



US00D468000S

(12) **United States Design Patent**
Czerwinski, Jr.

(10) **Patent No.:** **US D468,000 S**

(45) **Date of Patent:** **** Dec. 31, 2002**

(54) **FAUCET HANDLE**

(75) **Inventor:** **Jerome F. Czerwinski, Jr.**, Long Beach, CA (US)

(73) **Assignee:** **Emhart LLC**, Newark, DE (US)

(**) **Term:** **14 Years**

(21) **Appl. No.:** **29/152,736**

(22) **Filed:** **Dec. 21, 2001**

(51) **LOC (7) Cl.** **23-01**

(52) **U.S. Cl.** **D23/252**

(58) **Field of Search** D23/238-257;
D8/300-308, 350-354; 4/675-678; 137/801

(56) **References Cited**

U.S. PATENT DOCUMENTS

D297,357 S	8/1988	Spangler	
D299,739 S	2/1989	Kohler, Jr. et al.	
D362,489 S	9/1995	Moon	
D371,430 S	7/1996	Moon	
D387,136 S	12/1997	Oswaks et al.	
D387,137 S	12/1997	Donahue et al.	
D389,229 S	1/1998	Kolada	
D390,922 S	* 2/1998	Oswarks et al. D23/252
D397,412 S	8/1998	Slothower et al.	
D405,518 S	2/1999	Kesti et al.	
D407,465 S	3/1999	Ko	
D410,737 S	6/1999	Gottwald	
D413,965 S	* 9/1999	Ko D23/252

D422,342 S	*	4/2000	Mark et al.	D23/238
D423,645 S		4/2000	Fabian		
D427,665 S		7/2000	Fabian et al.		
D433,734 S		11/2000	Spangler		
D434,117 S		11/2000	Spangler		
D436,830 S	*	1/2001	Nesseth	D8/302

* cited by examiner

Primary Examiner—Louis S. Zarfes

Assistant Examiner—Gregory Andoll

(74) *Attorney, Agent, or Firm*—Richard J. Veltman; John D. Del Ponti

(57) **CLAIM**

The ornamental design for a faucet handle, as shown.

DESCRIPTION

FIG. 1 is a perspective view of the new design for a faucet handle;

FIG. 2 is a front elevational view of the new design for a faucet handle;

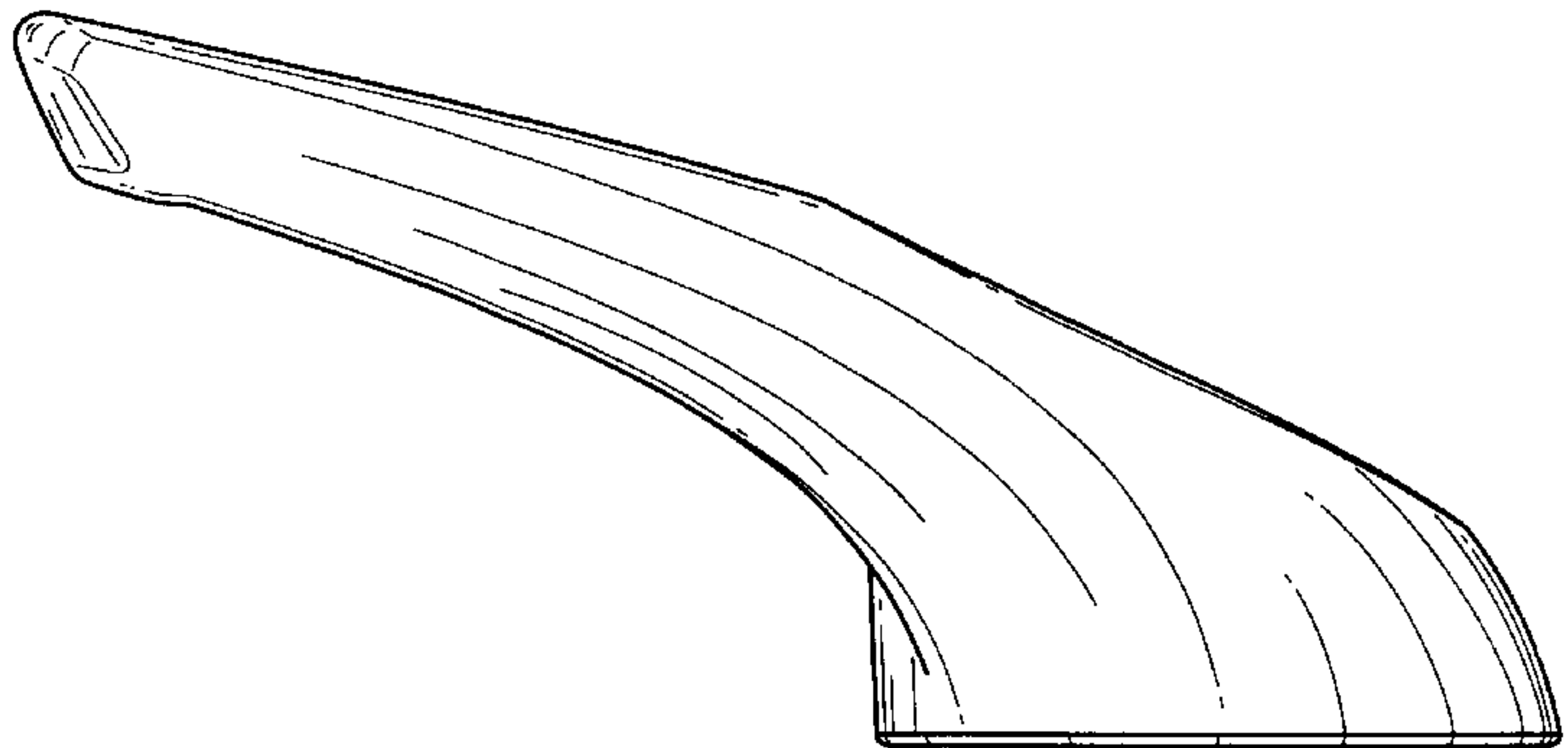
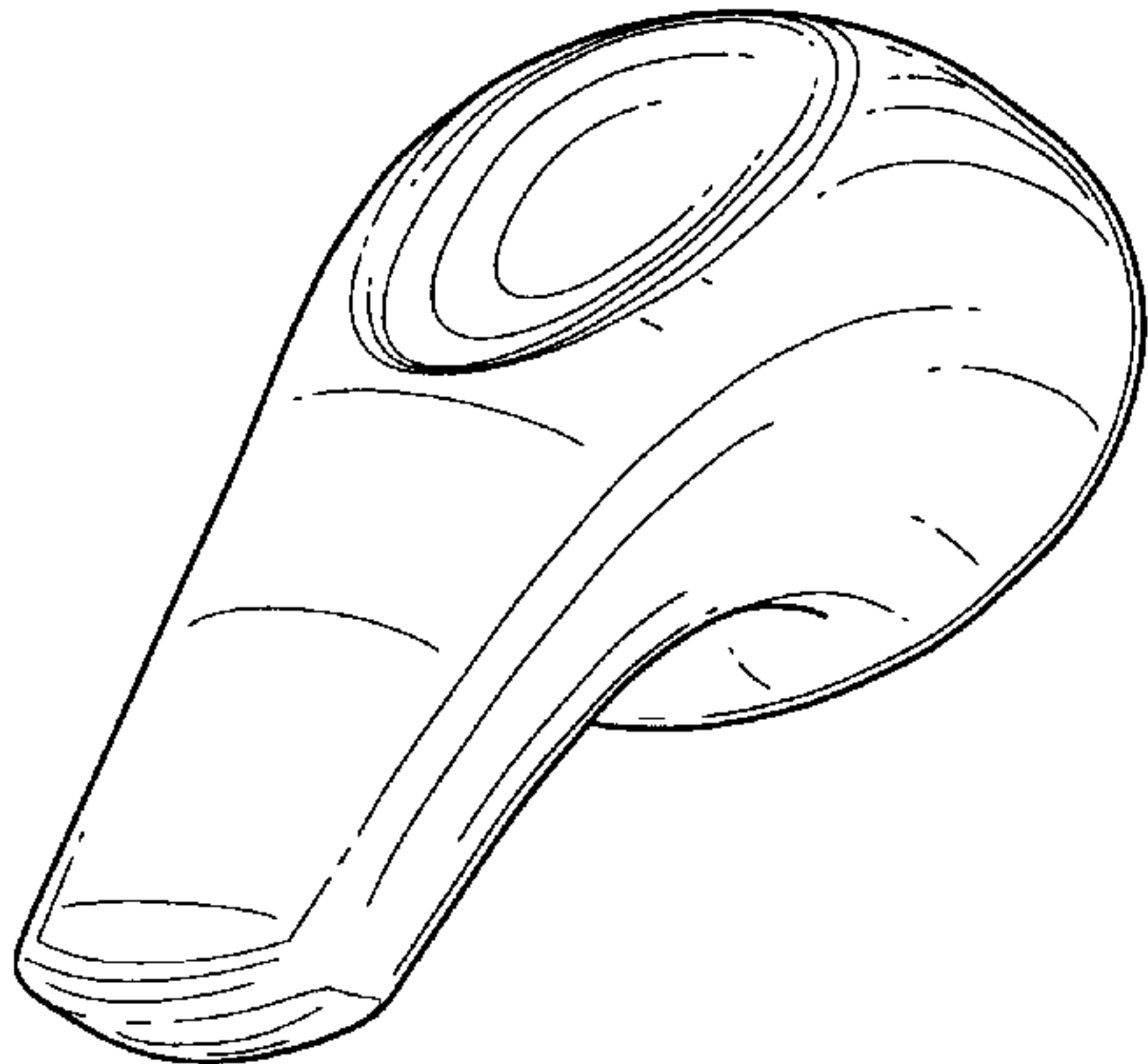
FIG. 3 is a top plan view of the new design for a faucet handle;

FIG. 4 is a bottom plan view of the new design for a faucet handle;

FIG. 5 is a right side elevational view of the new design for a faucet handle, the left side elevational view being a mirror image; and,

FIG. 6 is a rear elevational view of the new design for a faucet handle.

1 Claim, 6 Drawing Sheets



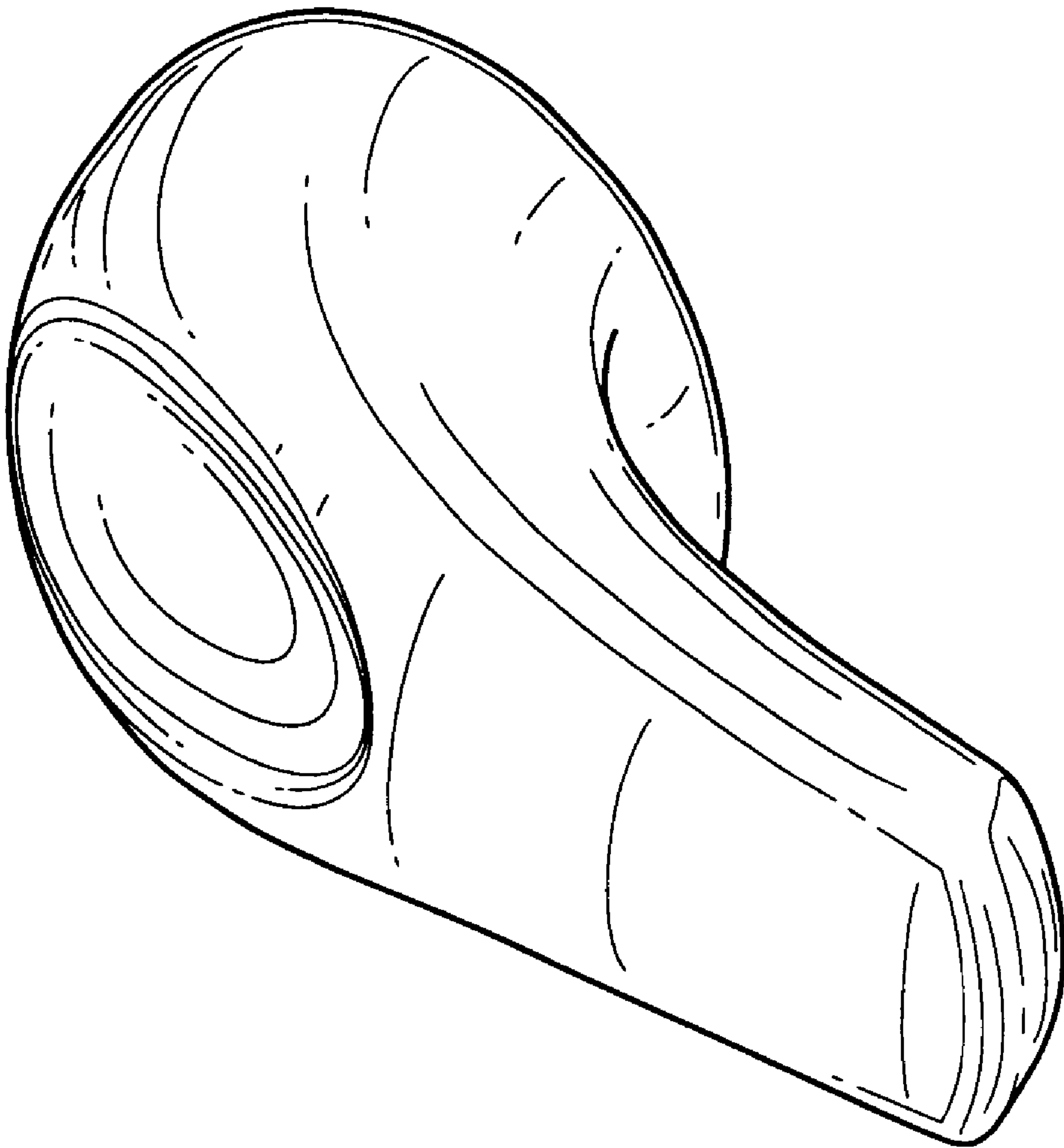


FIG. 1

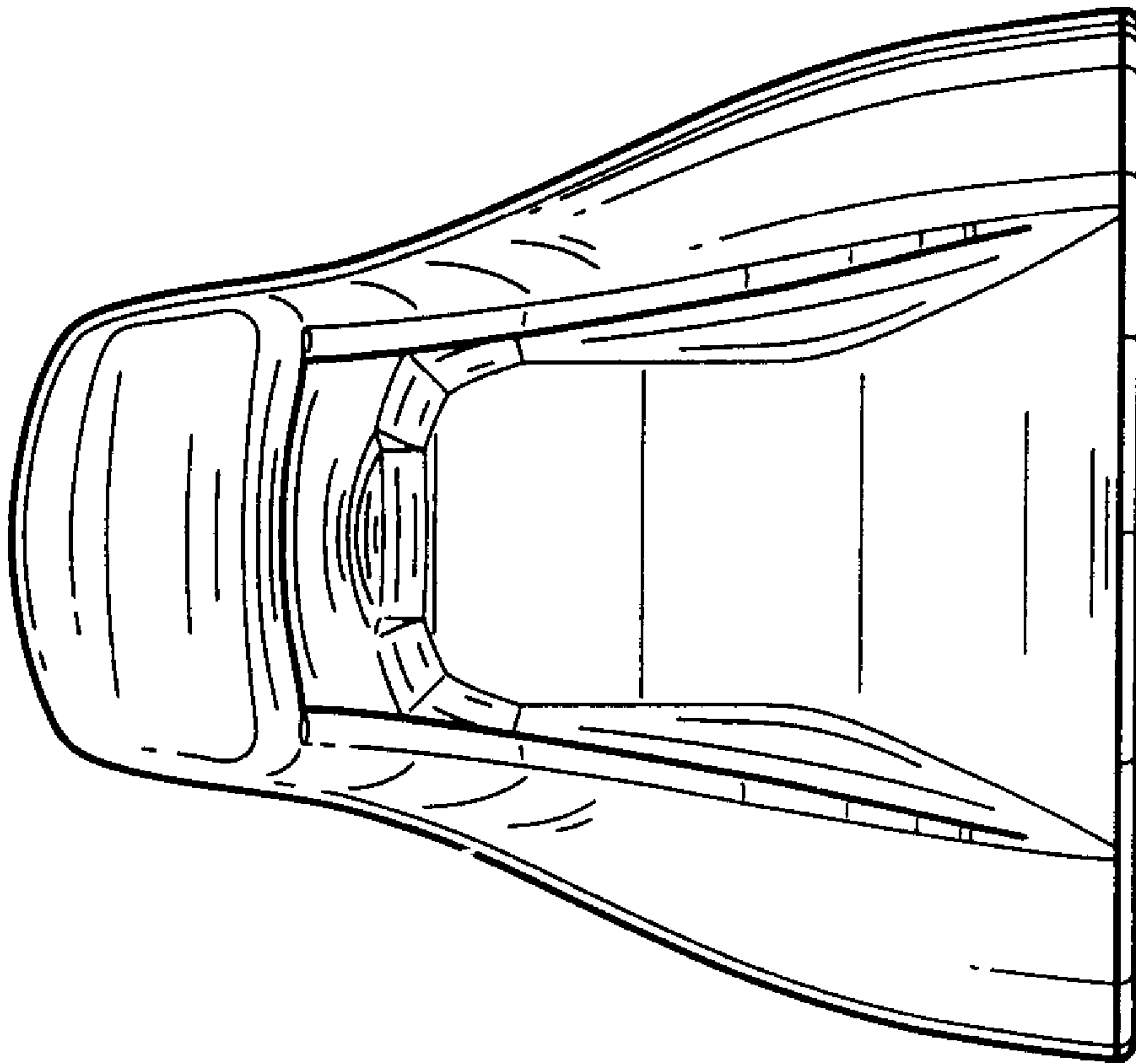


FIG. 2

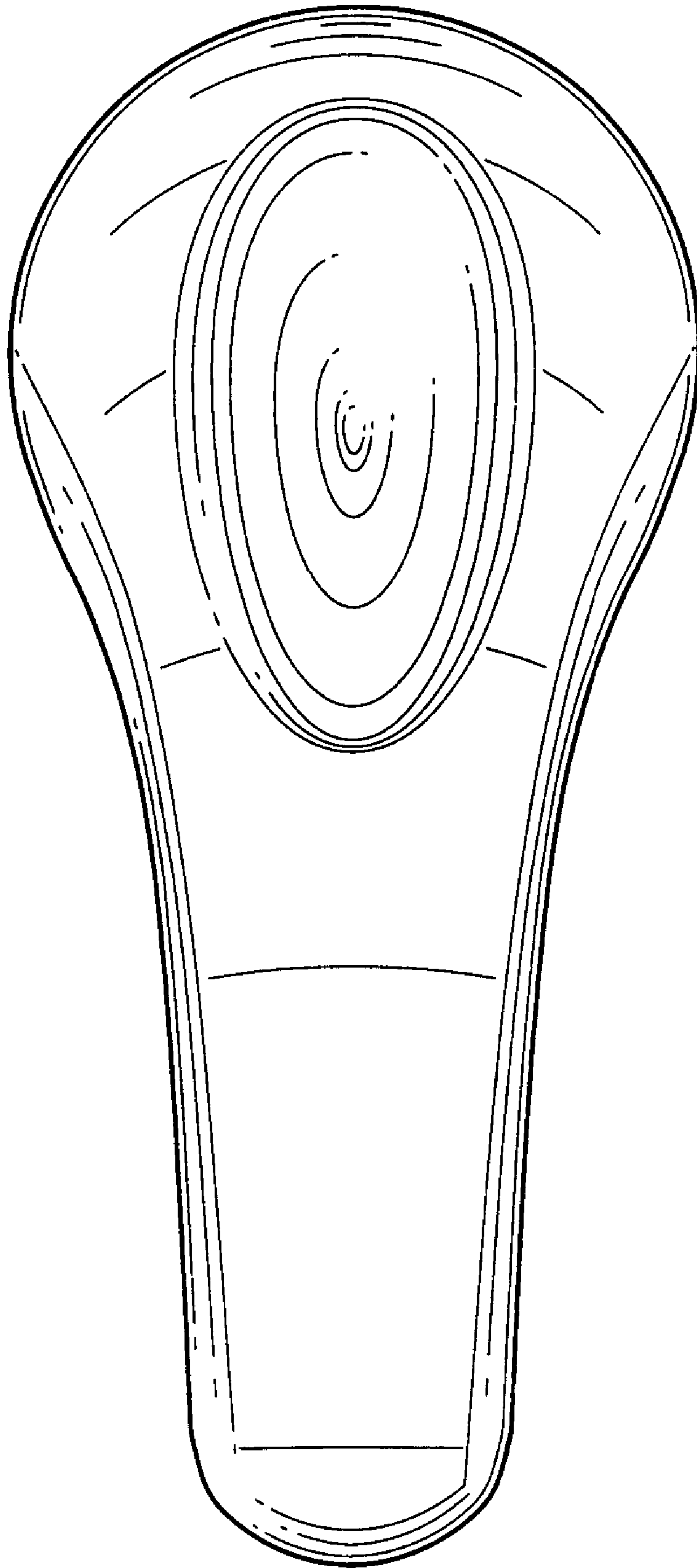


FIG. 3

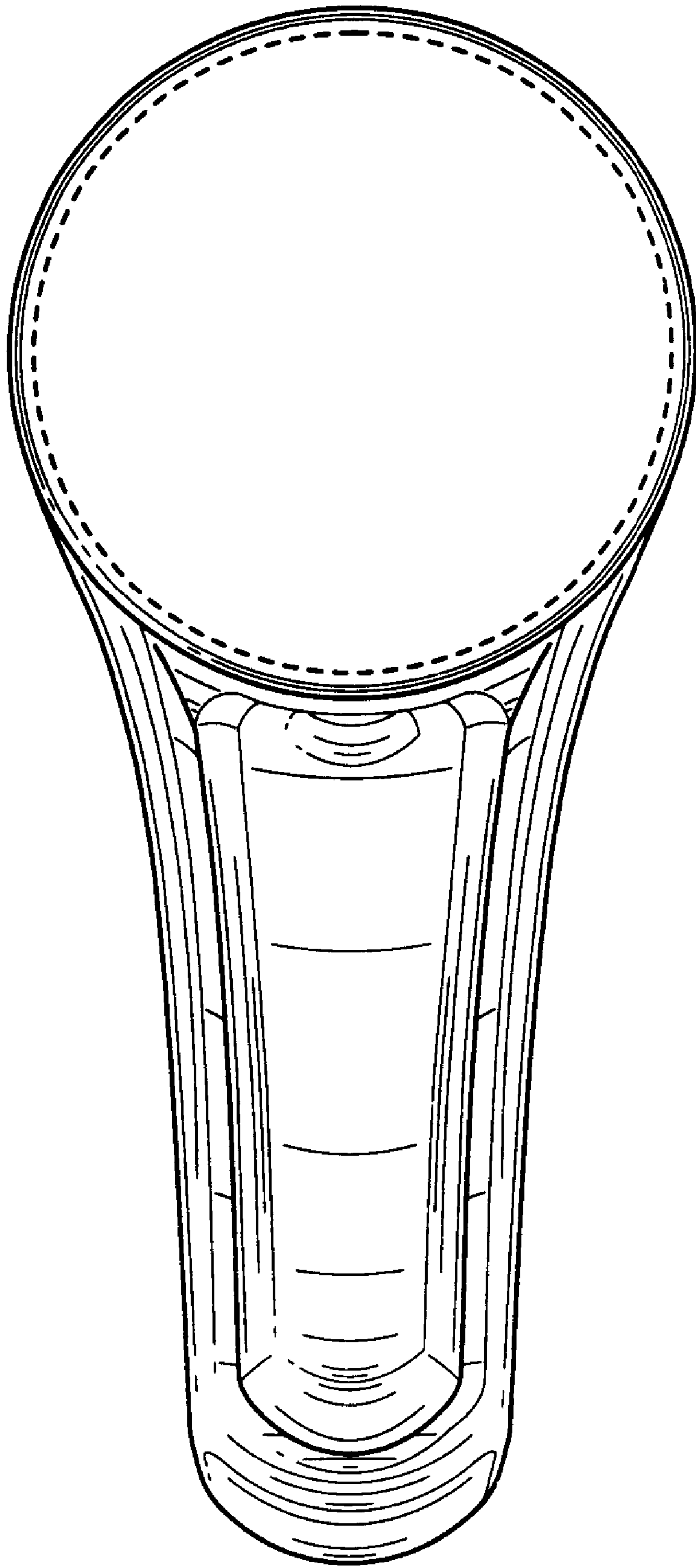


FIG. 4

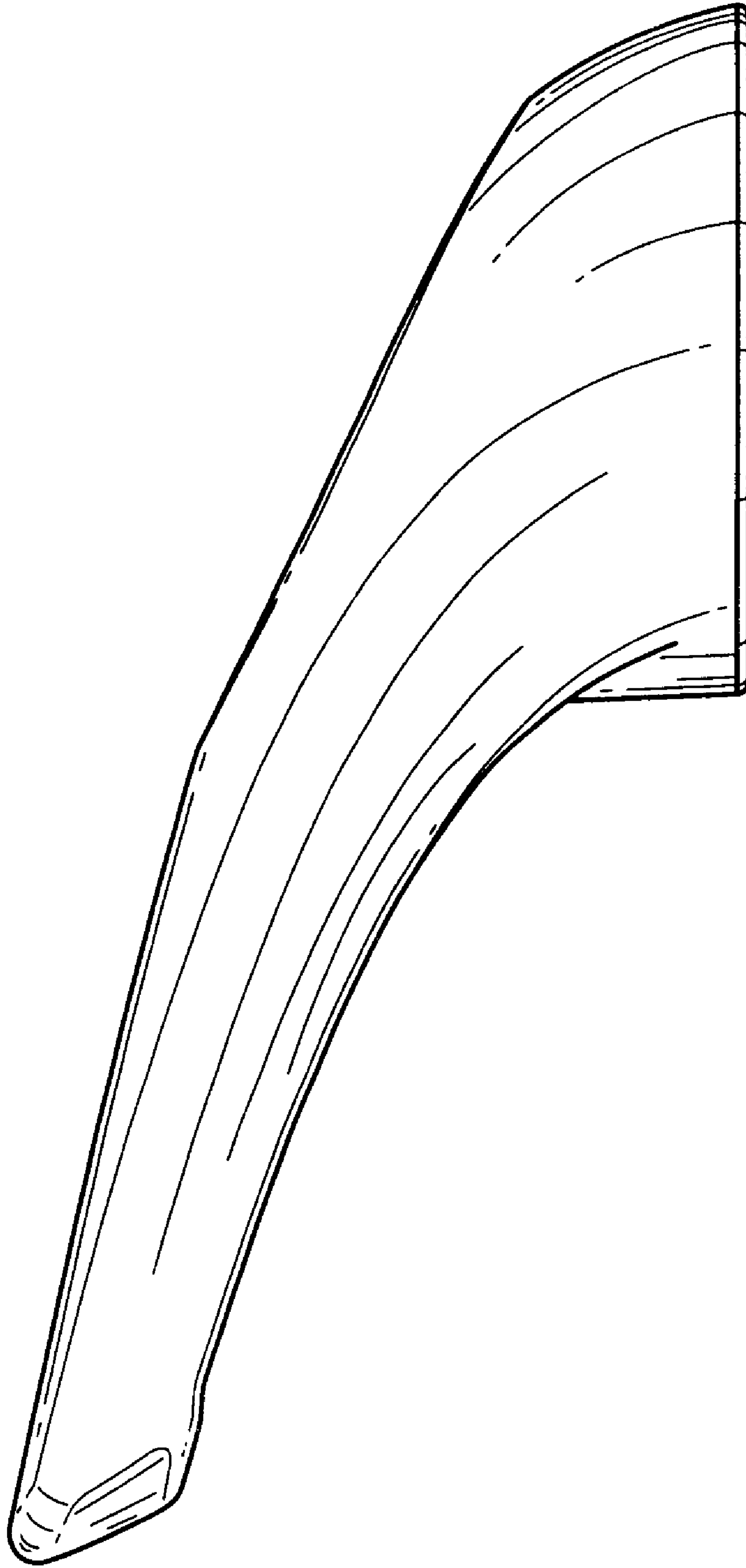


FIG. 5

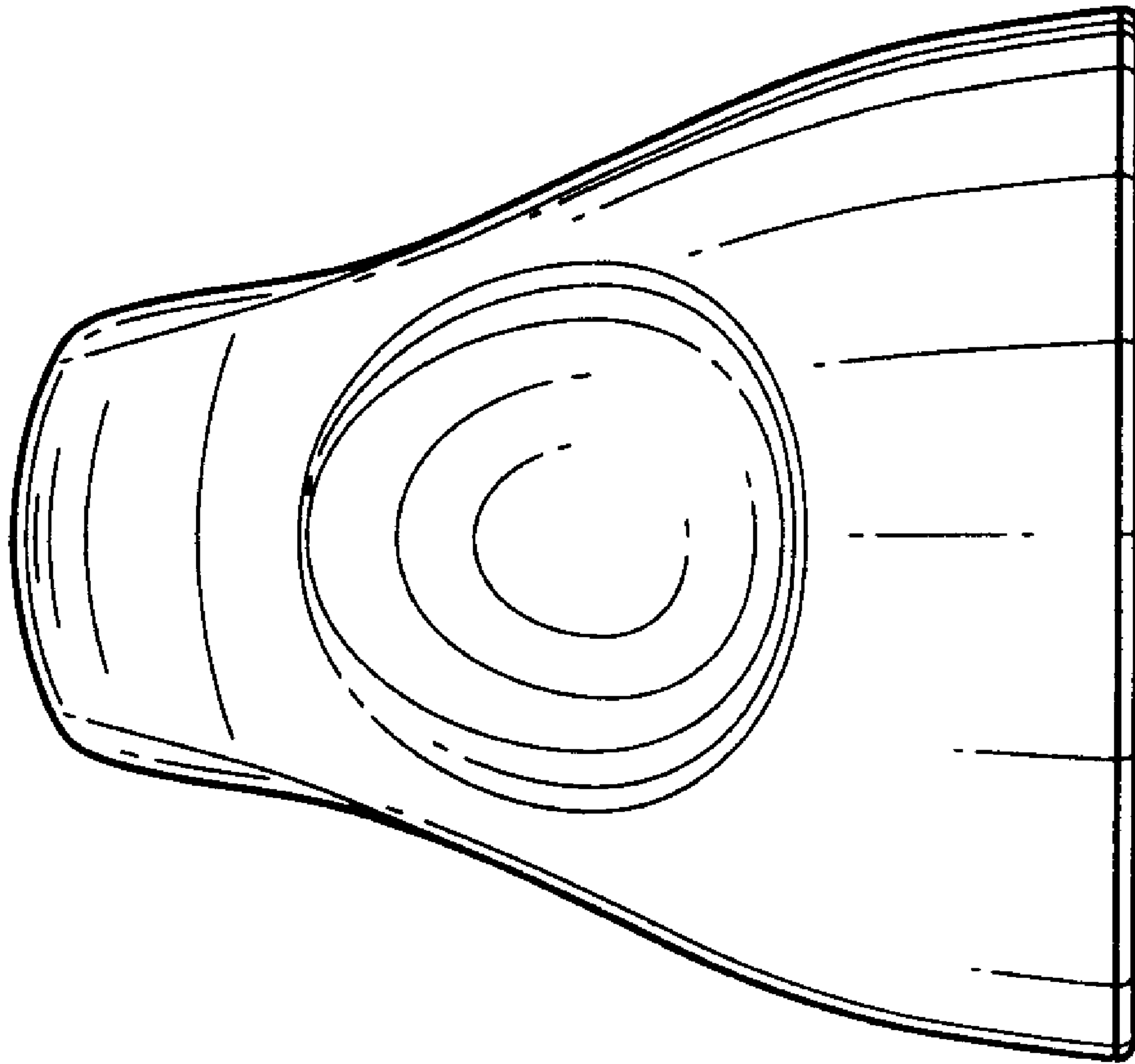


FIG. 6