



US00D467999S

(12) **United States Design Patent**
Panis et al.

(10) **Patent No.:** **US D467,999 S**

(45) **Date of Patent:** **** *Dec. 31, 2002**

(54) **FAUCET**

(75) Inventors: **Pierre-Yves Panis**, North Olmsted, OH (US); **Douglas A. Kemp**, North Ridgeville, OH (US); **Michael J. Painter**, Columbus, OH (US); **Sean W. Svendsen**, Columbus, OH (US)

(73) Assignee: **Moen Incorporated**, North Olmsted, OH (US)

(*) Notice: This patent is subject to a terminal disclaimer.

(**) Term: **14 Years**

(21) Appl. No.: **29/159,127**

(22) Filed: **Apr. 15, 2002**

(51) **LOC (7) Cl.** **23-01**

(52) **U.S. Cl.** **D23/242; D23/241**

(58) **Field of Search** **D23/238-243, D23/250-257; 4/675-678; 137/801**

(56) **References Cited**

U.S. PATENT DOCUMENTS

975,663 A * 11/1910 Watrous 4/677

D87,328 S * 7/1932 Brotz D23/238

D280,008 S * 8/1985 Miller et al. D23/241

D378,230 S * 2/1997 Doughty et al. D23/241

D409,288 S * 5/1999 Hyde D23/250

D426,873 S * 6/2000 Milrud et al. D23/255

* cited by examiner

Primary Examiner—Louis S. Zarfaz

Assistant Examiner—Gregory Andoll

(74) *Attorney, Agent, or Firm*—Cook, Alex, McFarron, Manzo, Cummings & Mehler, Ltd.

(57) **CLAIM**

The ornamental design for a faucet, as shown and described.

DESCRIPTION

FIG. 1 is a front perspective view of our new design for a faucet;

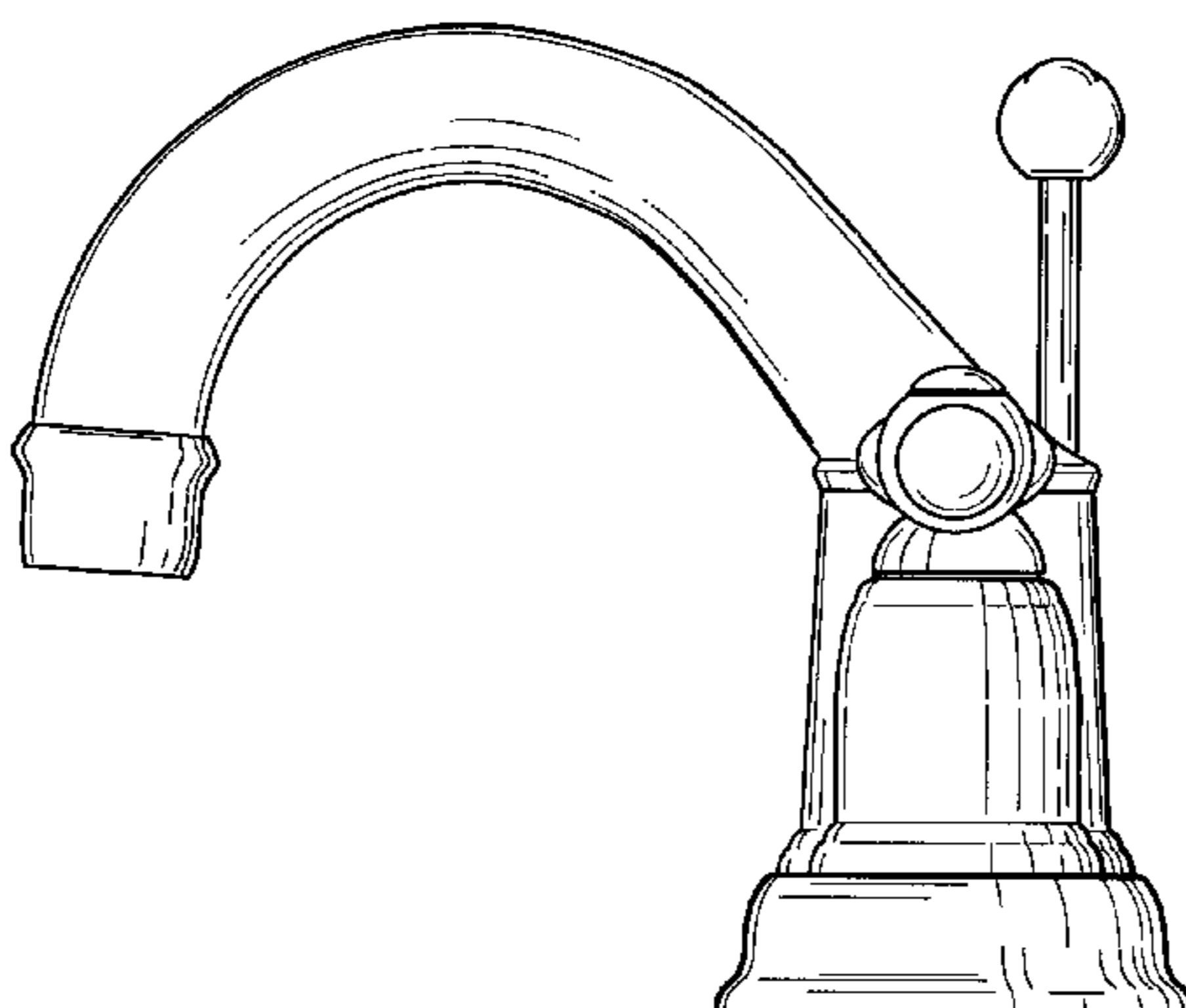
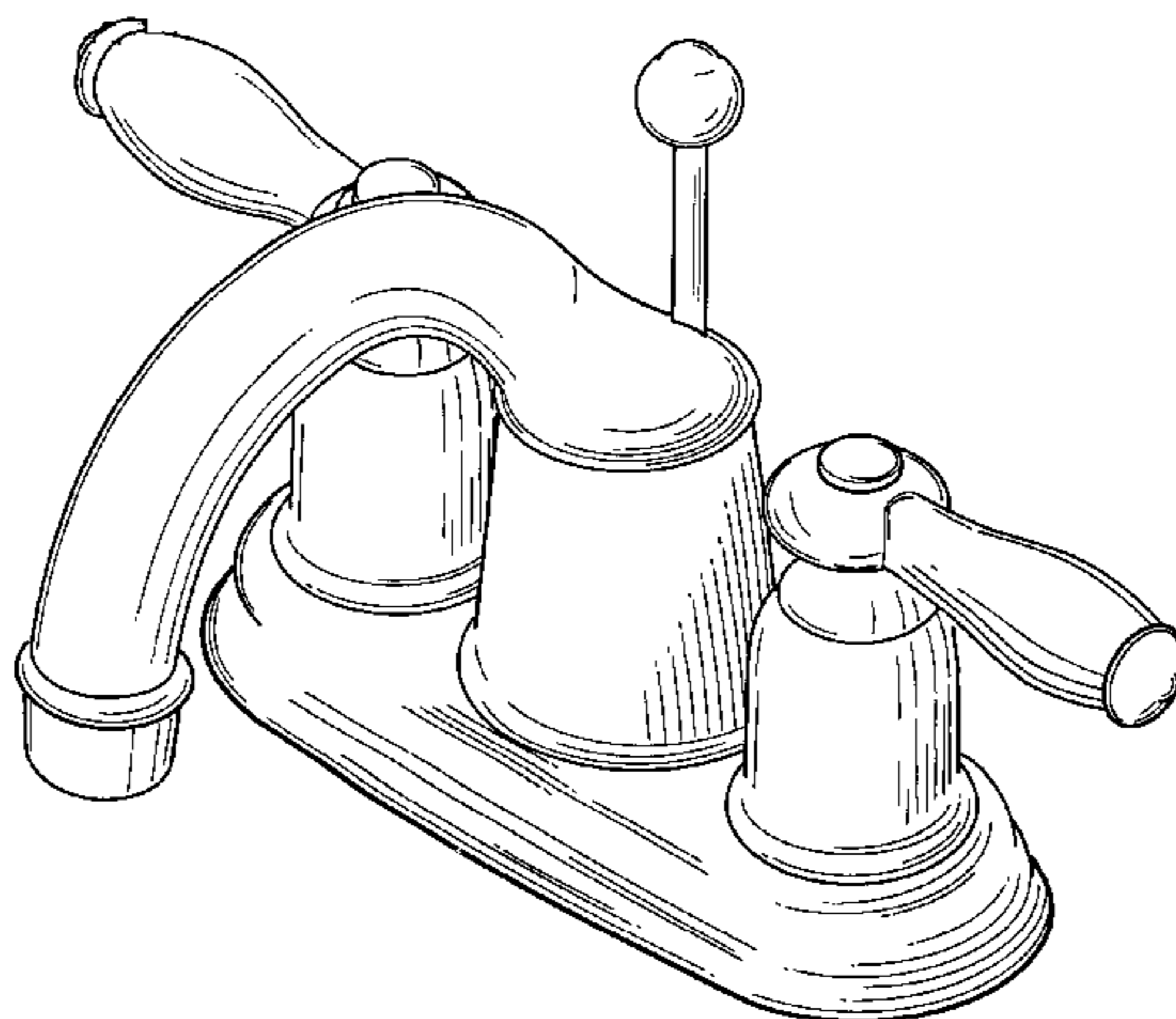
FIG. 2 is a right side view thereof, the left side being a mirror image of the right side;

FIG. 3 is a front view thereof;

FIG. 4 is a top view thereof; and,

FIG. 5 is a rear view thereof.

1 Claim, 3 Drawing Sheets



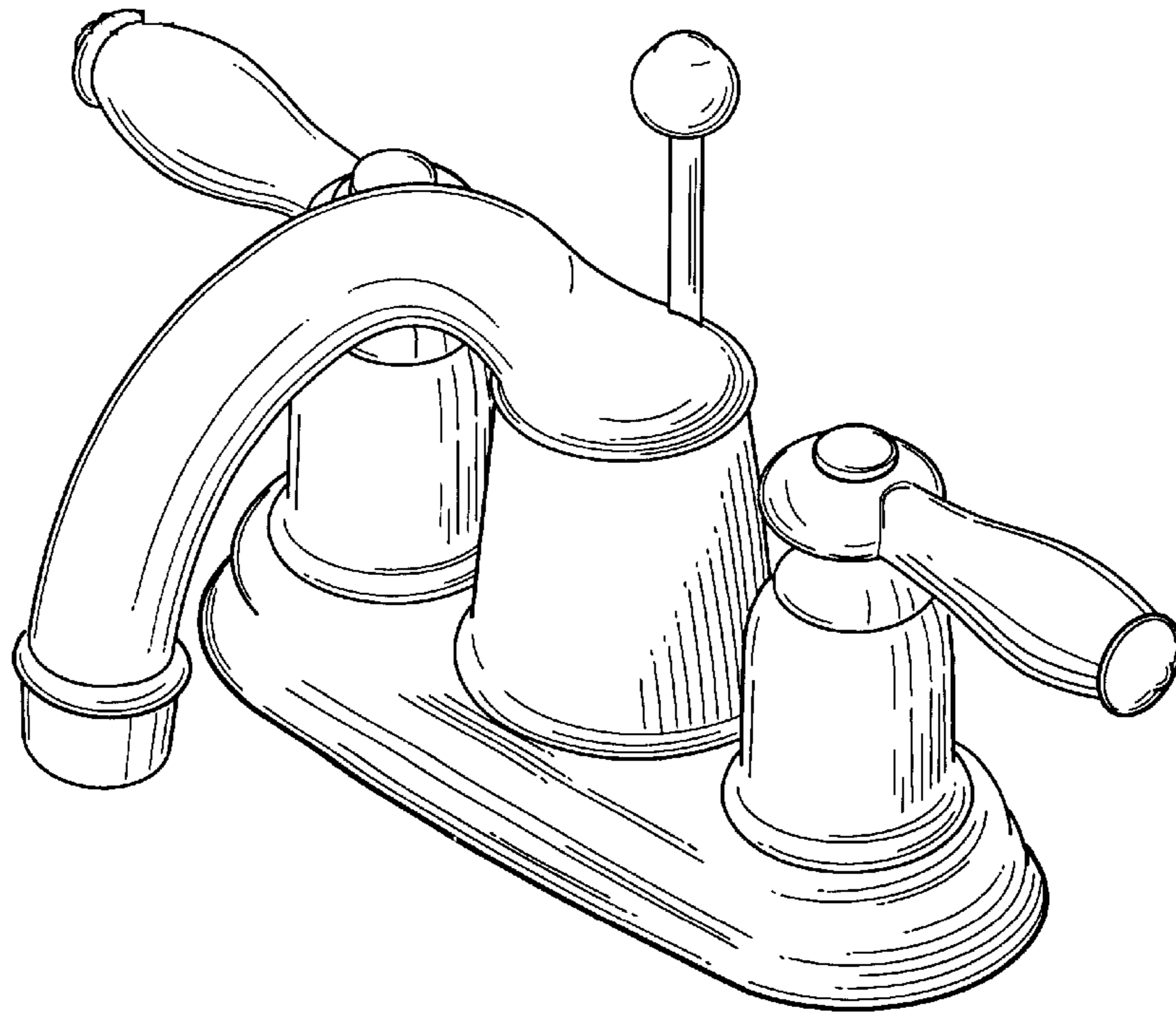


Fig. 1

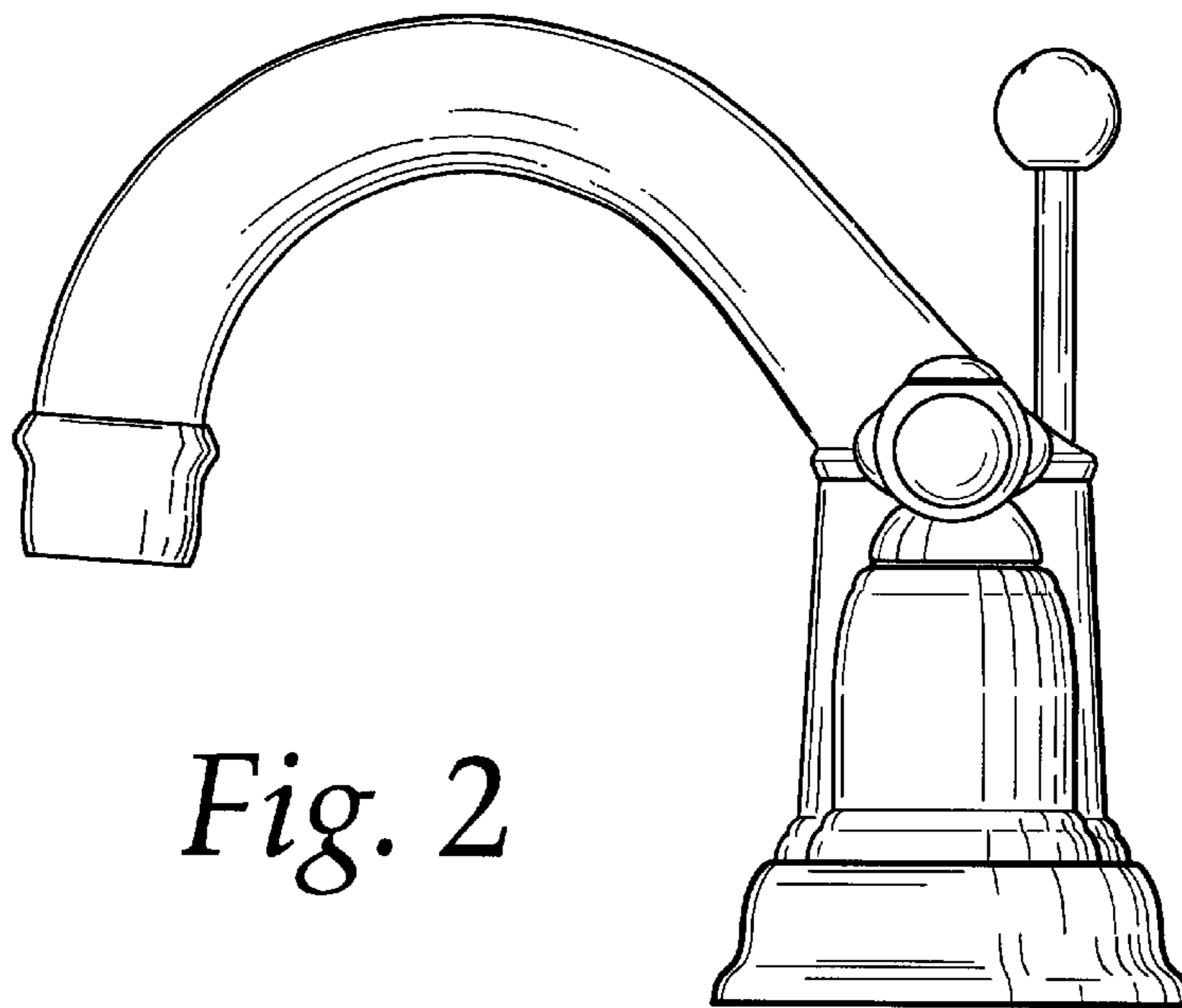


Fig. 2

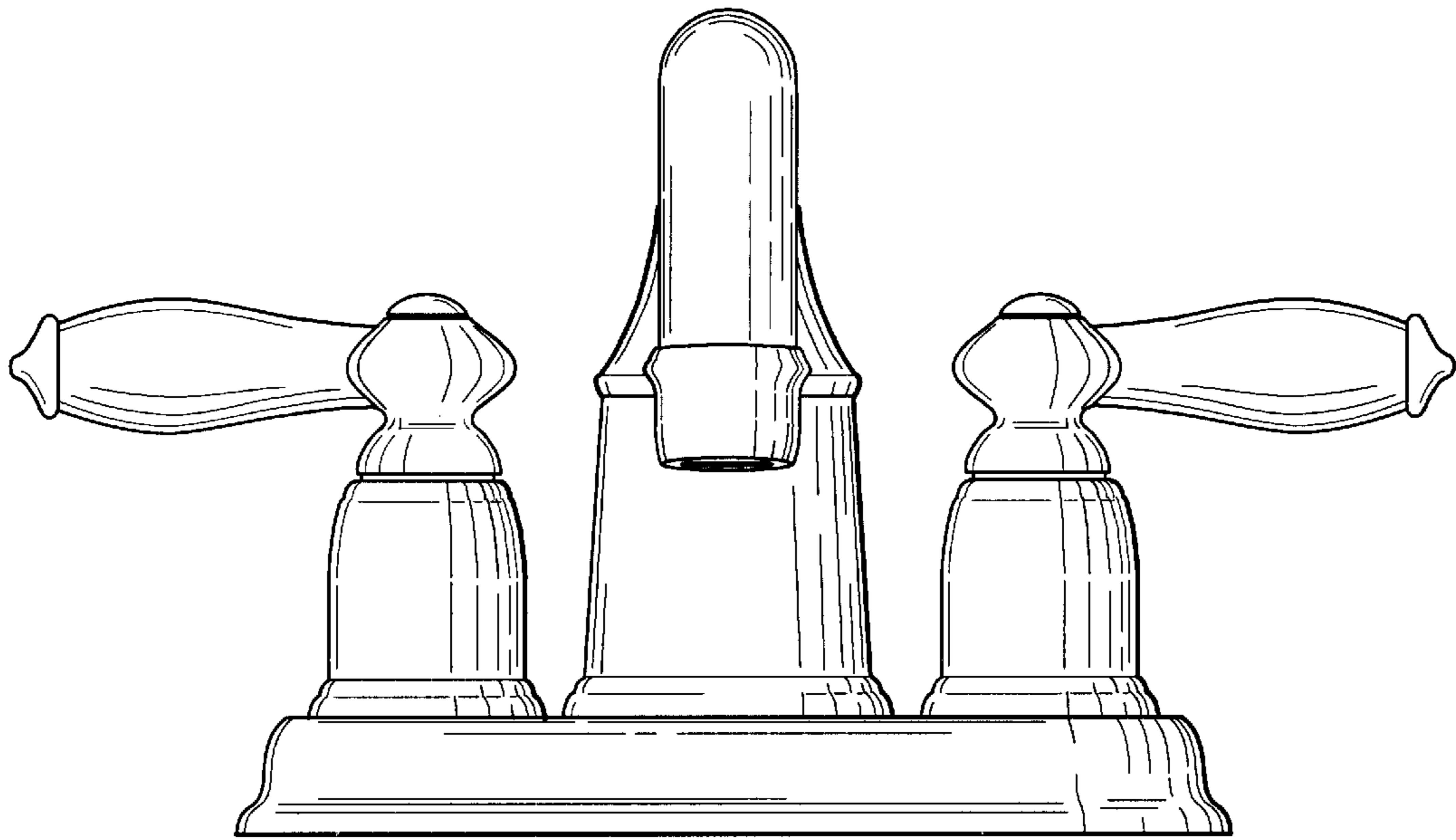


Fig. 3

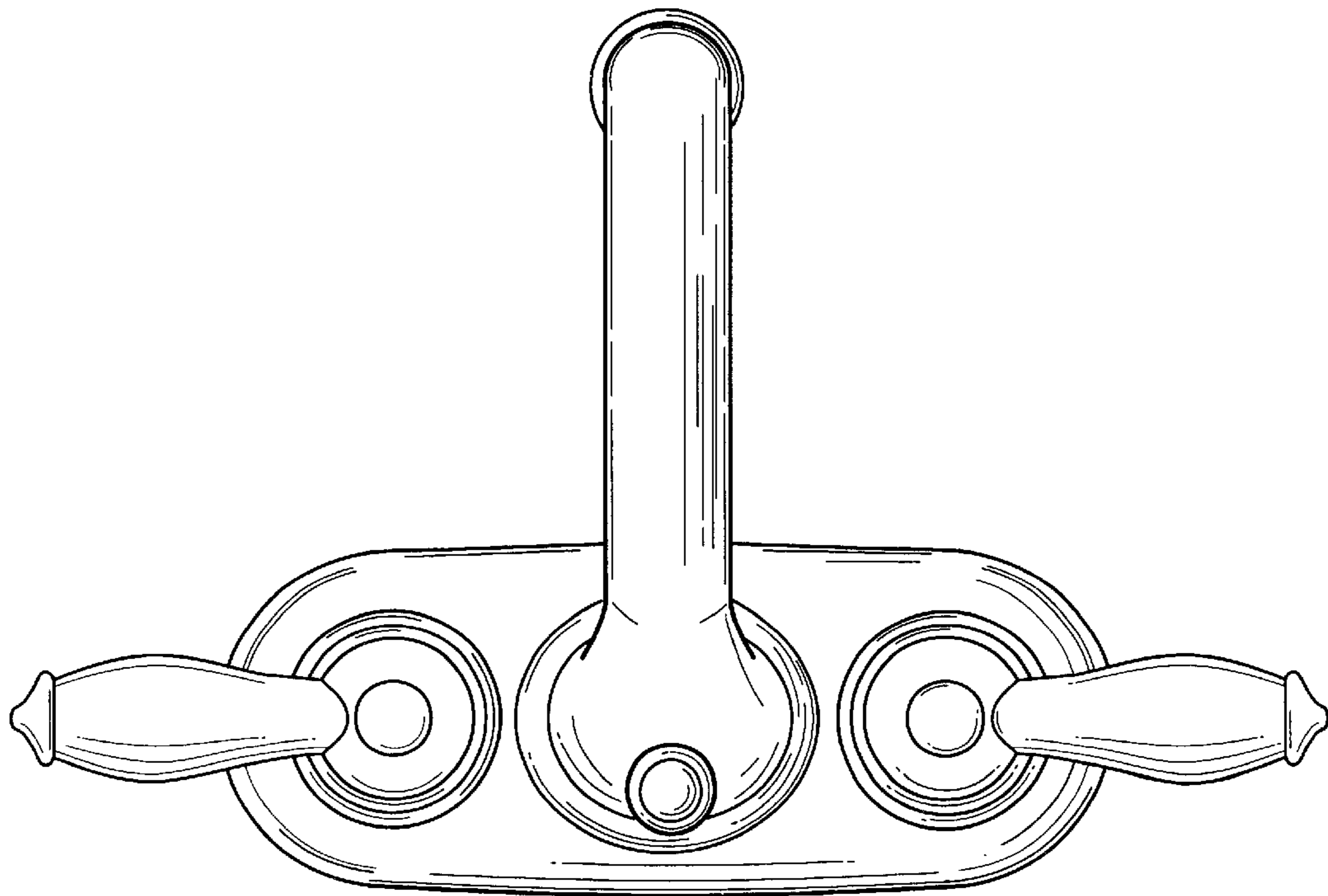


Fig. 4

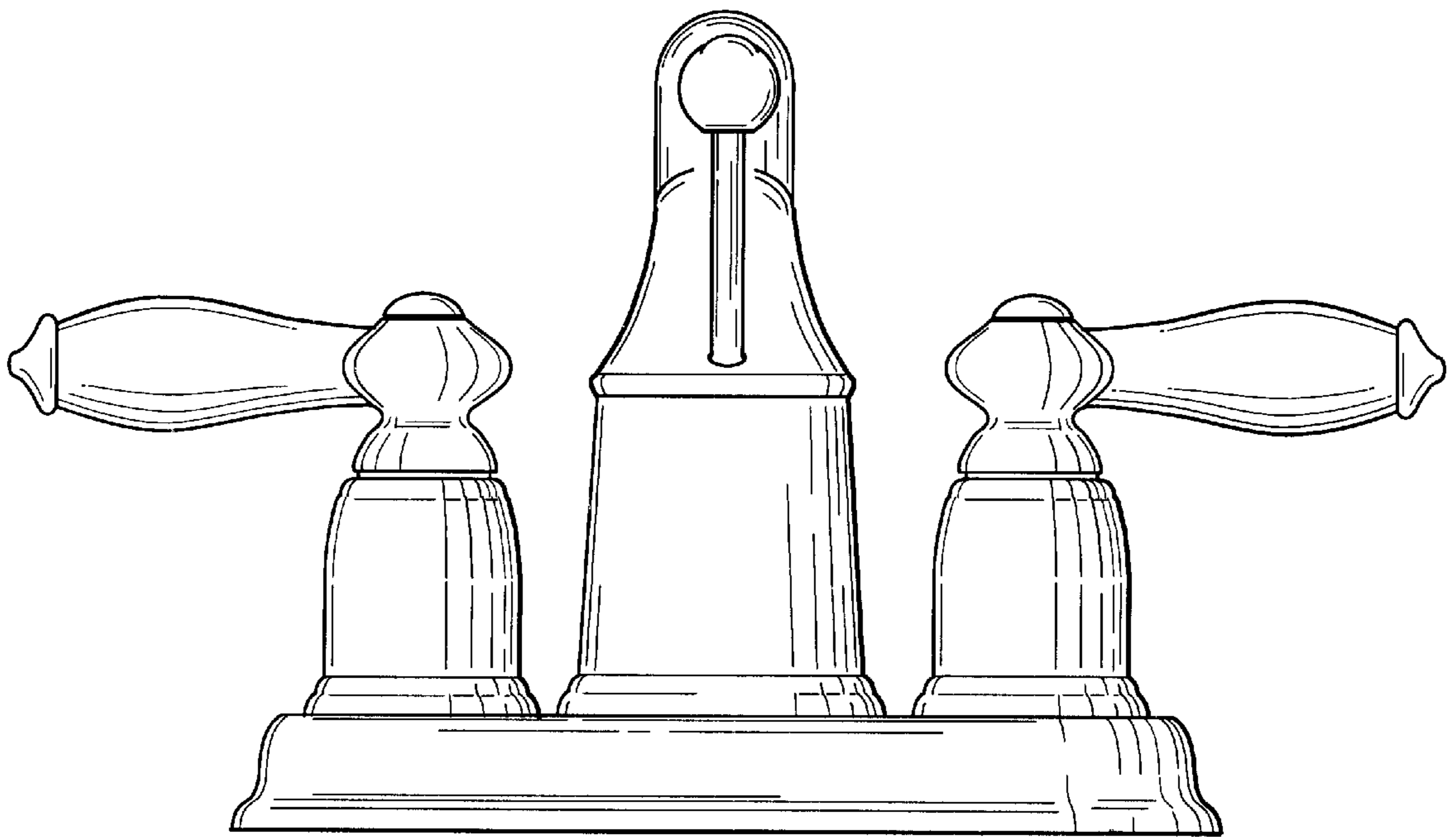


Fig. 5