



US00D467998S

(12) **United States Design Patent**  
**Panis et al.**

(10) **Patent No.:** **US D467,998 S**

(45) **Date of Patent:** **\*\* Dec. 31, 2002**

(54) **FAUCET**

(75) **Inventors:** **Pierre-Yves Panis**, North Olmsted, OH (US); **Douglas A. Kemp**, North Ridgeville, OH (US); **Michael J. Painter**, Columbus, OH (US); **Sean W. Svendsen**, Columbus, OH (US)

(73) **Assignee:** **Moen Incorporated**, North Olmsted, OH (US)

(\*\*) **Term:** **14 Years**

(21) **Appl. No.:** **29/159,086**

(22) **Filed:** **Apr. 15, 2002**

(51) **LOC (7) Cl.** ..... **23-01**

(52) **U.S. Cl.** ..... **D23/242**

(58) **Field of Search** ..... D23/238-243,  
D23/250-257; 4/675-678; 137/801

(56) **References Cited**

**U.S. PATENT DOCUMENTS**

D59,399 S	10/1921	Wuesthoff	
D202,095 S	* 8/1965	Kelly	..... D23/255
D263,991 S	* 4/1982	Fleischmann et al.	..... D23/257
D285,597 S	9/1986	Miller et al.	
D289,318 S	4/1987	Yost	
D290,496 S	6/1987	Ryan	
D293,362 S	* 12/1987	Hill et al.	..... D23/241
D299,161 S	12/1988	Frattini	
D314,813 S	2/1991	Jans	
D317,196 S	5/1991	Robbins	
D318,906 S	8/1991	Spangler	
D332,135 S	12/1992	Bonnell	
D350,390 S	9/1994	Bollenbacher	

D356,631 S	3/1995	Kolada	
D357,526 S	4/1995	Jans	
D363,974 S	11/1995	Doughty et al.	
D366,517 S	1/1996	Doughty et al.	
D368,302 S	3/1996	Doughty et al.	
D377,516 S	* 1/1997	Doughty et al.	..... D23/241
D377,517 S	1/1997	Doughty et al.	
D378,230 S	2/1997	Doughty et al.	
D384,402 S	* 9/1997	Doughty et al.	..... D23/241
D390,921 S	2/1998	Steffes et al.	
D398,040 S	* 9/1998	Ko	..... D23/252
D406,318 S	* 3/1999	Lord	..... D23/241
D406,876 S	3/1999	Ko	
D406,880 S	3/1999	Doughty et al.	
D409,288 S	* 5/1999	Hyde	..... D23/250
D409,726 S	5/1999	Formgren	

(List continued on next page.)

*Primary Examiner*—Louis S. Zarfaz

*Assistant Examiner*—Gregory Andoll

(74) *Attorney, Agent, or Firm*—Cook, Alex, McFarron, Manzo, Cummings & Mehler, Ltd.

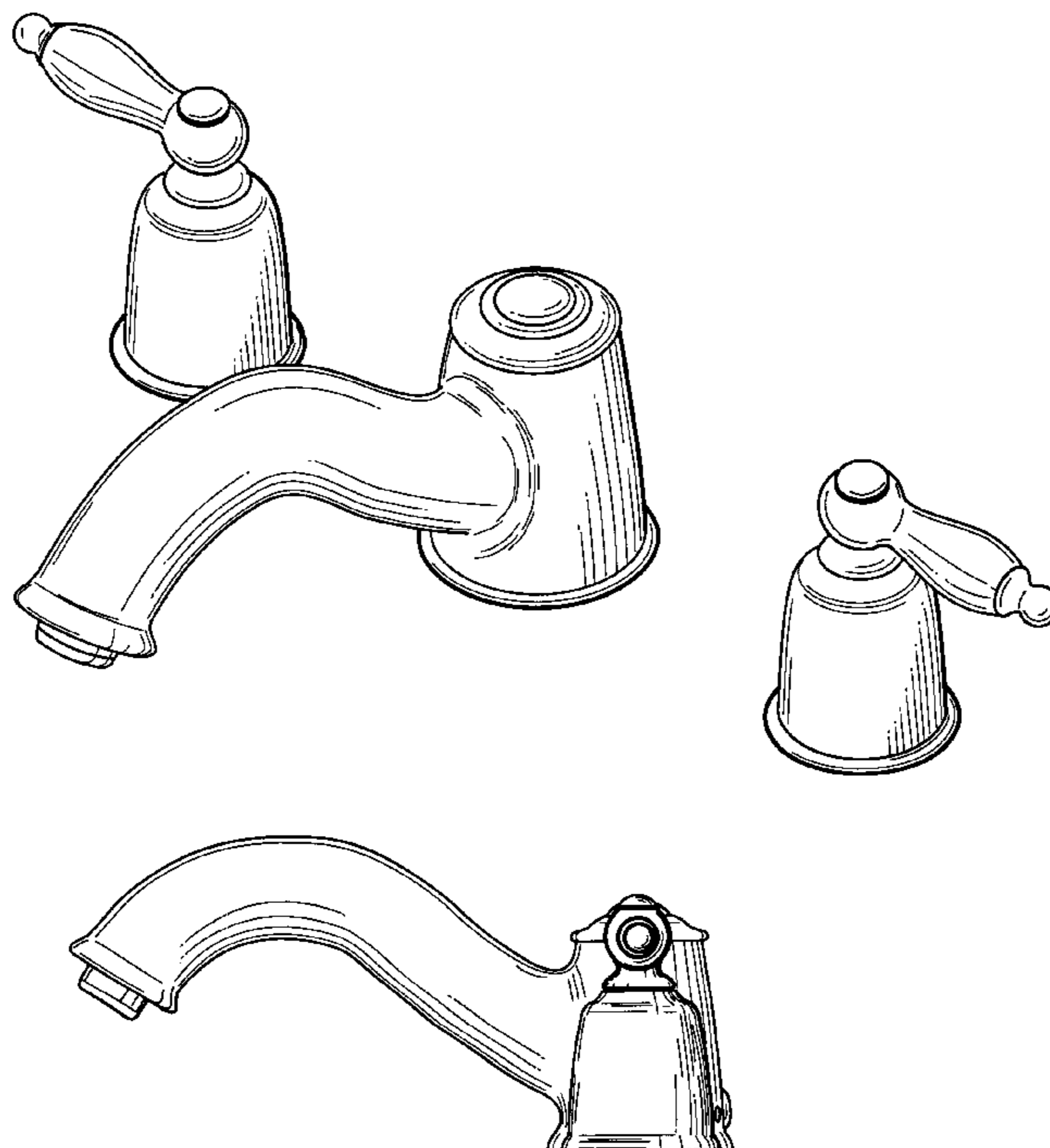
(57) **CLAIM**

The ornamental design for a faucet, as shown and described.

**DESCRIPTION**

FIG. 1 is a front perspective view of our new design for a faucet;  
FIG. 2 is a right side view thereof, the left side being a mirror image of the right side;  
FIG. 3 is a front view thereof;  
FIG. 4 is a top view thereof; and,  
FIG. 5 is a rear view thereof.

**1 Claim, 3 Drawing Sheets**



# US D467,998 S

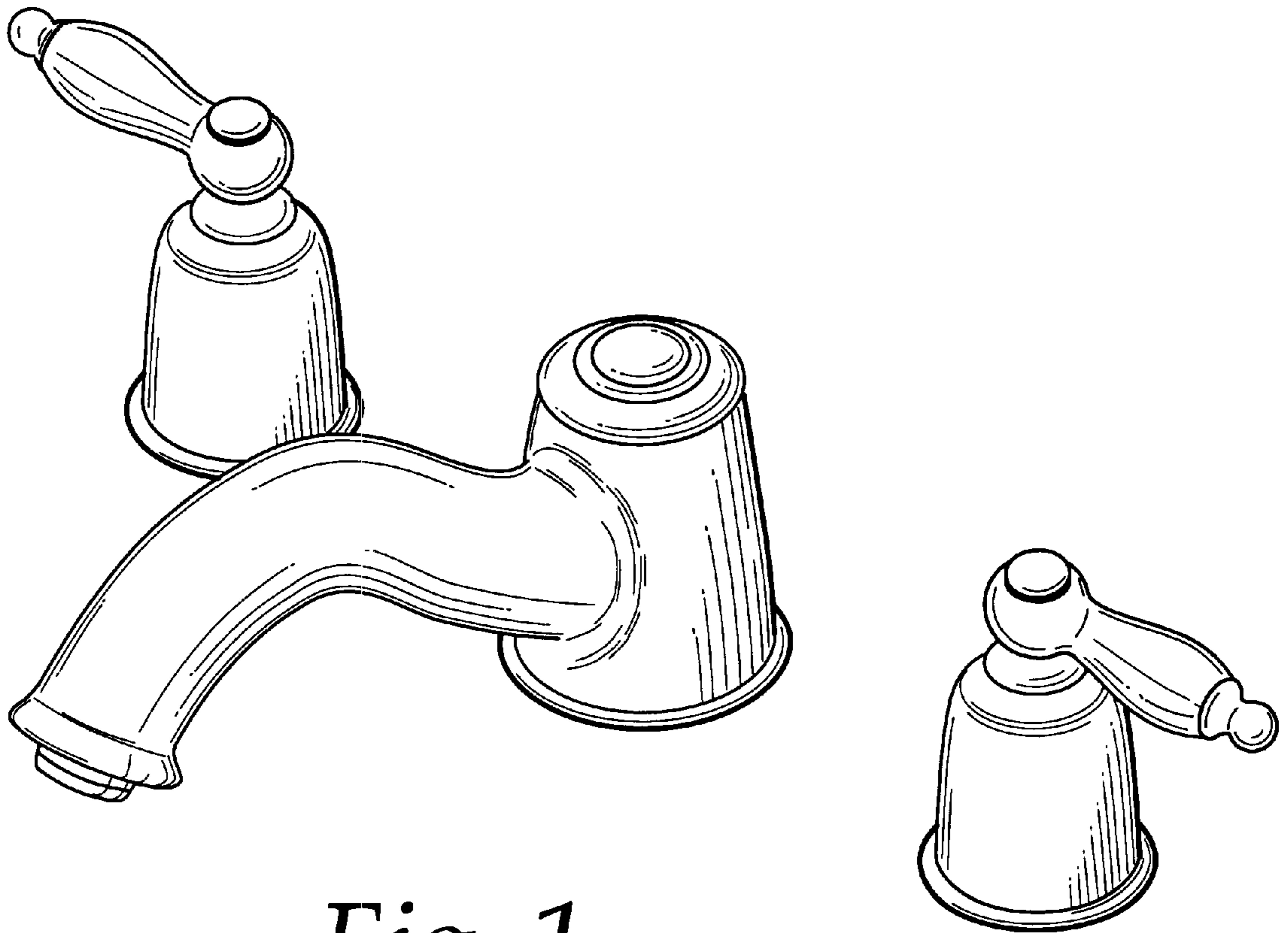
Page 2

---

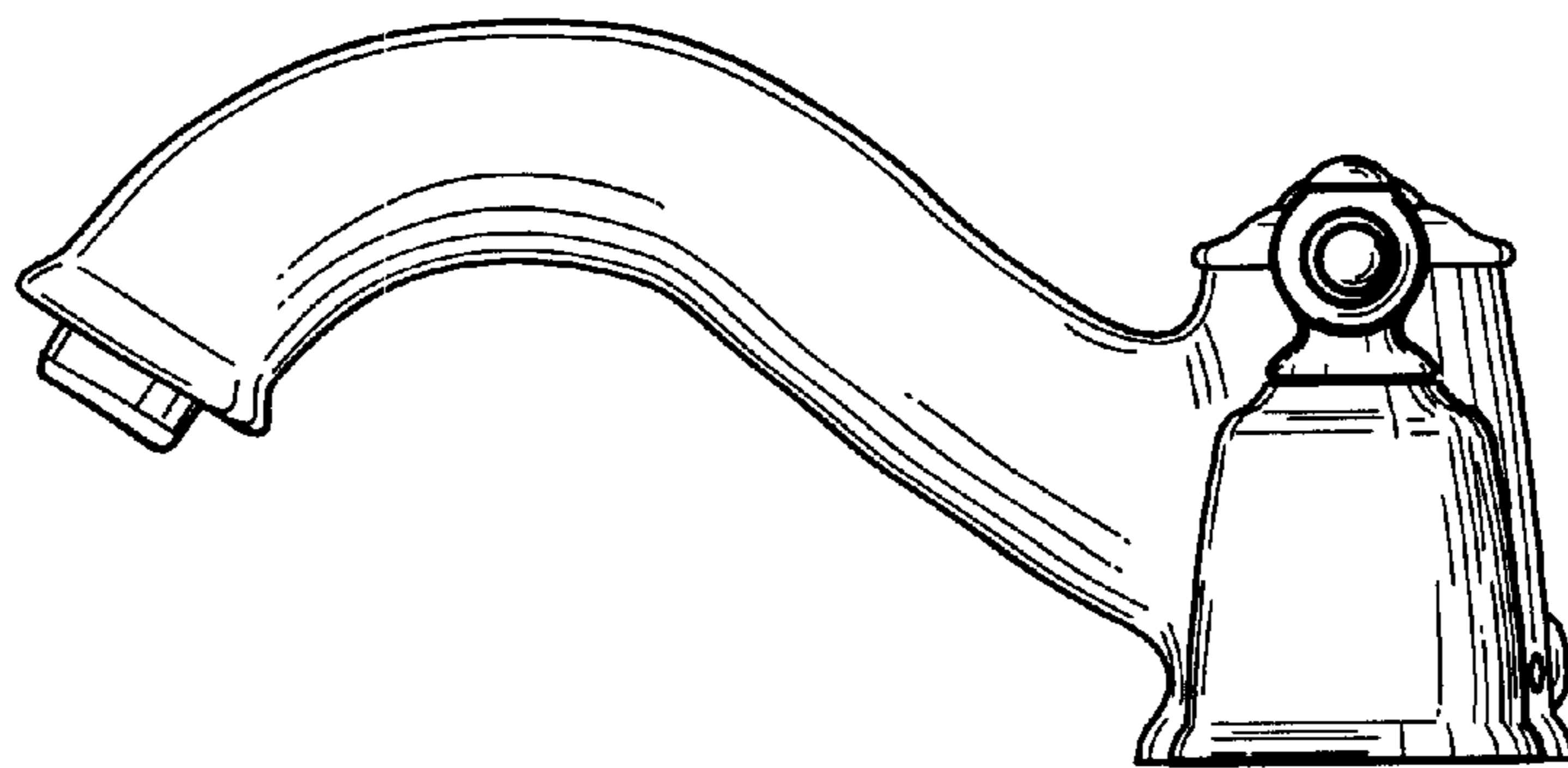
## U.S. PATENT DOCUMENTS

D412,025 S	7/1999	Mark et al.	D438,602 S	3/2001	Milrud et al.
D416,981 S	11/1999	Warshawsky et al.	D439,635 S	3/2001	Robbins
D416,982 S	11/1999	Warshawsky et al.	D440,633 S	4/2001	Fleischmann
D418,202 S	12/1999	Warshawsky et al.	D440,635 S	4/2001	Fleischmann
D418,578 S	1/2000	Warshawsky et al.	D441,428 S	5/2001	Donnell
D428,118 S	7/2000	McKeone	D441,434 S	5/2001	Dretzka
D430,269 S	8/2000	Lord	D443,031 S	5/2001	Strader et al.
D430,270 S	8/2000	Lord	D444,539 S	7/2001	Ker
D430,271 S	8/2000	Lord	D444,851 S	7/2001	Sturgeon
D430,648 S	9/2000	Lord	D444,856 S	7/2001	Green et al.
D430,920 S	9/2000	Lord	D445,880 S	7/2001	Wen
D431,281 S	9/2000	Lord	D446,843 S	8/2001	Martinez
D431,282 S	9/2000	Lord	D447,541 S	9/2001	Dretzka
D431,630 S	10/2000	Lord	D447,542 S	9/2001	Dretzka
D432,631 S	10/2000	Lord	D448,068 S	9/2001	Lord
D437,032 S	1/2001	Ko	D448,833 S	10/2001	Pitsch
D437,394 S	2/2001	Mark et al.			

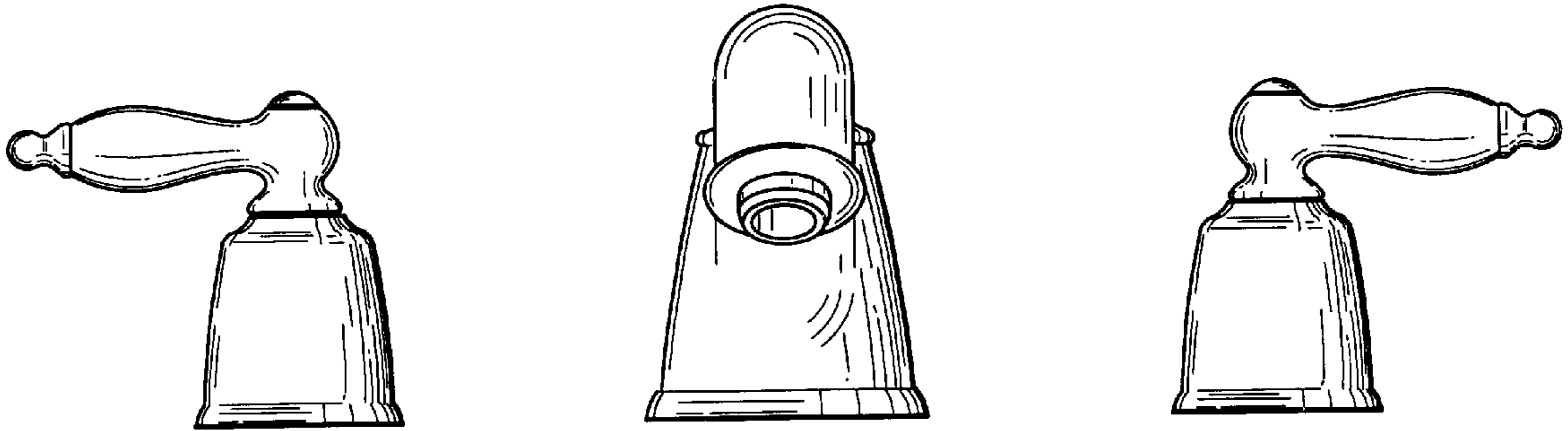
\* cited by examiner



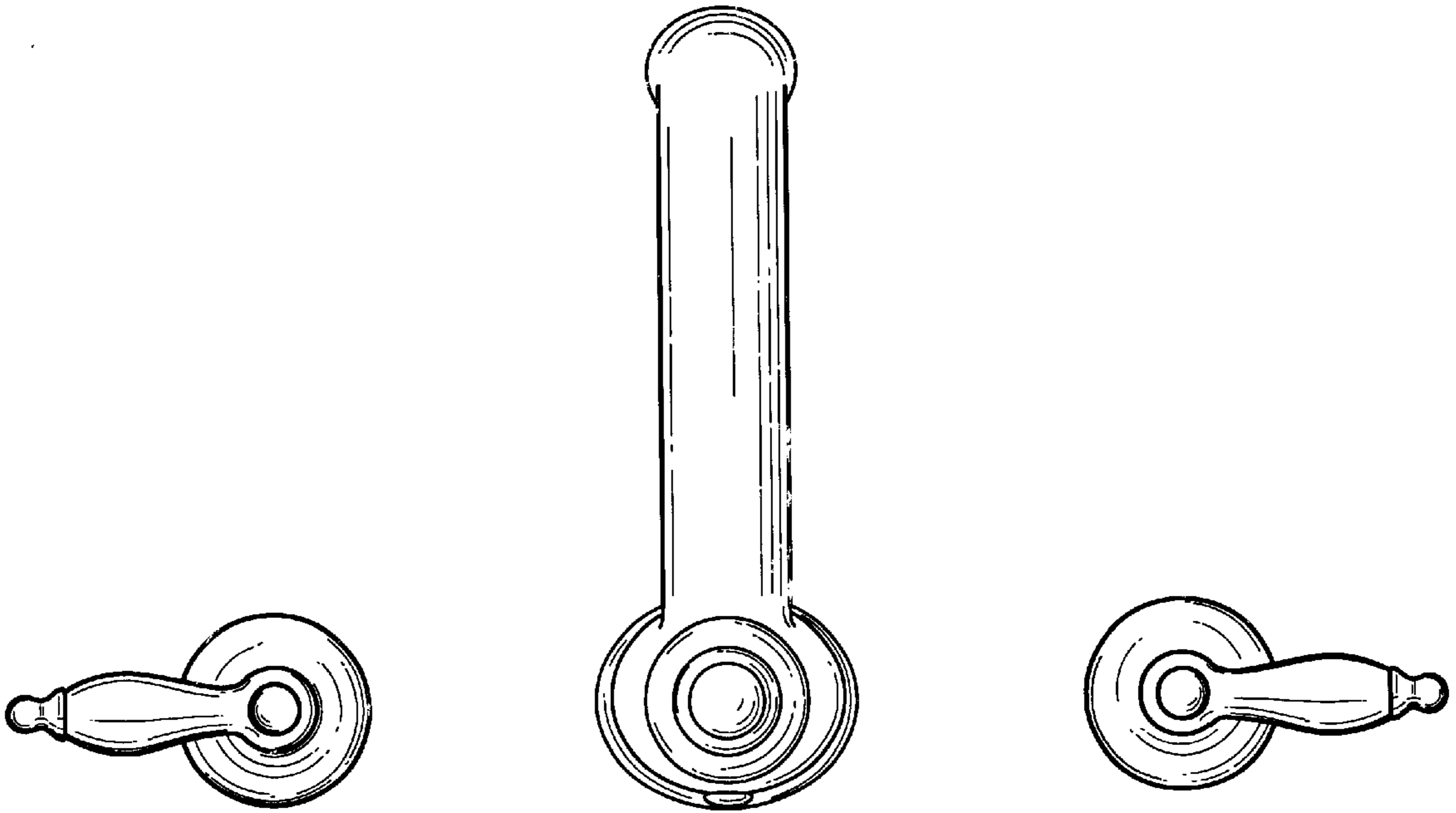
*Fig. 1*



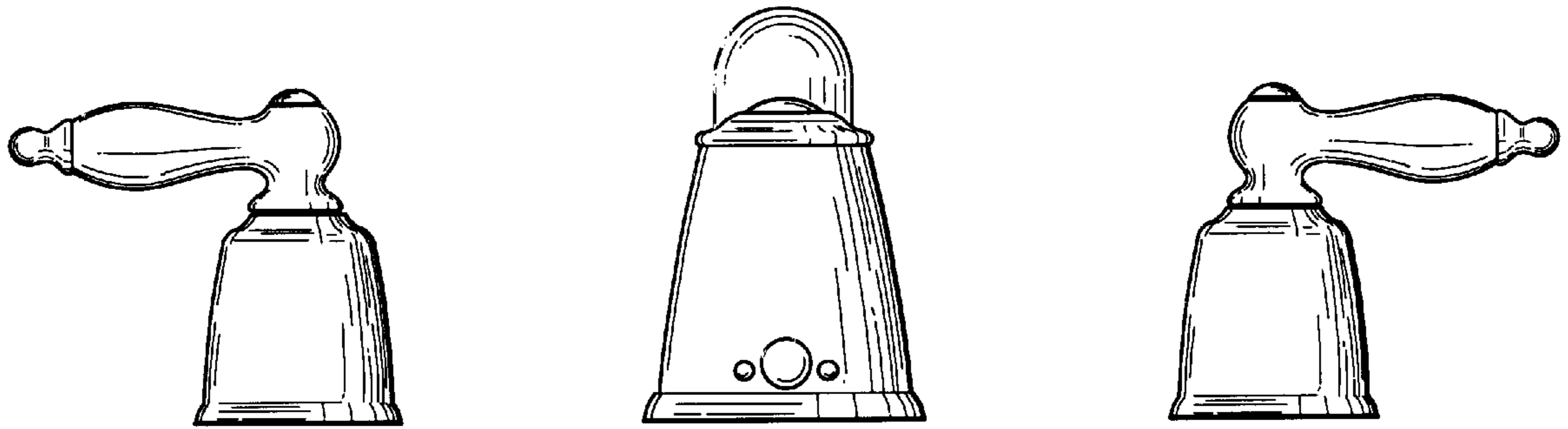
*Fig. 2*



*Fig. 3*



*Fig. 4*



*Fig. 5*