



US00D467996S

(12) **United States Design Patent**
Panis et al.

(10) **Patent No.:** **US D467,996 S**

(45) **Date of Patent:** **** Dec. 31, 2002**

(54) **FAUCET**

(75) **Inventors:** **Pierre-Yves Panis**, North Olmsted, OH (US); **Douglas A. Kemp**, North Ridgeville, OH (US); **Michael J. Painter**, Columbus, OH (US); **Sean W. Svendsen**, Columbus, OH (US)

(73) **Assignee:** **Moen Incorporated**, North Olmsted, OH (US)

(**) **Term:** **14 Years**

(21) **Appl. No.:** **29/159,108**

(22) **Filed:** **Apr. 15, 2002**

(51) **LOC (7) Cl.** **23-01**

(52) **U.S. Cl.** **D23/238**

(58) **Field of Search** D23/238-243,
D23/250-257; 4/675-678; 137/801

(56) **References Cited**

U.S. PATENT DOCUMENTS

D25,950 S	8/1896	Totham	
D46,032 S	6/1914	Mueller et al.	
D149,379 S	4/1948	Sayre	
D213,874 S	* 4/1969	Landell et al.	D23/238
D219,779 S	1/1971	Tiller	
D235,099 S	5/1975	Doman	
D290,492 S	6/1987	Hill et al.	
D291,590 S	8/1987	Bengtsson	
D324,725 S	3/1992	Lang et al.	
D358,869 S	5/1995	Mark et al.	
D360,931 S	8/1995	Mark et al.	
D387,416 S	12/1997	Chin	
D392,025 S	* 3/1998	Doughty et al.	D23/238
D408,505 S	4/1999	Garcia	
D409,285 S	* 5/1999	Donahue et al.	D23/241
D414,547 S	9/1999	Pitsch	

D416,608 S	11/1999	Warshawsky et al.	
D418,579 S	1/2000	Pitsch et al.	
D420,102 S	2/2000	Warshawsky et al.	
D428,966 S	8/2000	Pitsch	
D437,394 S	2/2001	Mark et al.	
D438,602 S	3/2001	Milrud et al.	
D439,635 S	3/2001	Robbins	
D440,635 S	4/2001	Fleischmann	
D441,428 S	5/2001	Donell	
D441,434 S	5/2001	Dretzka	
D443,031 S	5/2001	Strader et al.	
D444,539 S	7/2001	Ker	
D444,851 S	7/2001	Sturgeon	
D444,856 S	* 7/2001	Green et al.	D23/252
D445,880 S	7/2001	Wen	
D446,843 S	8/2001	Martinez	
D447,541 S	9/2001	Dretzka	
D447,542 S	9/2001	Dretzka	
D448,068 S	9/2001	Lord	
D448,833 S	10/2001	Pitsch	

* cited by examiner

Primary Examiner—Louis S. Zarfaz
Assistant Examiner—Gregory Andoll
(74) *Attorney, Agent, or Firm*—Cook, Alex, McFarron, Manzo, Cummings & Mehler, Ltd.

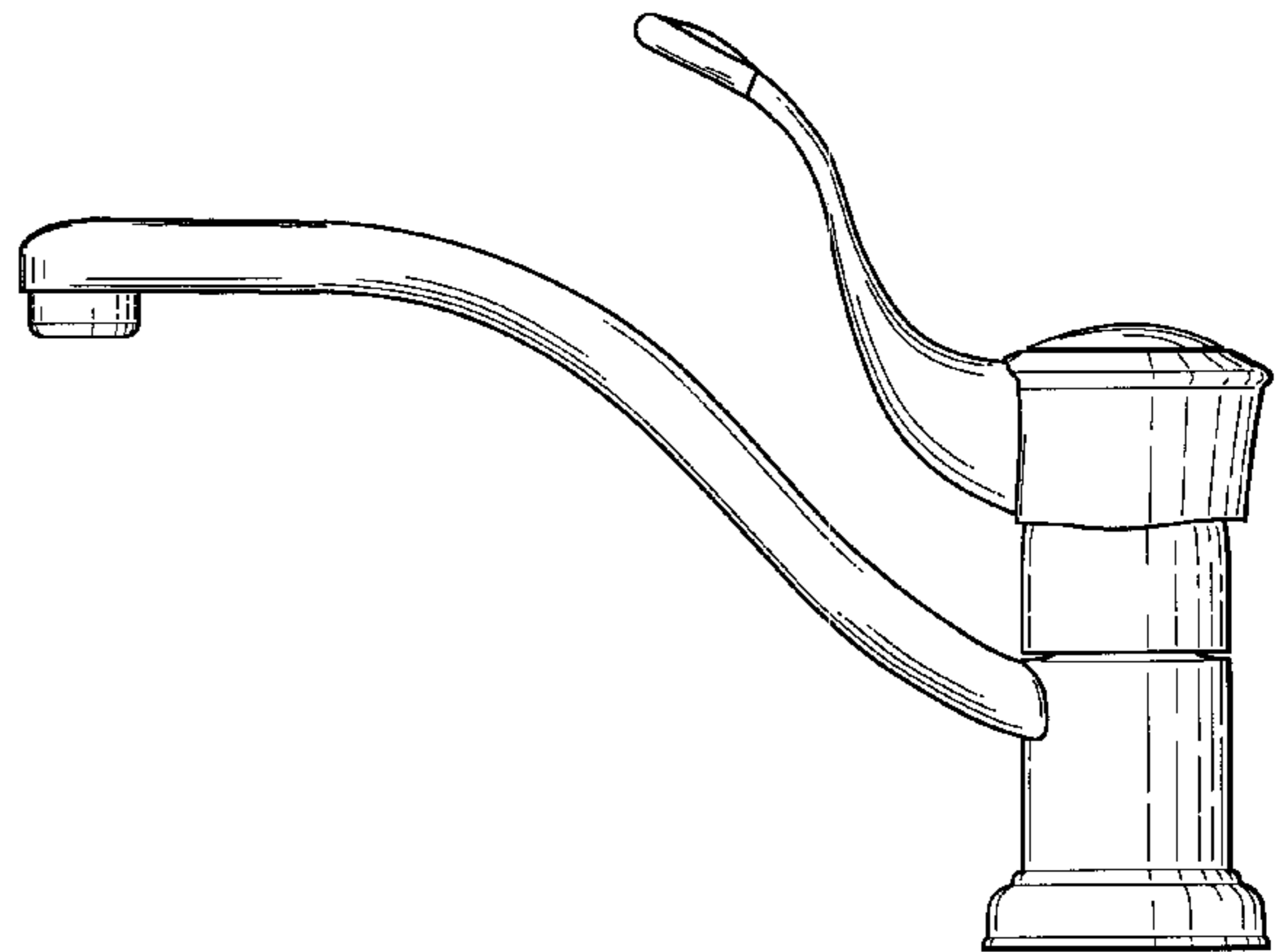
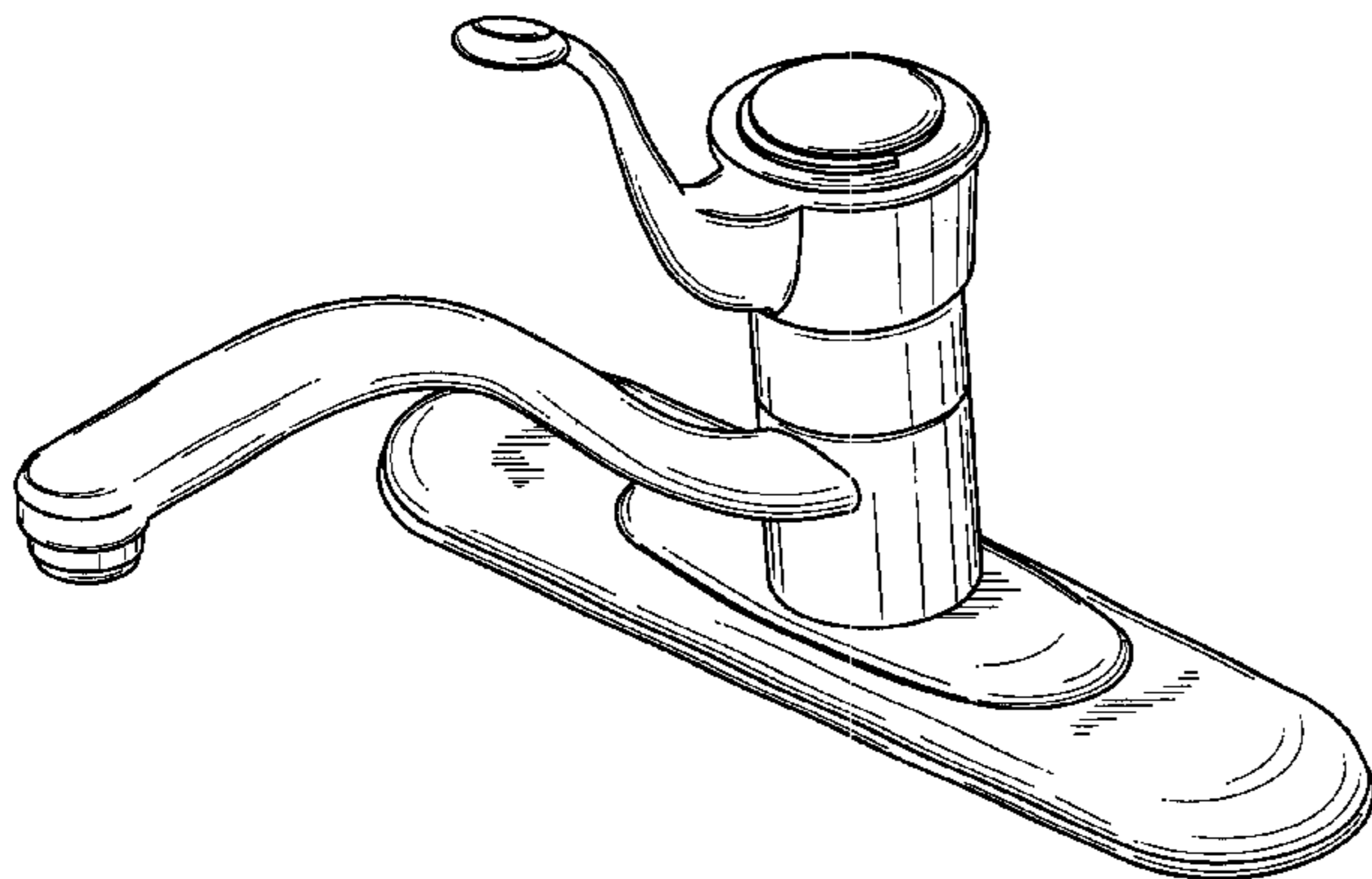
(57) **CLAIM**

The ornamental design for a faucet, as shown and described.

DESCRIPTION

FIG. 1 is a front perspective view of our new design for a faucet;
FIG. 2 is a right side view thereof, the left side being a mirror image of the right side;
FIG. 3 is a front view thereof;
FIG. 4 is a top view thereof; and,
FIG. 5 is a rear view thereof.

1 Claim, 3 Drawing Sheets



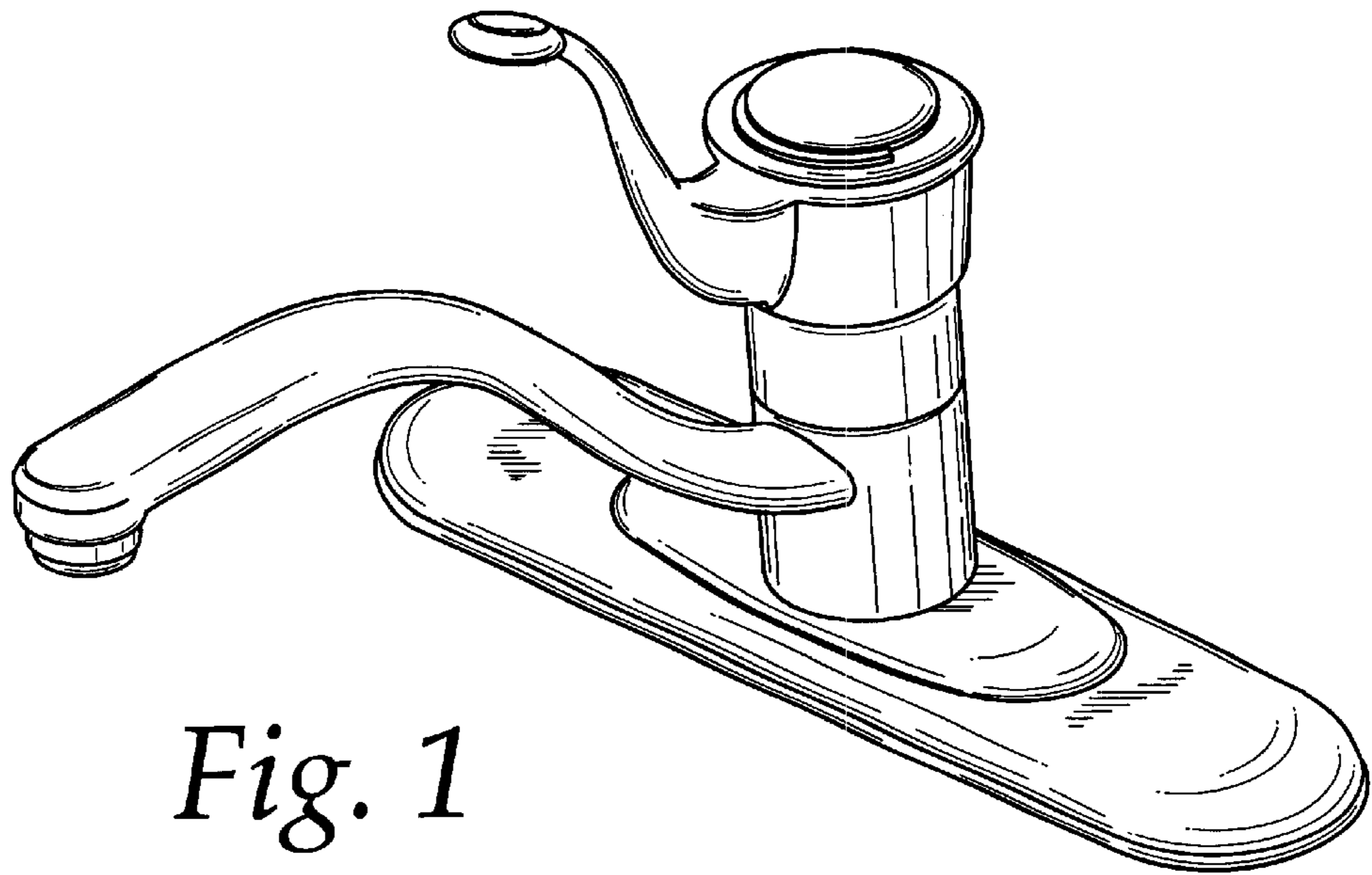


Fig. 1

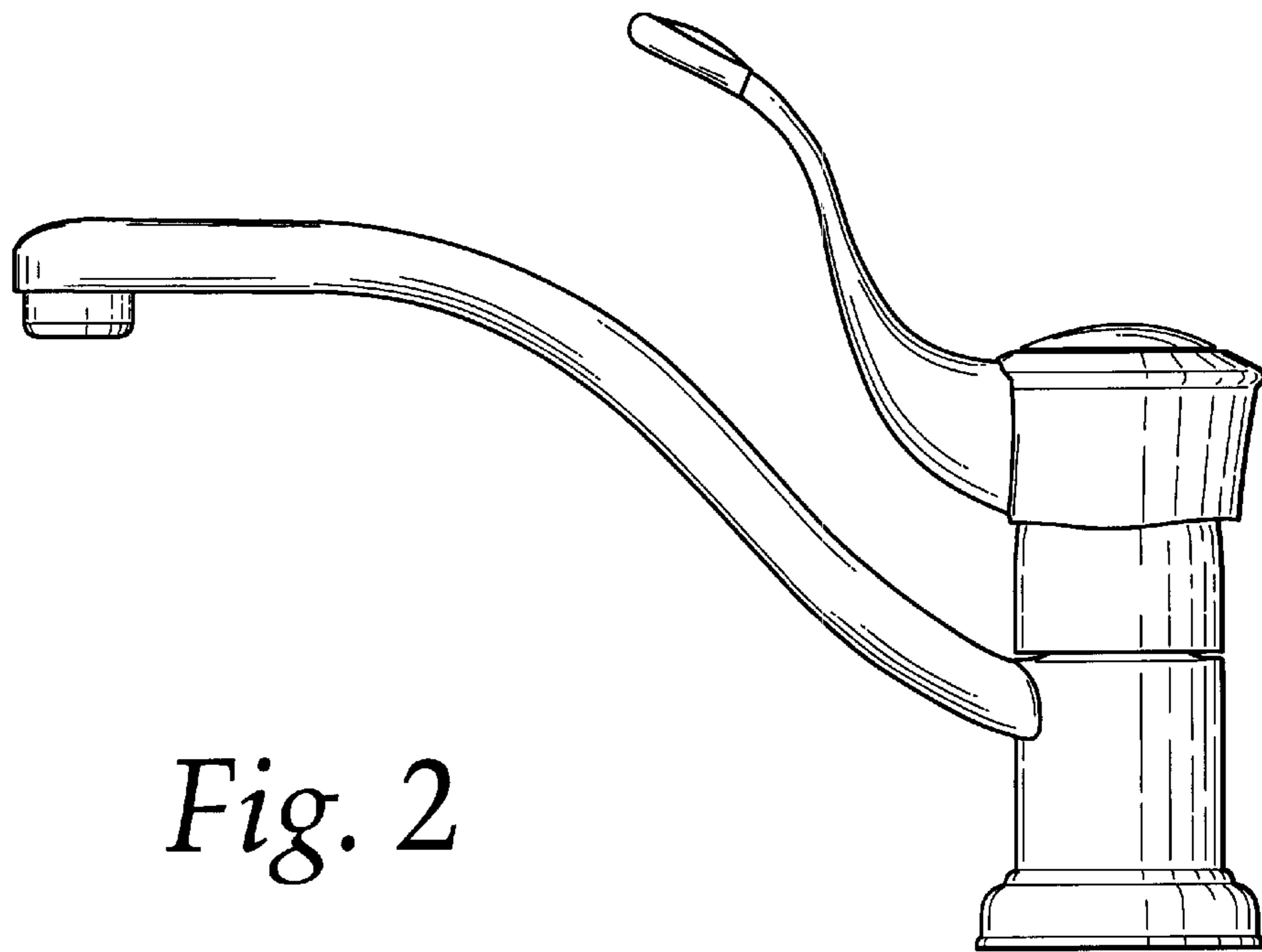


Fig. 2

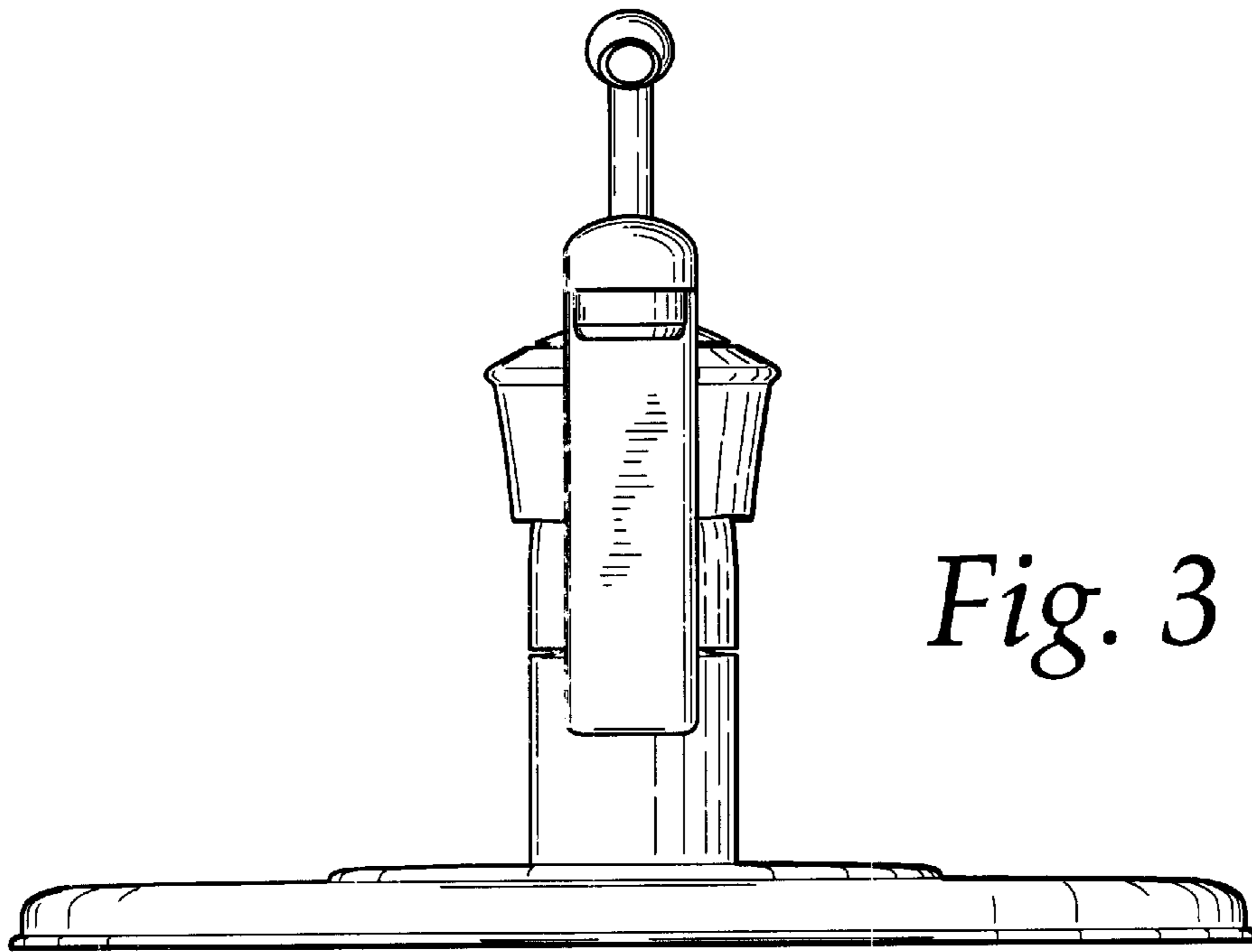


Fig. 3

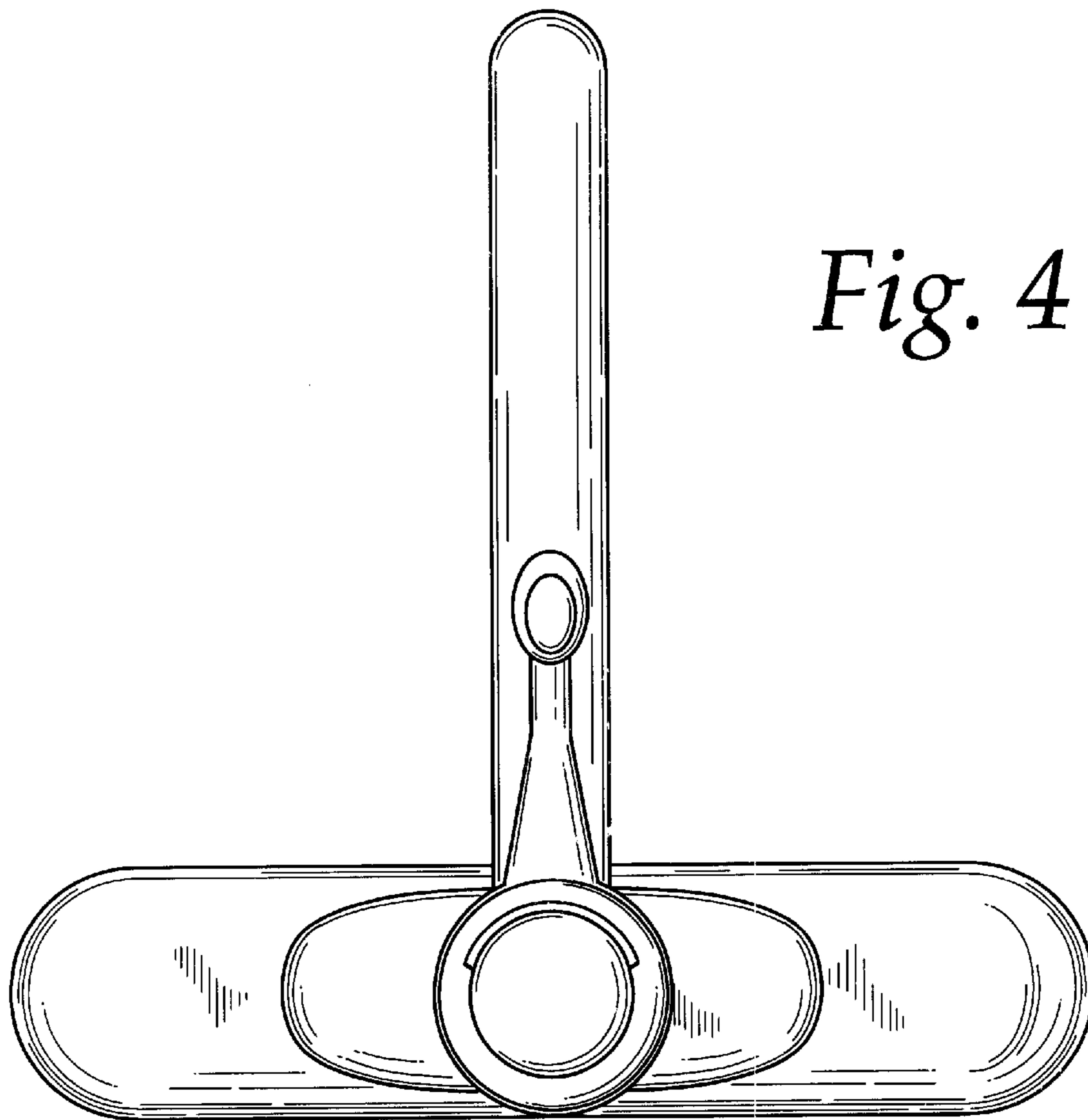


Fig. 4

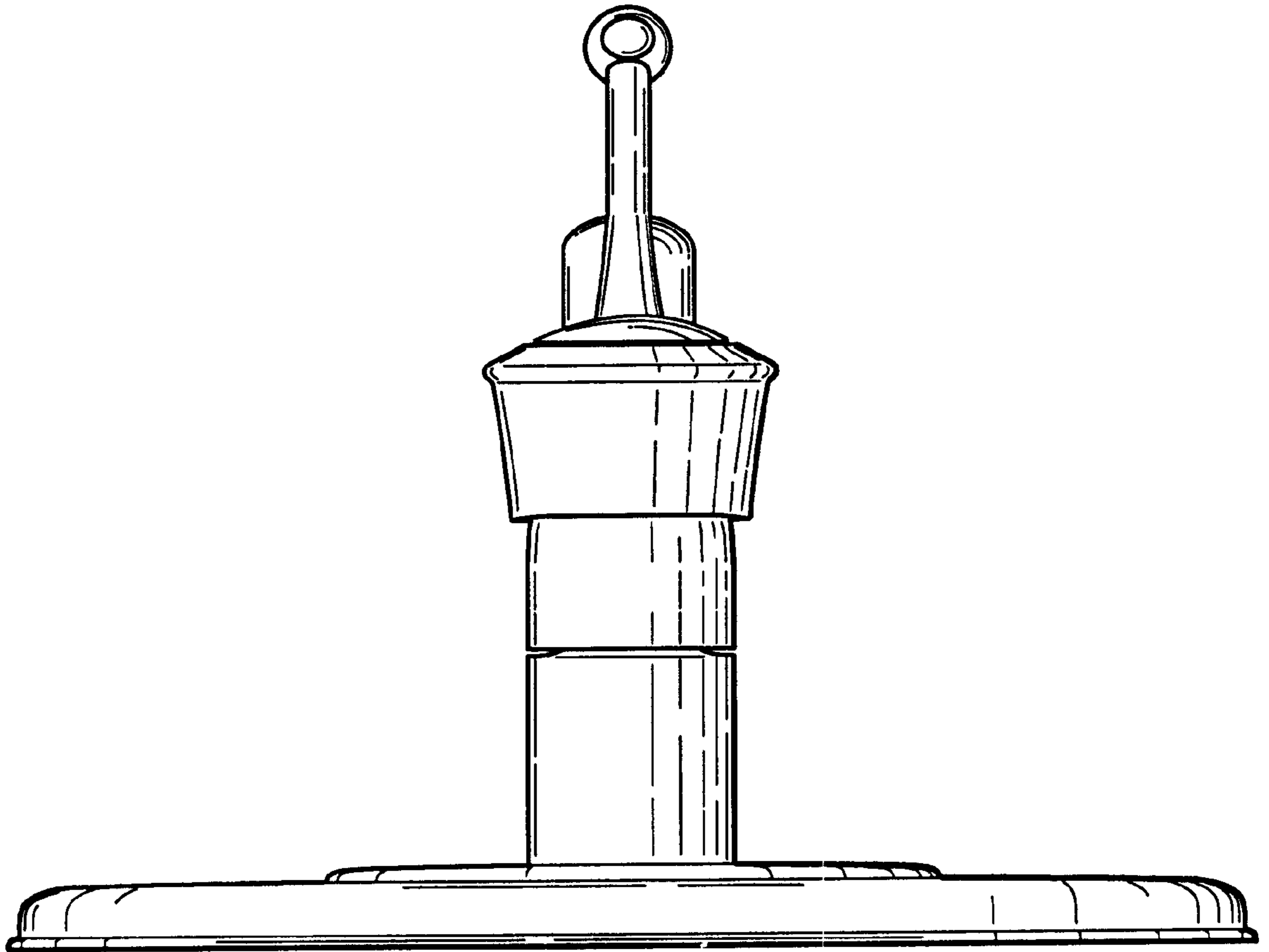


Fig. 5