



US00D467991S

(12) **United States Design Patent**  
**Ibele**

(10) **Patent No.:** **US D467,991 S**

(45) **Date of Patent:** **\*\* Dec. 31, 2002**

(54) **SPRAY GUN**

D286,426 S \* 10/1986 Lin ..... D23/225

D297,350 S \* 8/1988 Kille ..... D23/225

4,969,603 A \* 11/1990 Norman ..... 239/318

(75) Inventor: **Peter Ibele**, Horgenzell (DE)

(73) Assignee: **J. Wagner Verwaltungs GmbH**,  
Friedrichshafen (DE)

\* cited by examiner

(\*\*) Term: **14 Years**

*Primary Examiner*—Robin V. Taylor

(74) *Attorney, Agent, or Firm*—Pandiscio & Pandiscio;  
Scott R. Foster

(21) Appl. No.: **29/153,960**

(57) **CLAIM**

(22) Filed: **Nov. 7, 2001**

The ornamental design for a spray gun, as shown.

(30) **Foreign Application Priority Data**

**DESCRIPTION**

Oct. 1, 2001 (DE) ..... 401 08 634

FIG. 1 is a perspective view of a spray gun showing my new design;

(51) **LOC (7) Cl.** ..... **23-01**

FIG. 2 is a left side elevational view thereof;

(52) **U.S. Cl.** ..... **D23/225**

FIG. 3 is a right side elevational view thereof;

(58) **Field of Search** ..... D23/213, 225;  
D8/2; 239/302, 308, 316–318, 324, 310

FIG. 4 is a front elevational view thereof;

FIG. 5 is a rear elevational view thereof;

(56) **References Cited**

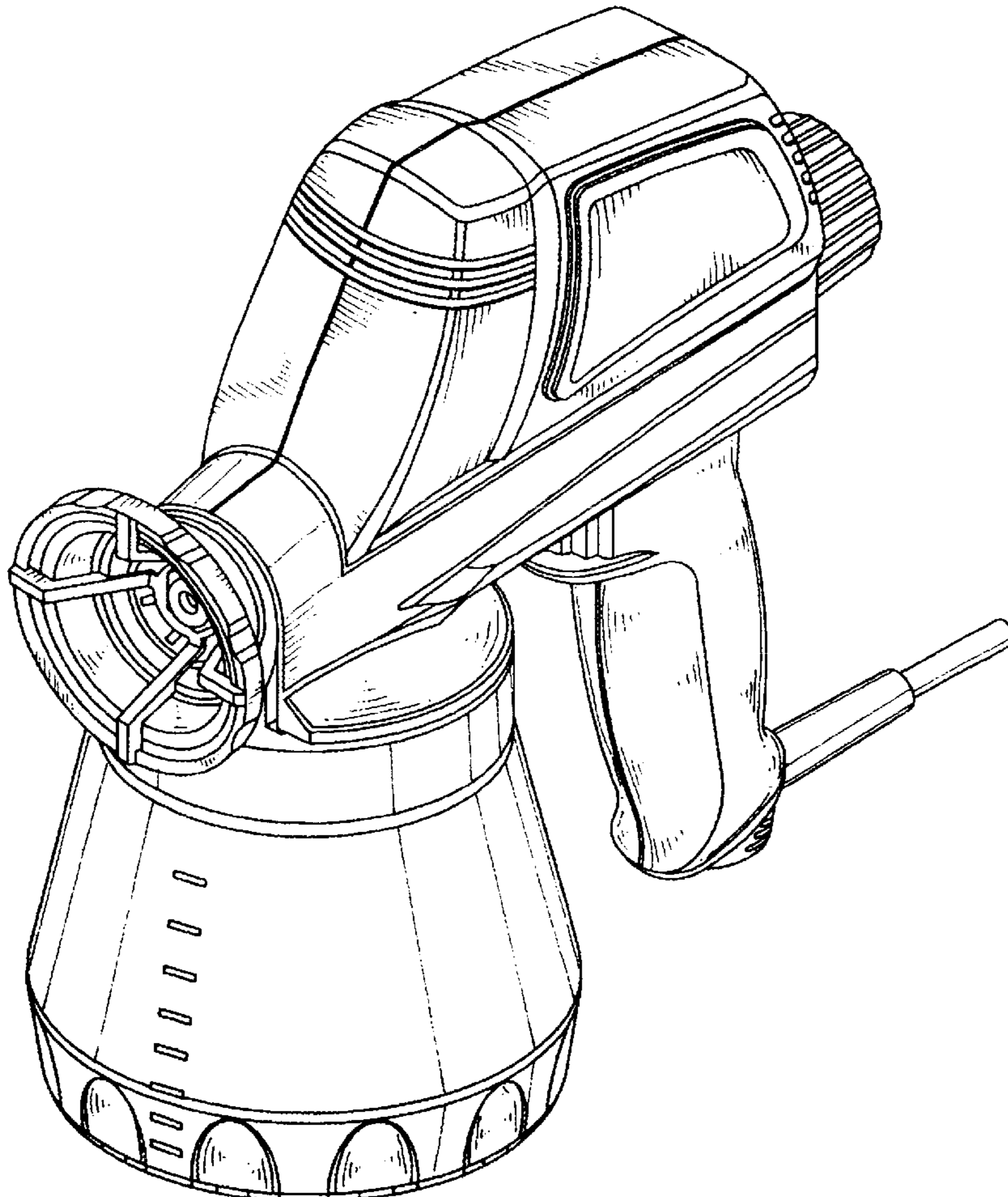
FIG. 6 is a top plan view thereof; and,

FIG. 7 is a bottom view thereof.

**U.S. PATENT DOCUMENTS**

D237,796 S \* 11/1975 Wagner ..... D23/225

**1 Claim, 7 Drawing Sheets**



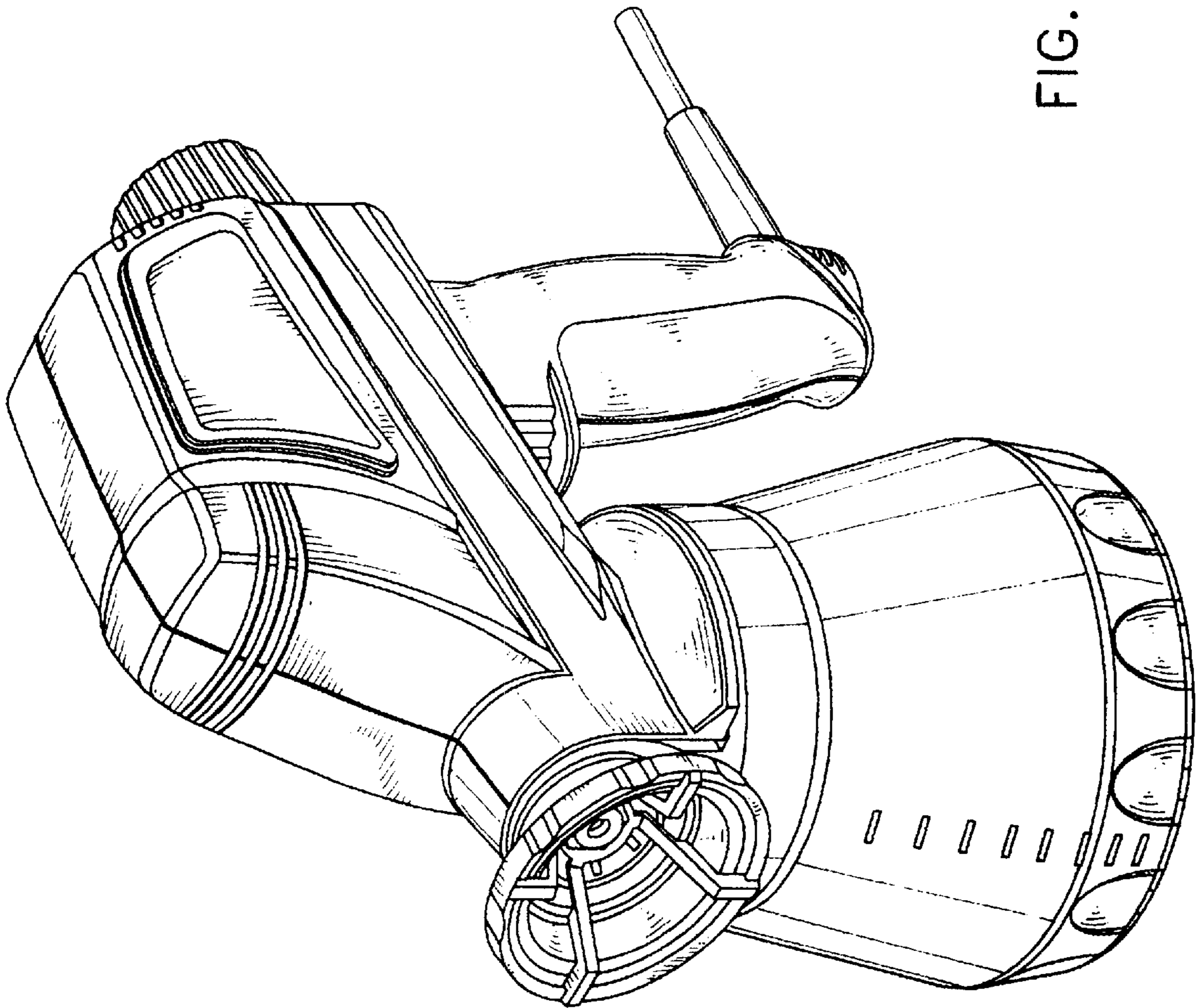
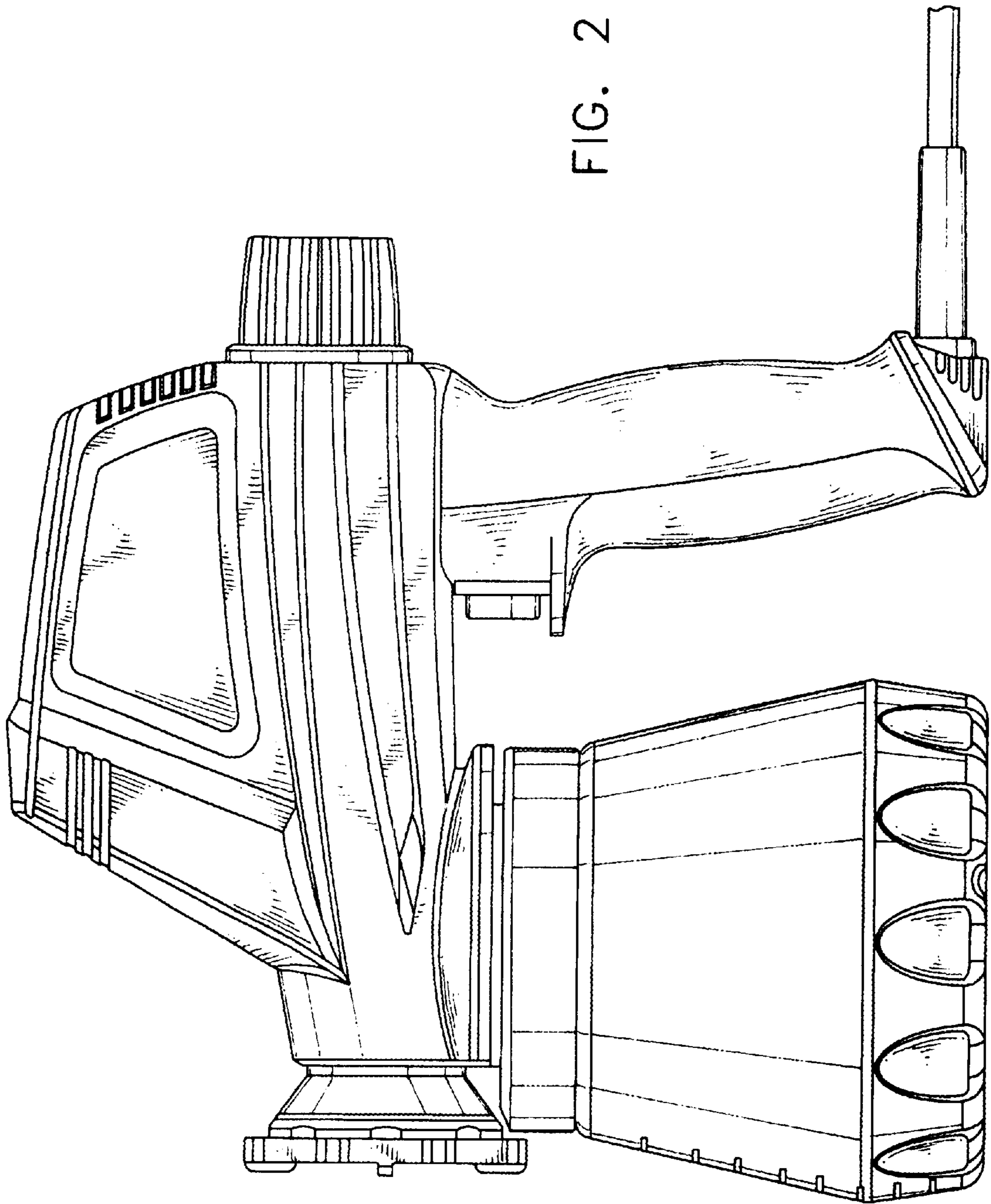


FIG. 1

FIG. 2



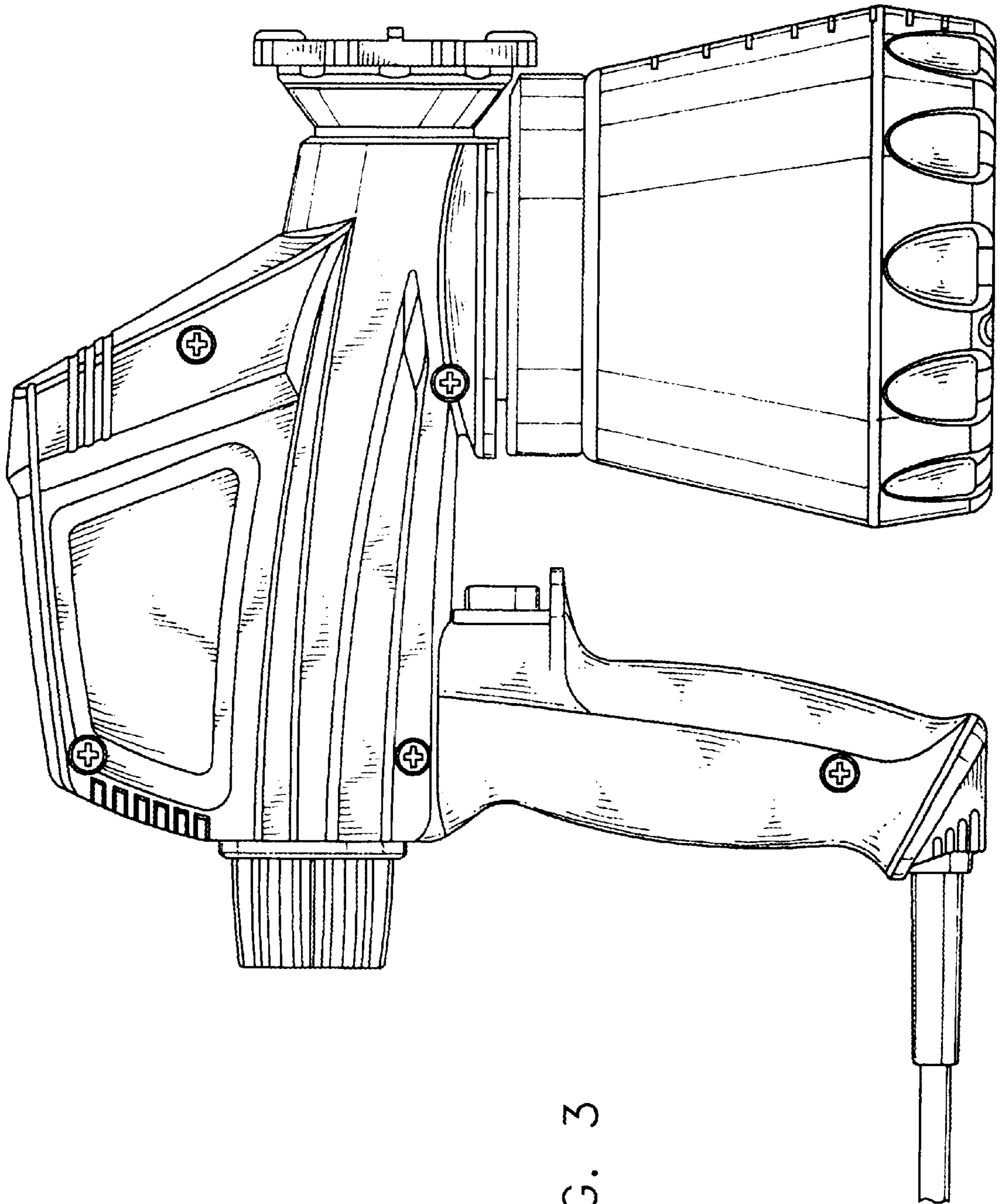


FIG. 3

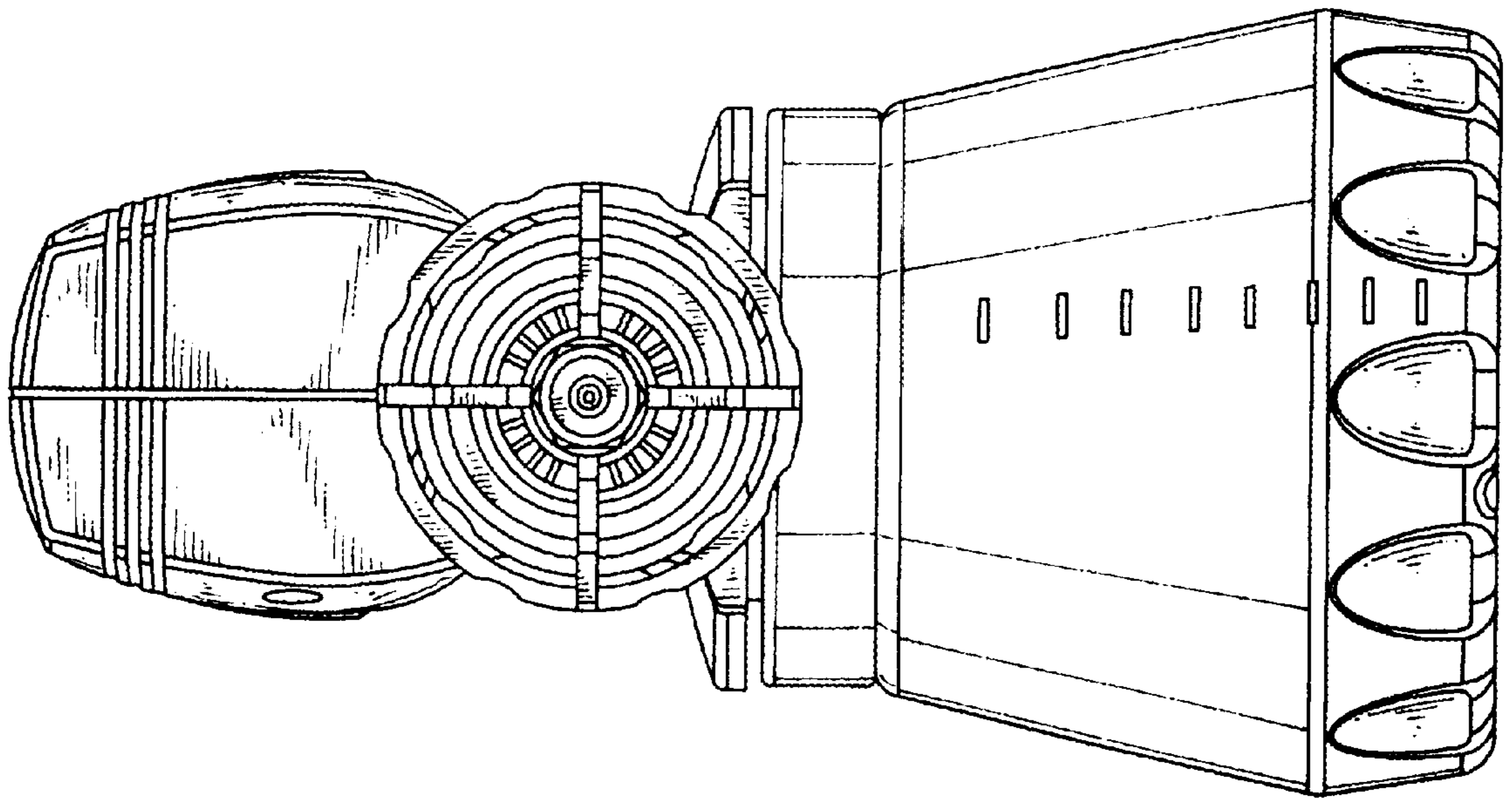


FIG. 4

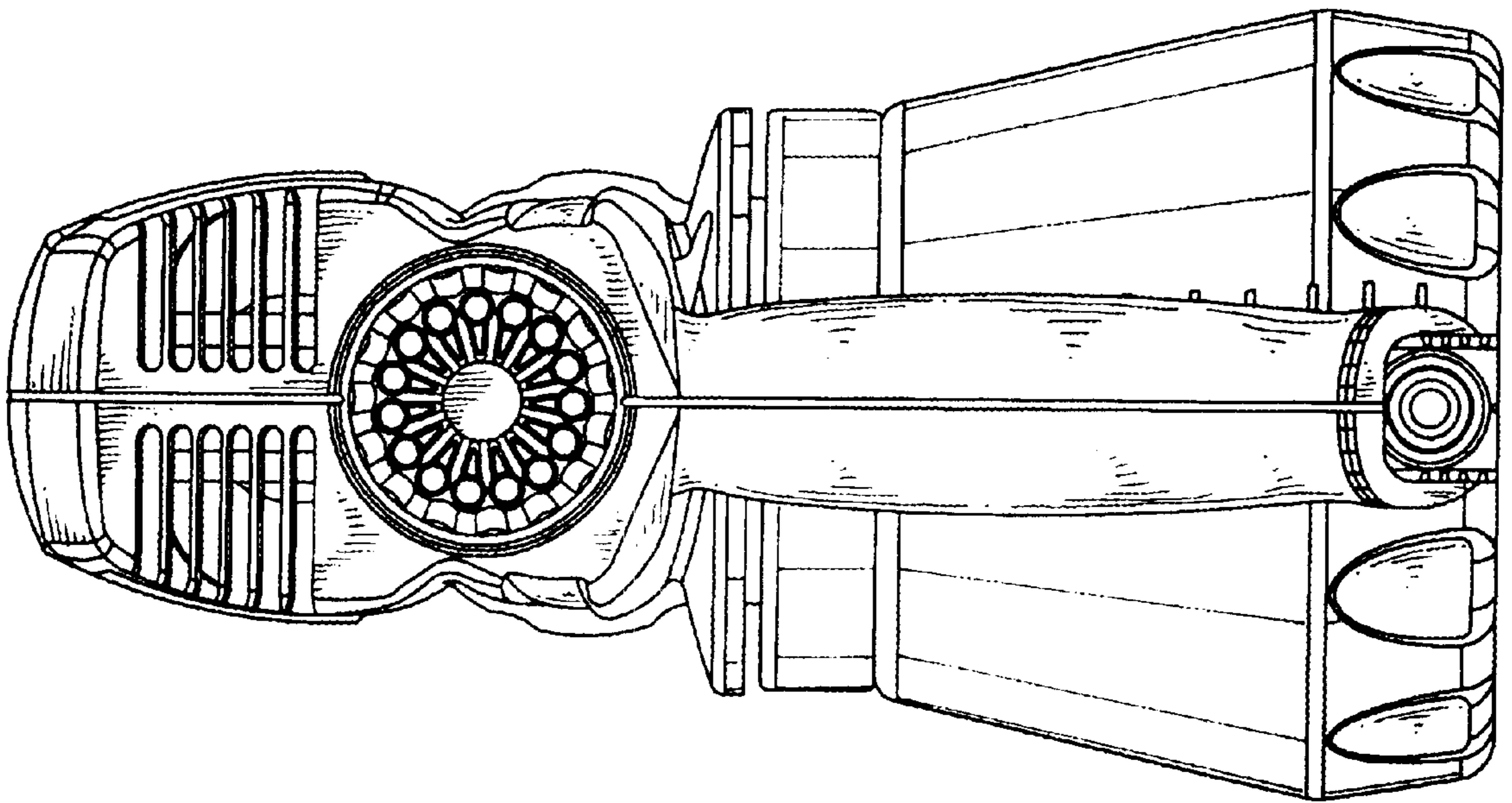


FIG. 5

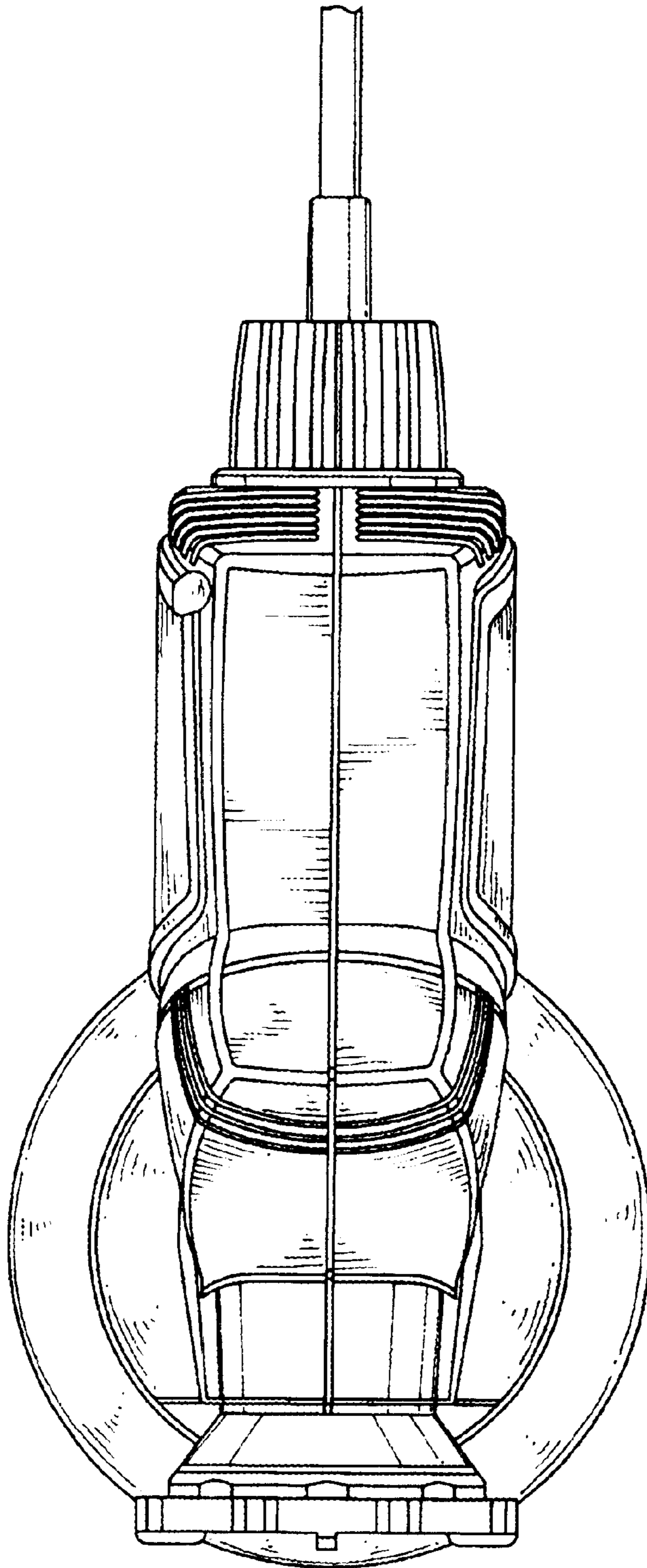


FIG. 6

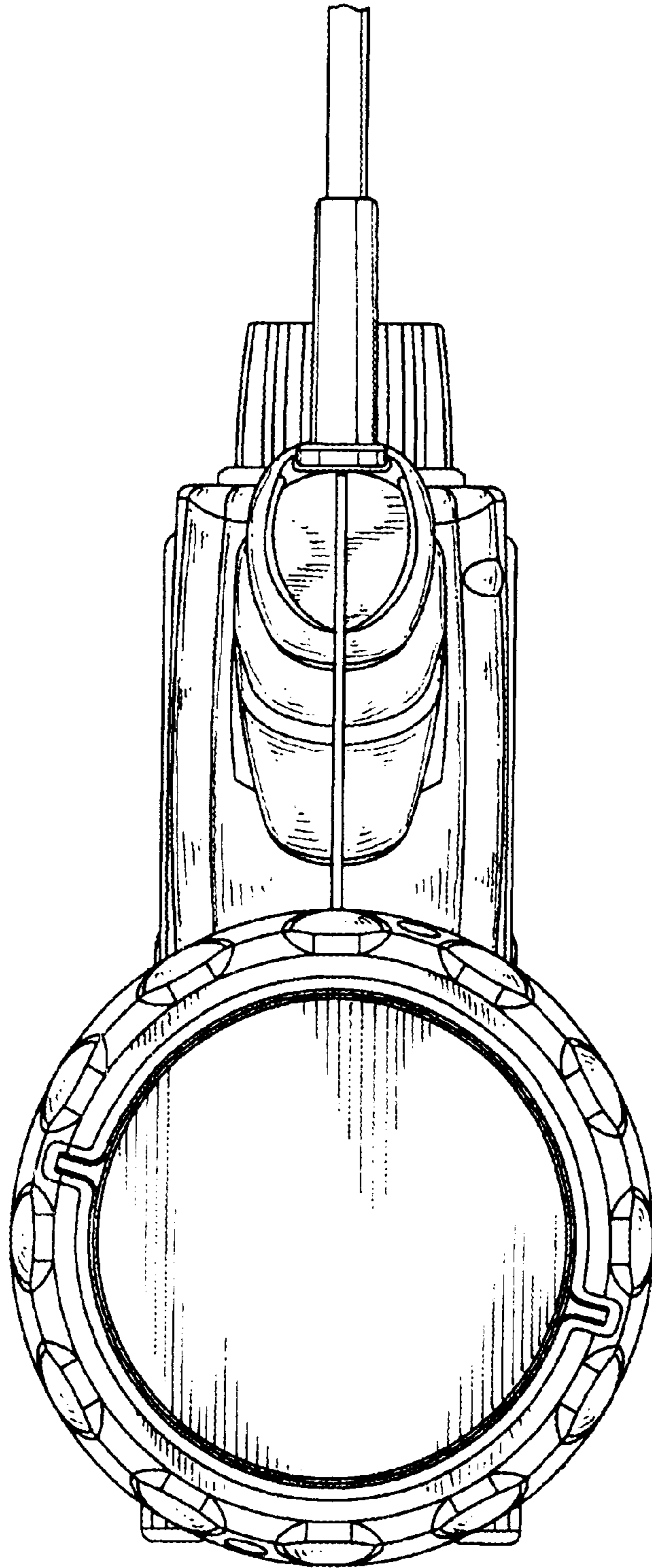


FIG. 7