



US00D467985S

(12) **United States Design Patent**  
**Tang et al.**

(10) **Patent No.:** **US D467,985 S**

(45) **Date of Patent:** **\*\* \*Dec. 31, 2002**

(54) **PUTTER HEAD**

(75) Inventors: **Larry G. Tang**, Carlsbad, CA (US);  
**Joshua G. Breier**, San Marcos, CA (US)

(73) Assignee: **Callaway Golf Company**, Carlsbad, CA (US)

(\* ) Notice: This patent is subject to a terminal disclaimer.

(\*\*) Term: **14 Years**

(21) Appl. No.: **29/151,969**

(22) Filed: **Dec. 12, 2001**

**Related U.S. Application Data**

(63) Continuation-in-part of application No. 29/147,888, filed on Sep. 7, 2001.

(51) **LOC (7) Cl.** ..... **15-02**

(52) **U.S. Cl.** ..... **D21/742**

(58) **Field of Search** ..... D21/736-746;  
473/324, 327, 328, 340, 341, 251-256

(56) **References Cited**

**U.S. PATENT DOCUMENTS**

1,485,272 A	2/1924	Kinsman
1,526,951 A	2/1925	Beaumont
1,546,612 A	7/1925	Barnes
1,569,295 A	1/1926	Munson
1,652,404 A	9/1927	Graveure
1,654,916 A	1/1928	Boyce
1,666,174 A	4/1928	Holland
1,703,199 A	2/1929	McClure
D85,510 S	6/1931	Beach
D90,924 S	8/1933	Replogle
1,960,110 A	5/1934	Iles
D95,819 S	3/1935	Gourlay
2,002,631 A	5/1935	Fiondella
2,056,335 A	10/1936	Wettlaufer
2,057,821 A	10/1936	Costello
D104,495 S	5/1937	Gallagher

2,156,025 A	4/1939	Paul
D146,431 S	* 3/1947	Liolich ..... D21/742
2,447,967 A	8/1948	Stone
2,478,468 A	8/1949	Drake
2,708,579 A	5/1955	Hugman
D179,002 S	10/1956	Hoffmeister
D179,246 S	11/1956	Gillon
2,781,197 A	2/1957	Wiley
2,838,312 A	6/1958	Drake
2,957,696 A	10/1960	Warpotas
3,021,141 A	2/1962	Polsky et al.
3,064,975 A	11/1962	Smith
D200,585 S	3/1965	Cefaly
3,194,564 A	7/1965	Swan
3,220,733 A	11/1965	Saleeby
3,300,241 A	1/1967	Eberwein et al.
3,310,879 A	3/1967	Brzezinski et al.
3,328,032 A	6/1967	Griswold
3,333,854 A	8/1967	White
3,343,839 A	9/1967	Borah

(List continued on next page.)

**OTHER PUBLICATIONS**

Advertisement page from Japanese magazine.

*Primary Examiner*—Mitchell Siegel

(74) *Attorney, Agent, or Firm*—Michael A. Catania

(57) **CLAIM**

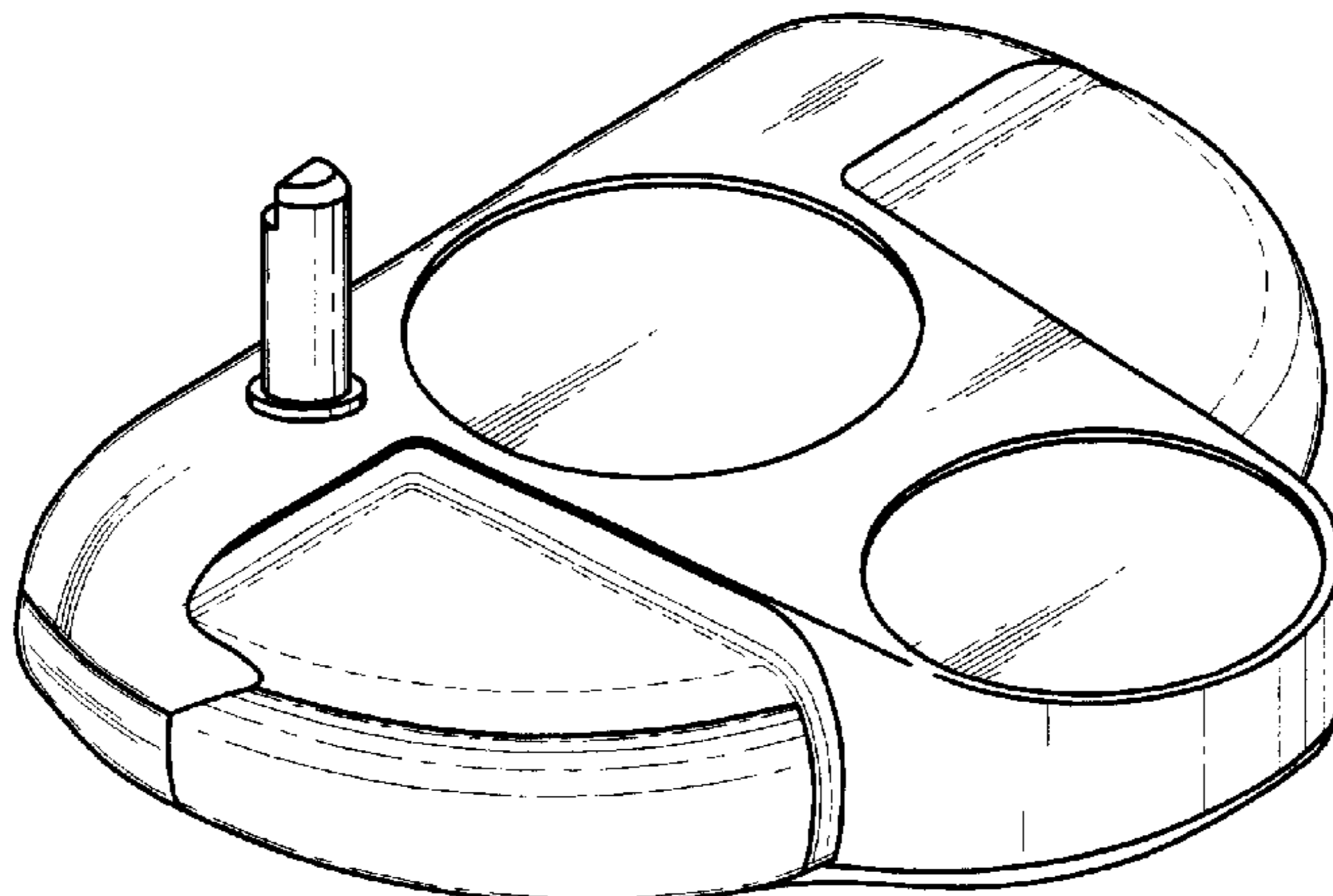
The ornamental design for a putter head, as shown and described.

**DESCRIPTION**

FIG. 1 is a top perspective view of a golf club putter head; FIG. 2 is a top plan view thereof; FIG. 3 is a bottom plan view thereof; FIG. 4 is a front plan view thereof; FIG. 5 is a rear plan view thereof; FIG. 6 is a heel side view thereof; and, FIG. 7 is a toe side view thereof.

The broken line showing is for illustrative purposes only and forms no part of the claimed design.

**1 Claim, 2 Drawing Sheets**



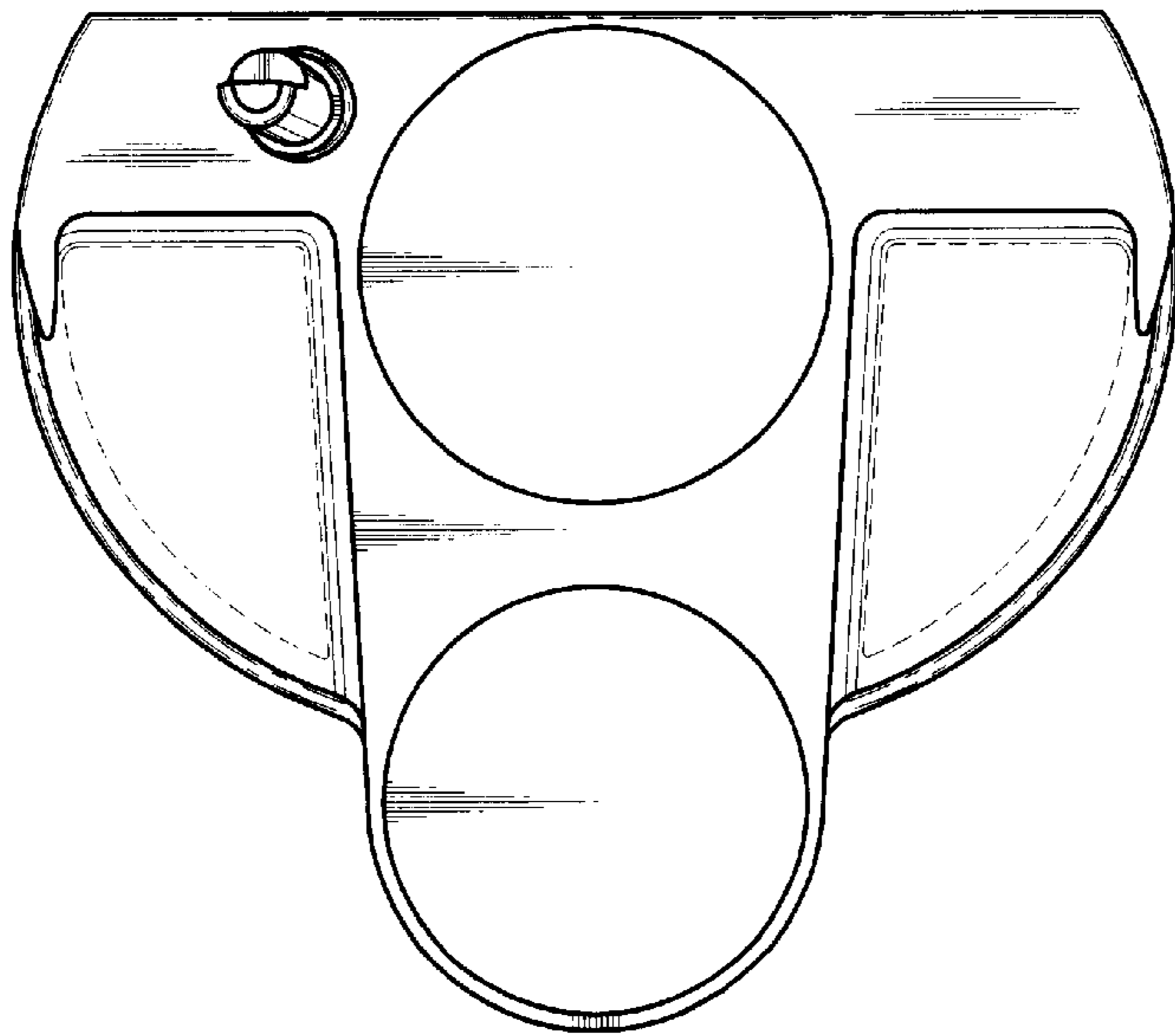
# US D467,985 S

Page 2

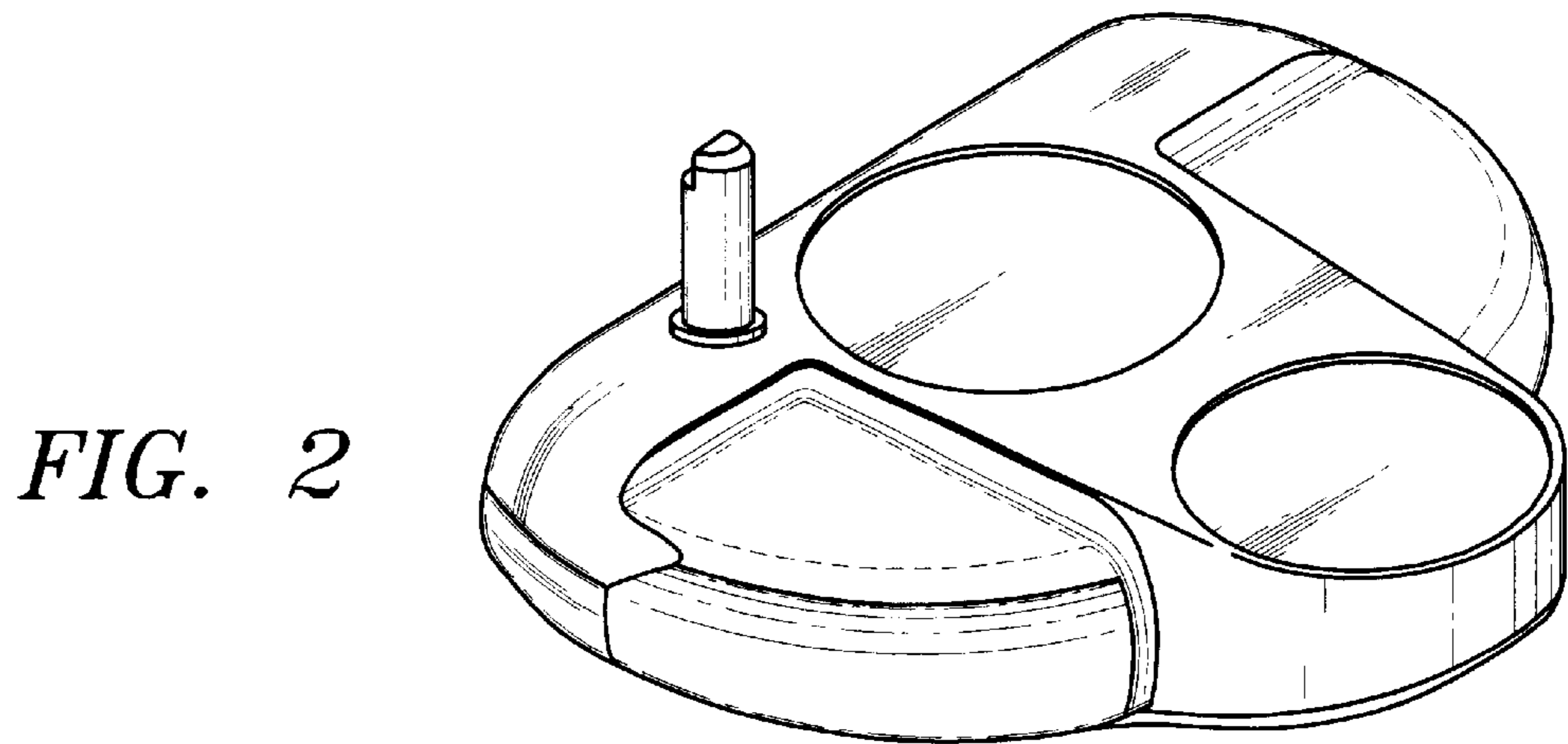
## U.S. PATENT DOCUMENTS

D209,294 S	11/1967	Hitt	3,918,720 A	11/1975	Gordos
3,357,705 A	12/1967	Blanchard	D241,563 S	9/1976	McCord
3,408,074 A	10/1968	Antonious	D245,437 S	8/1977	Thiel
3,411,789 A	11/1968	Wariner	D248,050 S	5/1978	Muehl
D217,487 S	5/1970	Blake	D252,221 S	6/1979	Mariani
3,512,262 A	5/1970	Smyk et al.	4,278,254 A	7/1981	Simjian
3,578,332 A	5/1971	Caldwell	4,314,701 A	2/1982	Swanson
3,632,112 A	1/1972	Jacobs	4,411,431 A	10/1983	Judice
3,708,172 A	1/1973	Rango	4,444,395 A	4/1984	Reiss
3,779,398 A	12/1973	Hunter	4,688,798 A	8/1987	Pelz
D230,293 S	* 2/1974	Gall ..... D21/745	D309,765 S	8/1990	Pelz
D230,294 S	* 2/1974	Gall ..... D21/745	D309,766 S	8/1990	Pelz
D230,615 S	3/1974	Delgadillo	D317,034 S	5/1991	Pelz
3,806,129 A	4/1974	Burrows	D317,962 S	* 7/1991	Pelz ..... D21/735
3,841,640 A	10/1974	Gaulocher	5,685,784 A	* 11/1997	Butler ..... 473/340
3,841,641 A	10/1974	Bennett	D395,692 S	* 6/1998	Butler ..... D21/742
D233,616 S	11/1974	Verzillo	D422,328 S	* 4/2000	Lannoch ..... D21/743
3,884,477 A	5/1975	Bianco	D448,437 S	* 9/2001	Colucci ..... D21/736

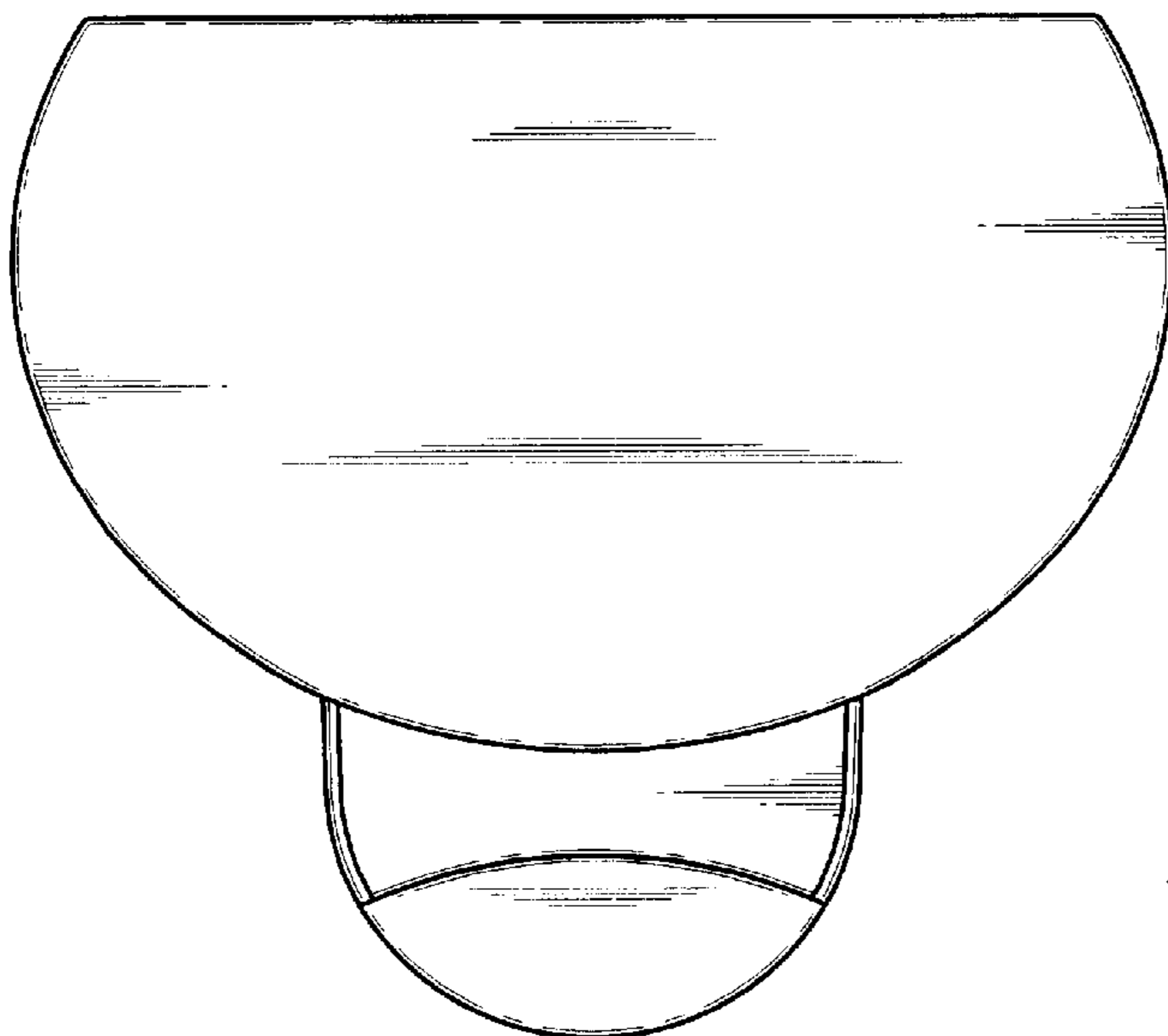
\* cited by examiner



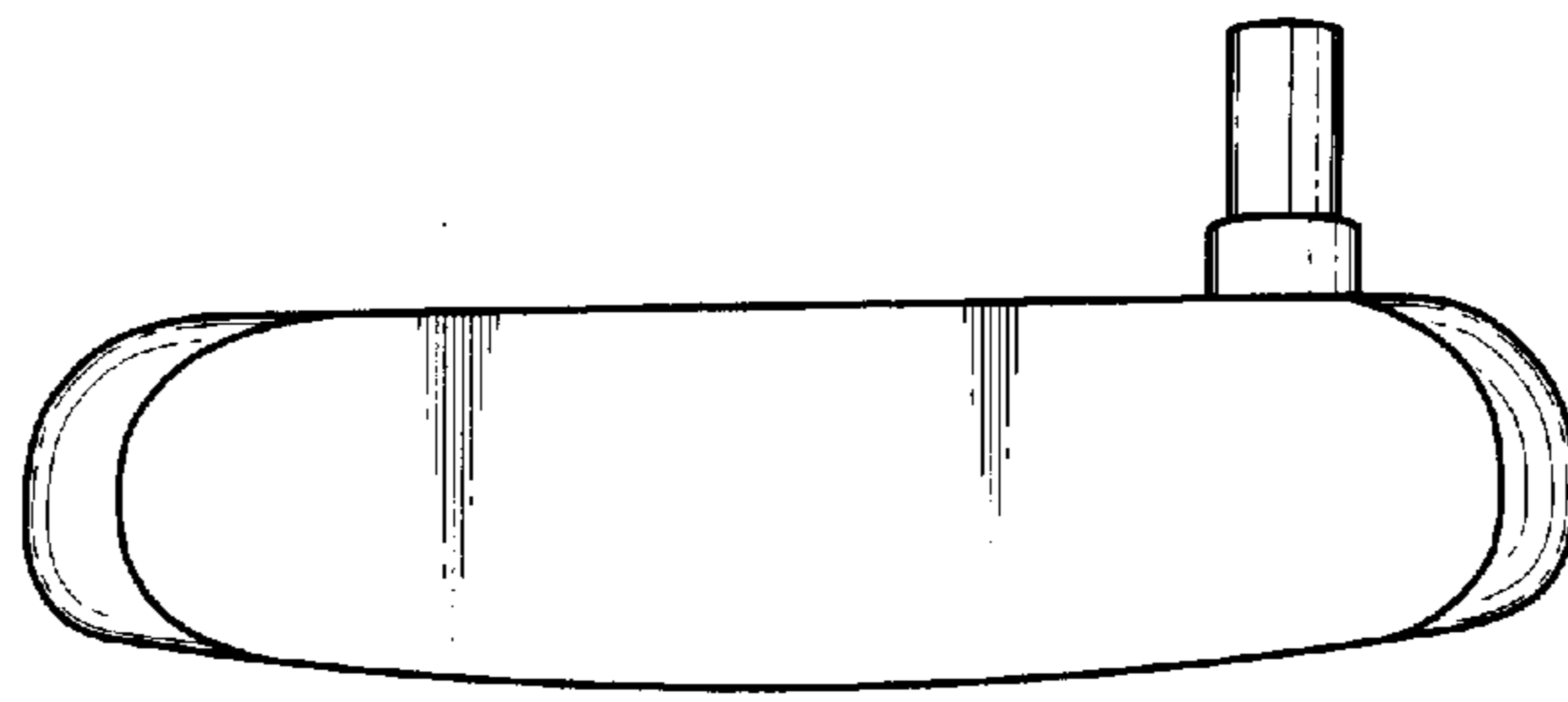
*FIG. 1*



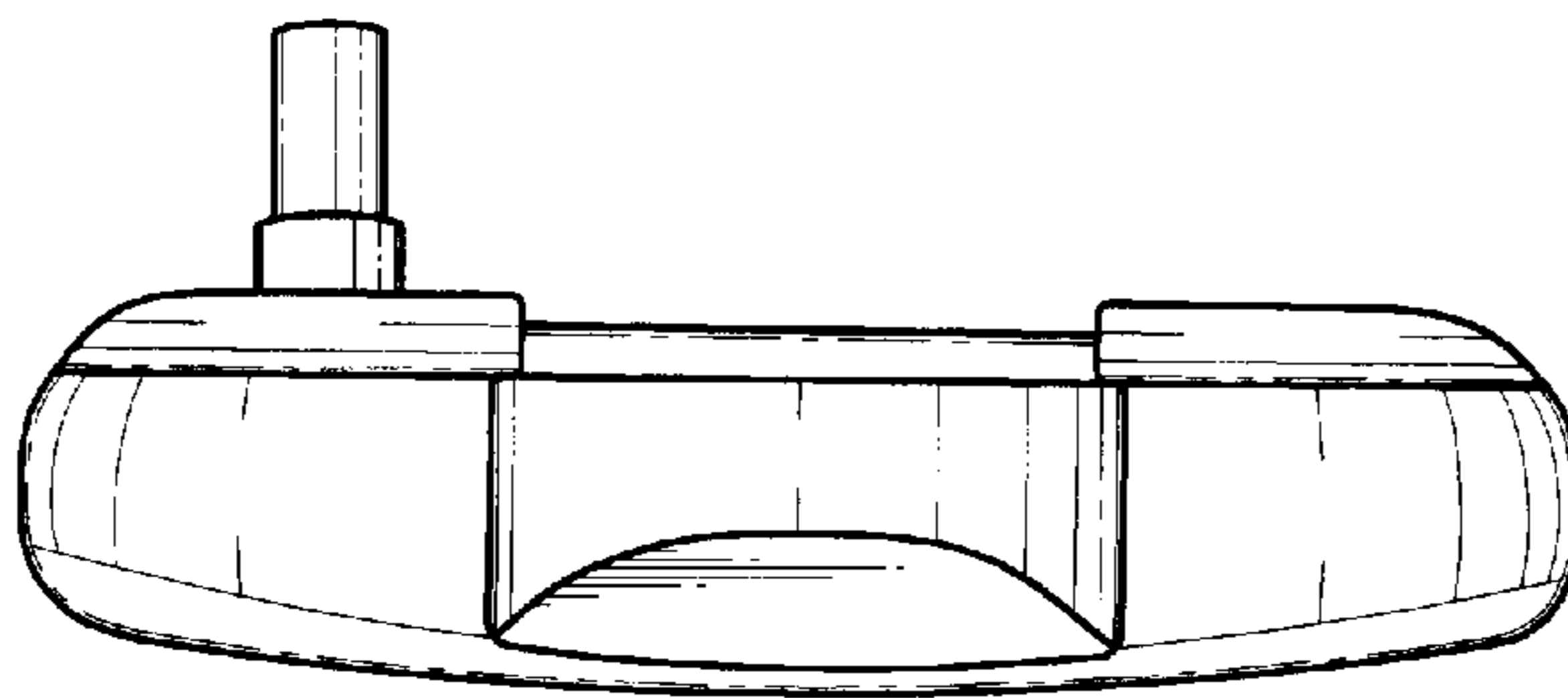
*FIG. 2*



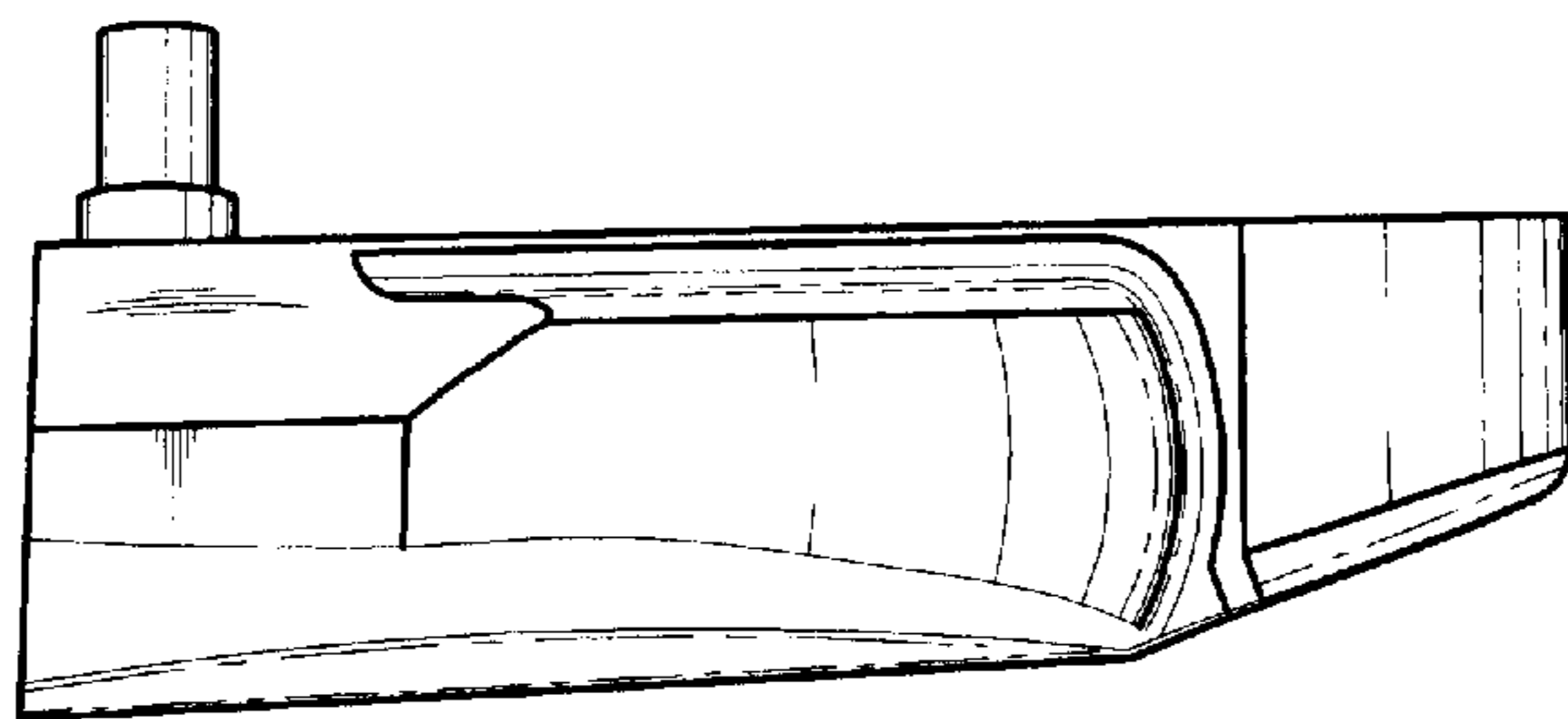
*FIG. 3*



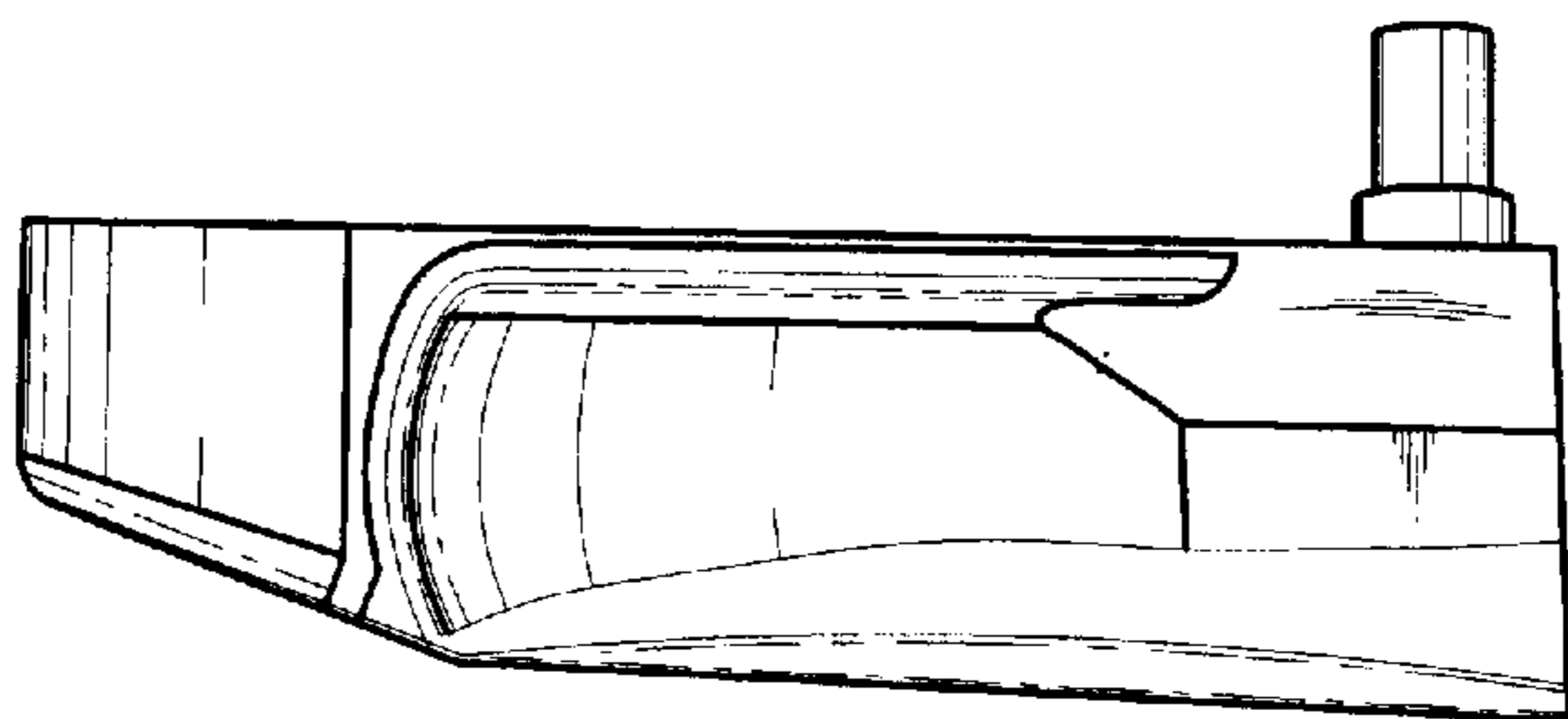
*FIG. 4*



*FIG. 5*



*FIG. 6*



*FIG. 7*