



US00D467983S

(12) **United States Design Patent**
Yamazaki

(10) **Patent No.:** **US D467,983 S**

(45) **Date of Patent:** **** Dec. 31, 2002**

(54) **DOG TOY**

(75) Inventor: **Junko Yamazaki**, Katsushika-ku (JP)

(73) Assignee: **Tomy Company, Ltd.**, Tokyo (JP)

(**) Term: **14 Years**

(21) Appl. No.: **29/160,251**

(22) Filed: **May 8, 2002**

(30) **Foreign Application Priority Data**

Dec. 28, 2001 (JP) 2001-038867

(51) **LOC (7) Cl.** **21-01**

(52) **U.S. Cl.** **D21/611; D21/585; D30/160**

(58) **Field of Search** **D30/160; 119/702, 119/707-711; D21/406, 576, 596, 585, 604, 592, 611-613, 621, 622, 650; D11/158; 446/268, 269, 276, 277, 279, 285**

(56) **References Cited**

U.S. PATENT DOCUMENTS

D61,314	8/1922	Lund	
2,182,642	* 12/1939	Rexford	D21/592
D167,929	10/1952	Doe	
D169,310	* 4/1953	Fullerton	D21/611
D171,990	* 4/1954	Schwartz	D21/613
D214,384	* 6/1969	Klamer et al.	D21/611

D232,851	9/1974	Mueller	
D238,804	* 2/1976	Holden	D21/596
D251,316	* 3/1979	Saitoh	D21/585
D267,896	* 2/1983	Nuttall et al.	D21/592
D276,324	* 11/1984	Santa-Eulalia et al.	D11/158
D302,868	* 8/1989	Tsai	D21/612
D315,866	* 4/1991	Ferrero	D21/611
D352,319	11/1994	Lin	
5,415,132	* 5/1995	Meyer	119/707
D453,419	* 2/2002	Kaplan	D21/611
D457,203	* 5/2002	Onishi et al.	D21/578

* cited by examiner

Primary Examiner—Cathy Anne MacCormac
(74) *Attorney, Agent, or Firm*—Oliff & Berridge, PLC

(57) **CLAIM**

The ornamental design for a dog toy, as shown and described.

DESCRIPTION

FIG. 1 is a perspective view of a dog toy;
FIG. 2 is a front view thereof;
FIG. 3 is a rear view thereof;
FIG. 4 is a top view thereof;
FIG. 5 is a bottom view thereof;
FIG. 6 is a left side view thereof; and,
FIG. 7 is a right side view thereof.

1 Claim, 2 Drawing Sheets

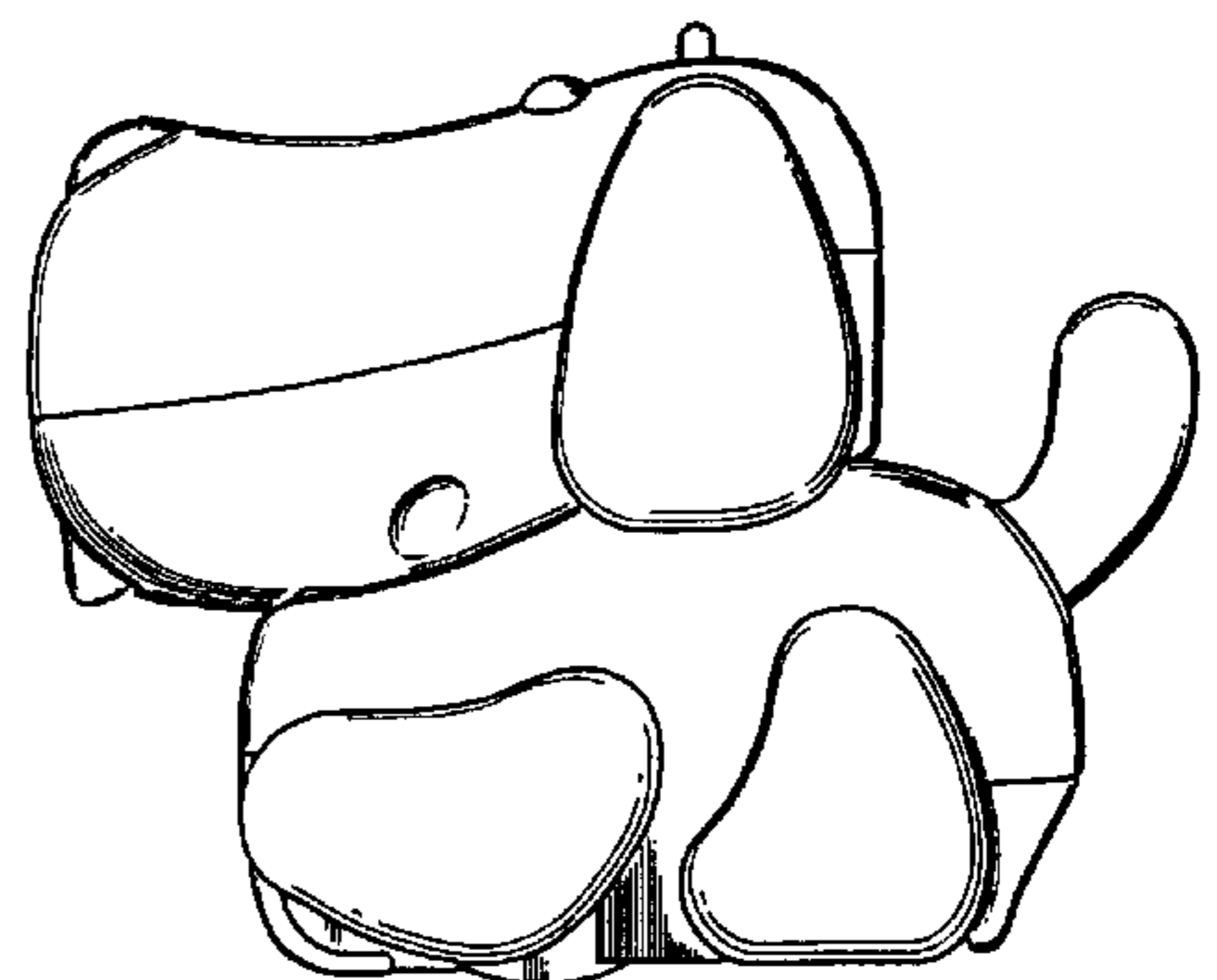
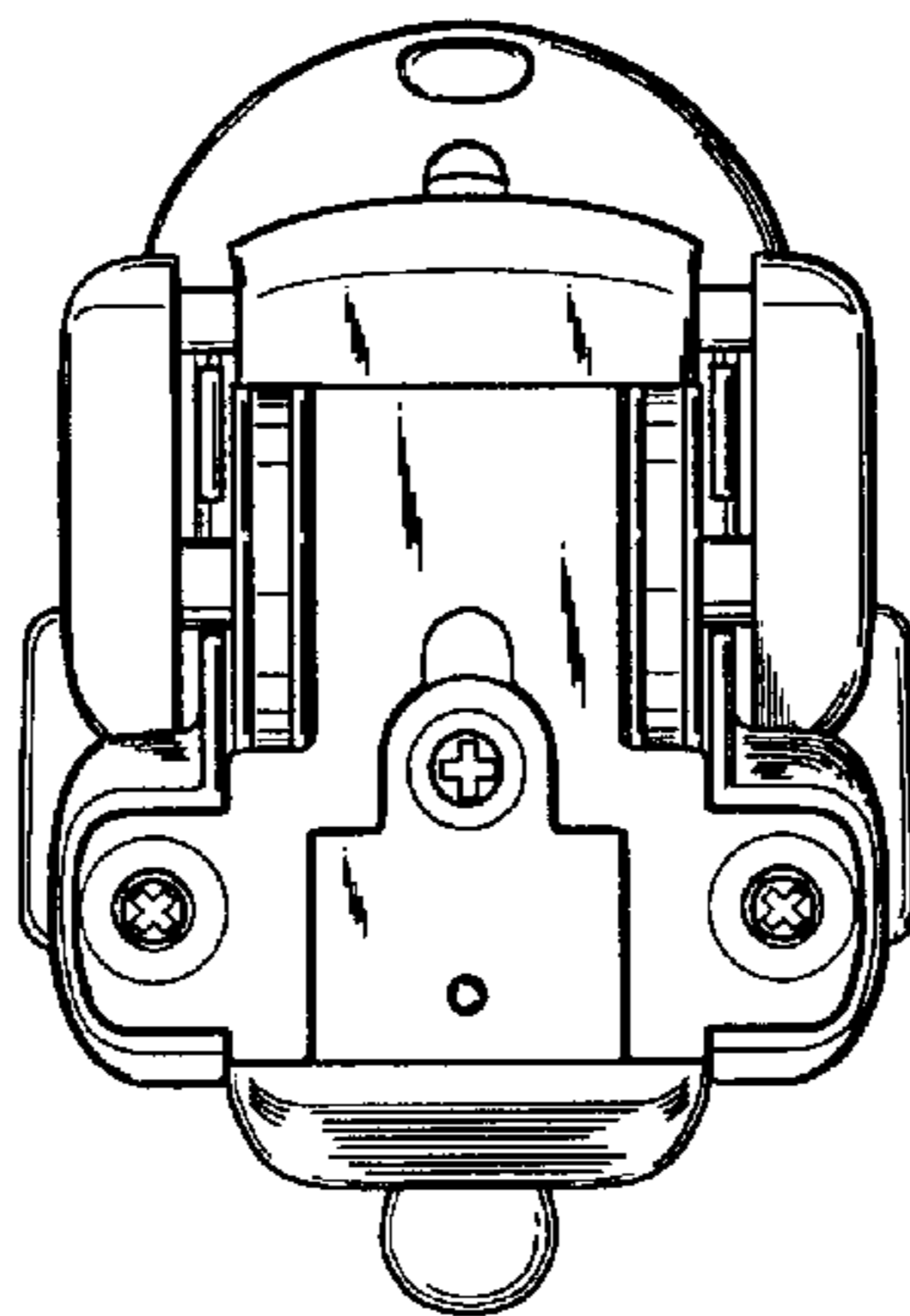
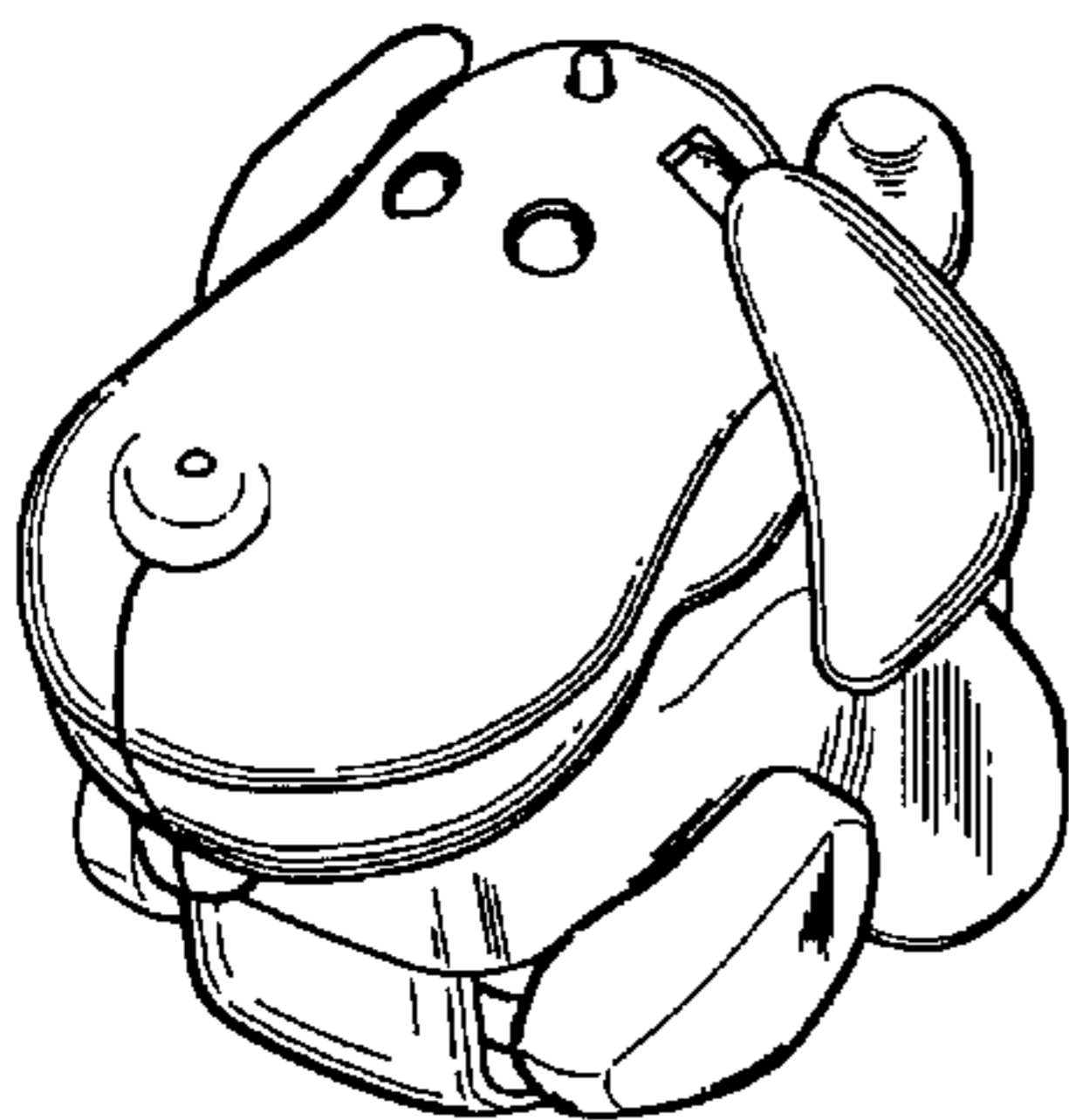


FIG. 1

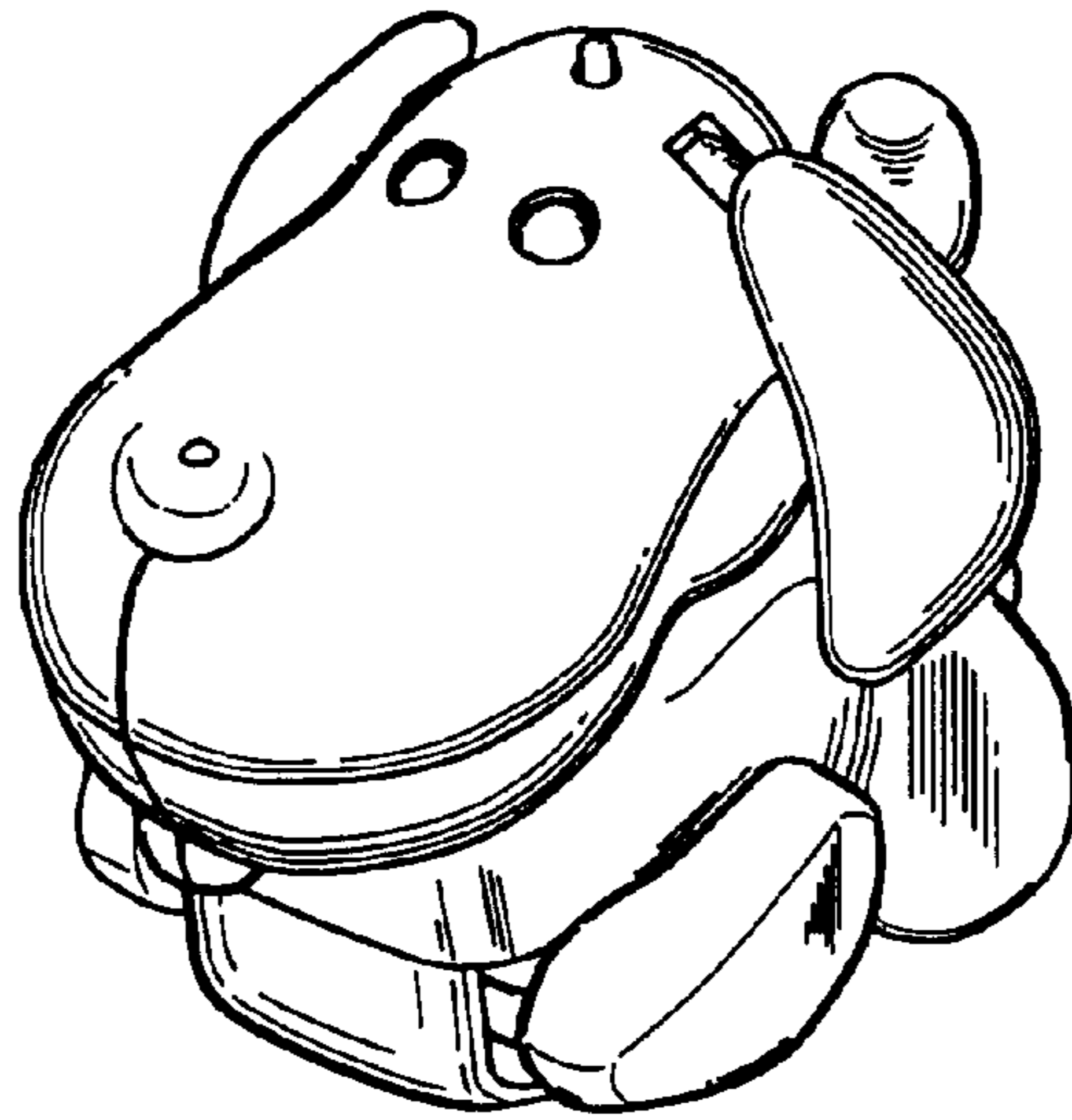


FIG. 2

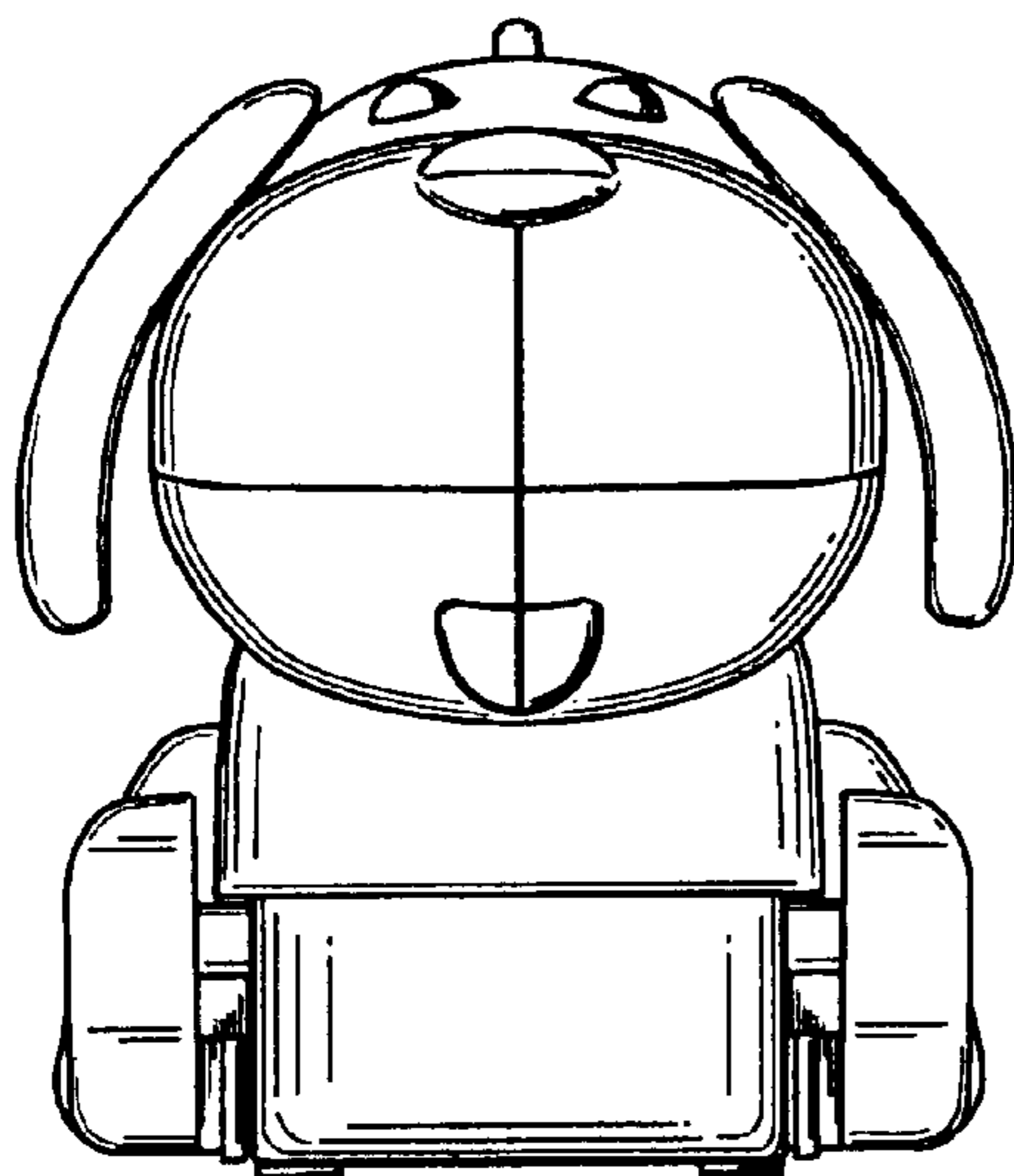


FIG. 3

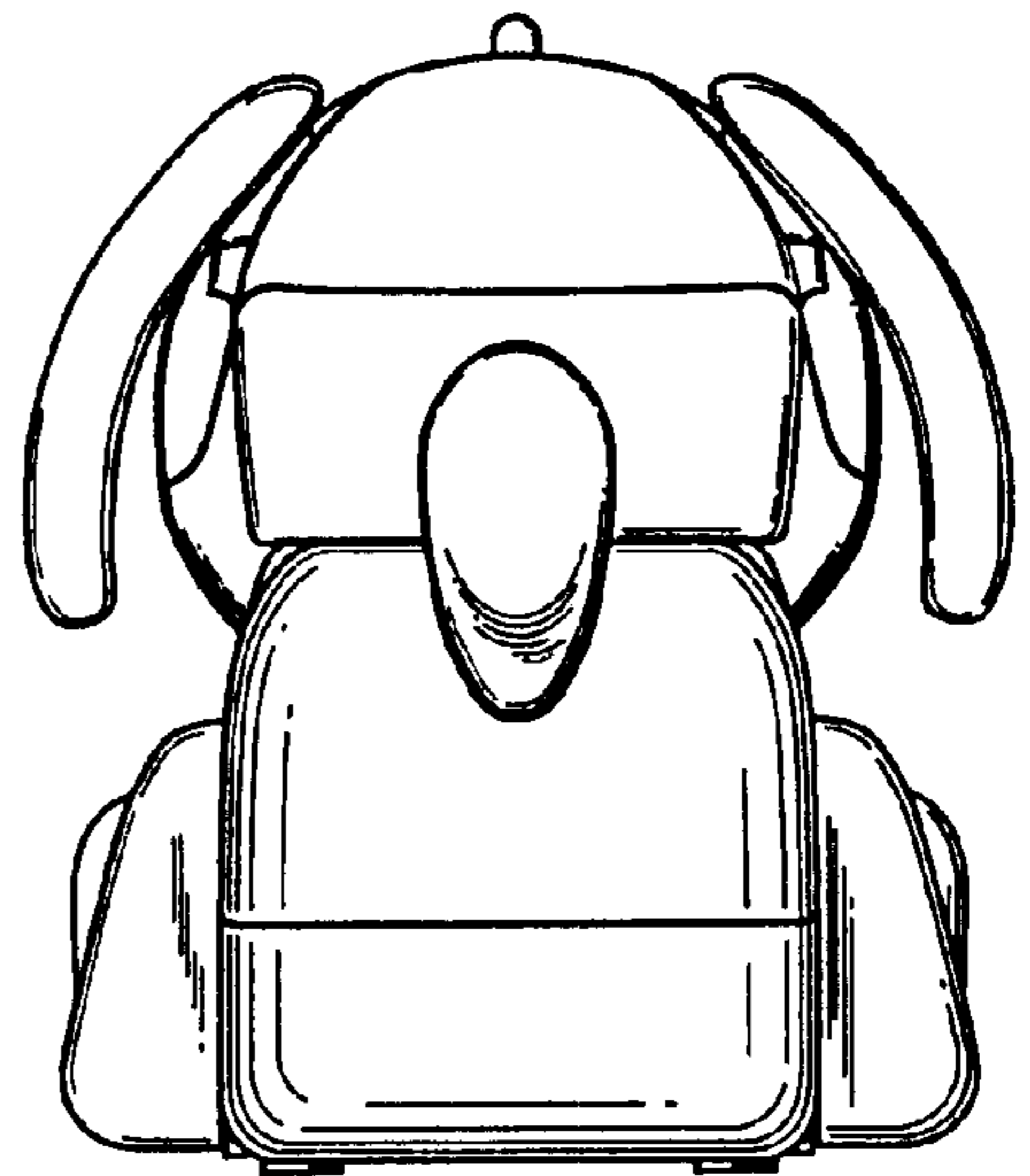


FIG. 4

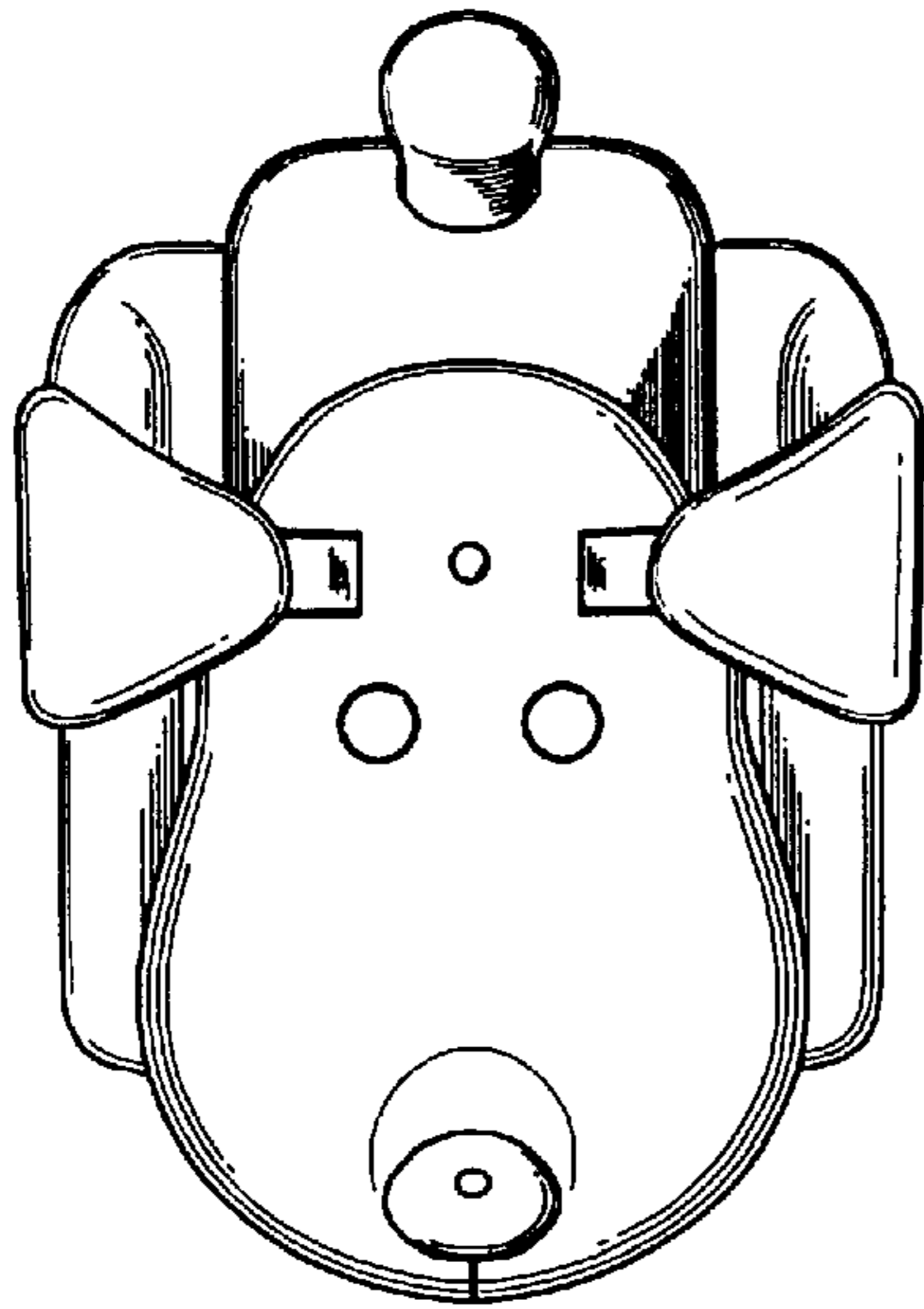


FIG. 5

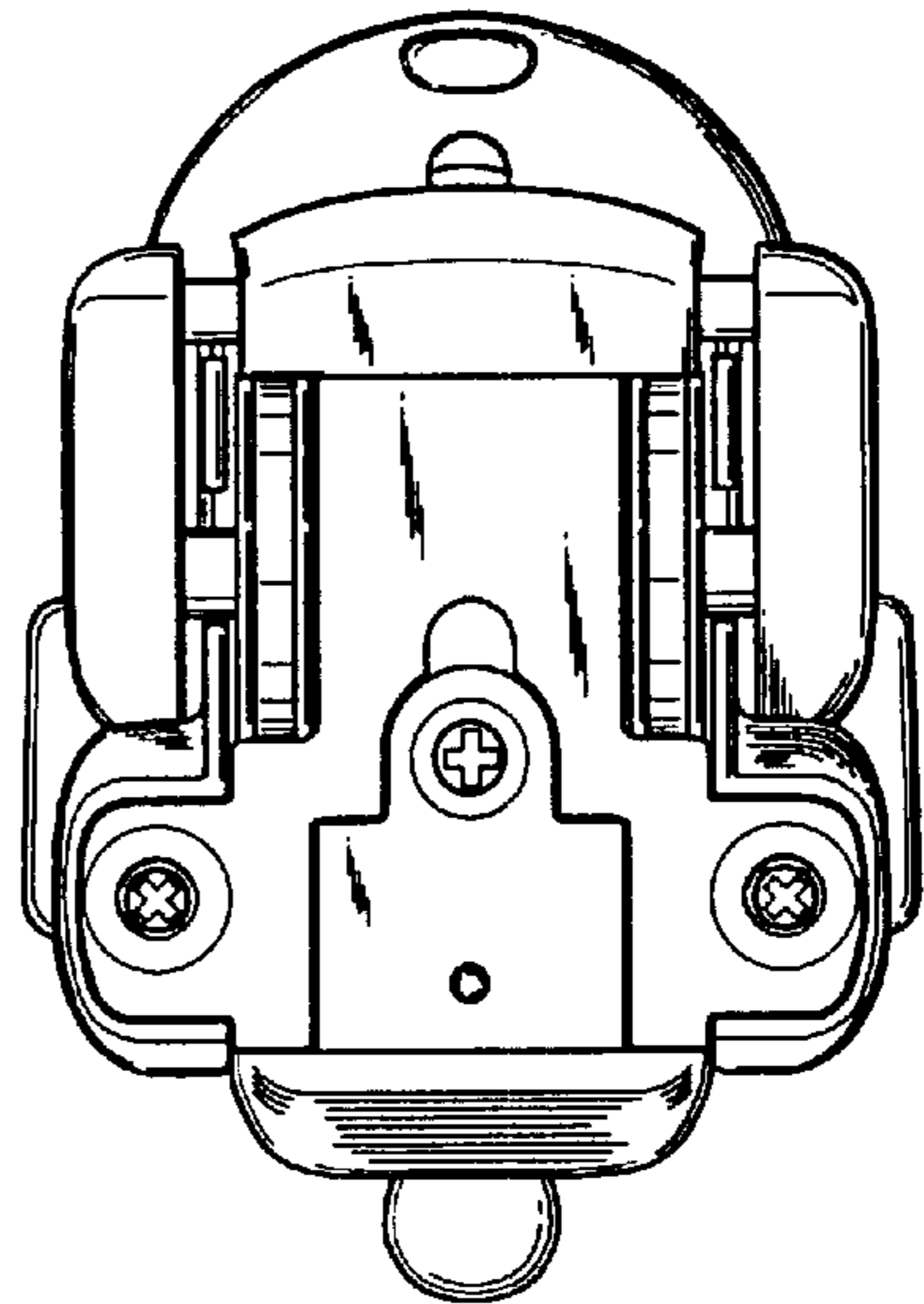


FIG. 6

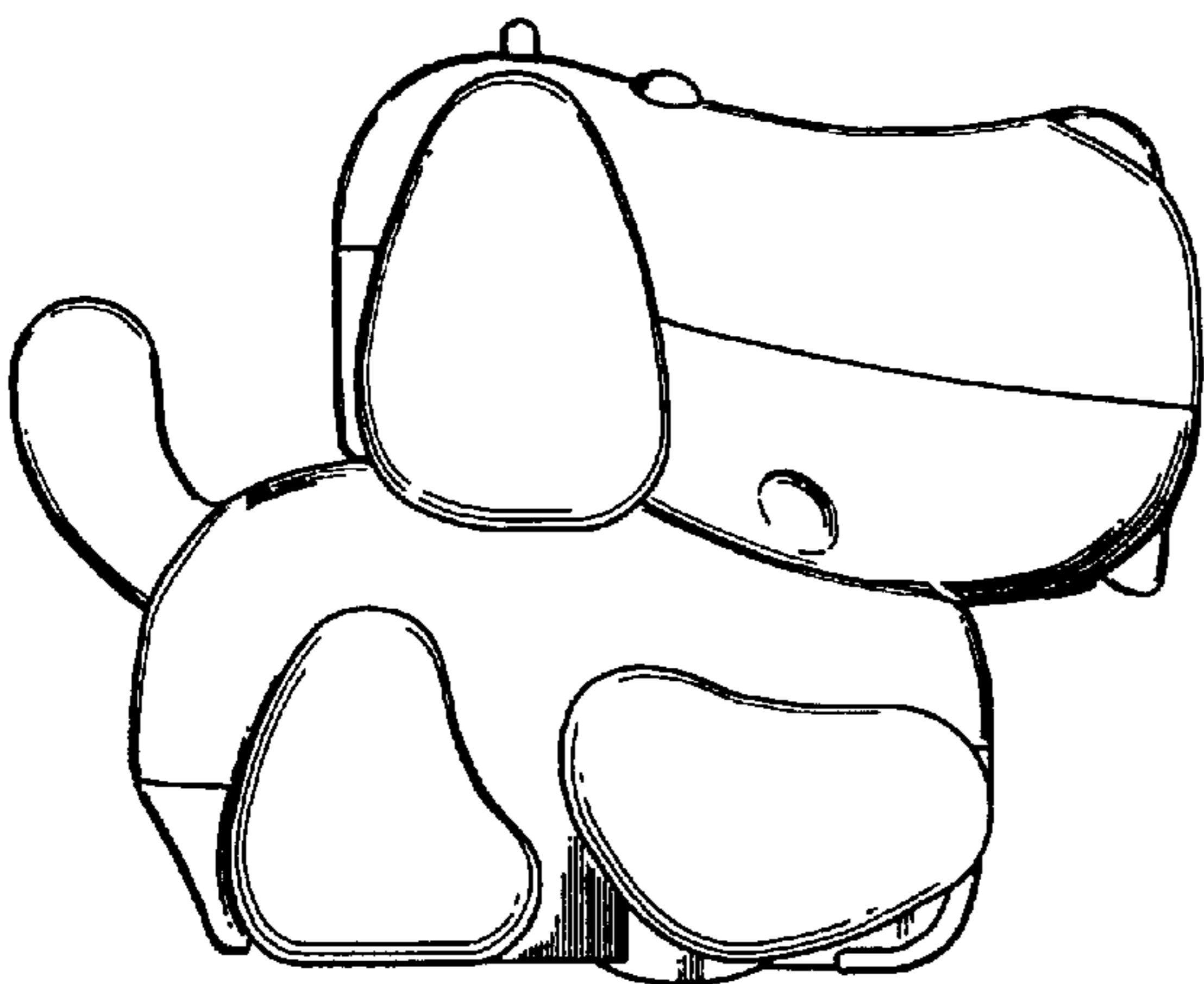


FIG. 7

