



US00D467980S

(12) **United States Design Patent**  
**Creech**

(10) **Patent No.:** **US D467,980 S**

(45) **Date of Patent:** **\*\* Dec. 31, 2002**

(54) **PORTABLE BOARD GAME ASSEMBLY**

(75) Inventor: **William Nelson Addison Creech**,  
Springfield, MA (US)

(73) Assignee: **Hasbro, Inc.**, Pawtucket, RI (US)

(\*\*) Term: **14 Years**

(21) Appl. No.: **29/159,016**

(22) Filed: **Apr. 15, 2002**

(51) **LOC (7) Cl.** ..... **21-01**

(52) **U.S. Cl.** ..... **D21/335; D21/338**

(58) **Field of Search** ..... **D21/334-368,**  
**D21/389; 273/236-288**

(56) **References Cited**

**U.S. PATENT DOCUMENTS**

1,781,529	A	*	11/1930	Shulman	.....	273/260
2,757,934	A	*	8/1956	Dunbar	.....	273/272
D255,038	S	*	5/1980	Itakura	.....	D21/385
D296,797	S	*	7/1988	Andrews	.....	D21/335
D296,909	S	*	7/1988	Lin	.....	D21/335
4,776,597	A		10/1988	Rudell	.....	273/241
4,819,945	A		4/1989	Porcheddu	.....	273/272
5,560,612	A		10/1996	Ippoliti et al.	.....	273/272
D450,093	S	*	11/2001	Elliott et al.	.....	D21/335

**FOREIGN PATENT DOCUMENTS**

GB 2121302 A 3/1983

**OTHER PUBLICATIONS**

1996 Selchow & Righter Co. Game Catalog. Inside cover, Scrabble game board.\*

\* cited by examiner

*Primary Examiner*—Sandra L. Morris

(74) *Attorney, Agent, or Firm*—Kurt R. Benson

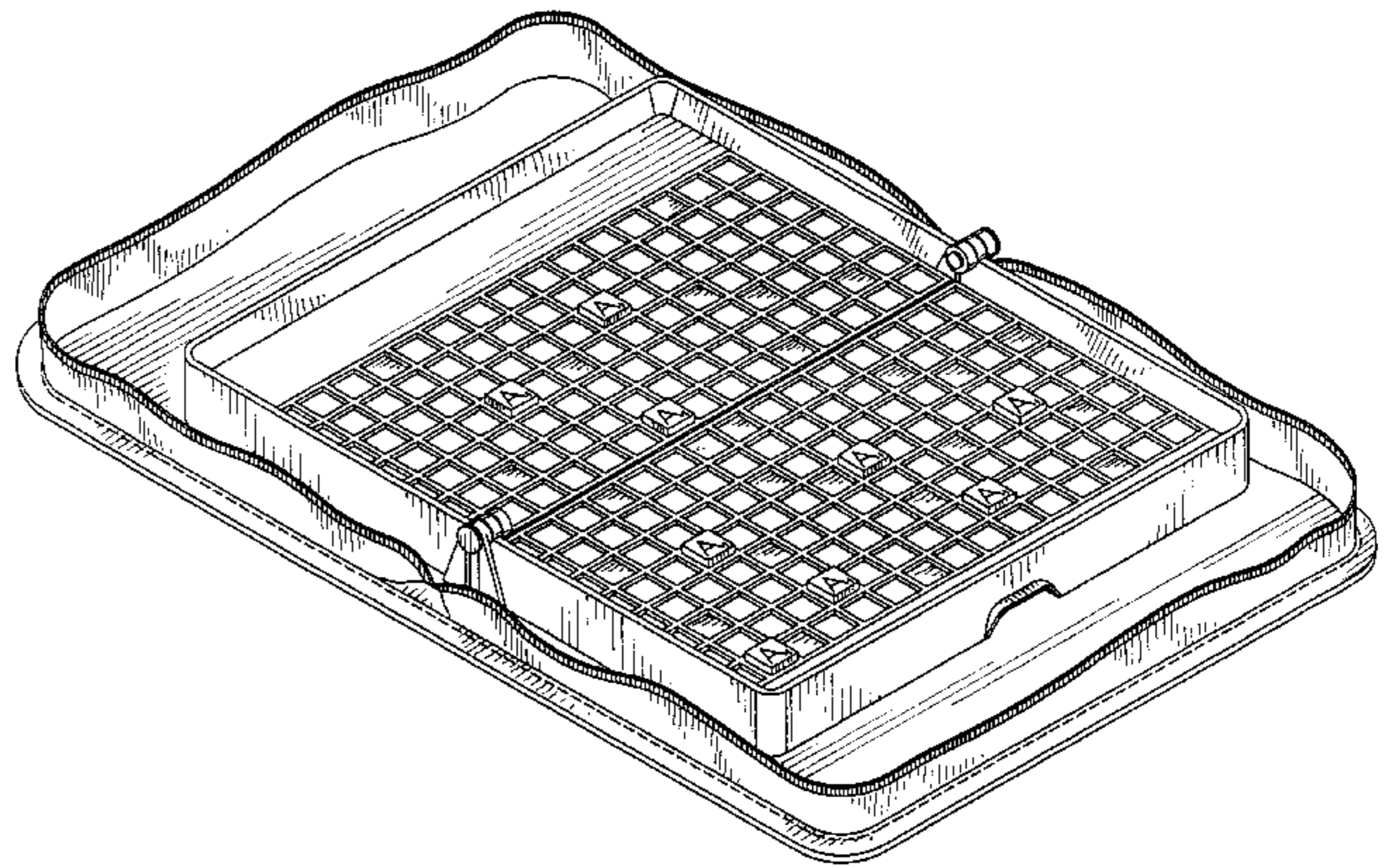
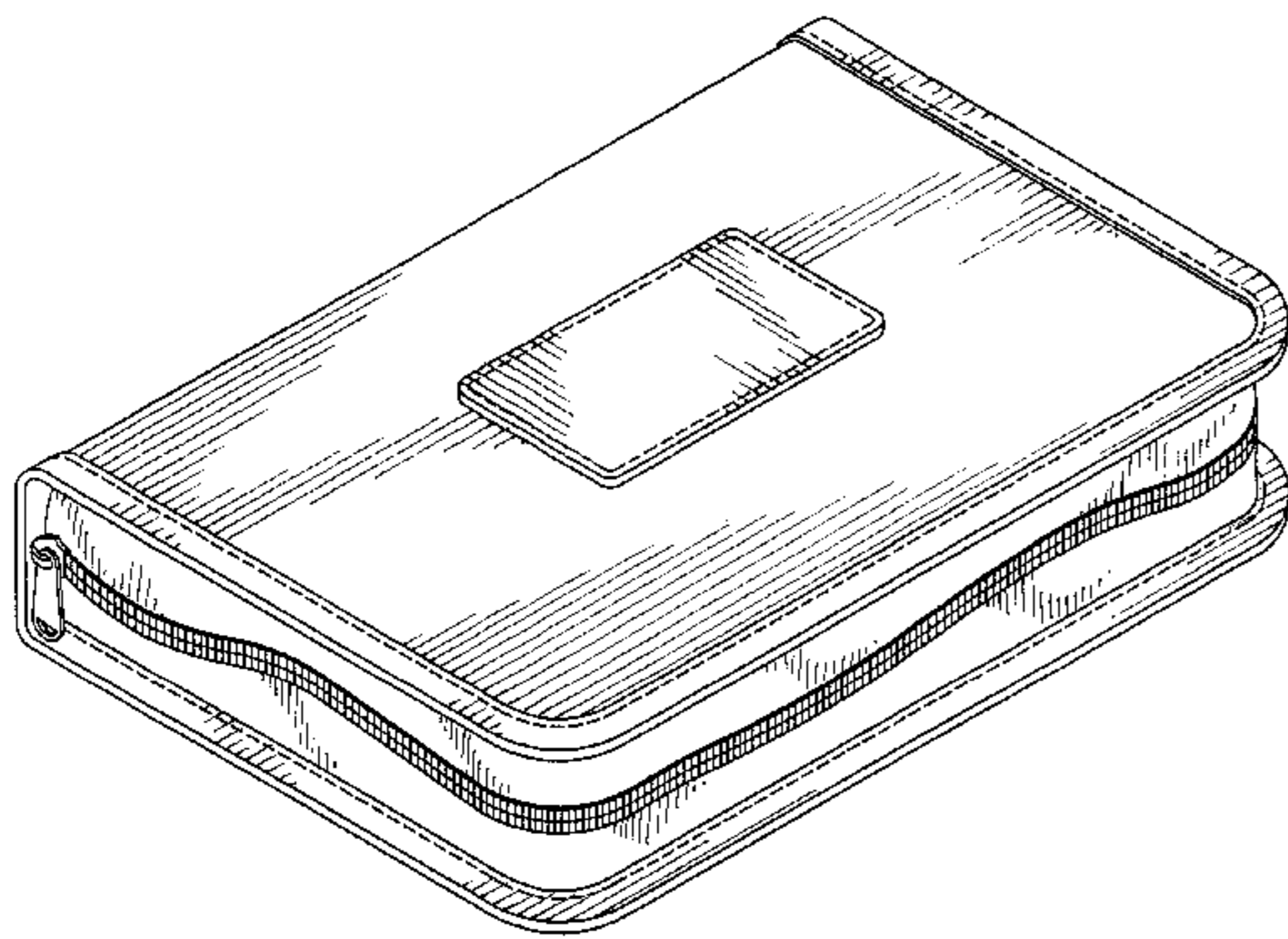
(57) **CLAIM**

The ornamental design for a portable board game assembly, as shown and described.

**DESCRIPTION**

FIG. 1 is a perspective view of the portable board game assembly of the instant invention in a closed position; FIG. 2 is a perspective view thereof in an open position, the game pieces shown in an alternate position; FIG. 3 is a top plan view thereof in the open position; FIG. 4 is a bottom plan view thereof in the open position; FIG. 5 is a front elevational view thereof in the open position; FIG. 6 is a rear elevational view thereof in the open position; FIG. 7 is a right side elevational view thereof in the open position; and, FIG. 8 is a left side elevational view thereof in the open position.

**1 Claim, 6 Drawing Sheets**



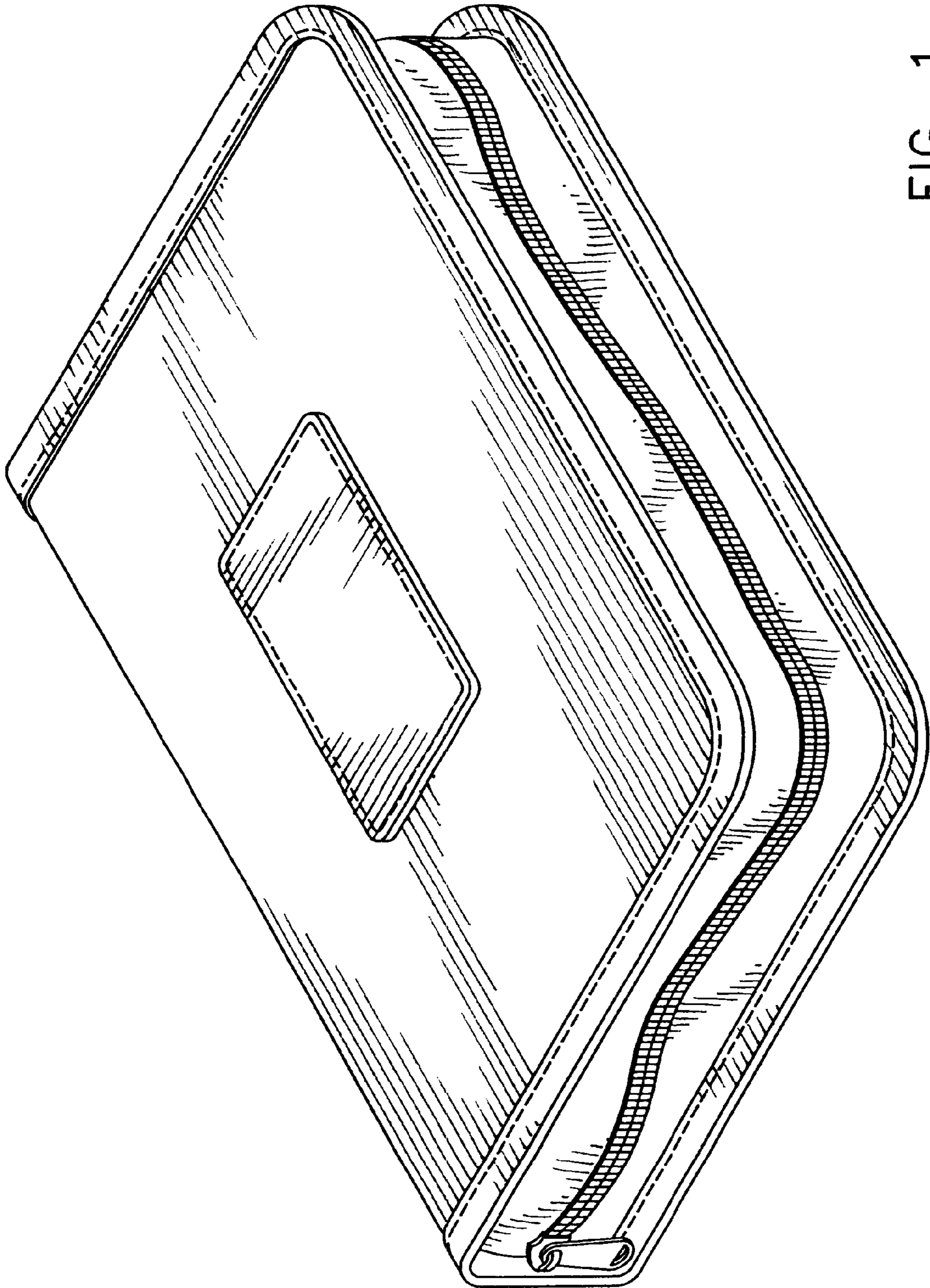


FIG. 1

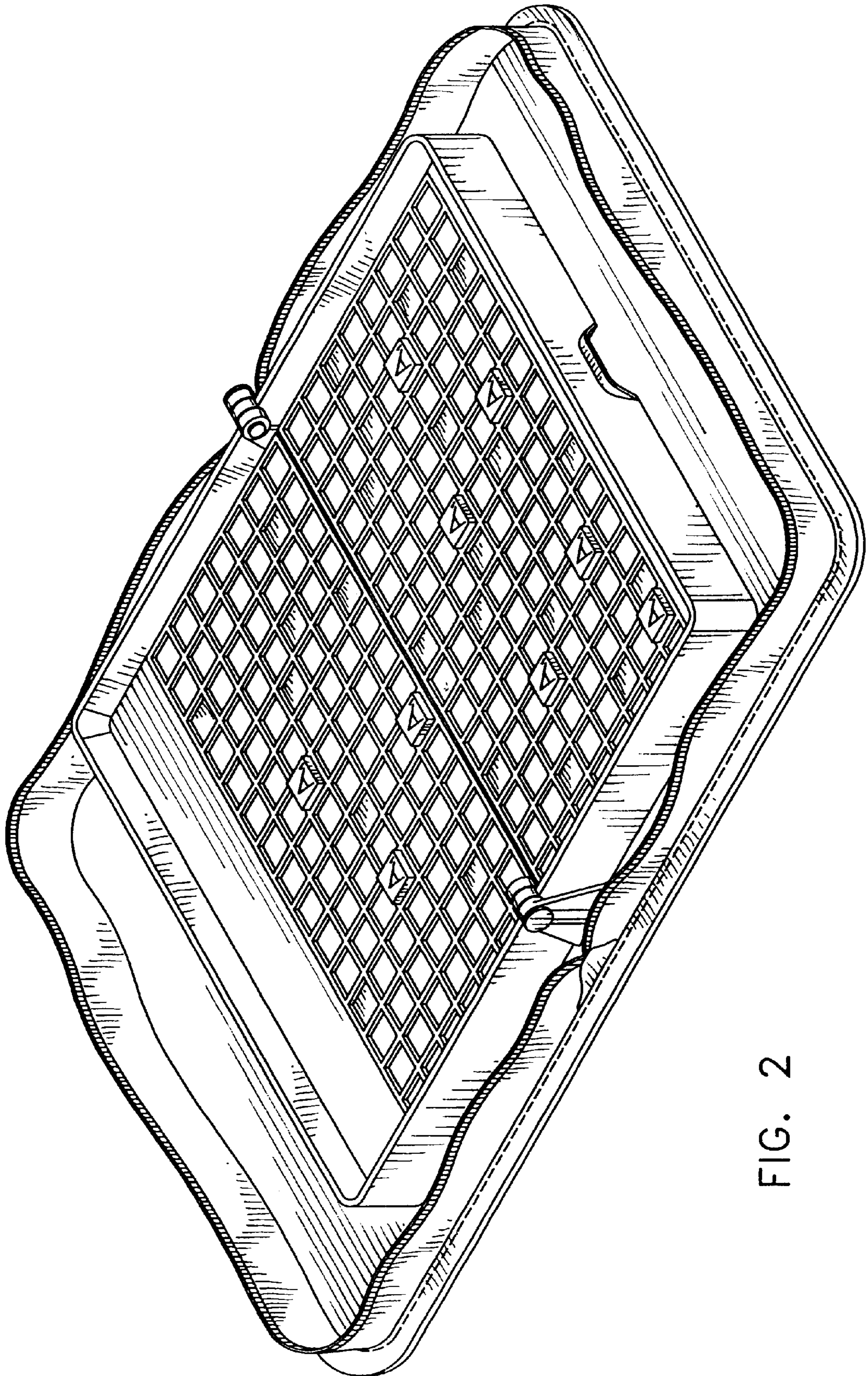


FIG. 2

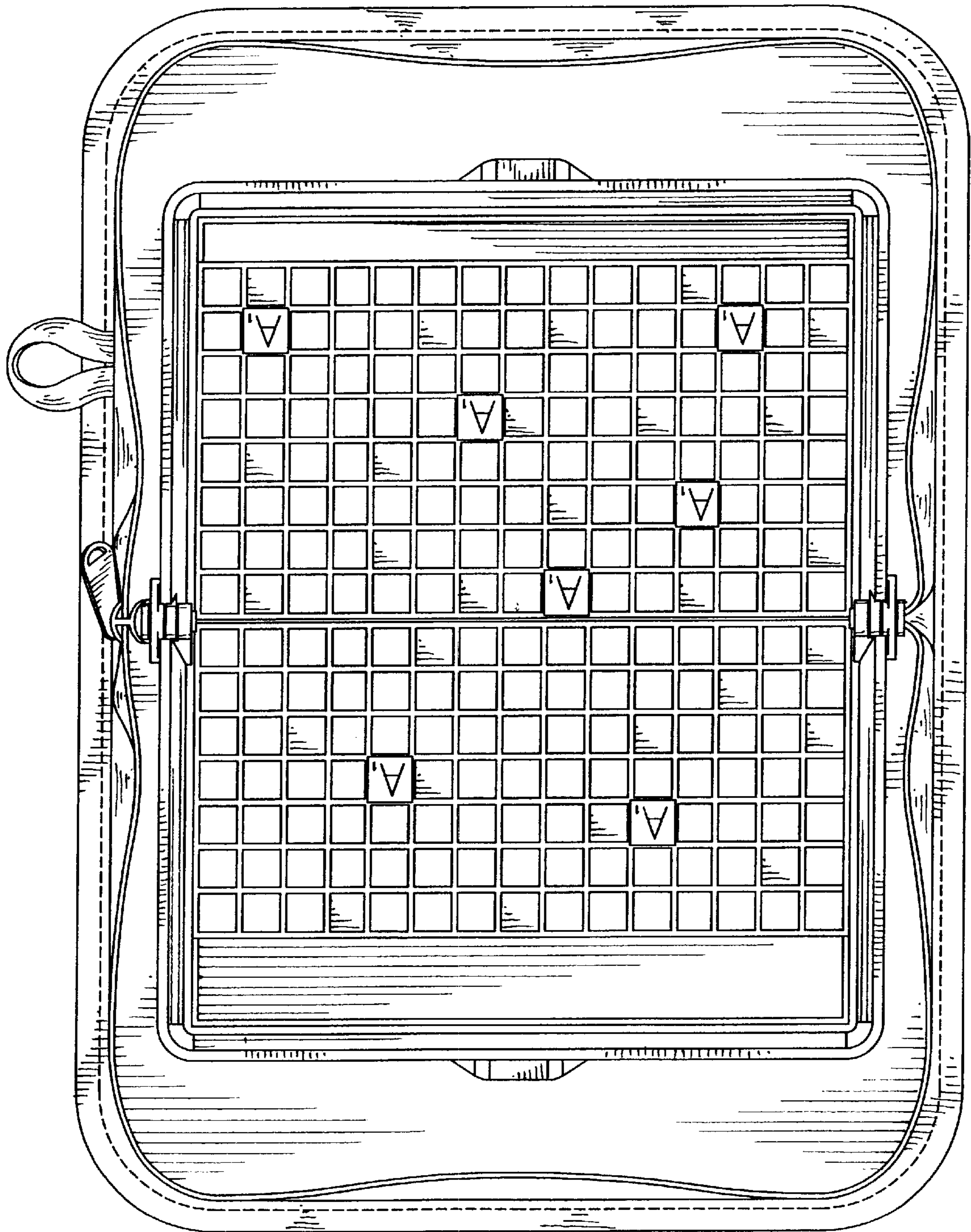


FIG. 3

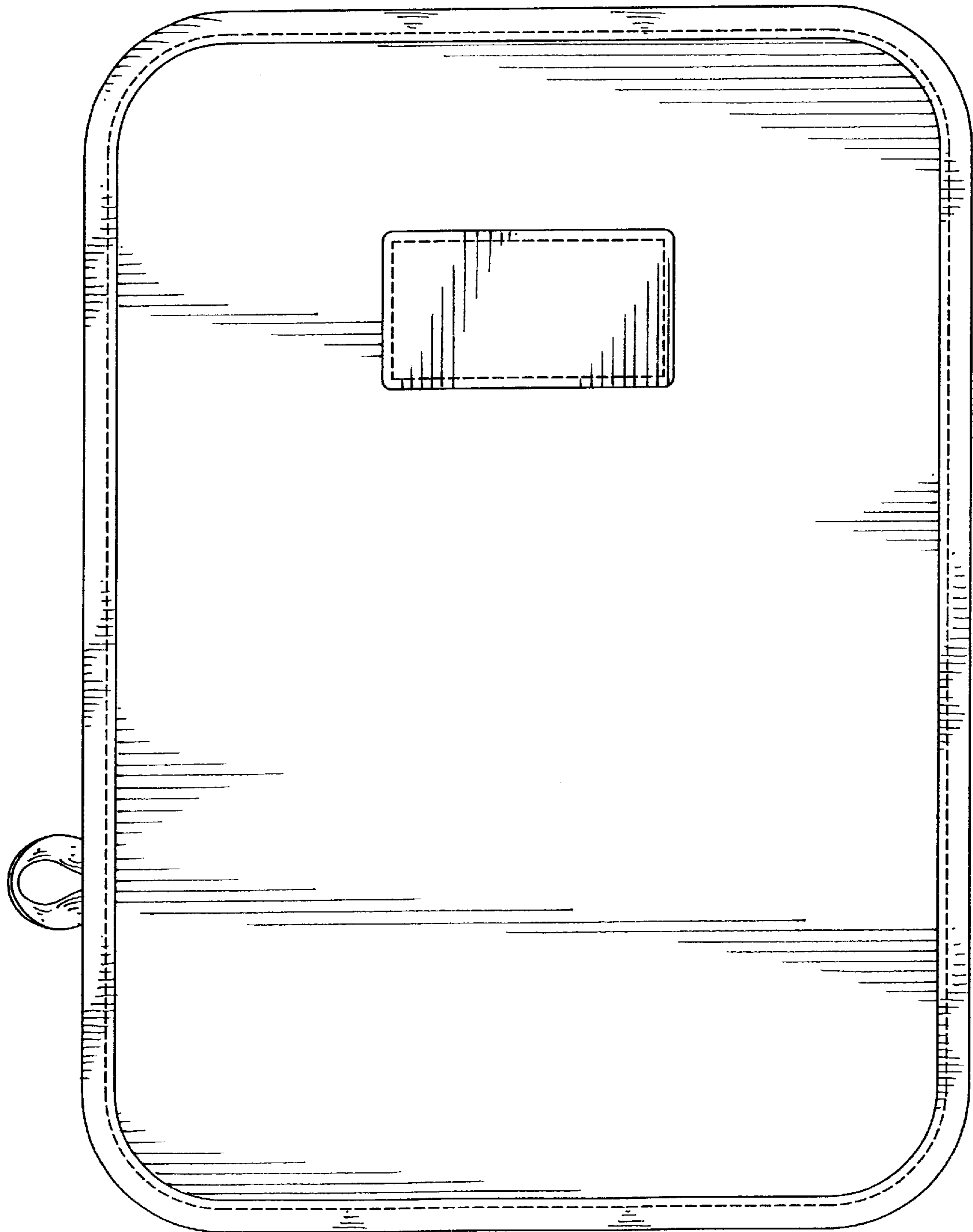


FIG. 4

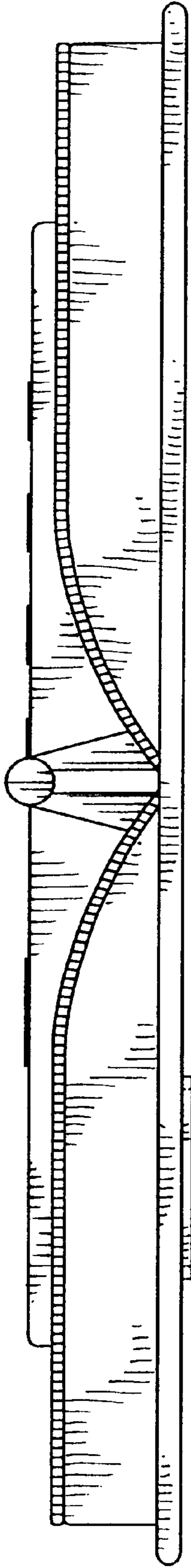


FIG. 5

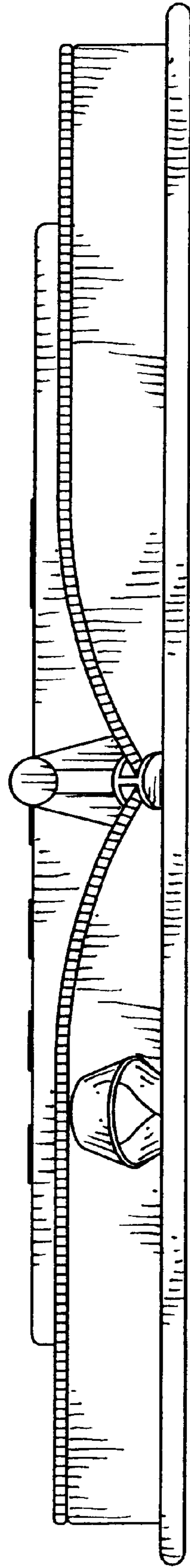


FIG. 6

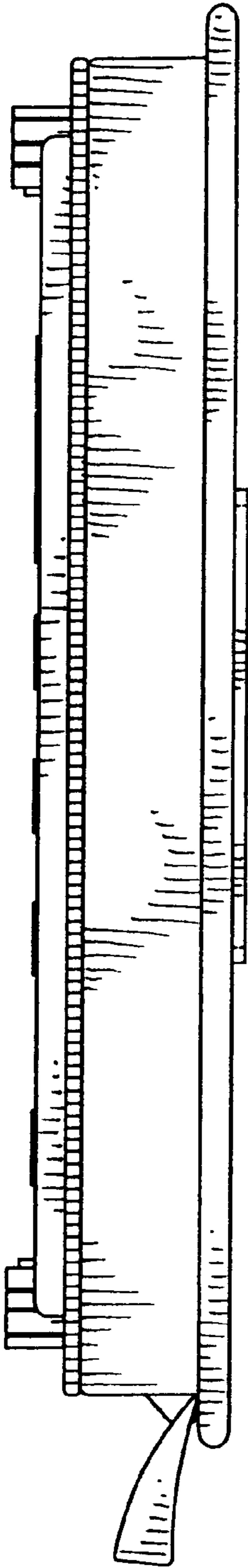


FIG. 7

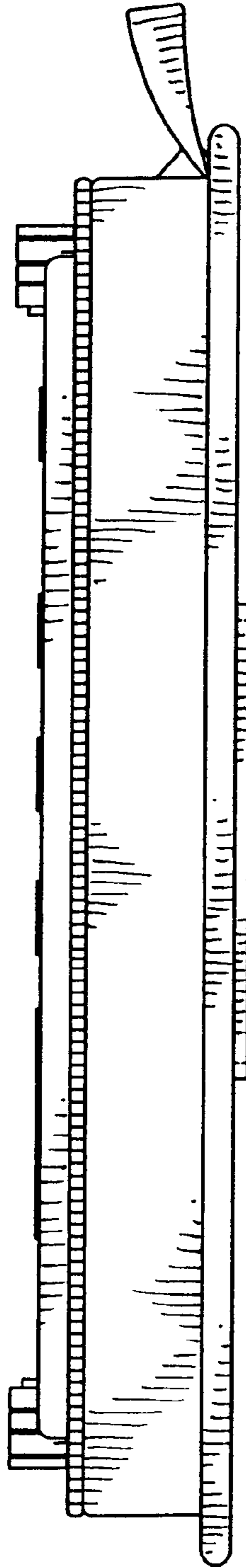


FIG. 8