



US00D467978S

(12) **United States Design Patent**  
**Lee**

(10) **Patent No.:** **US D467,978 S**

(45) **Date of Patent:** **\*\* Dec. 31, 2002**

(54) **SHARK-LIGHT FOR HAND-HELD VIDEO GAME**

(75) **Inventor:** **Man Tat Lee, Tsuen Wan (HK)**

(73) **Assignee:** **InterAct Accessories, Inc., Hunt Valley, MD (US)**

(\*\*) **Term:** **14 Years**

(21) **Appl. No.:** **29/151,100**

(22) **Filed:** **Dec. 5, 2001**

(51) **LOC (7) Cl.** ..... **21-01**

(52) **U.S. Cl.** ..... **D21/333**

(58) **Field of Search** ..... D21/324-333,  
D21/385; D26/37, 50, 51, 57; 362/26, 257,  
362, 365, 135, 109, 565-569, 806-811;  
273/148 B; 463/1, 29.35, 46, 47

(56) **References Cited**

**U.S. PATENT DOCUMENTS**

- 1,357,976 A \* 11/1920 Hammond, Jr. .... 362/456
- 2,698,495 A \* 1/1955 Ciampa ..... 362/808
- 3,727,044 A \* 4/1973 Monroy ..... 362/565

- 5,865,533 A \* 2/1999 Liu ..... 362/565
- D439,353 S \* 3/2001 Neiser ..... D21/333
- 6,290,565 B1 \* 9/2001 Galyean, III et al. ... 273/148 B
- 6,312,335 B1 \* 11/2001 Tosaki et al. .... 273/148 B

\* cited by examiner

*Primary Examiner*—Prabhakar Deshmukh

(74) *Attorney, Agent, or Firm*—Morrison & Foerster LLP

(57) **CLAIM**

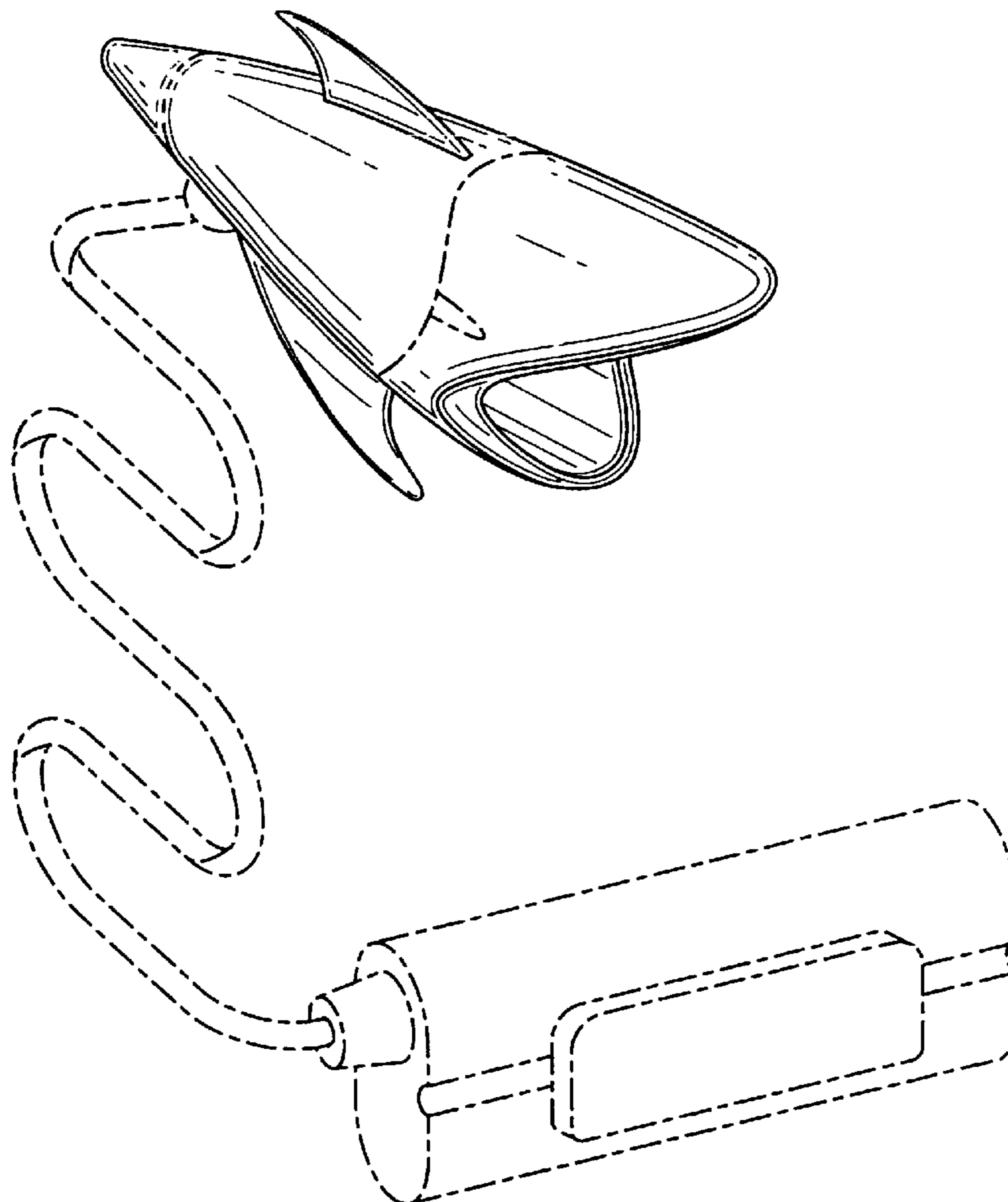
The ornamental design for shark-light for hand-held video game, substantially as shown and described.

**DESCRIPTION**

FIG. 1 is a perspective view of a shark-light for hand-held video game showing my new design;  
 FIG. 2 is a side elevational view thereof;  
 FIG. 3 is an opposite side elevational view of FIG. 2;  
 FIG. 4 is a front elevational view thereof;  
 FIG. 5 is a rear elevational view thereof;  
 FIG. 6 is a bottom plan view thereof; and,  
 FIG. 7 is a top plan view thereof.

The broken lines are for illustrative purpose only and forms no part of the claimed design.

**1 Claim, 4 Drawing Sheets**



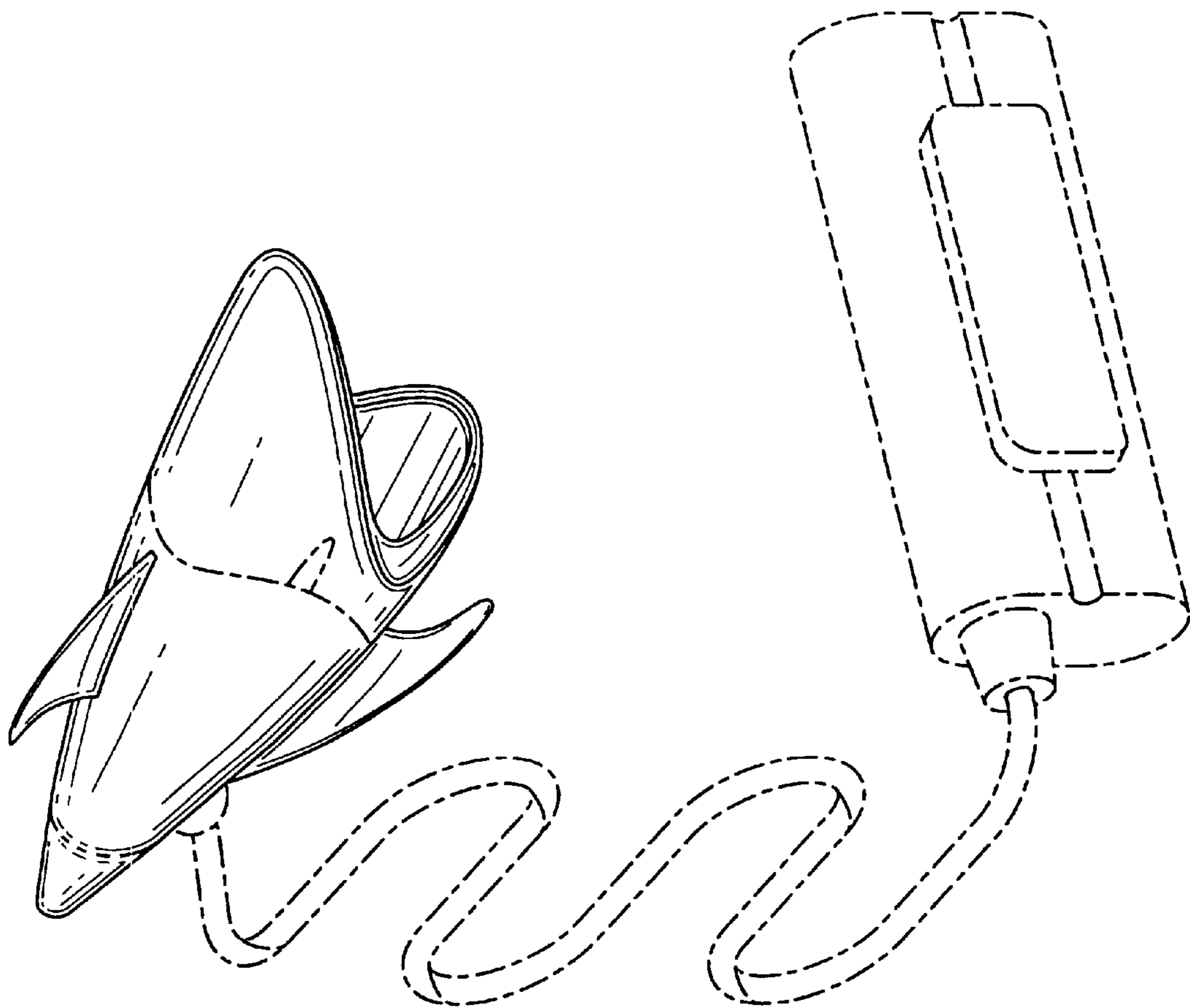


FIG. 1

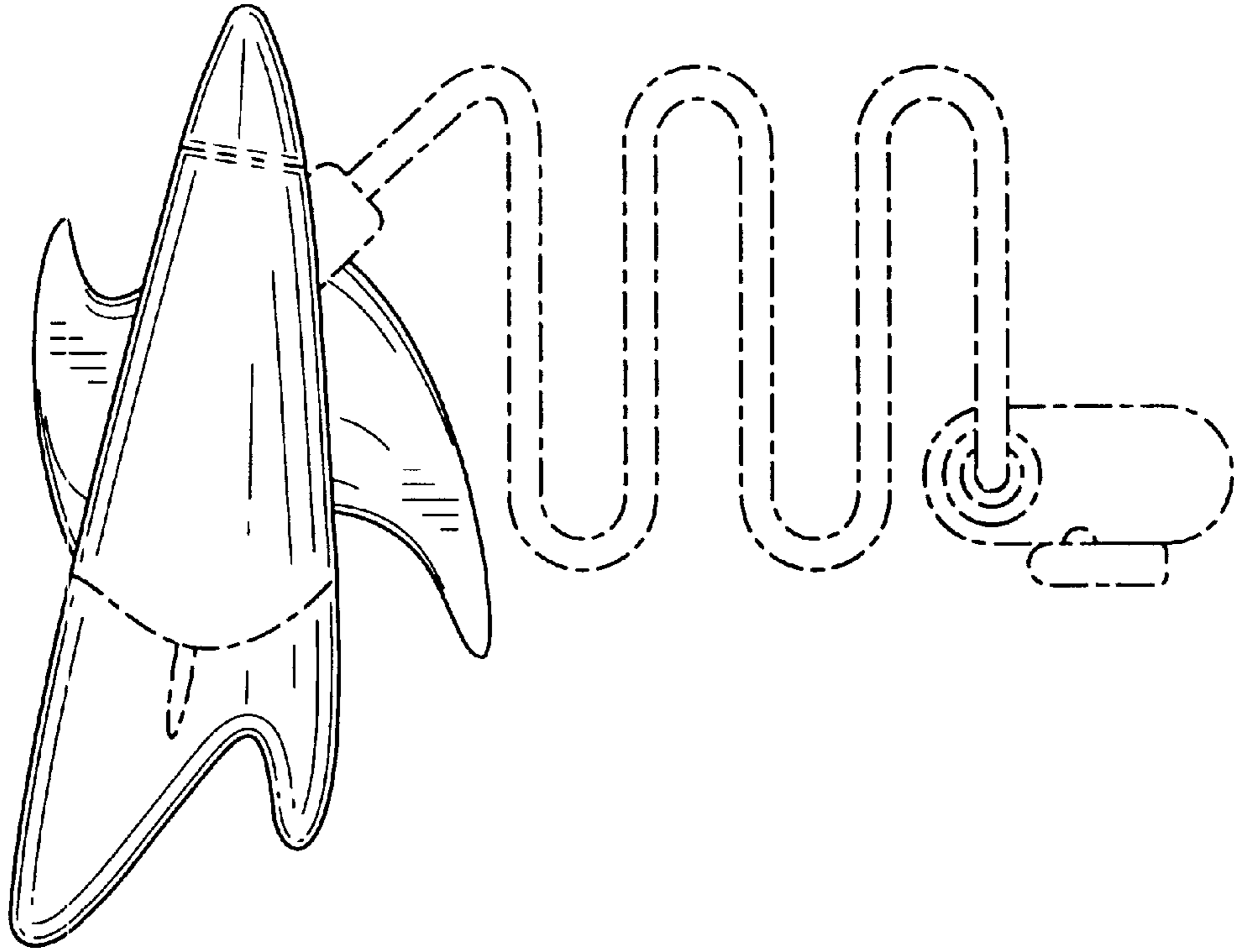


FIG. 3

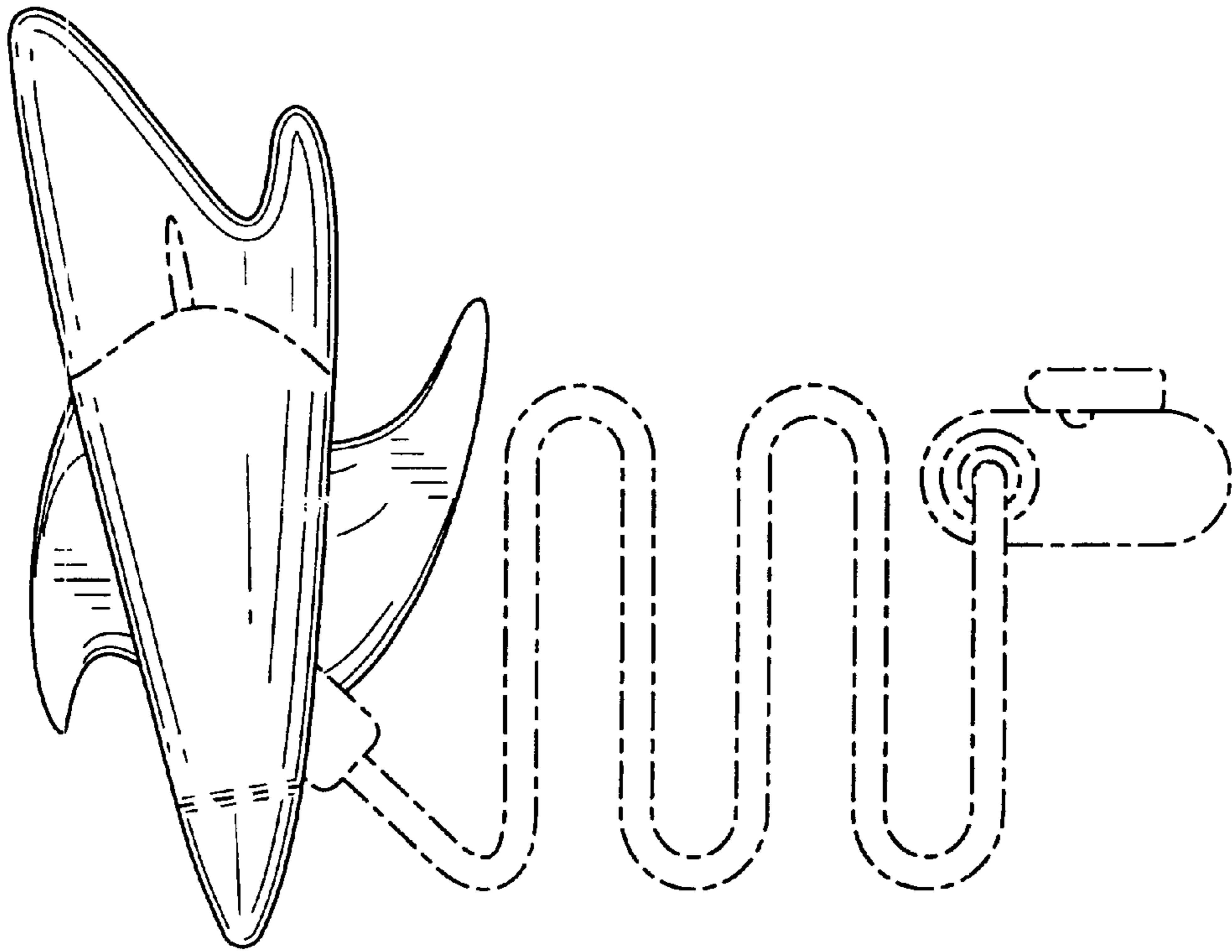


FIG. 2

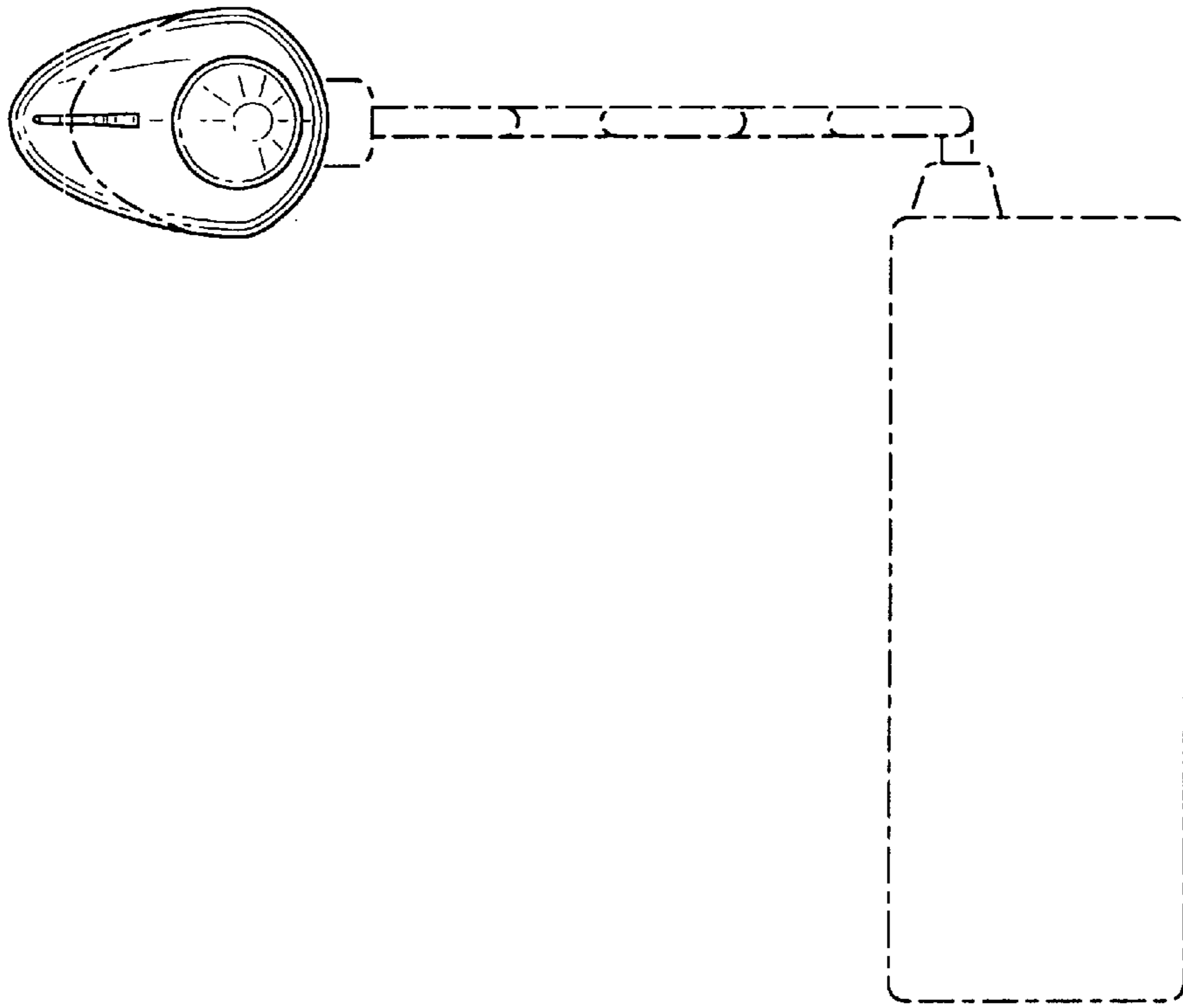


FIG. 5

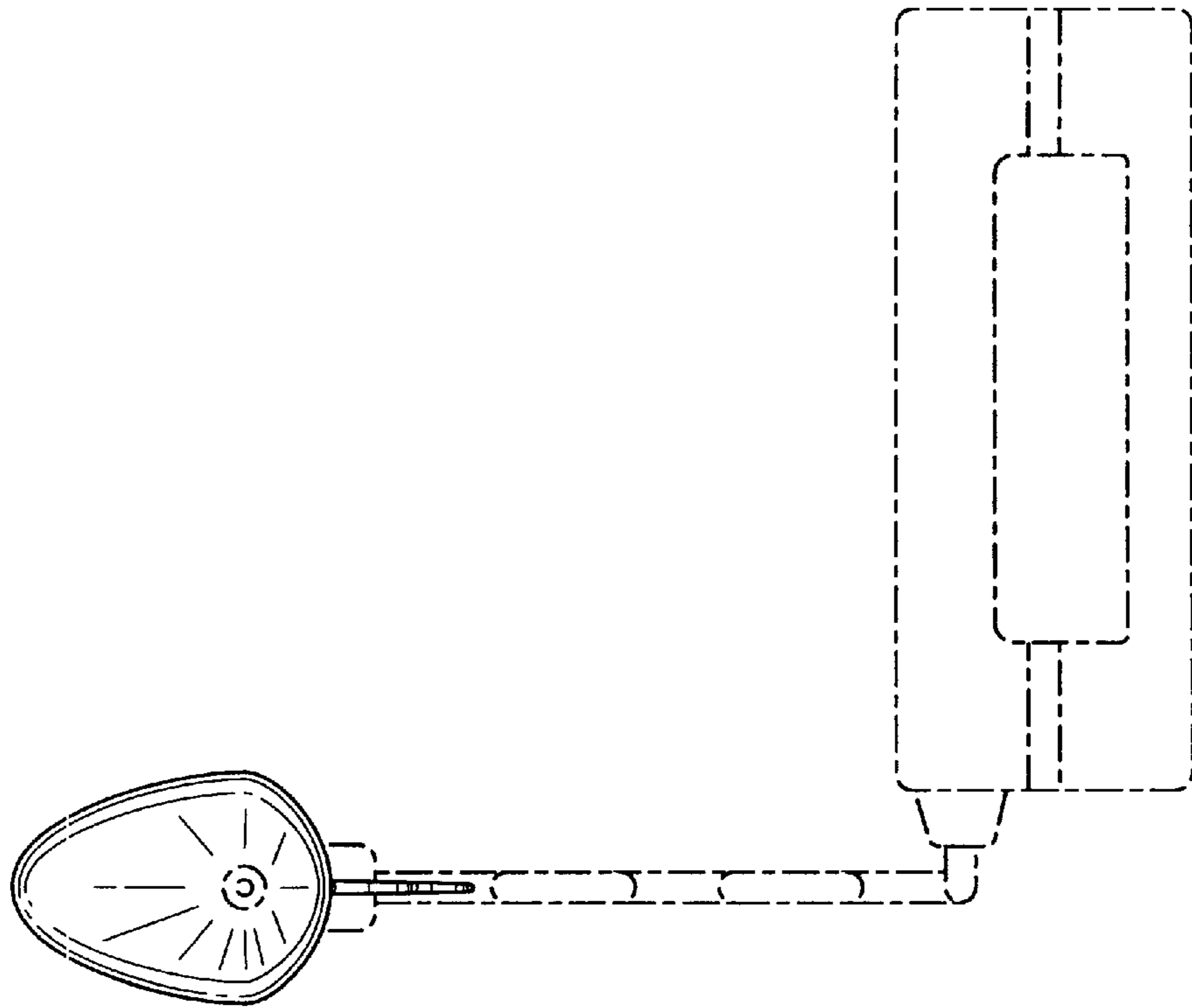


FIG. 4

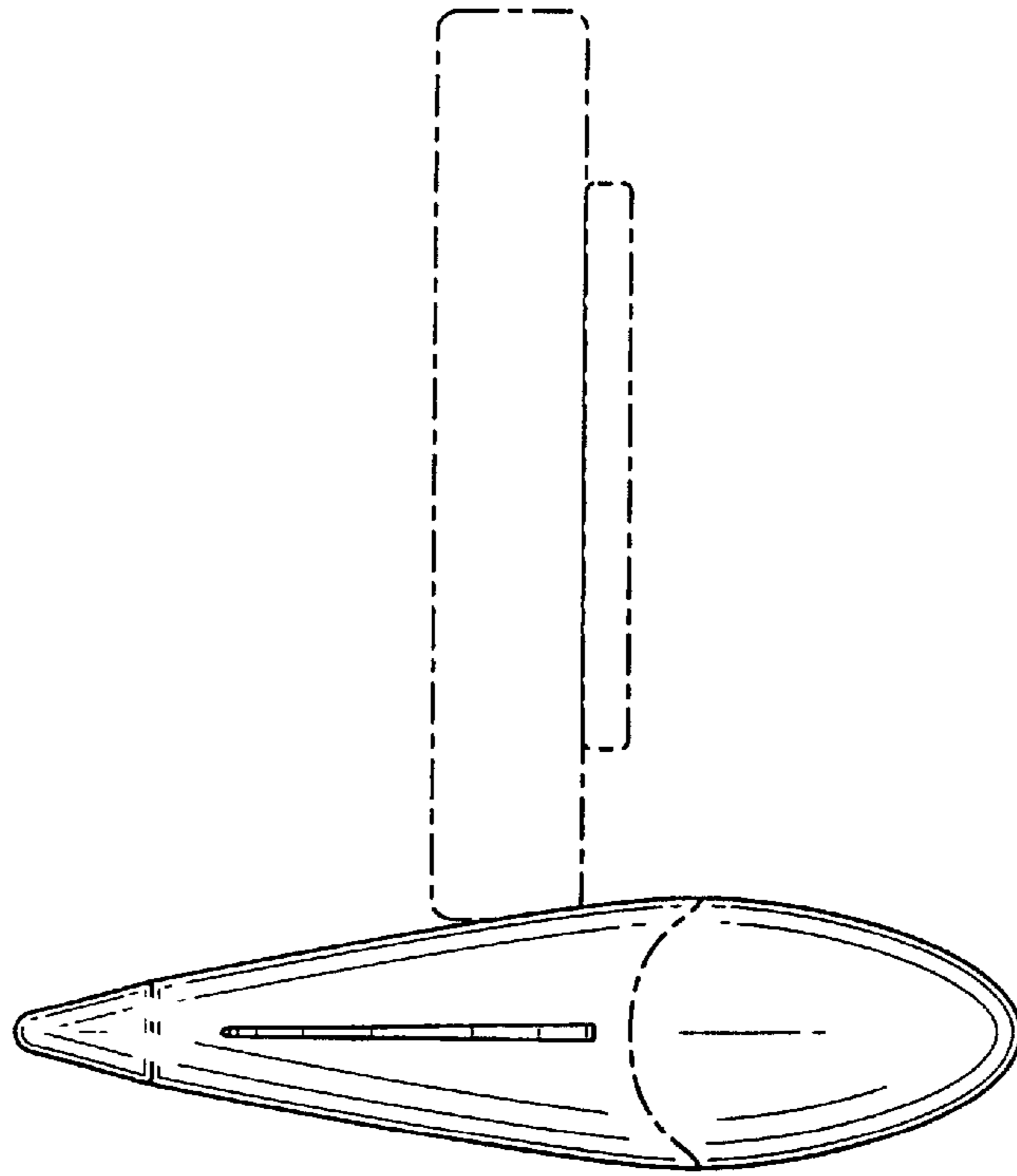


FIG. 6

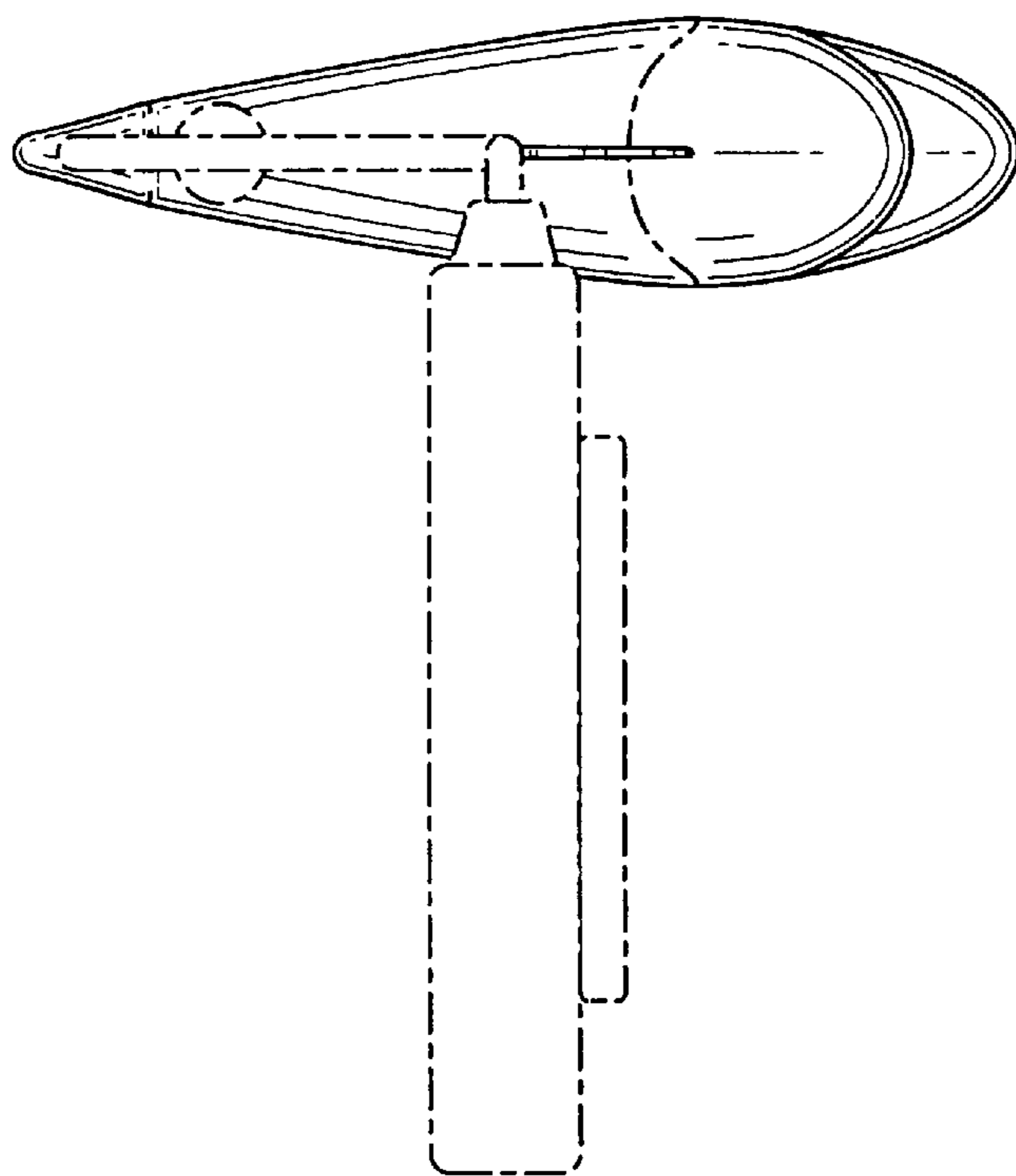


FIG. 7