



US00D467977S

(12) **United States Design Patent**
Gatto et al.

(10) **Patent No.:** **US D467,977 S**

(45) **Date of Patent:** **** Dec. 31, 2002**

(54) **ELECTRONIC GAME MACHINE**

6,251,015 B1 * 6/2001 Caprai 463/37
6,402,617 B2 * 6/2002 Gouji et al. 463/37

(75) Inventors: **Jean-Marie Gatto**, London (GB);
Thierry Brunet de Courssou, Palo
Alto, CA (US); **Pierre-Jean Beney**,
London (GB)

* cited by examiner

Primary Examiner—Prabhakar Deshmukh
(74) *Attorney, Agent, or Firm*—Young Law Firm, P.C.

(73) Assignee: **Cyberscan Technology, Inc.**, Palo Alto,
CA (US)

(57) **CLAIM**

(**) Term: **14 Years**

The ornamental design for electronic game machine, as
shown.

(21) Appl. No.: **29/159,761**

DESCRIPTION

(22) Filed: **Apr. 24, 2002**

FIG. 1 is a perspective view of the electronic game machine
according to the present invention.

(51) **LOC (7) Cl.** **21-01**

FIG. 2 is a right side view of the electronic game machine
of FIG. 1.

(52) **U.S. Cl.** **D21/326**

(58) **Field of Search** D21/324–327,
D21/811; 463/1, 30, 46, 47, 48, 49, 50,
51, 58; 273/148 B

FIG. 3 is a left side view of the electronic game machine of
FIG. 1.

(56) **References Cited**

FIG. 4 is a front view of the electronic game machine of FIG.
1.

U.S. PATENT DOCUMENTS

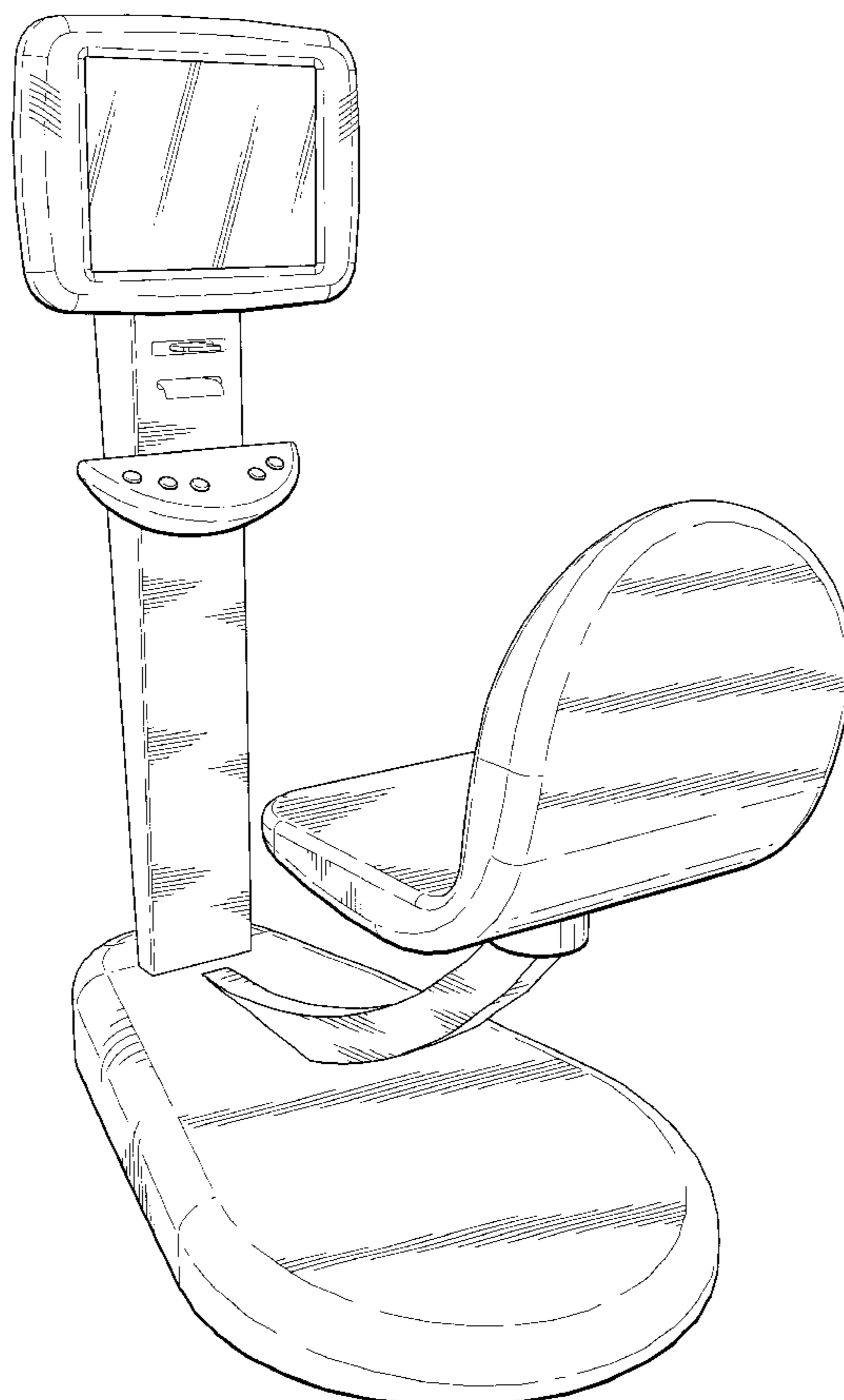
5,196,746 A * 3/1993 Boyd et al. 463/37
D376,391 S * 12/1996 Okumura D21/326
D384,705 S * 10/1997 Muraki et al. D21/326
D392,688 S * 3/1998 Isetani et al. D21/326
D407,758 S * 4/1999 Isetani et al. D21/326
6,132,314 A * 10/2000 Aiki 463/37

FIG. 5 is a rear view of the electronic game machine of FIG.
1.

FIG. 6 is a top view of the electronic game machine of FIG.
1; and,

FIG. 7 is a bottom view of the electronic game machine of
FIG. 1.

1 Claim, 6 Drawing Sheets



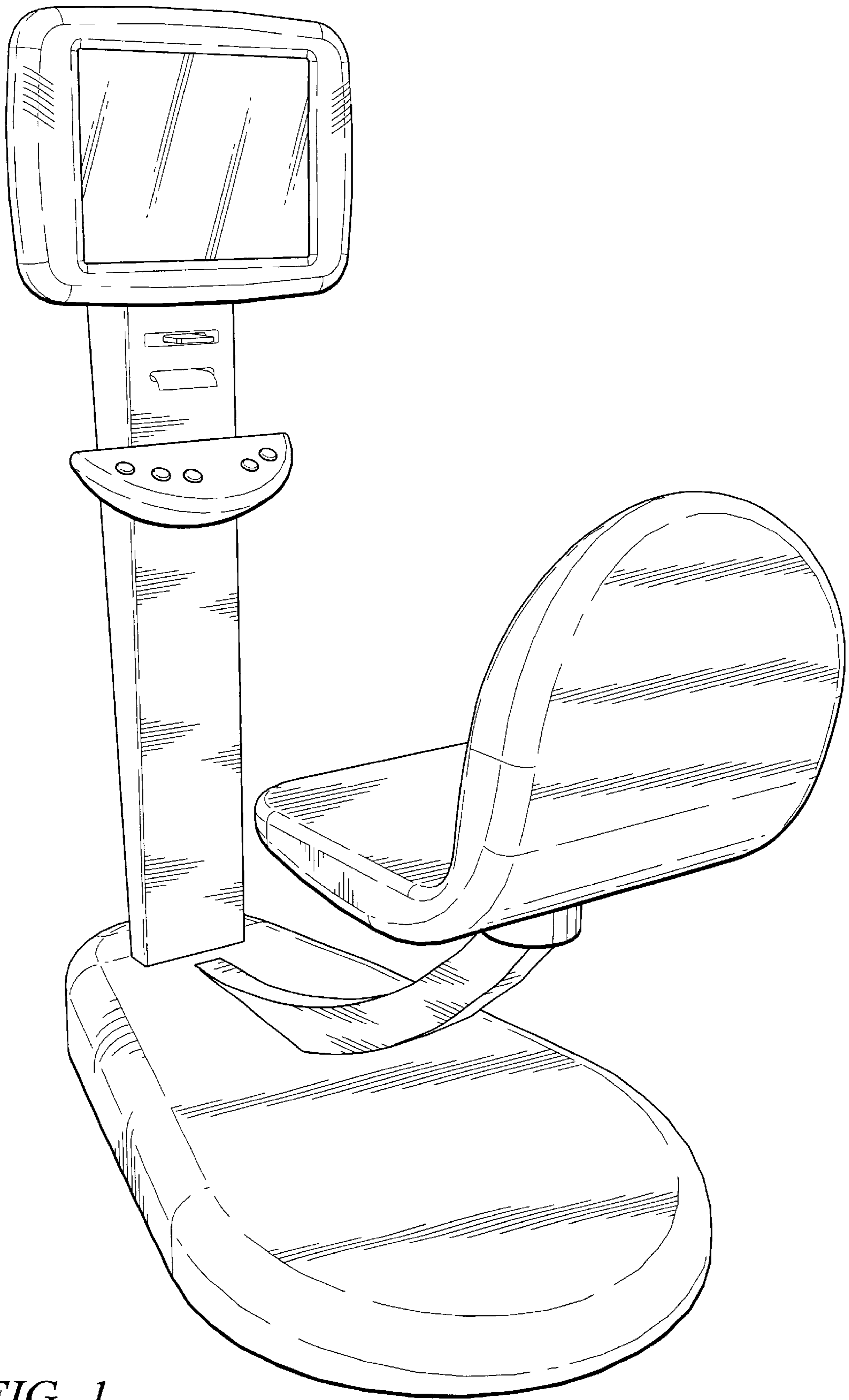


FIG.-1

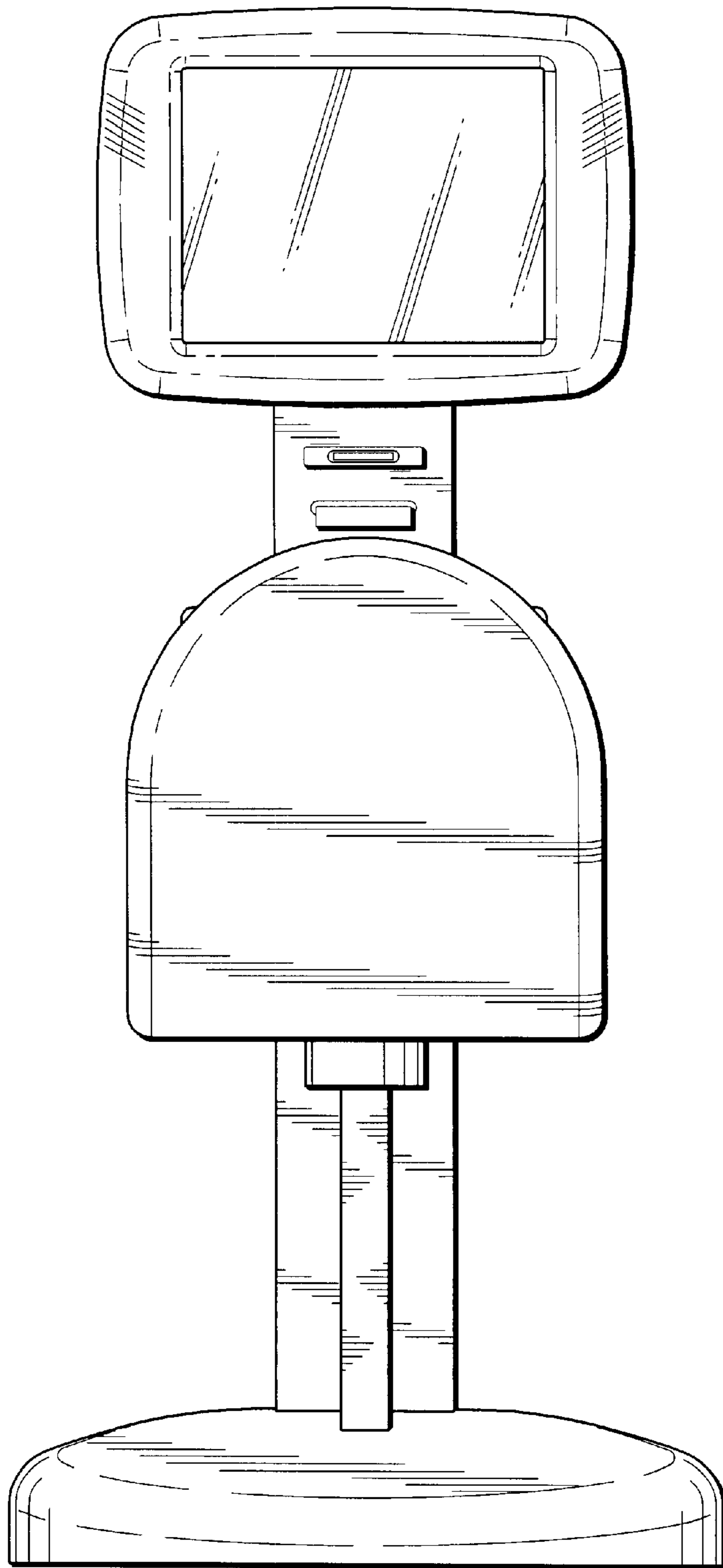


FIG.-2

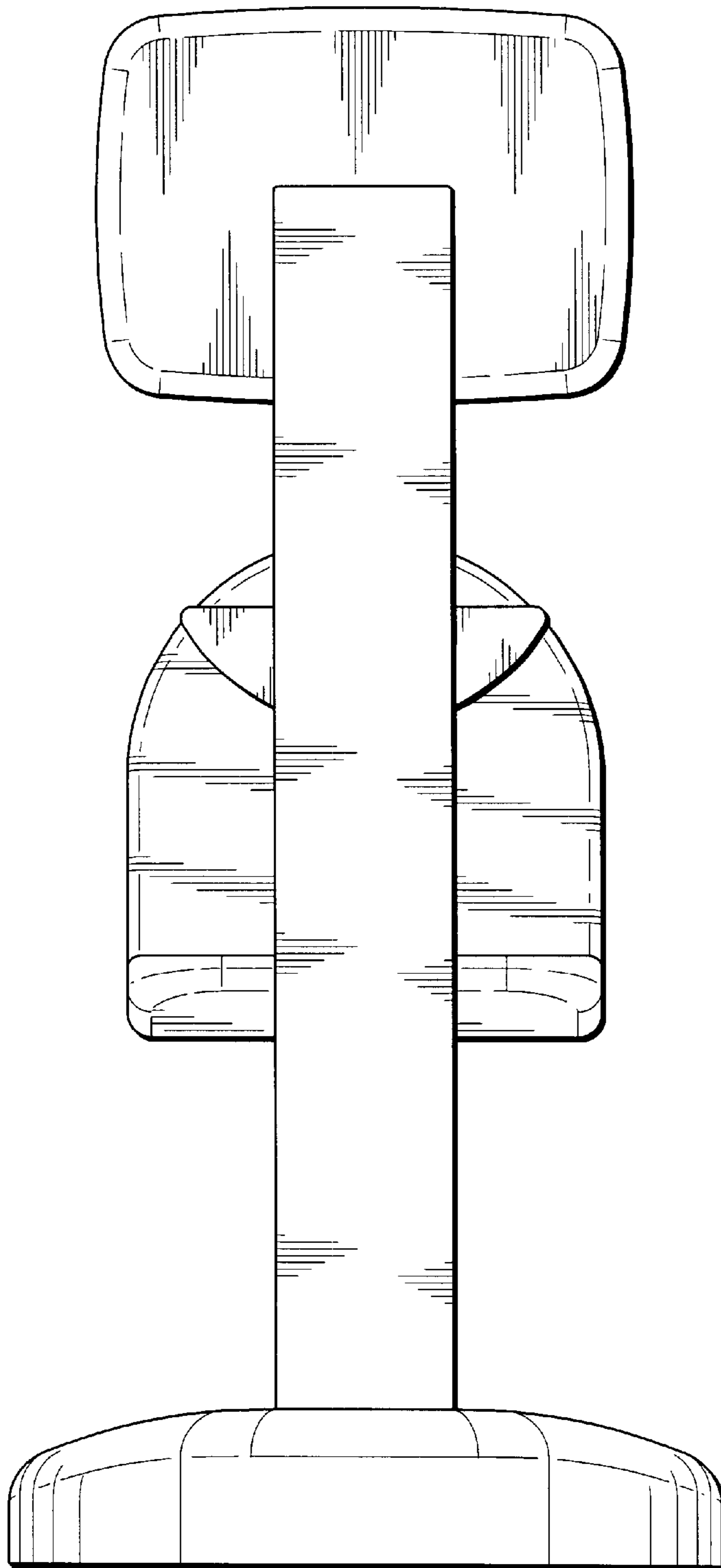


FIG.-3

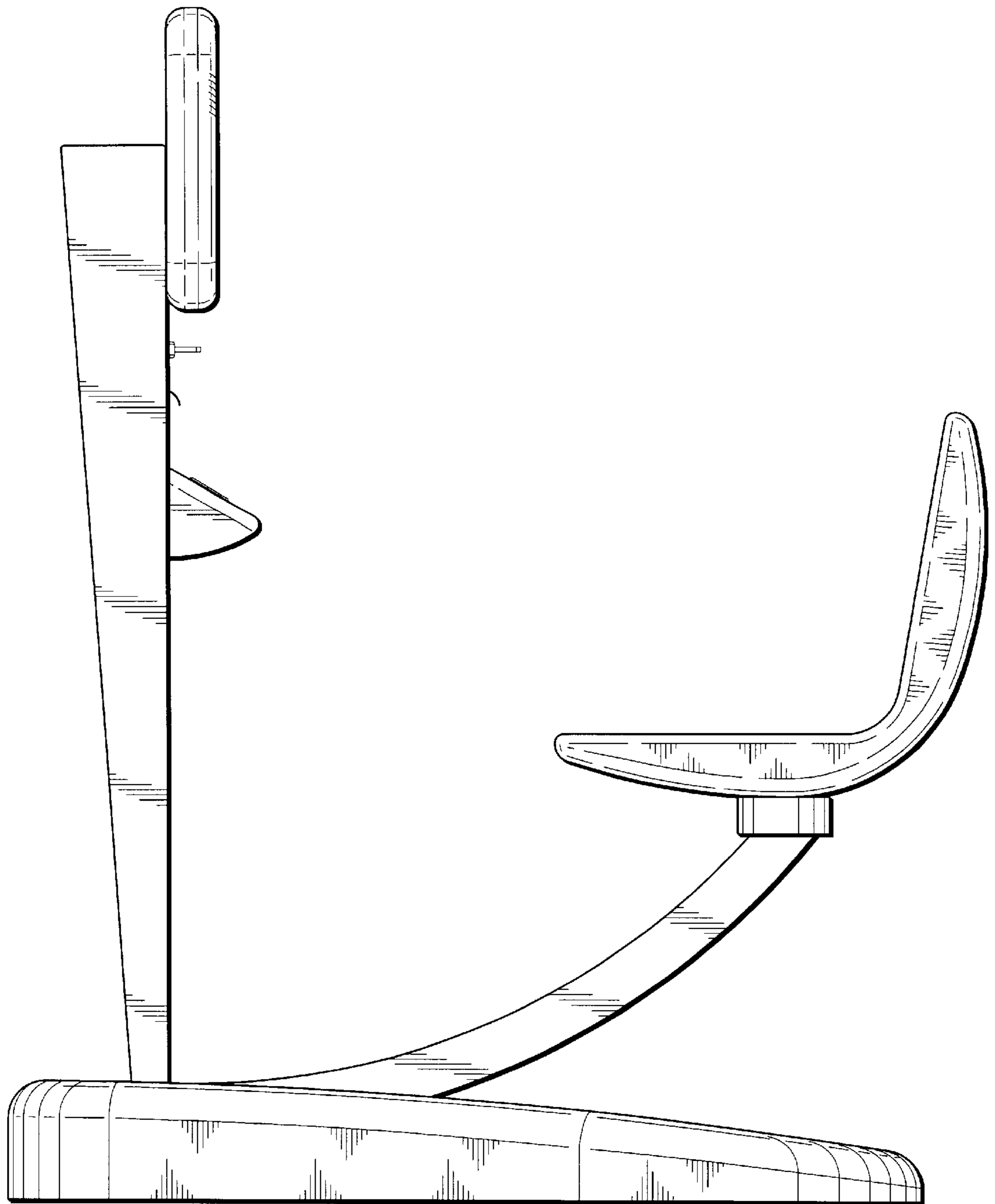


FIG.-4

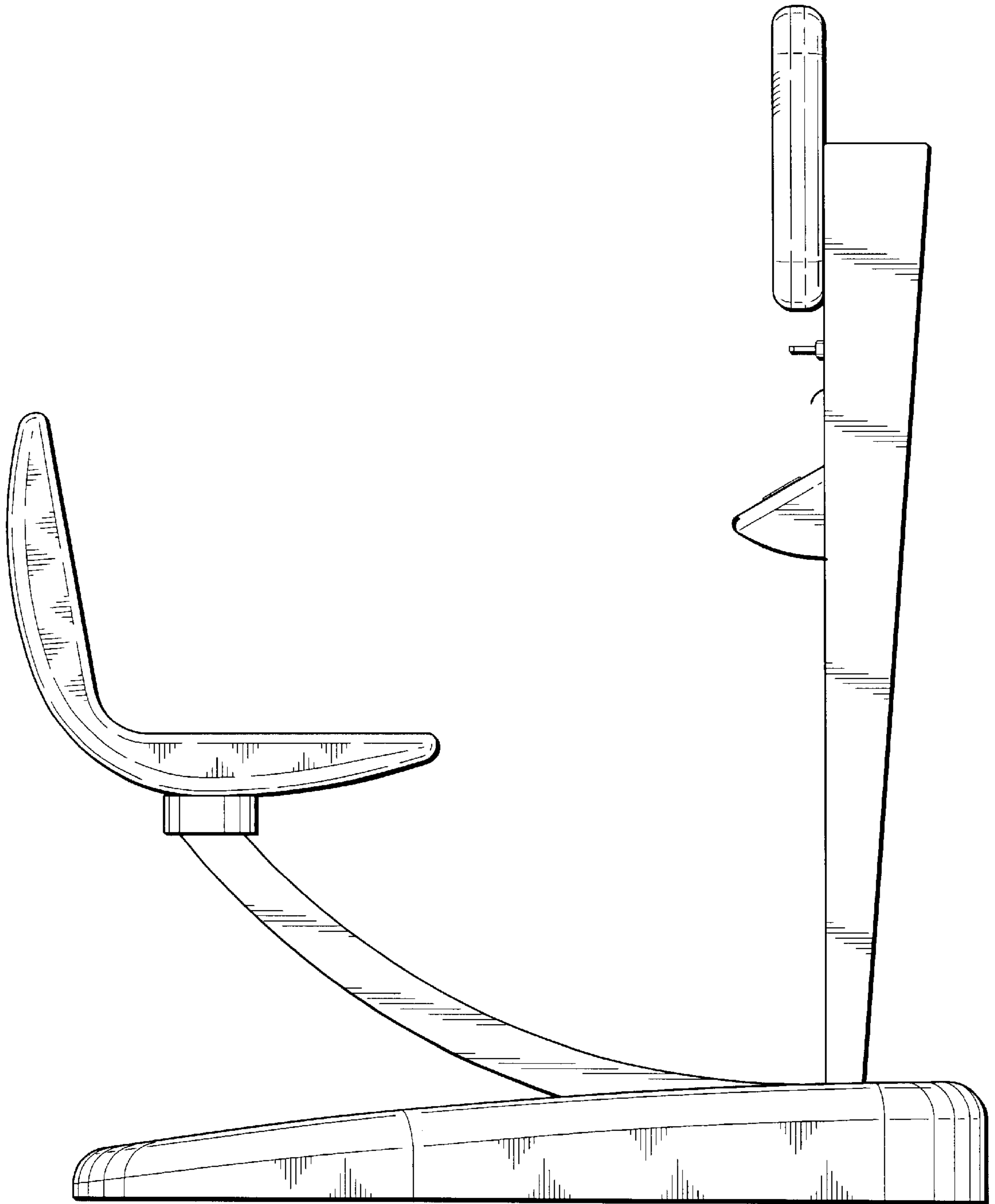


FIG.-5

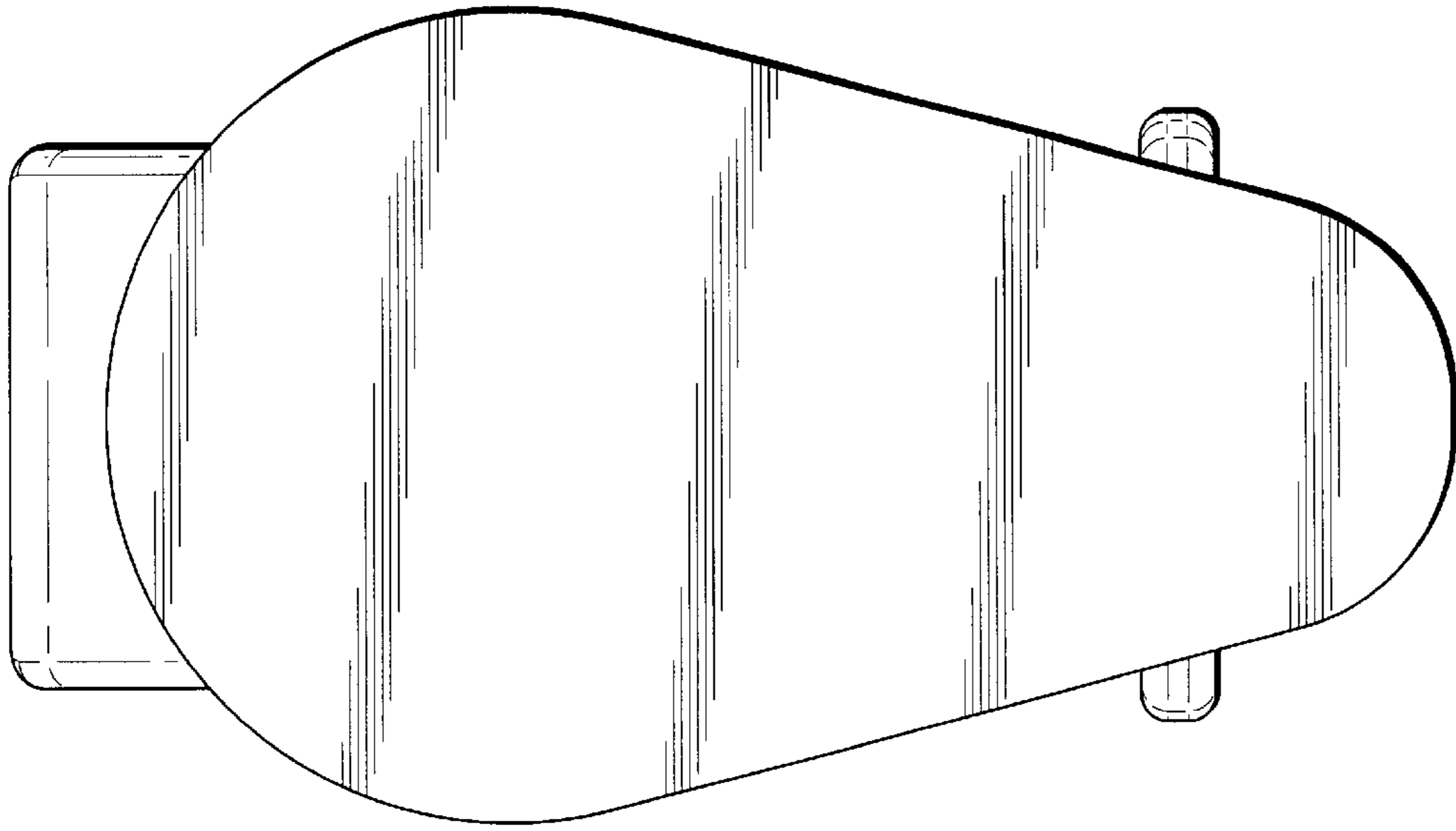


FIG.-7

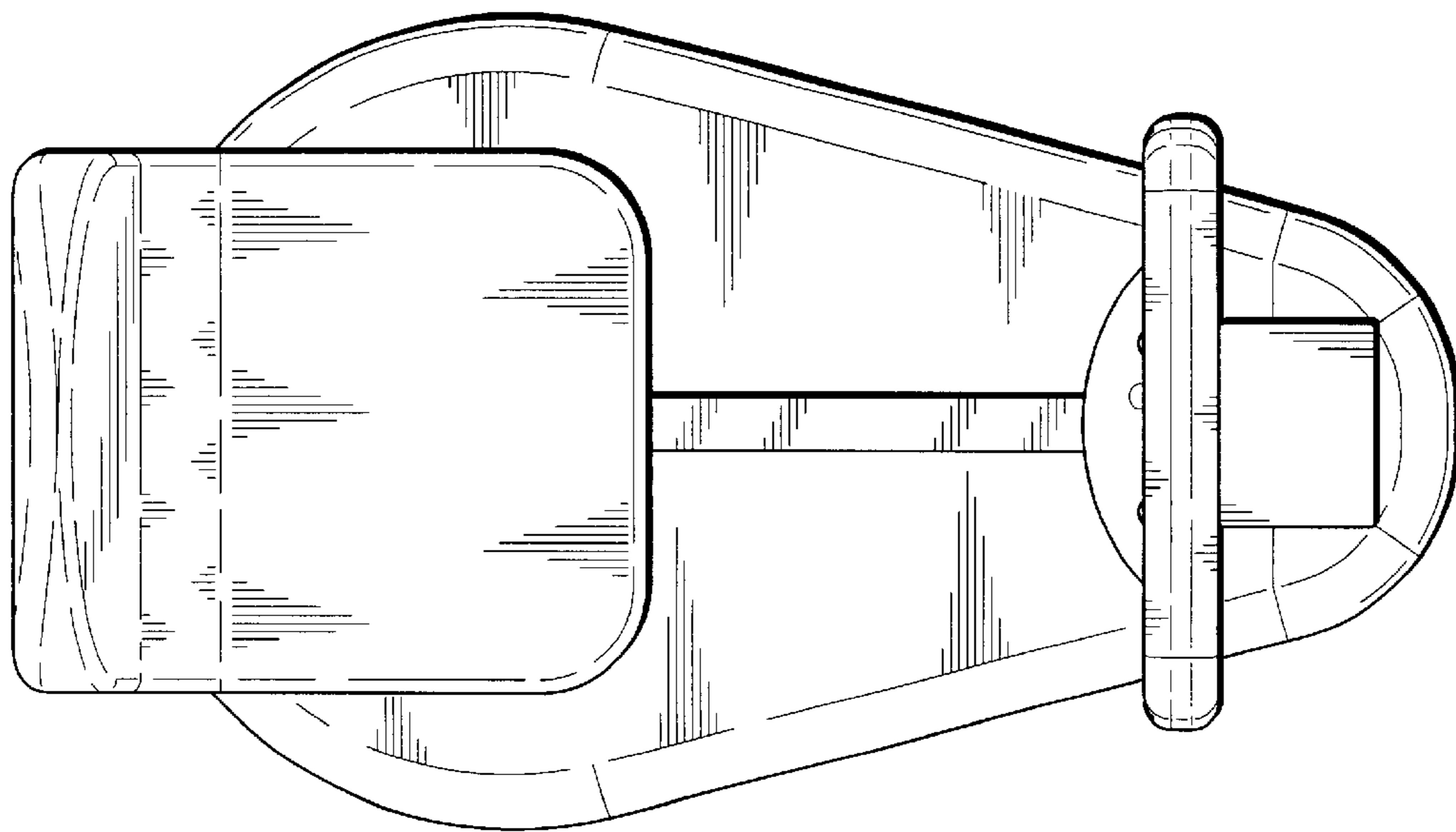


FIG.-6