



US00D467976S

(12) **United States Design Patent**
Herbst

(10) **Patent No.:** **US D467,976 S**

(45) **Date of Patent:** **** Dec. 31, 2002**

- (54) **SIGN**
- (75) **Inventor:** **Yaacov T. Herbst**, Jerusalem (IL)
- (73) **Assignee:** **Park Media Ltd.**, Staten Island, NY (US)
- (**) **Term:** **14 Years**
- (21) **Appl. No.:** **29/159,285**
- (22) **Filed:** **Apr. 16, 2002**
- (51) **LOC (7) Cl.** **20-02**
- (52) **U.S. Cl.** **D20/41**
- (58) **Field of Search** D20/10, 27, 28, D20/29, 41, 42, 99; D10/42; 40/333, 606, 607, 608, 611, 655

- 5,054,219 A * 10/1991 Hoyt et al. 40/473
- D369,007 S * 4/1996 Jones D20/41
- 5,956,875 A * 9/1999 Aughenbaugh 40/607
- D424,734 S * 5/2000 Gager et al. D20/41
- 6,250,003 B1 * 6/2001 Phinney 40/607

* cited by examiner

Primary Examiner—Robert M. Spear
(74) *Attorney, Agent, or Firm*—Fish & Neave; Joel Weiss; Scott H. Kaliko

(57) **CLAIM**

The ornamental design for a sign, as shown and described.

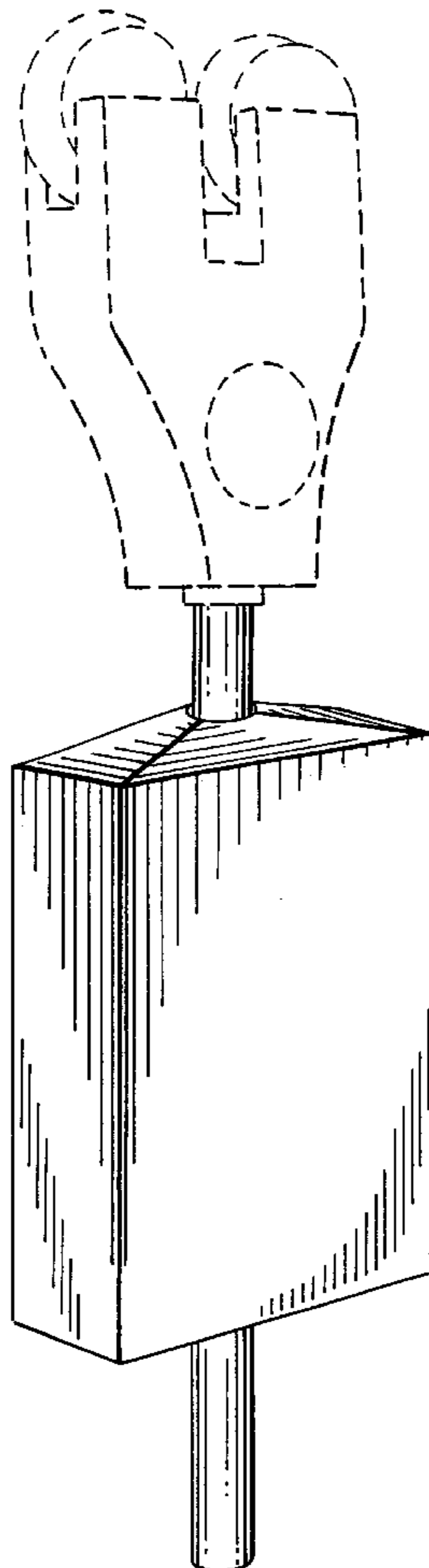
DESCRIPTION

FIG. 1 is a top, left, front perspective view of a sign showing our new design;
FIG. 2 is a top plan view thereof;
FIG. 3 is a front elevation view thereof;
FIG. 4 is a left side elevation view thereof; and,
FIG. 5 is a bottom plan view thereof.

The subject matter shown in broken line represents unclaimed environmental structure which is shown for illustrative purposes and forms no part of the claimed design.

- (56) **References Cited**
- U.S. PATENT DOCUMENTS**
- 2,468,421 A * 4/1949 Williams D40/607
- D162,698 S * 3/1951 Teague D10/42
- D189,106 S * 10/1960 Leiderman D10/42
- D194,354 S * 1/1963 Meuche D20/41
- 4,519,510 A * 5/1985 Learnard 211/58
- D286,794 S * 11/1986 Bayless et al. D20/41

1 Claim, 2 Drawing Sheets



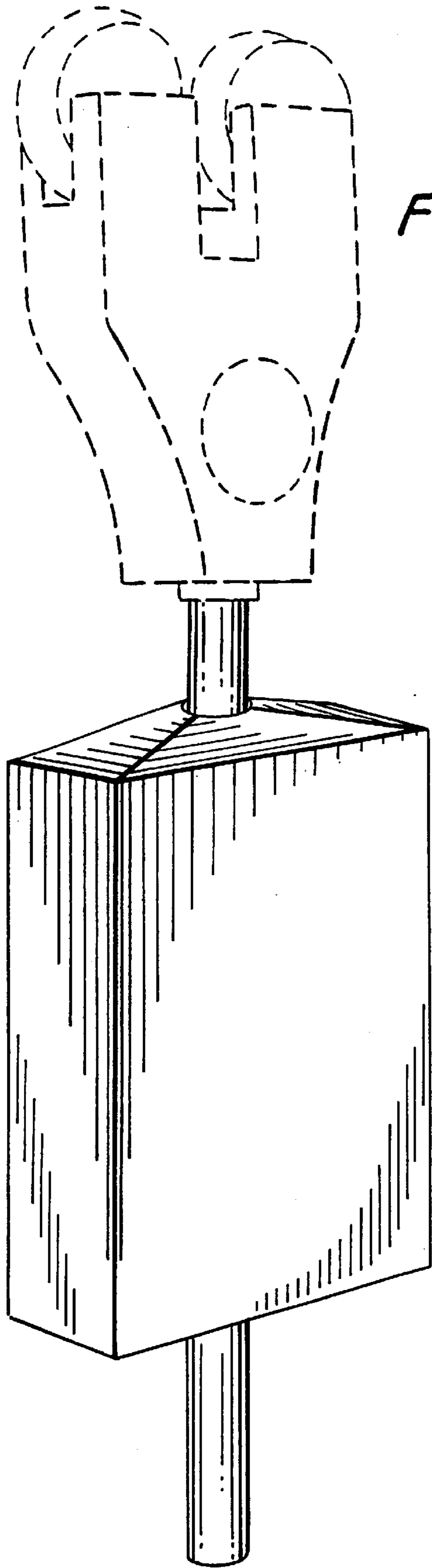


FIG. 1

FIG. 2

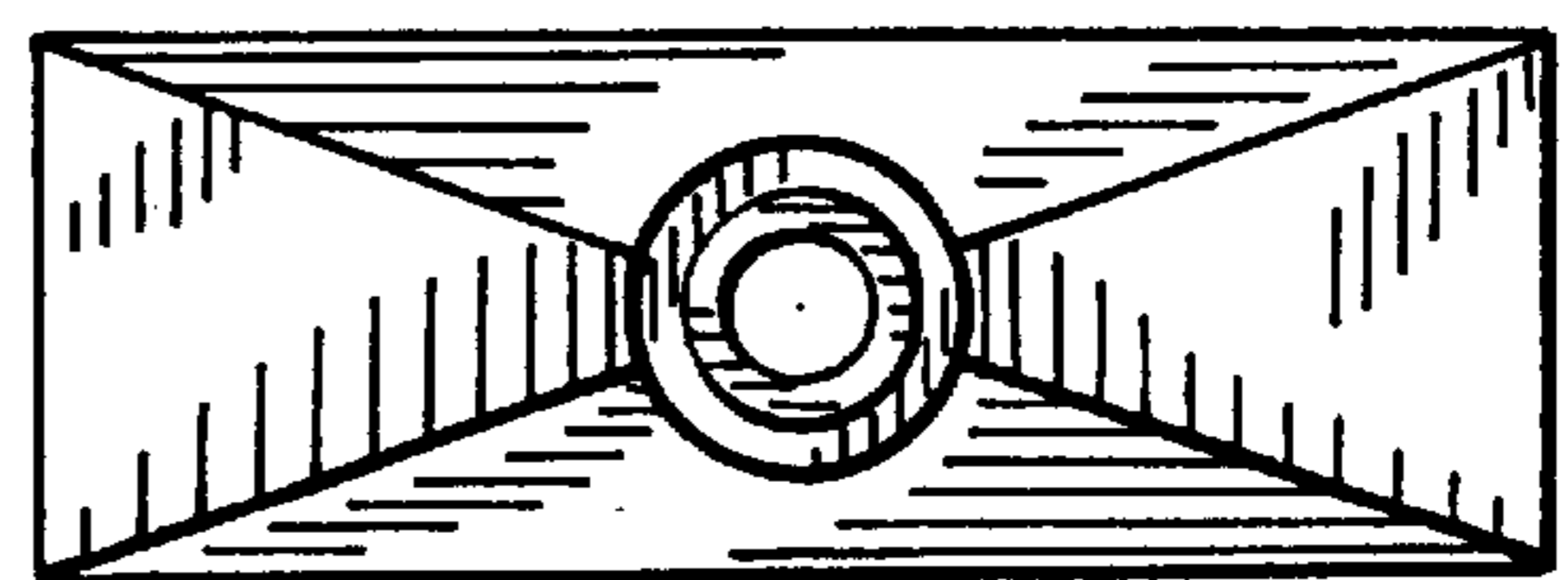


FIG. 3

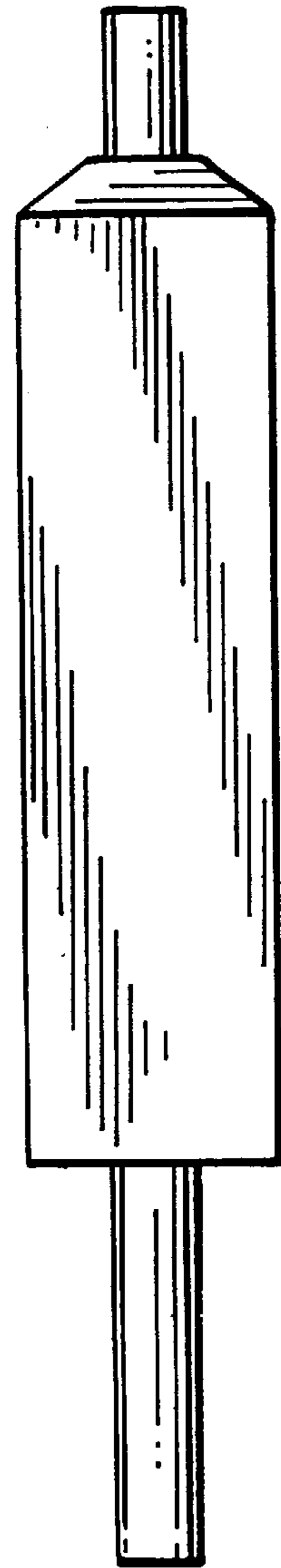
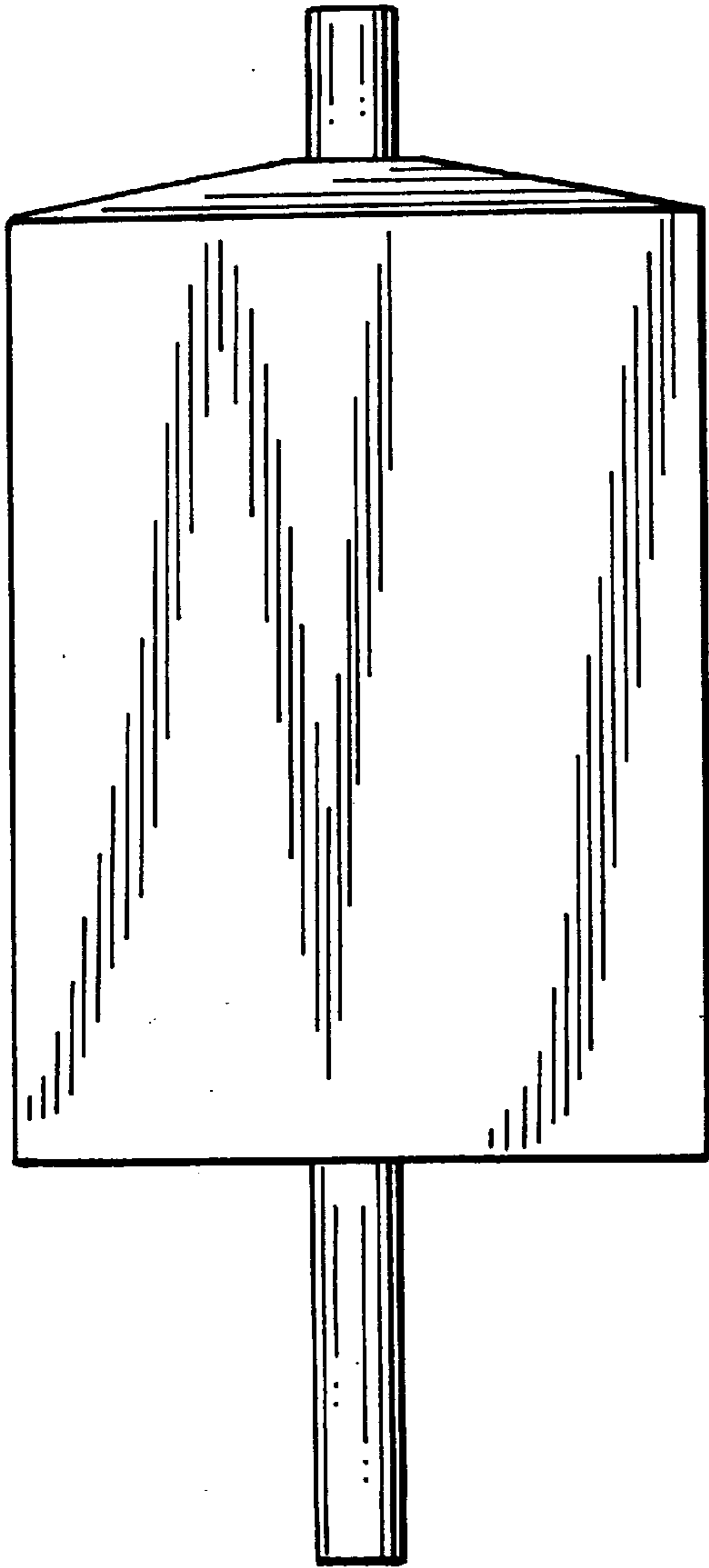


FIG. 4

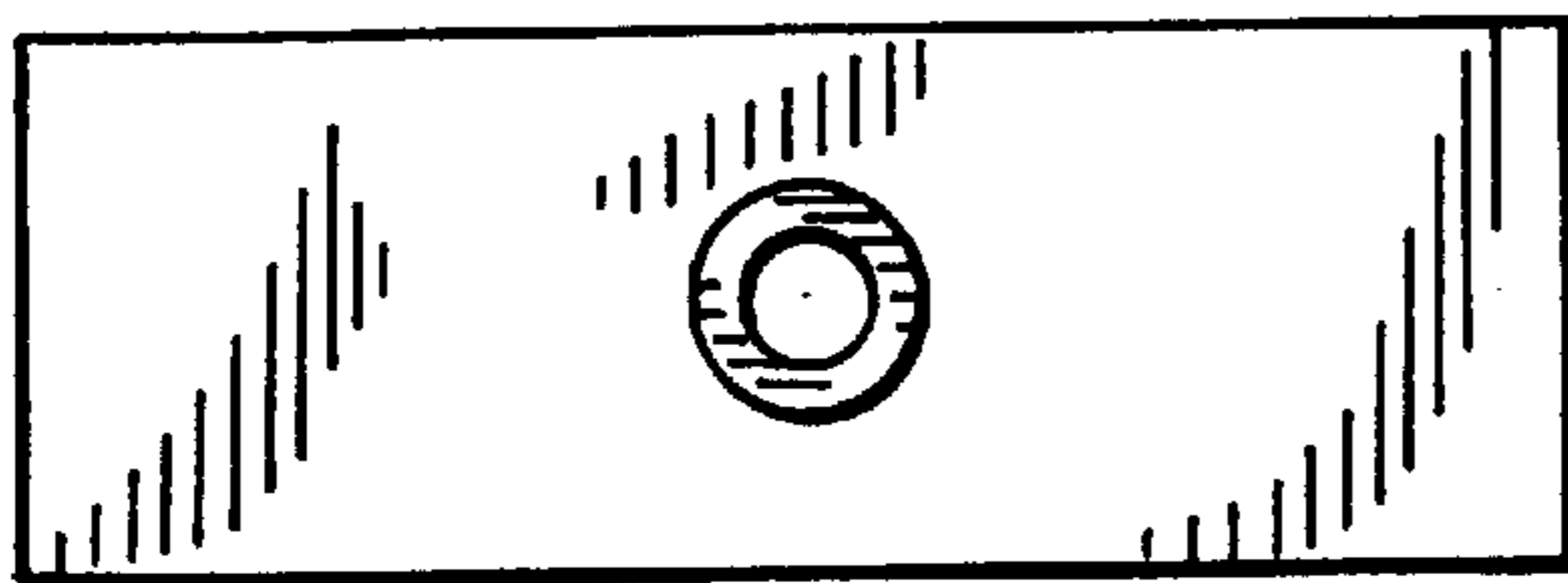


FIG. 5