



US00D467975S

(12) **United States Design Patent**
Mandar

(10) **Patent No.:** **US D467,975 S**

(45) **Date of Patent:** **** Dec. 31, 2002**

(54) **MATERIAL-FILLED TAPE DISPENSER**

(76) Inventor: **Martine Mandar**, 54, rue Moxouris,
78150 Le Chesnay (FR)

(**) Term: **14 Years**

(21) Appl. No.: **29/133,499**

(22) Filed: **Dec. 1, 2000**

(51) **LOC (7) Cl.** **19-02**

(52) **U.S. Cl.** **D19/69**

(58) **Field of Search** D19/65-70; 156/523,
156/527, 540, 576, 577; 206/395-398, 411,
415; 225/6-7, 9, 25, 34, 45-46, 56, 65,
77, 89; 242/588.1-588.6, 590; 312/34.8

(56) **References Cited**

U.S. PATENT DOCUMENTS

D214,405 S	*	6/1969	Fleming	D19/69
D228,579 S	*	10/1973	Stabel, II	D19/69
D337,612 S	*	7/1993	Carella	D19/69
5,316,581 A	*	5/1994	Staniszewski	D19/70
D358,172 S	*	5/1995	Zier	D19/69
D361,089 S	*	8/1995	Teng	D19/69
D413,630 S	*	9/1999	Mandar	D19/69
5,996,932 A	*	12/1999	Wang	242/598.5

FOREIGN PATENT DOCUMENTS

FR 99/7427 3/2000

* cited by examiner

Primary Examiner—Doris V. Coles
Assistant Examiner—Elizabeth A. Albert

(74) *Attorney, Agent, or Firm*—Greenblum & Bernstein,
P.L.C.

(57) **CLAIM**

I claim the ornamental design for a material-filled tape dispenser, as shown and described.

DESCRIPTION

FIGS. 1-5 illustrate a first embodiment of the invention, wherein:

FIG. 1 is a rear view of the dispenser, showing my new design;

FIG. 2 is a front view thereof;

FIG. 3 is a top view thereof;

FIG. 4 is one side view thereof, the opposite side view being a mirror image of the view shown; and

FIG. 5 is a top perspective view of the first imbodiment of the invention;

FIGS. 6-10 illustrate a second embodiment of the invention, wherein:

FIG. 6 is a rear view of the dispenser, showing my new design;

FIG. 7 is a front view thereof;

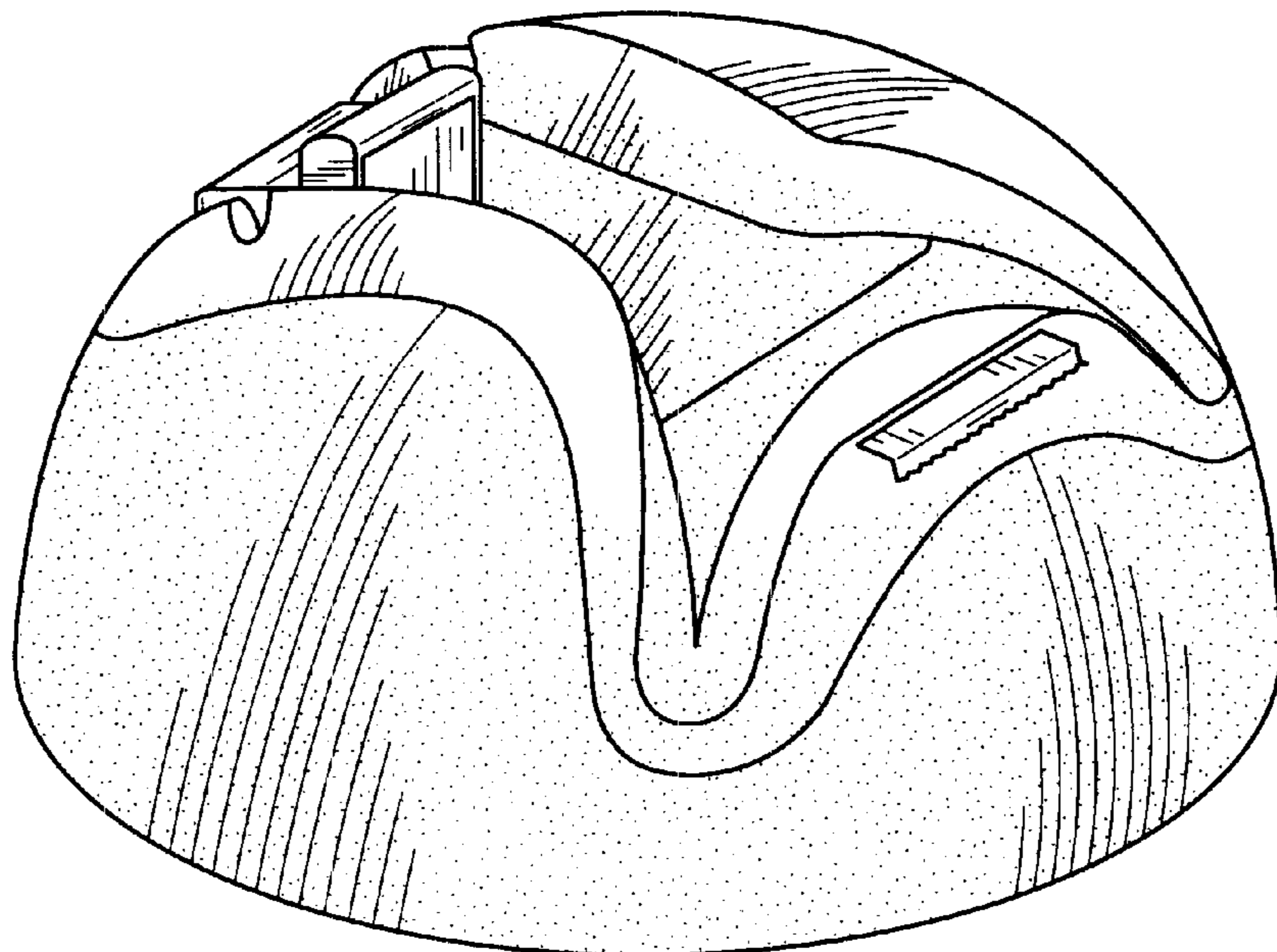
FIG. 8 is a top view thereof;

FIG. 9 is one side view thereof, the opposite side view being a mirror image of the view shown; and,

FIG. 10 is a top perspective view of the second embodiment of the invention.

The oblique line shading on the body of the tape dispenser is understood to represent a translucent or transparent surface and the stipple shading is understood to represent sand or any colored material or decorative content in the interior of the dispenser.

1 Claim, 6 Drawing Sheets



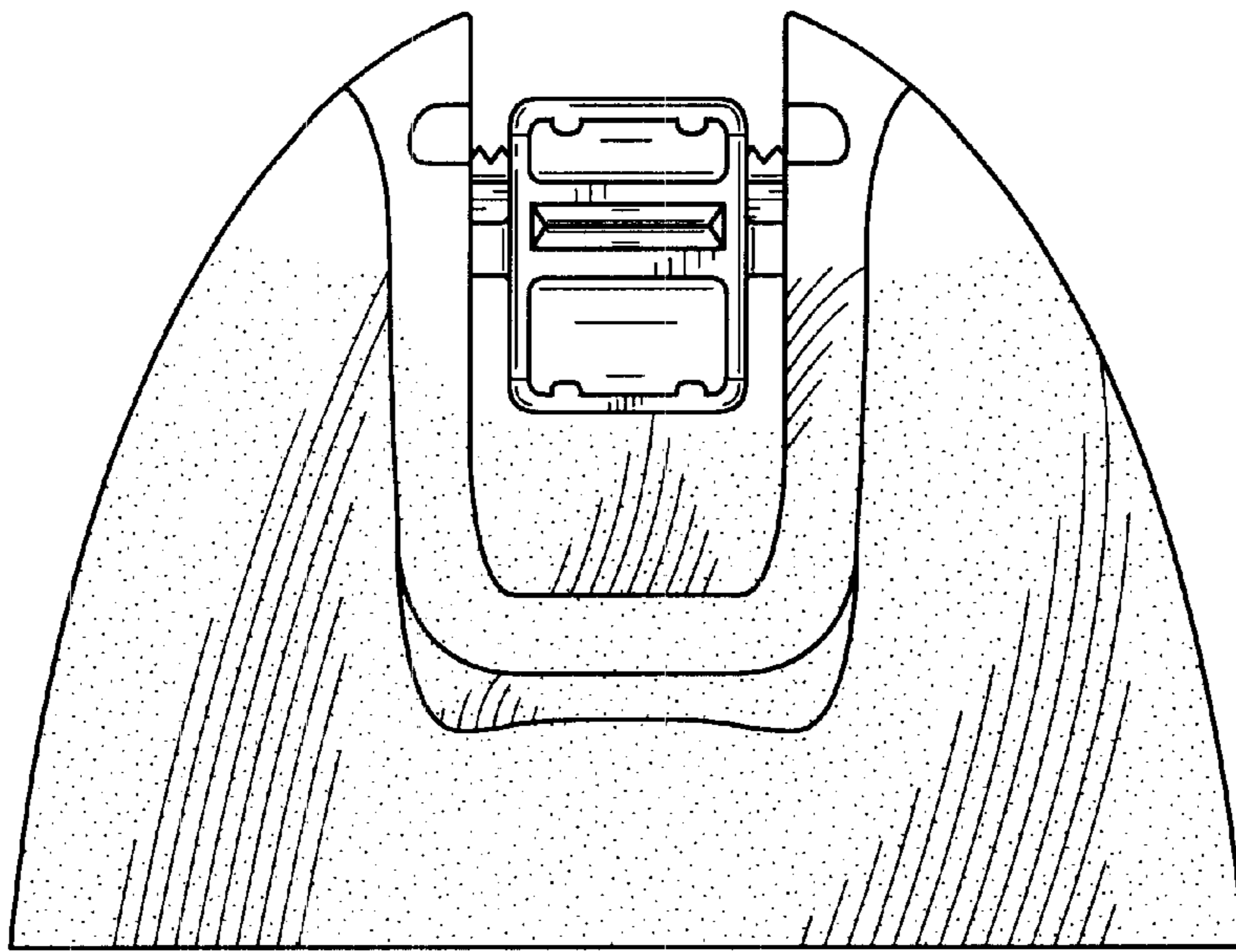


FIG. 1

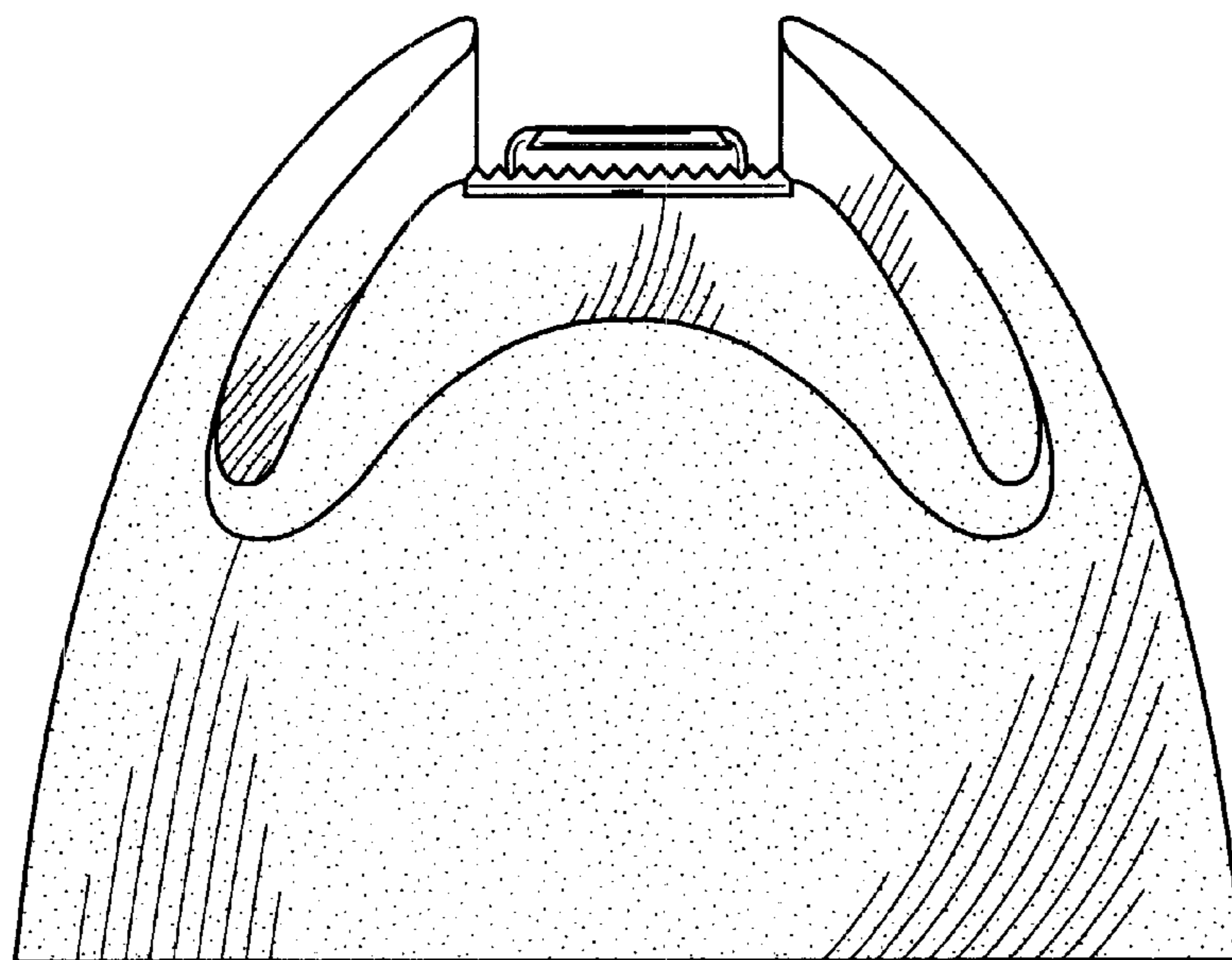


FIG. 2

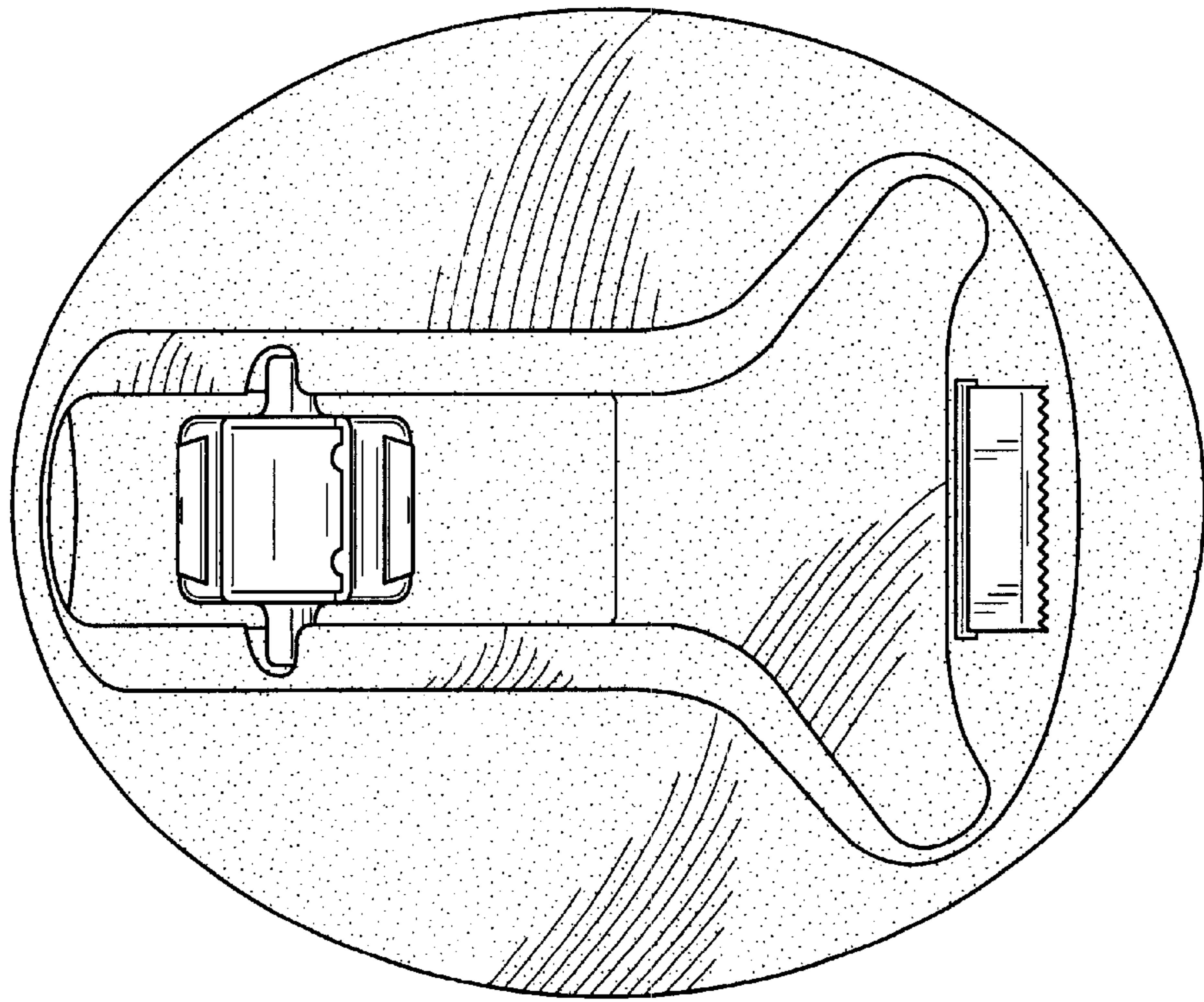


FIG. 3

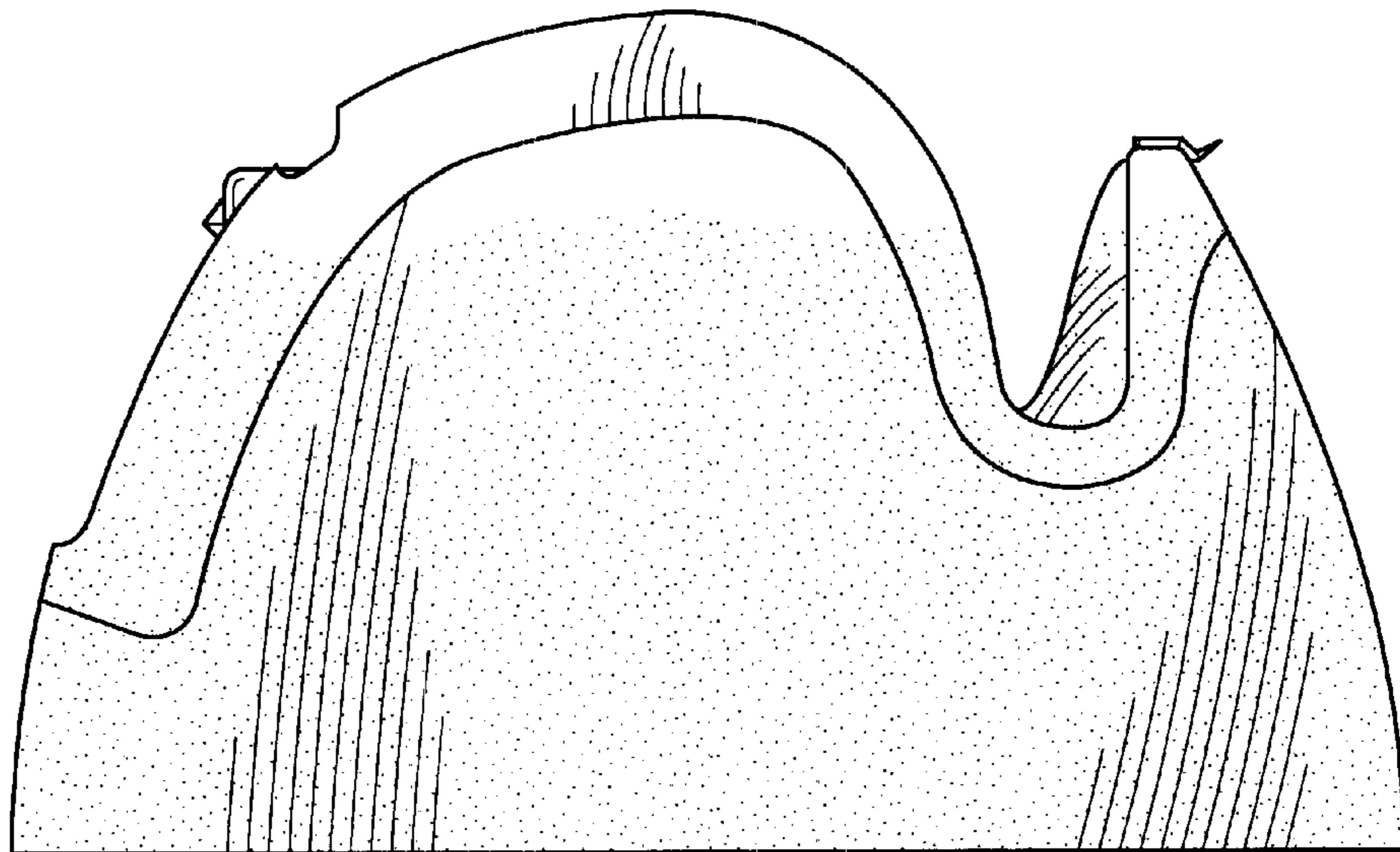


FIG. 4

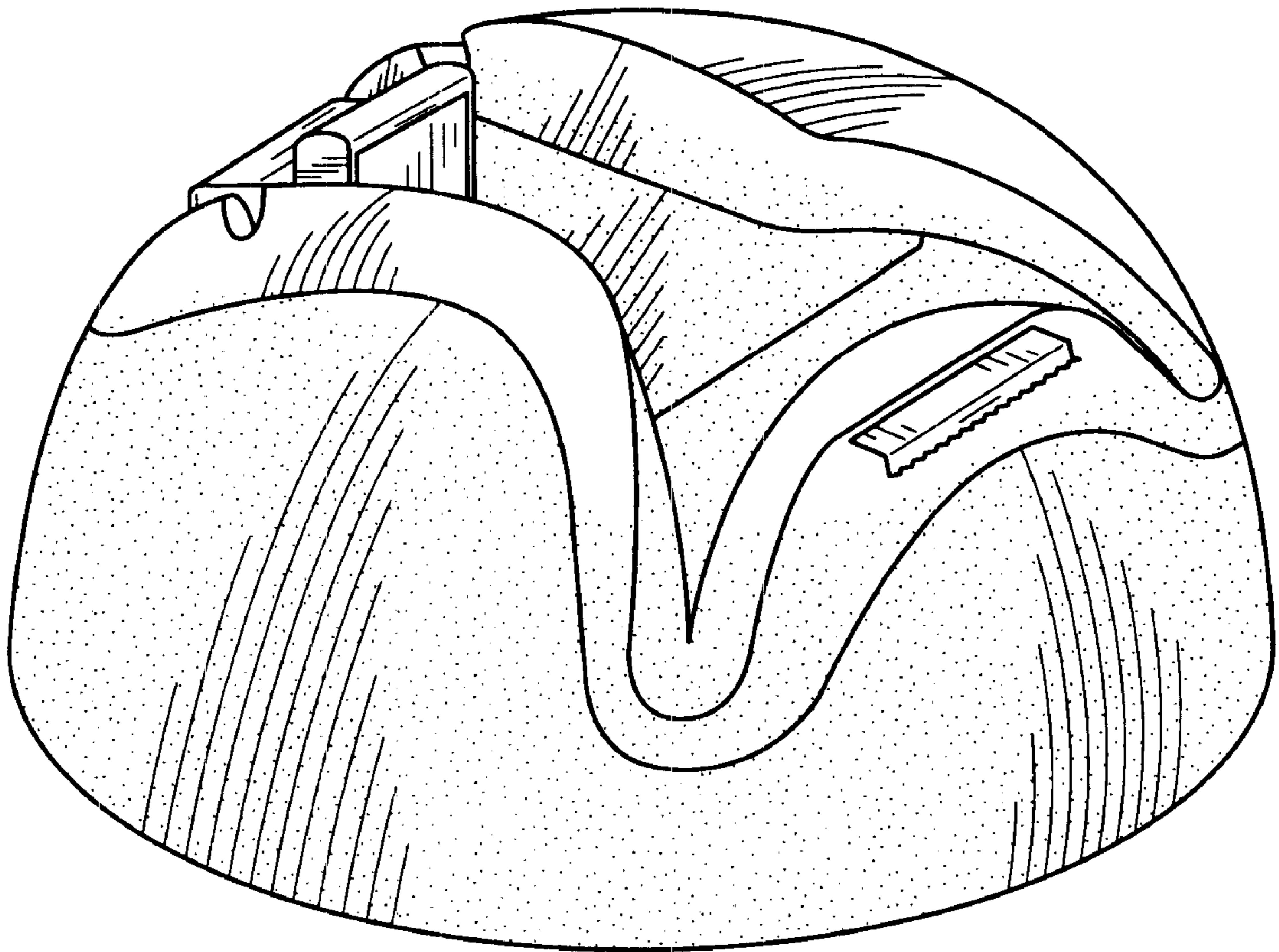


FIG. 5

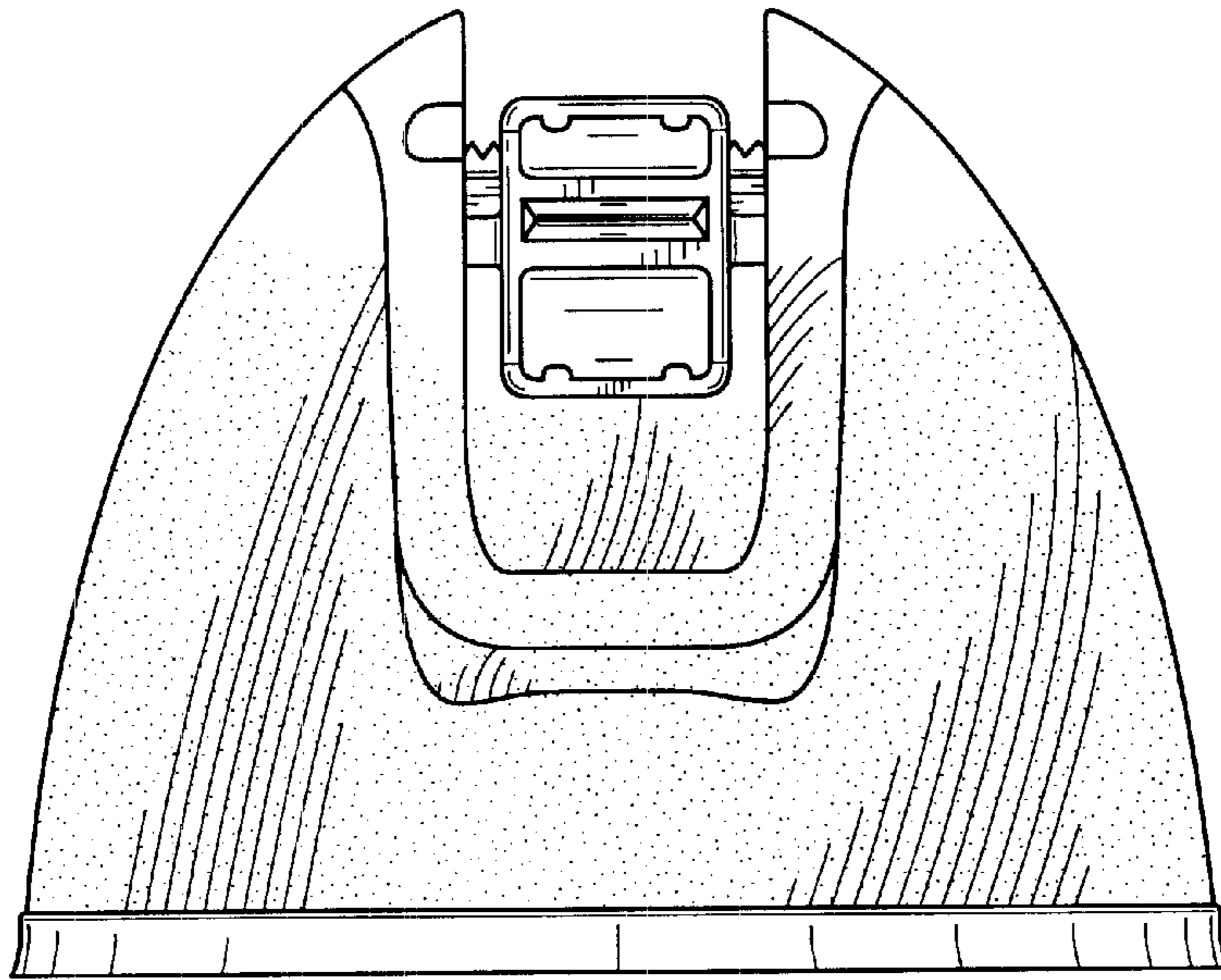


FIG. 6

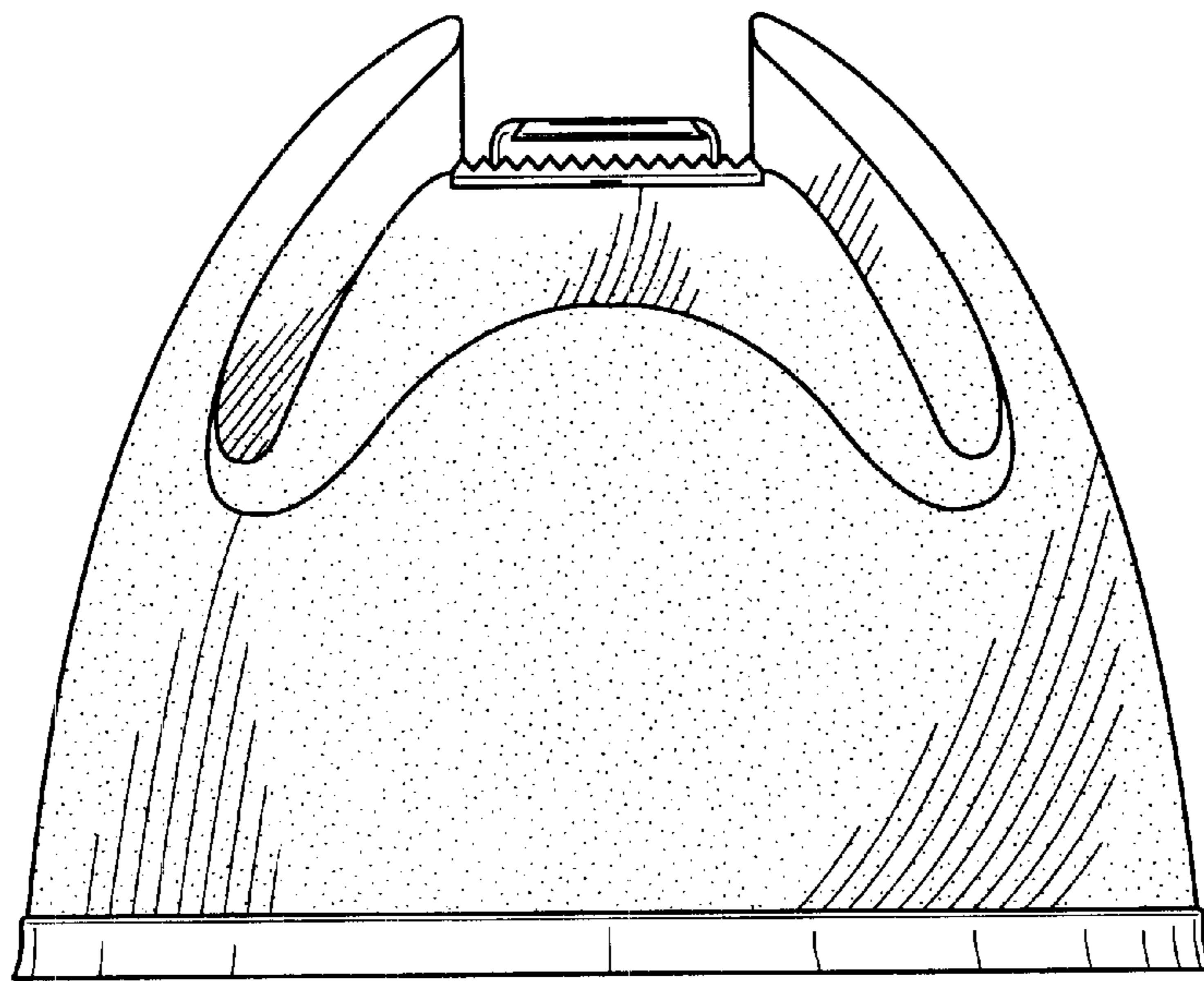


FIG. 7

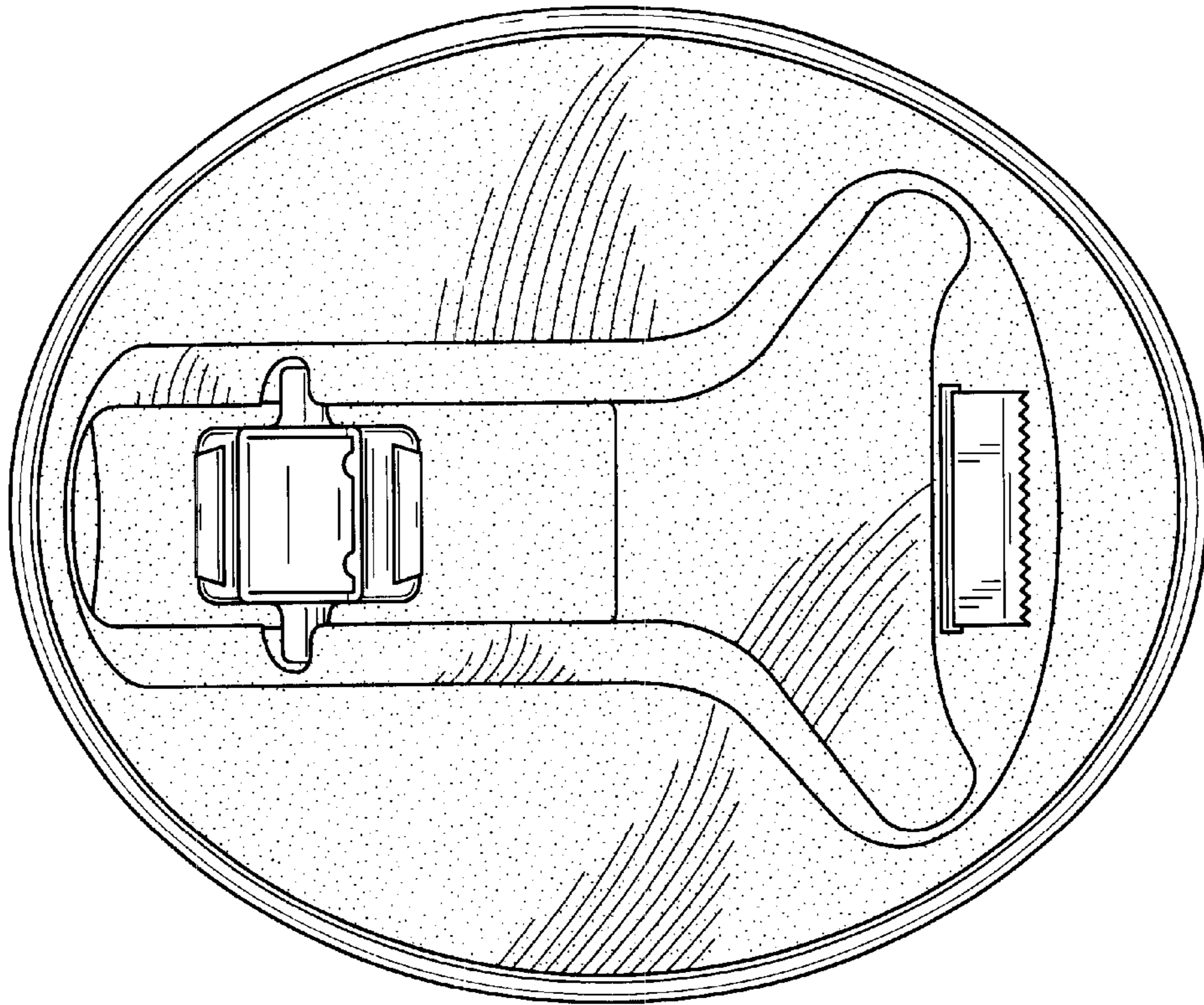


FIG. 8

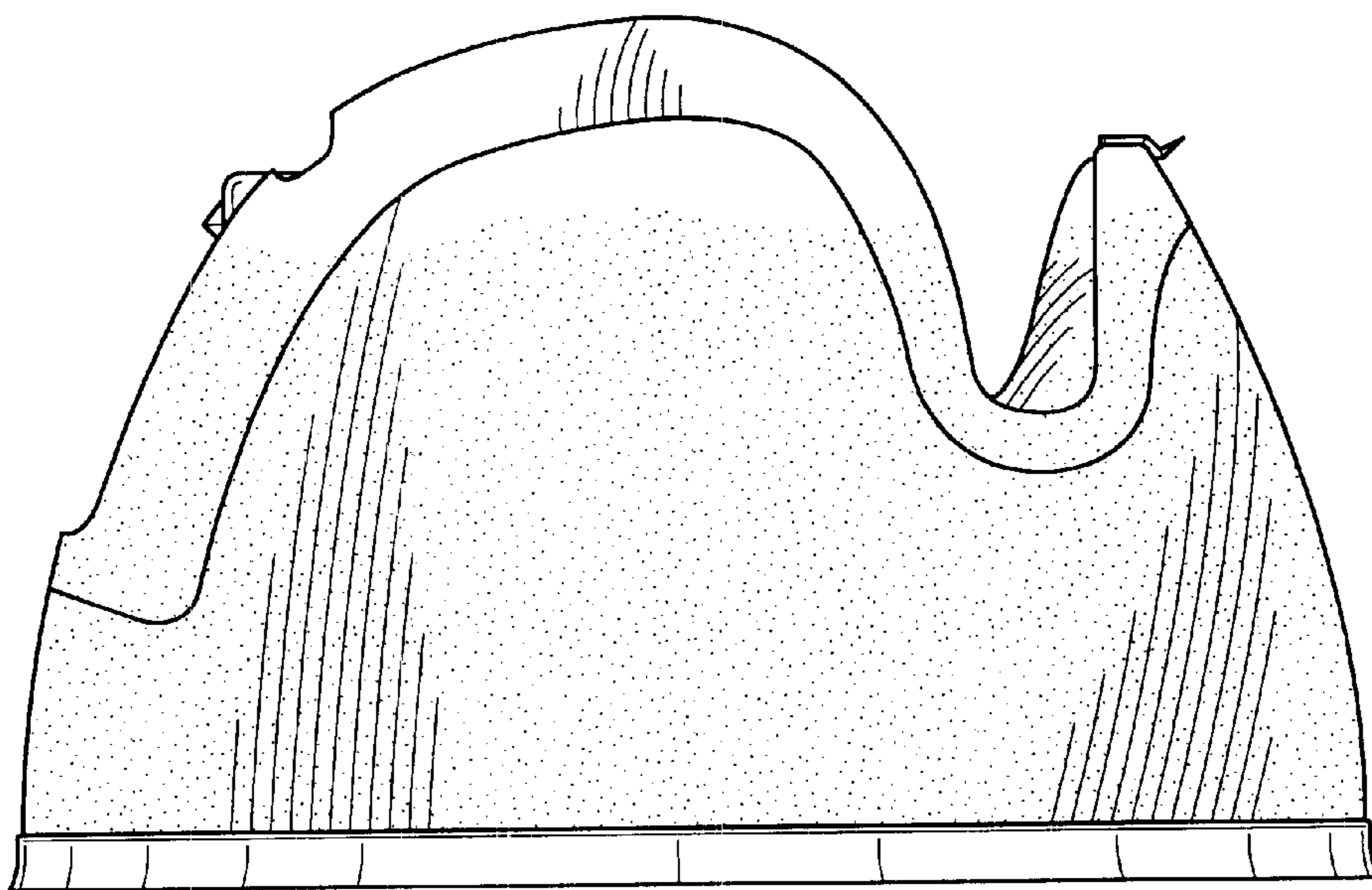


FIG. 9

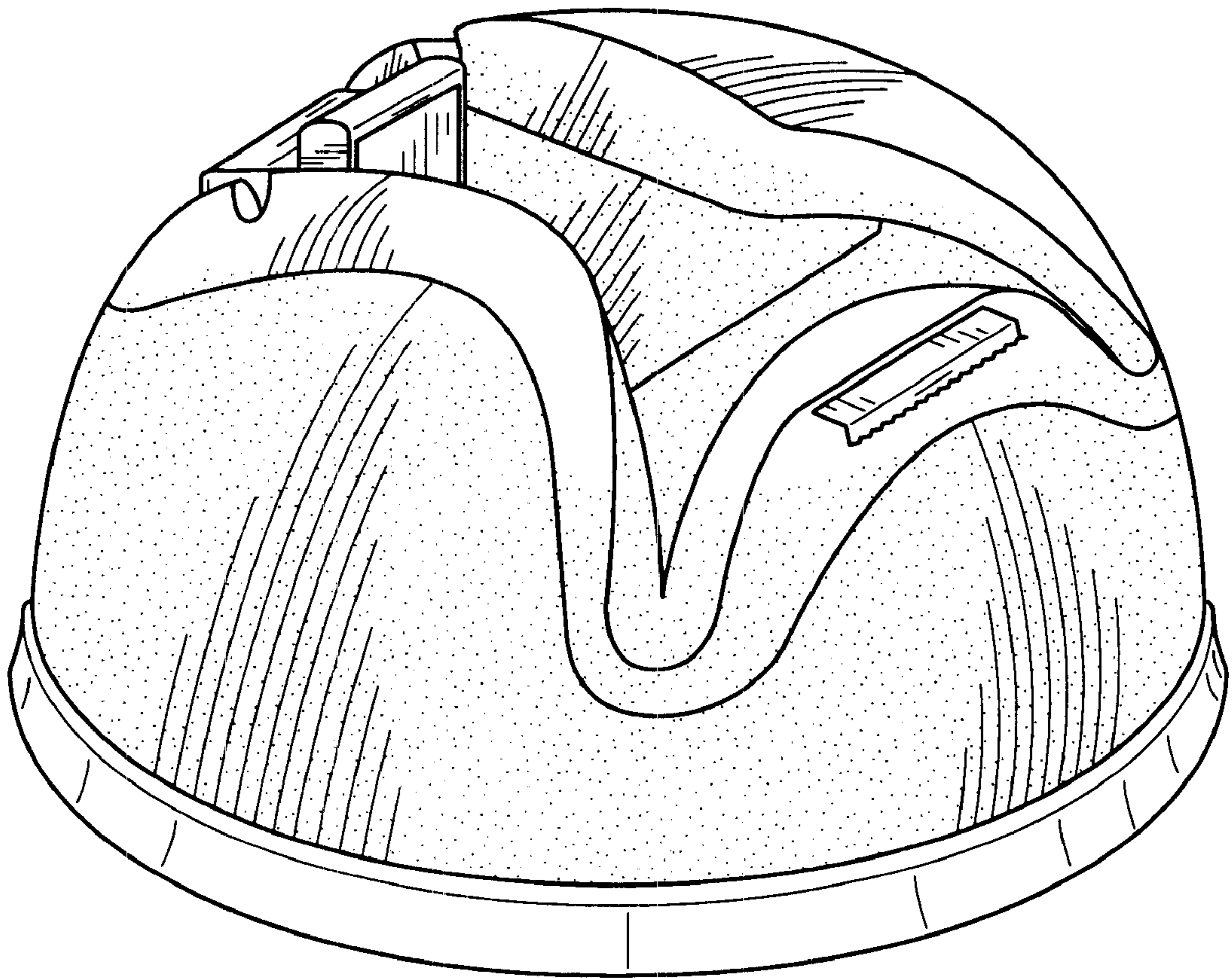


FIG. 10