



US00D467973S

(12) **United States Design Patent**
Rosen

(10) **Patent No.:** **US D467,973 S**

(45) **Date of Patent:** **** Dec. 31, 2002**

(54) **CLAMPING PUSH PIN**

(75) **Inventor:** **Lawrence I. Rosen**, Mendham, NJ
(US)

(73) **Assignee:** **Rose Art Industries, Inc.**, Livingston,
NJ (US)

(**) **Term:** **14 Years**

(21) **Appl. No.:** **29/153,932**

(22) **Filed:** **Jan. 14, 2002**

(51) **LOC (7) Cl.** **19-02**

(52) **U.S. Cl.** **D19/65; D8/389; D8/395;**
D19/86; D19/90

(58) **Field of Search** **D8/388-390, 394,**
D8/395; D19/34, 35, 36, 86, 90, 91, 99,
100; 24/67 R, 67.1-67.11, 545-547, 555,
561, 563; 40/641; 248/216.1, 217.3

(56) **References Cited**

U.S. PATENT DOCUMENTS

893,353 A	*	7/1908	McGill	24/561
1,247,912 A	*	11/1917	Wardner	248/216.1
1,872,171 A	*	8/1932	Panitzsch	24/362
2,335,903 A	*	12/1943	Bechkett	24/563
3,673,641 A	*	7/1972	Lorber	24/67.9
3,995,820 A	*	12/1976	Einhorn	248/216.1
4,011,673 A	*	3/1977	Levine	40/641
D268,848 S	*	5/1983	Lorber	D19/99
4,706,342 A	*	11/1987	Yu	24/67.9

4,914,791 A	*	4/1990	Lorber	24/67.9
D311,212 S	*	10/1990	Tsuji	D19/65
5,148,581 A	*	9/1992	Hartmann	24/351
5,179,765 A		1/1993	Sungberg		
D344,545 S	*	2/1994	Tsai	D19/65
5,370,487 A		12/1994	Kracke		
5,484,126 A	*	1/1996	Kitchin	248/217.3
5,500,987 A		3/1996	Rosen		
5,507,459 A		4/1996	Kiera		
D380,494 S	*	7/1997	Molenaar	D19/65
D429,498 S	*	8/2000	Mershon	D19/34
6,196,782 B1		3/2001	Wagner		

* cited by examiner

Primary Examiner—Martie K. Holtje

(74) *Attorney, Agent, or Firm*—Allen N. Friedman;
McCarter & English, LLP

(57) **CLAIM**

The ornamental design for a clamping push pin, as shown and described.

DESCRIPTION

FIG. 1 is a top perspective view of a clamping push pin showing my new design;
FIG. 2 is a front elevational view;
FIG. 3 is a rear elevational view;
FIG. 4 is a right side elevational view;
FIG. 5 is a top plan view; and,
FIG. 6 is a bottom plan view thereof.

1 Claim, 2 Drawing Sheets

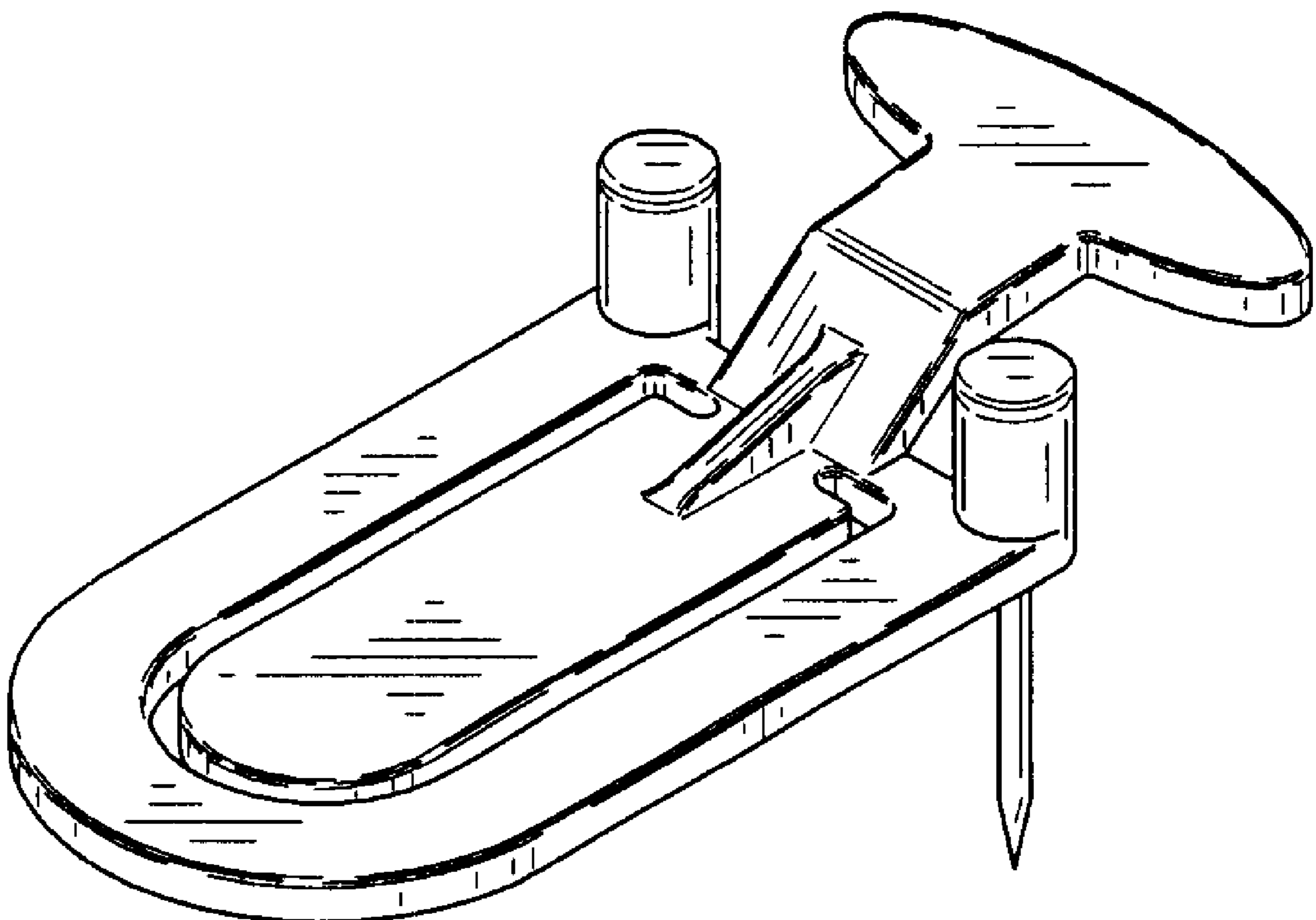


FIG. 1

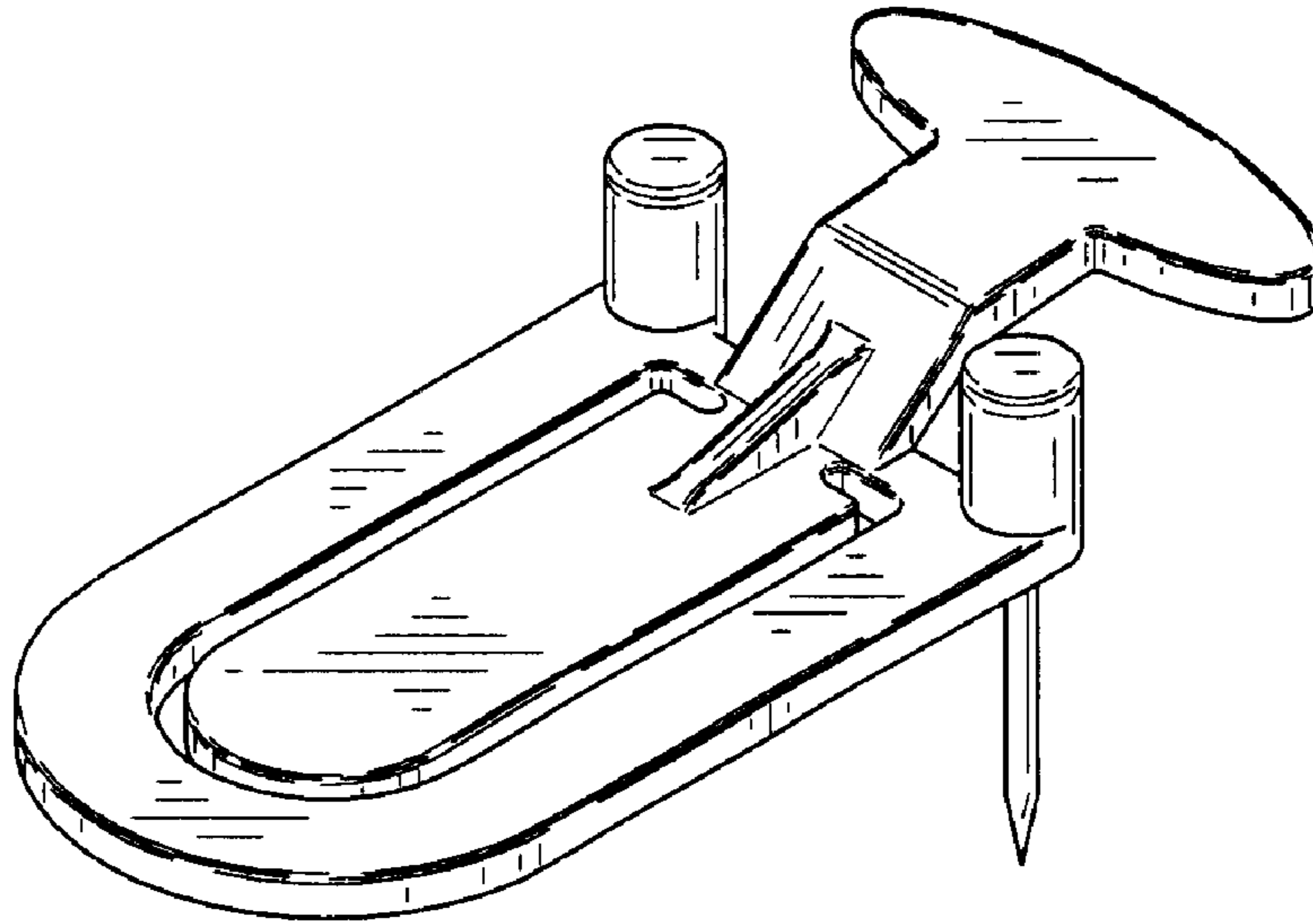


FIG. 2

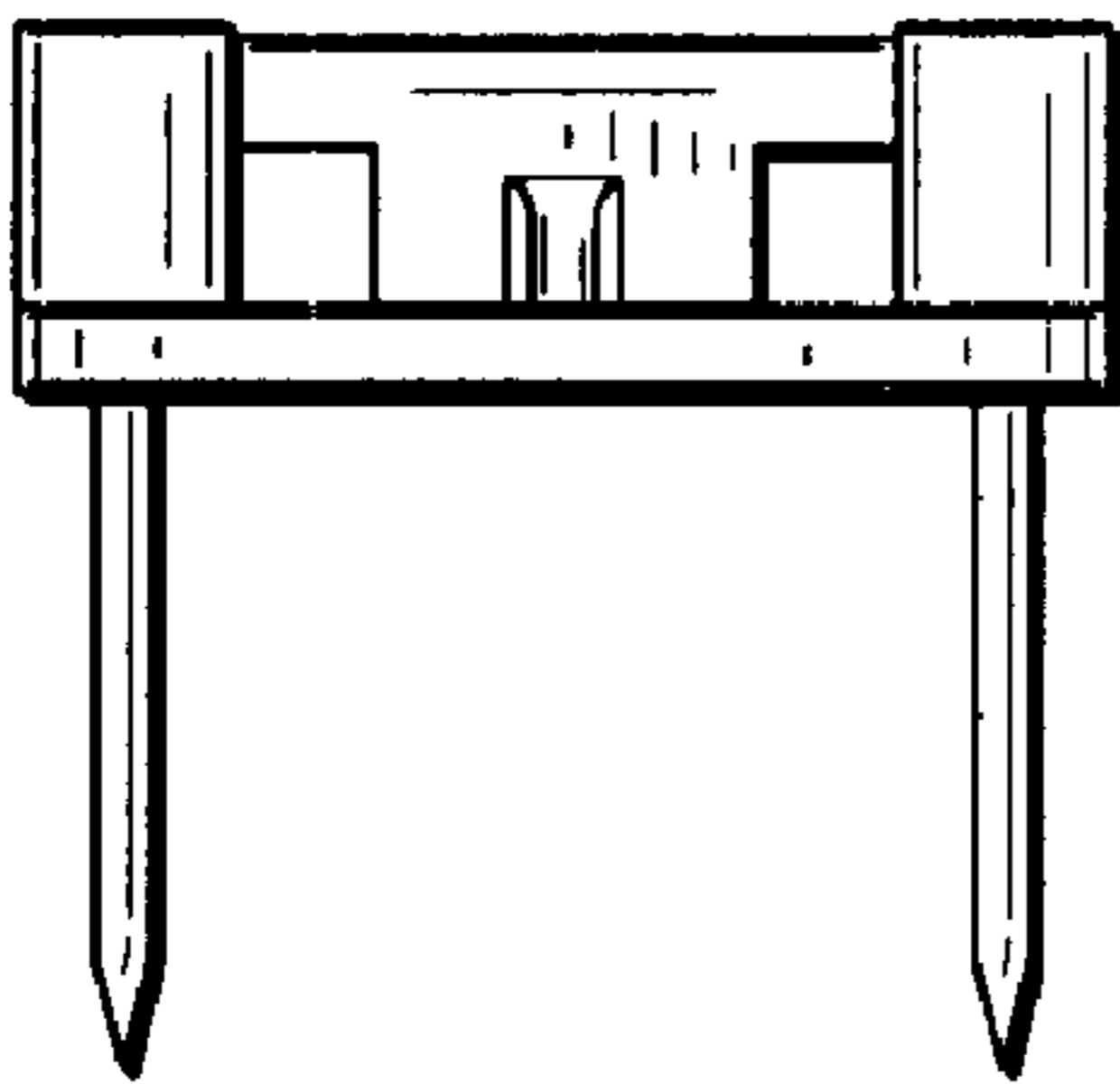


FIG. 3

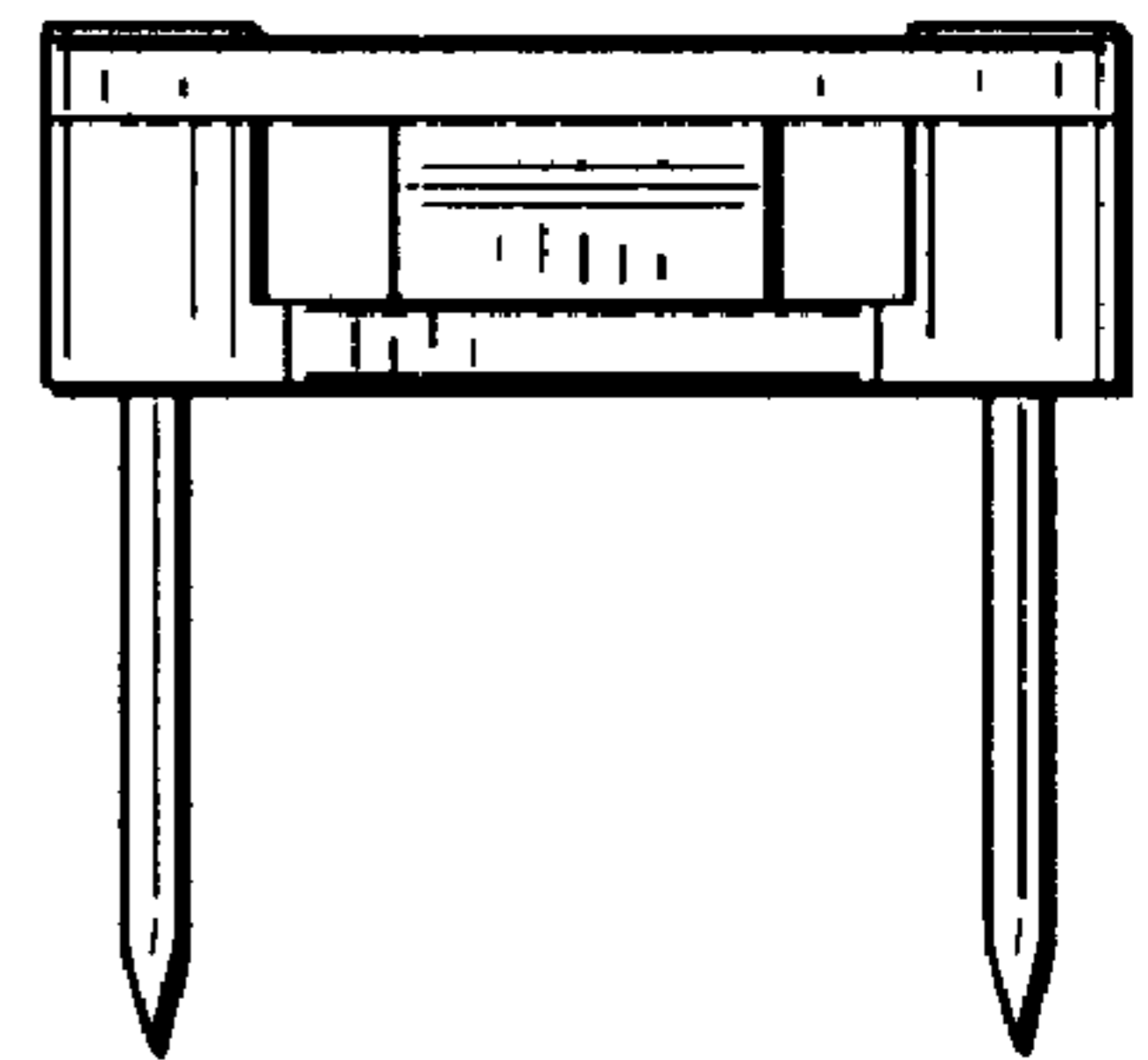


FIG. 4

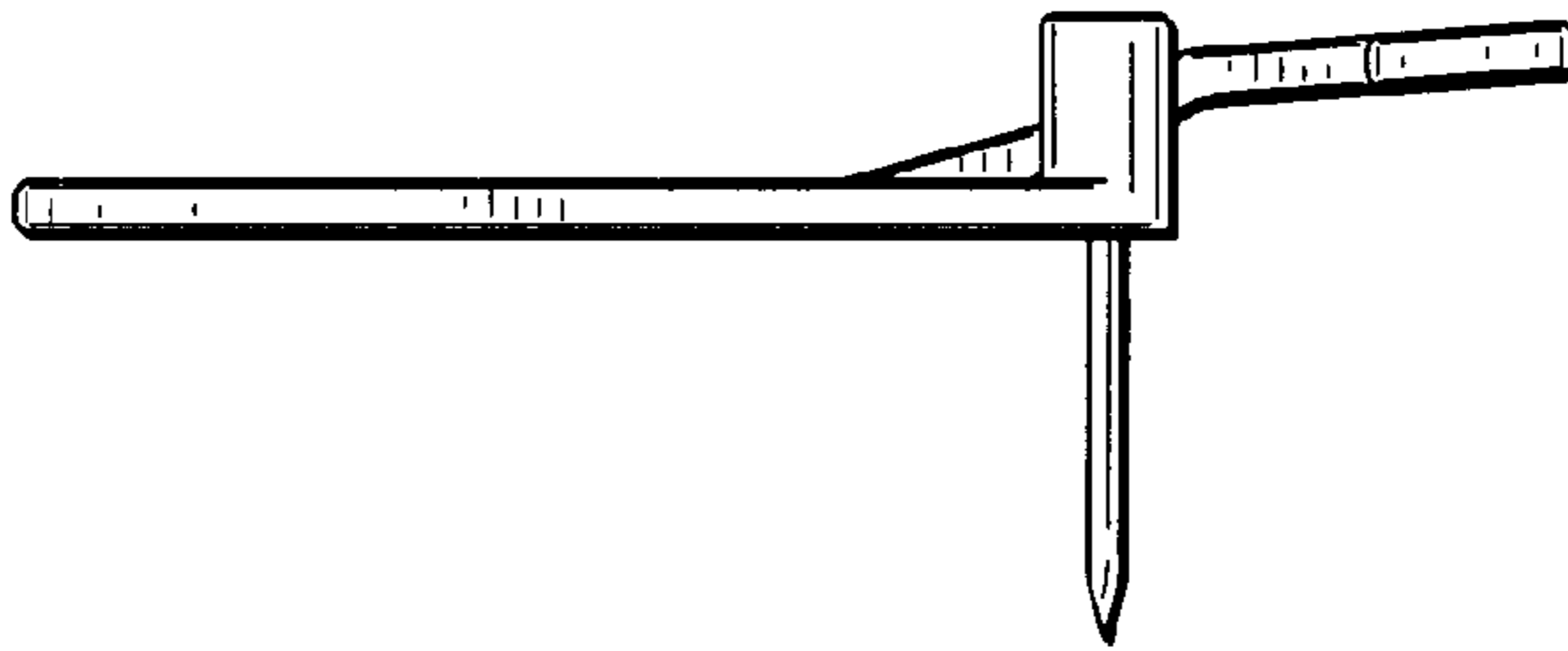


FIG. 5

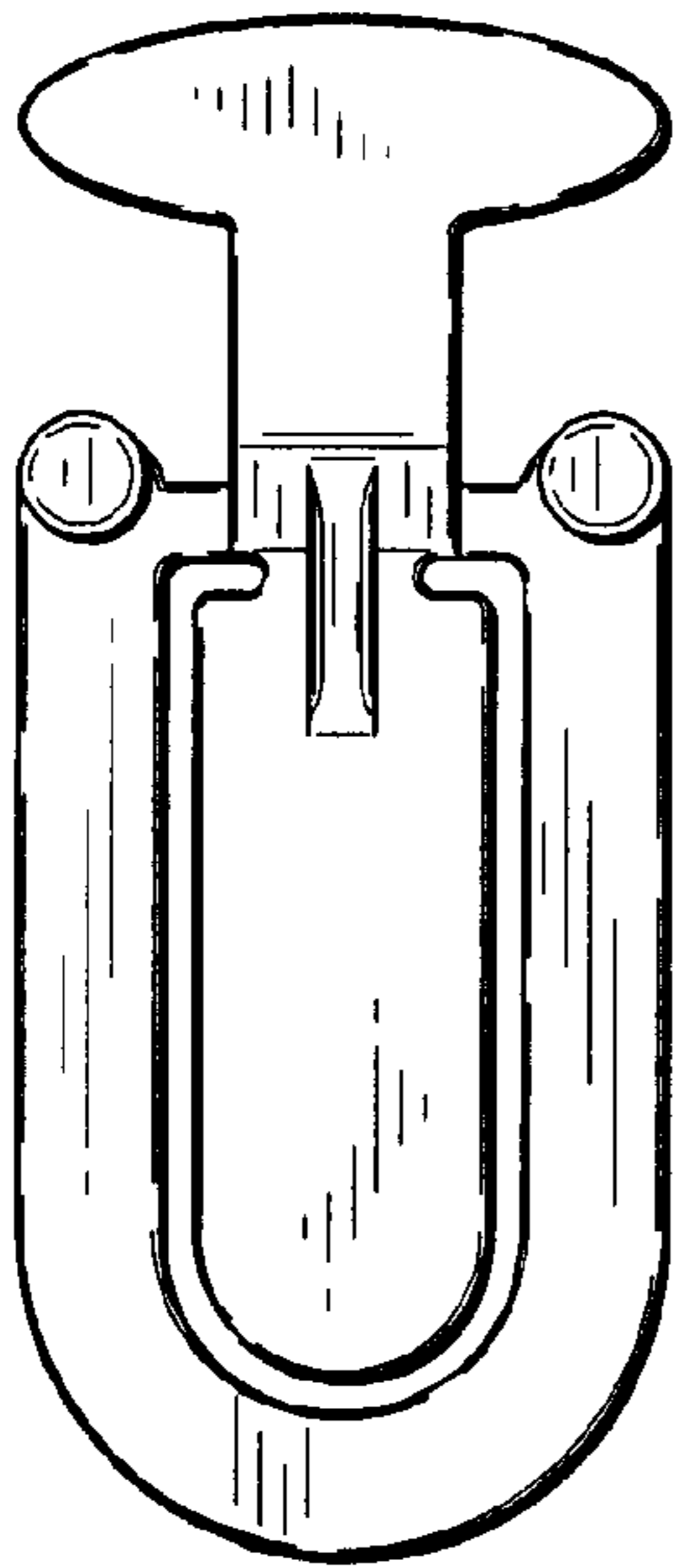


FIG. 6

