



US00D467971S

(12) **United States Design Patent**
Mak

(10) **Patent No.:** **US D467,971 S**

(45) **Date of Patent:** **** Dec. 31, 2002**

(54) **TOY DRAWING BOARD**

(75) Inventor: **Kai-Shun Mak**, New Territories (CN)

(73) Assignee: **Hop Lee Cheong Industrial Company Limited**, Hong Kong (CN)

(**) Term: **14 Years**

(21) Appl. No.: **29/161,698**

(22) Filed: **May 31, 2002**

(30) **Foreign Application Priority Data**

Dec. 27, 2001 (HK) 0111950

(51) **LOC (7) Cl.** **19-06**

(52) **U.S. Cl.** **D19/52; D19/35; D19/78;**
D21/469

(58) **Field of Search** D19/35, 36, 52,
D19/65, 78, 81-85, 86, 90, 91; D21/398,
468, 469; 434/81-85, 87, 88, 90, 91, 98,
408, 409, 415, 416, 422

(56) **References Cited**

U.S. PATENT DOCUMENTS

4,306,868 A * 12/1981 Hankins 434/85
D282,183 S * 1/1986 Shiraishi D21/398

4,931,019 A * 6/1990 Park 434/409
D327,498 S * 6/1992 Watson et al. D19/52
D359,984 S * 7/1995 Mak D19/52
5,674,104 A * 10/1997 Ohashi et al. 434/409 X
5,676,549 A * 10/1997 Arad et al. 434/84
5,820,385 A * 10/1998 Ohashi et al. 434/408 X
D419,190 S * 1/2000 Mak D19/52

* cited by examiner

Primary Examiner—Martie K. Holtje

(74) *Attorney, Agent, or Firm*—Alix, Yale & Ristas, LLP

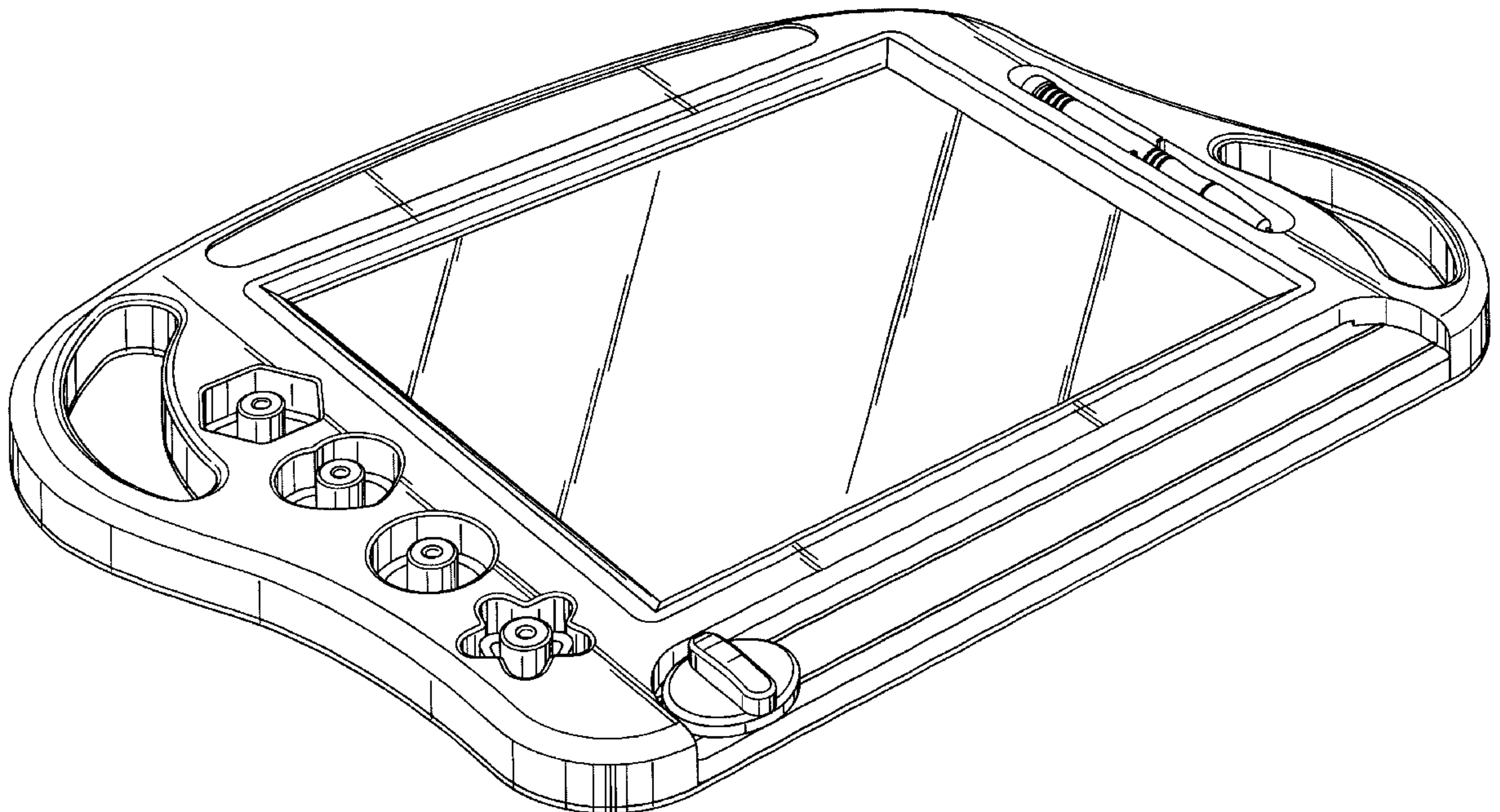
(57) **CLAIM**

The ornamental design for a toy drawing board, as shown and described.

DESCRIPTION

FIG. 1 is a front perspective view of a toy drawing board showing my new design;
FIG. 2 is a front elevational view thereof;
FIG. 3 is a rear elevational view thereof;
FIG. 4 is a top plan view thereof;
FIG. 5 is a bottom plan view thereof
FIG. 6 is a left side elevational view thereof; and,
FIG. 7 is a right side elevational view thereof.

1 Claim, 5 Drawing Sheets



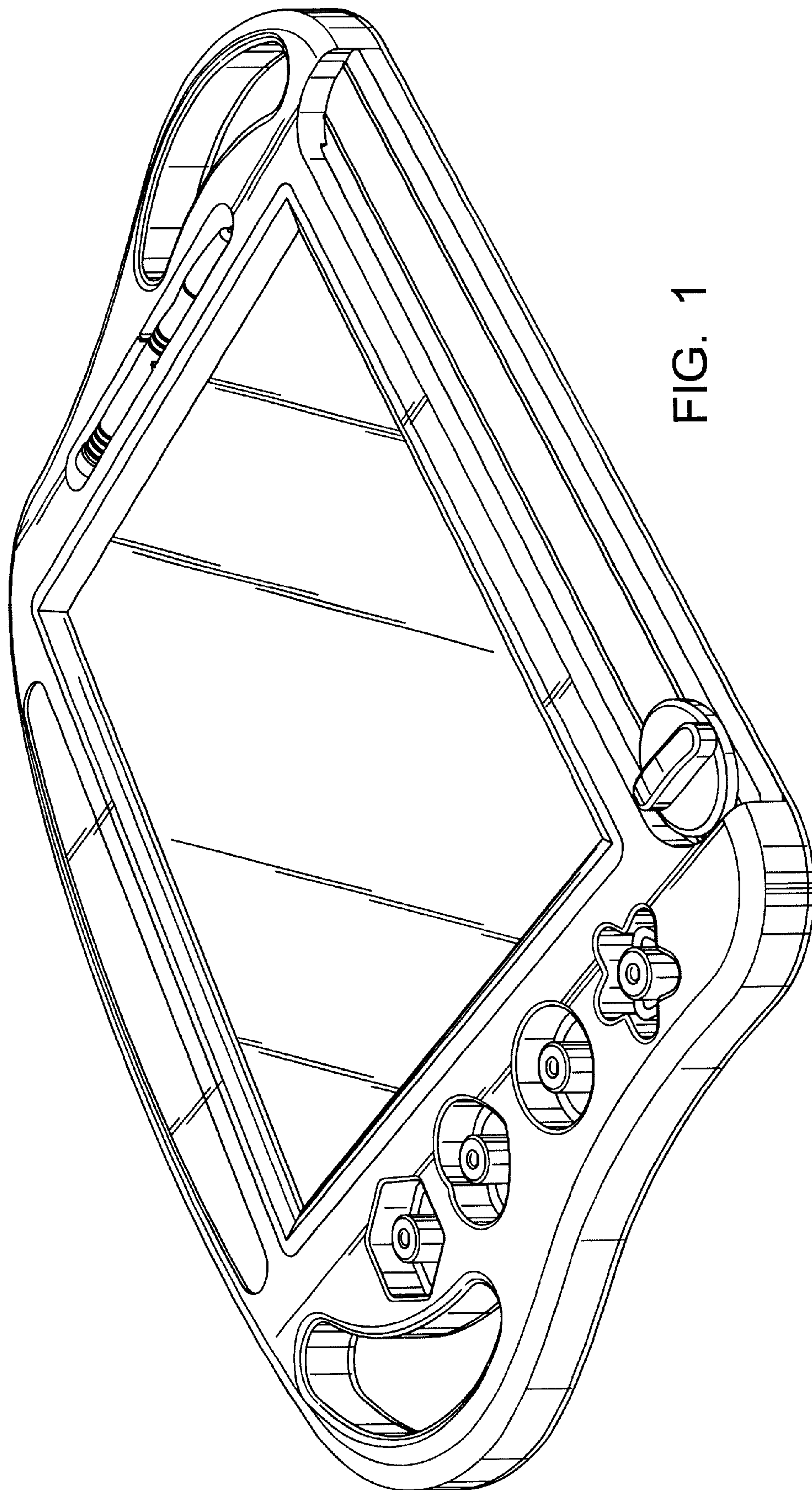


FIG. 1

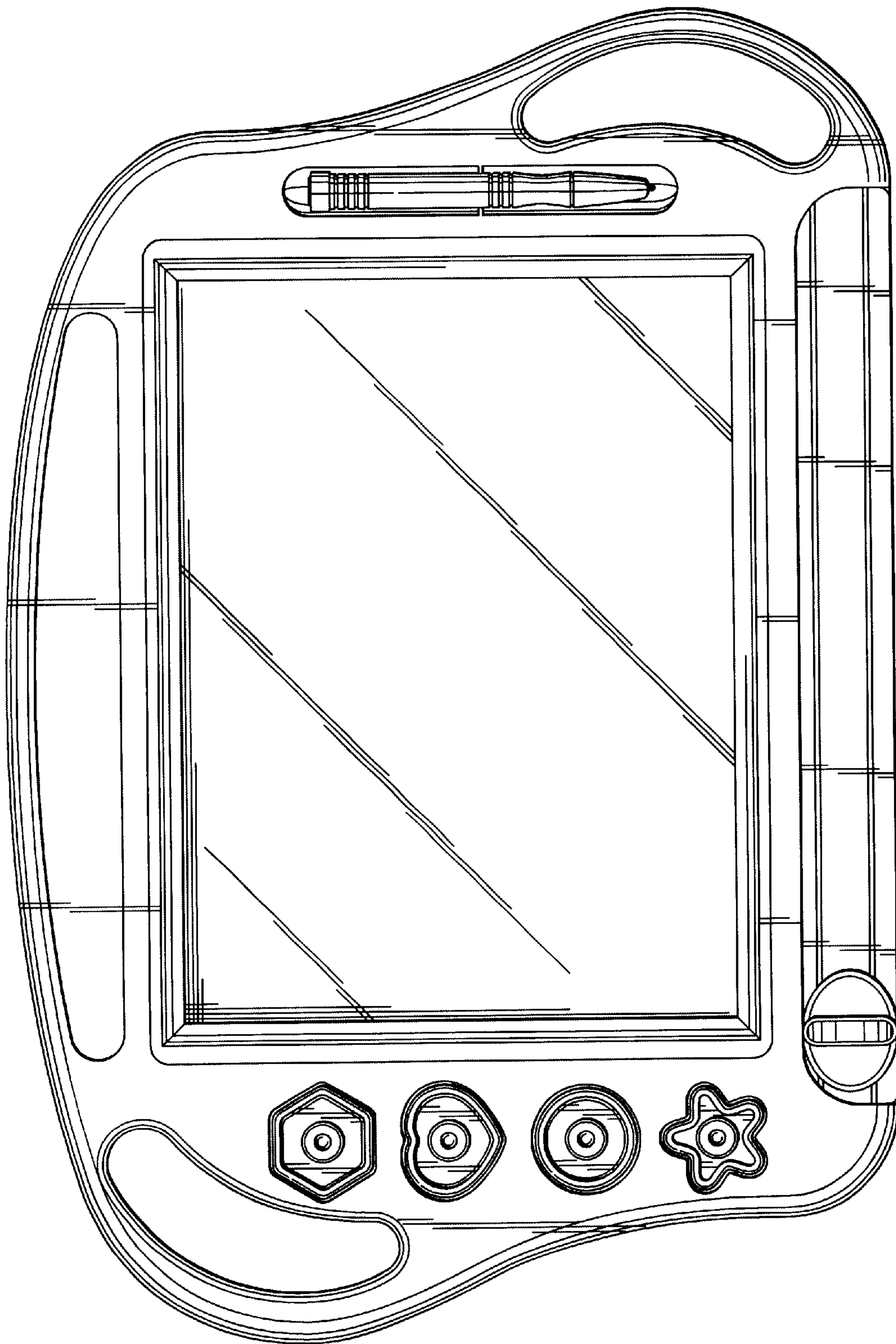


FIG. 2

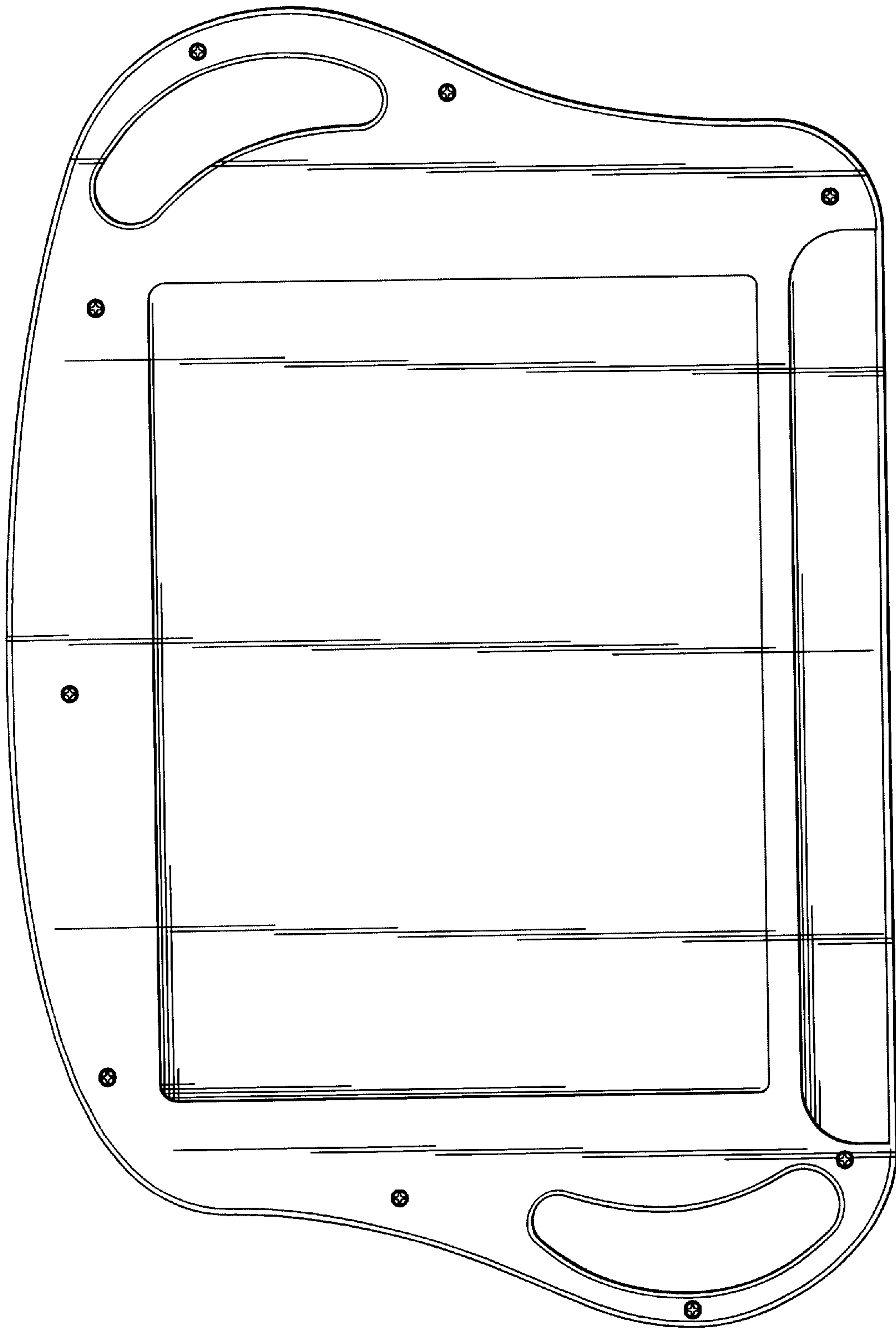


FIG. 3

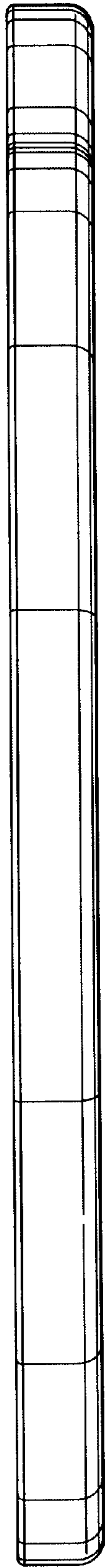


FIG. 4

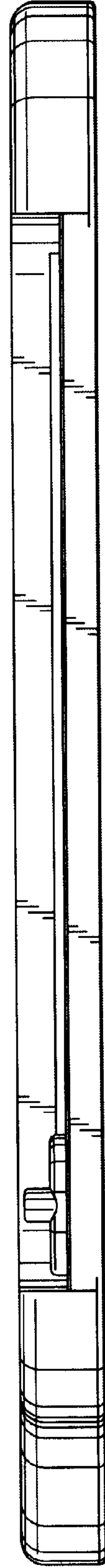


FIG. 5

FIG. 7

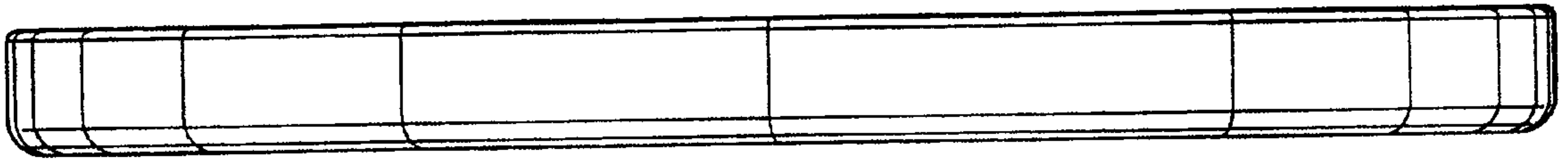


FIG. 6

