



US00D467970S

(12) **United States Design Patent**  
**Pellissa Beneyto**

(10) **Patent No.:** **US D467,970 S**

(45) **Date of Patent:** **\*\* Dec. 31, 2002**

(54) **WRITING INSTRUMENT**

(74) *Attorney, Agent, or Firm*—Michael J. Striker

(75) **Inventor:** **Ferran Pellissa Beneyto**, Celra (ES)

(57) **CLAIM**

(73) **Assignee:** **Inoxcrom, S.A.**, Barcelona (ES)

I claim the ornamental design for a writing instrument, as shown and described.

(\*\*) **Term:** **14 Years**

**DESCRIPTION**

(21) **Appl. No.:** **29/159,203**

FIG. 1 is a front elevational view of a writing instrument showing my new design;

(22) **Filed:** **Apr. 17, 2002**

FIG. 2 is a side elevational view, the opposite side being a mirror image thereof;

**Related U.S. Application Data**

(62) Division of application No. 29/147,986, filed on Sep. 12, 2001.

FIG. 3 is a rear elevational view;

(51) **LOC (7) Cl.** ..... **19-06**

FIG. 4 is a top plan view;

(52) **U.S. Cl.** ..... **D19/43; D19/56; D19/55**

FIG. 5 is a bottom plan view;

(58) **Field of Search** ..... D19/35, 36, 41-51, D19/53-58, 81-85; 401/98, 202, 209, 213, 221, 222, 243-247, 262

FIG. 6 is a front elevational view of the writing instrument shown in FIGS. 1 through 5 with the cap member removed for ease of illustration.

(56) **References Cited**

**U.S. PATENT DOCUMENTS**

D191,555 S	*	10/1961	Parker	.....	D19/55
D256,136 S	*	7/1980	Muller	.....	D19/51
D258,217 S	*	2/1981	Sakaoka	.....	D19/49
D267,655 S	*	1/1983	Verona	.....	D19/51
D275,297 S	*	8/1984	Ohyabu	.....	D19/49
D277,393 S	*	1/1985	Oyabu	.....	D19/51
D279,383 S	*	6/1985	Hillebrand et al.	.....	D19/51
D294,599 S	*	3/1988	Funahashi et al.	.....	D19/48
D323,673 S	*	2/1992	Gomez	.....	D19/49
D437,888 S	*	2/2001	Briggl et al.	.....	D19/51
D440,601 S	*	4/2001	Sasaki	.....	D19/43

FIG. 7 is a side elevational view of FIG. 6, the opposite side being a mirror image thereof;

FIG. 8 is a rear elevational view of FIG. 6;

FIG. 9 is a top plan view of FIG. 6;

FIG. 10 is a bottom plan view of FIG. 6;

FIG. 11 is front elevational view of a second embodiment of the writing instrument shown in FIG. 1, the only difference being the writing tip structure, with the cap member removed for ease of illustration;

FIG. 12 is a side elevational view of FIG. 11, the opposite side being a mirror image thereof;

FIG. 13 is a rear elevational view of FIG. 11;

FIG. 14 is a top plan view of FIG. 11; and,

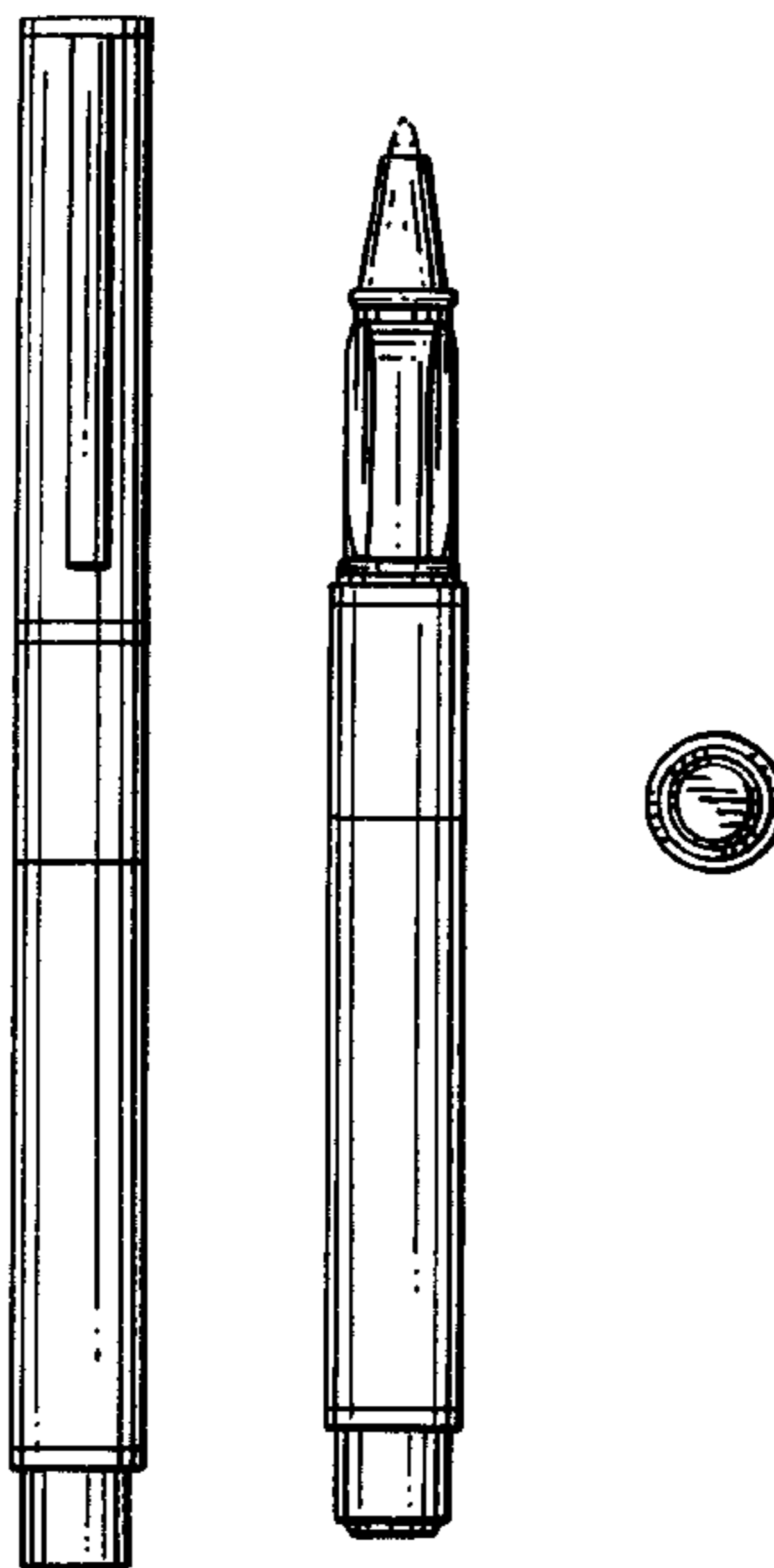
FIG. 15 is a bottom plan view of FIG. 11.

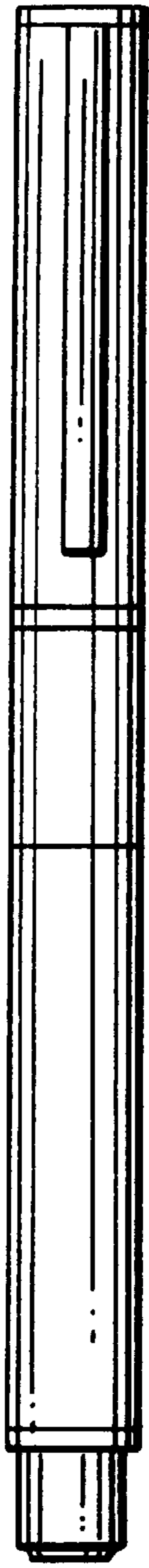
The writing tips depicted by means of broken lines in FIGS. 6 and 11 have been shown for illustrative purposes only and form no part of the claimed design.

\* cited by examiner

*Primary Examiner*—Martie K. Holtje

**1 Claim, 3 Drawing Sheets**





*FIG. 1*



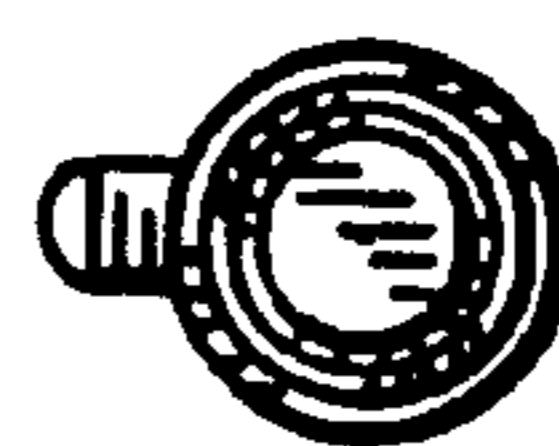
*FIG. 2*



*FIG. 3*



*FIG. 4*



*FIG. 5*

*FIG. 6*



*FIG. 7*



*FIG. 8*



*FIG. 9*



*FIG. 10*

*FIG. 11*



*FIG. 12*



*FIG. 13*



*FIG. 14*



*FIG. 15*