

US00D467967S

(12) **United States Design Patent**
Shamitoff

(10) **Patent No.:** **US D467,967 S**

(45) **Date of Patent:** **** Dec. 31, 2002**

(54) **COMPUTER CHIP WRITING INSTRUMENT**

(76) **Inventor:** **Joel B. Shamitoff**, 141 Redhawk Ct.,
Brisbane, CA (US) 94005

(**) **Term:** **14 Years**

(21) **Appl. No.:** **29/115,760**

(22) **Filed:** **Dec. 20, 1999**

Related U.S. Application Data

(63) Continuation of application No. 09/434,828, filed on Nov. 5, 1999.

(51) **LOC (7) Cl.** **19-06**

(52) **U.S. Cl.** **D19/42; D19/46**

(58) **Field of Search** D19/35, 36, 41-51,
D19/53-58, 81-85; 401/6, 7, 88, 99, 52,
195, 209, 213

(56) **References Cited**

U.S. PATENT DOCUMENTS

3,168,072 A * 2/1965 Nitta 401/6

D302,985 S * 8/1989 Vinck D19/41
D344,759 S * 3/1994 Monzyk D19/46
D350,115 S * 8/1994 Iftikar et al. D14/479
D394,050 S * 5/1998 Funawatari D14/479
D409,178 S * 5/1999 Klinker D14/436

FOREIGN PATENT DOCUMENTS

DE 3342982 * 5/1985

* cited by examiner

Primary Examiner—Martie K. Holtje

(74) *Attorney, Agent, or Firm*—Fliesler Dubb Meyer & Lovejoy LLP

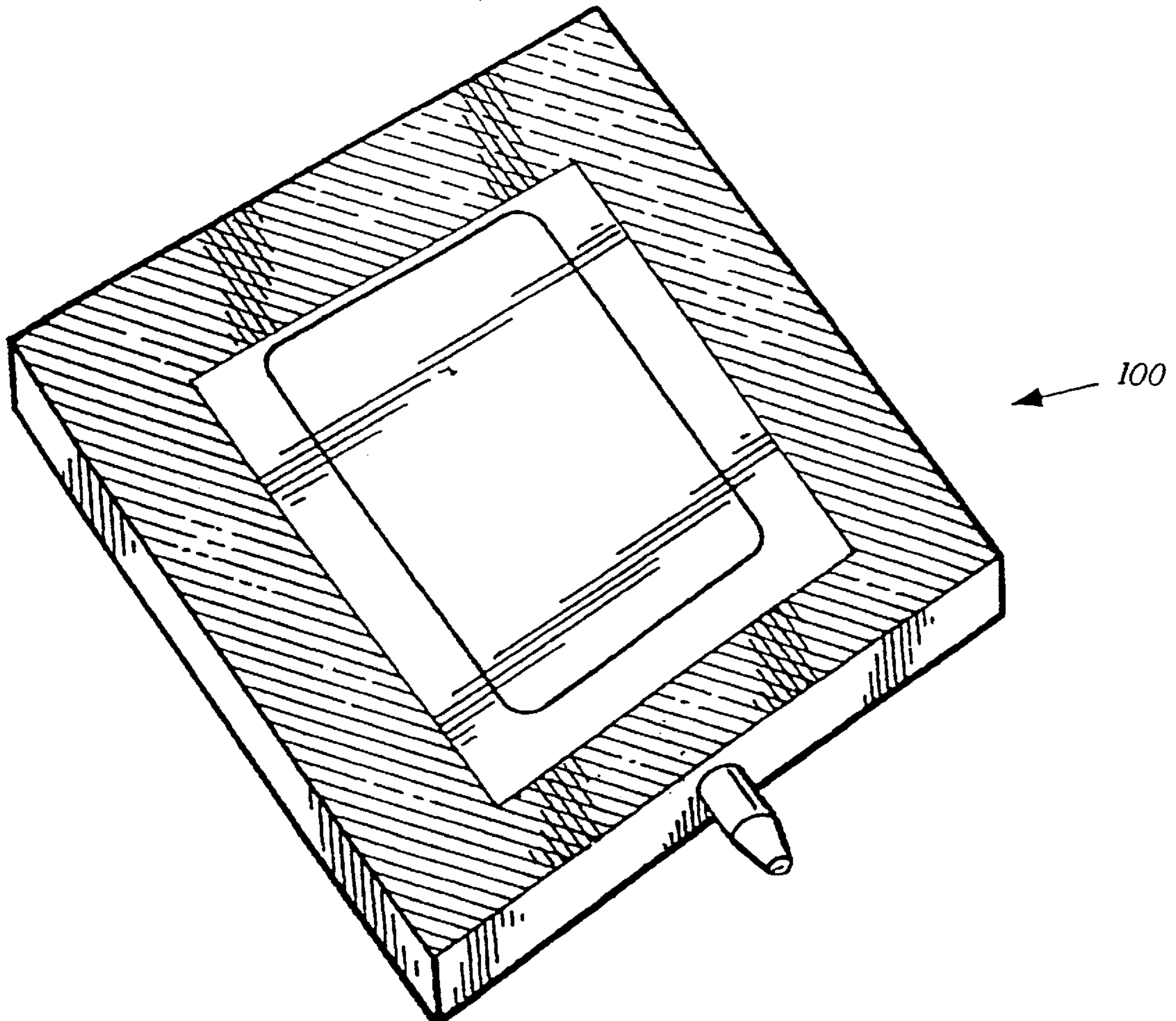
(57) **CLAIM**

The ornamental design for a computer chip writing instrument, as shown and described.

DESCRIPTION

FIG. 1 is a perspective view of a computer chip writing instrument showing my new design; and, FIG. 2 is a perspective view of a second embodiment thereof.

1 Claim, 2 Drawing Sheets



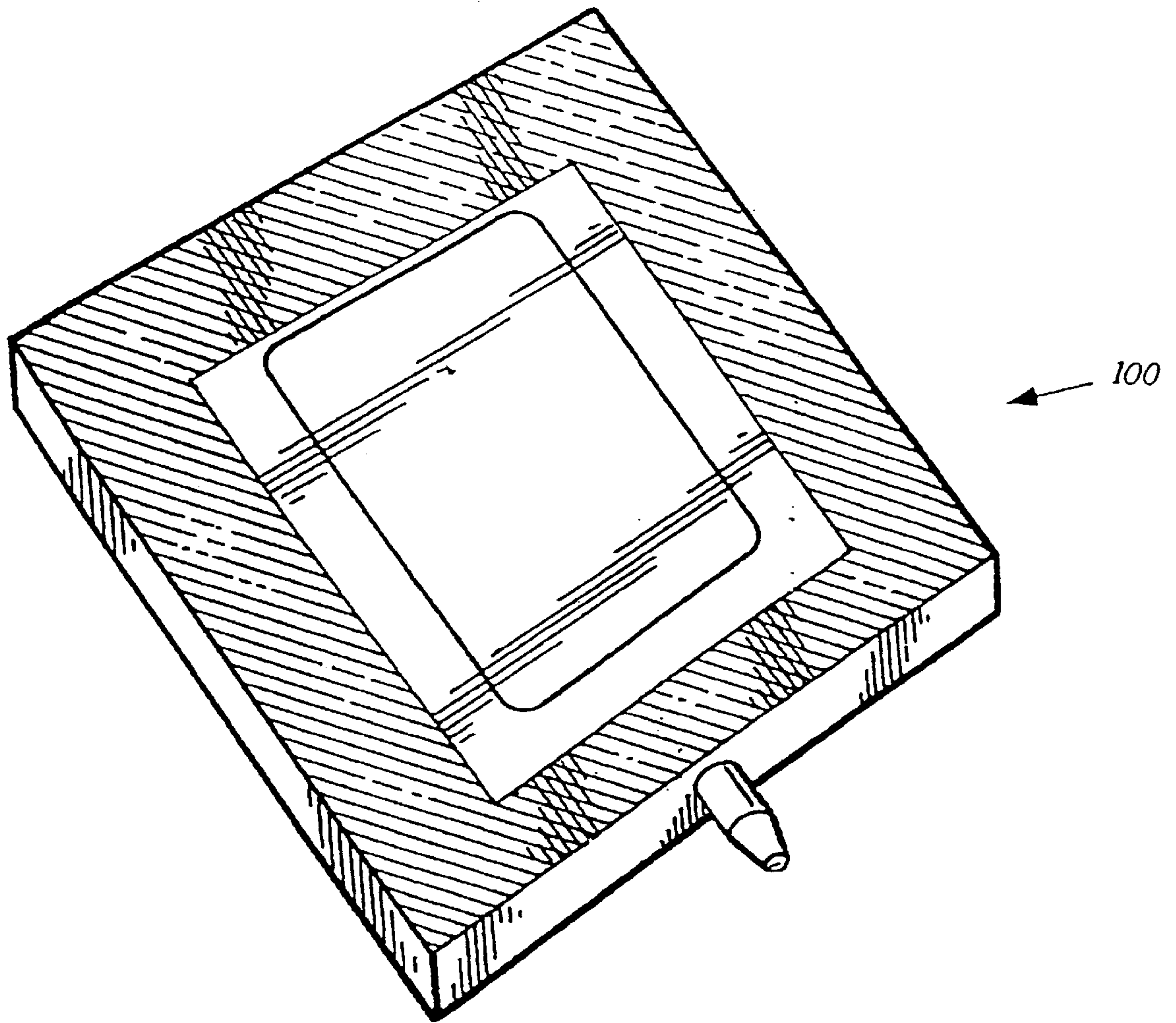


FIG. 1

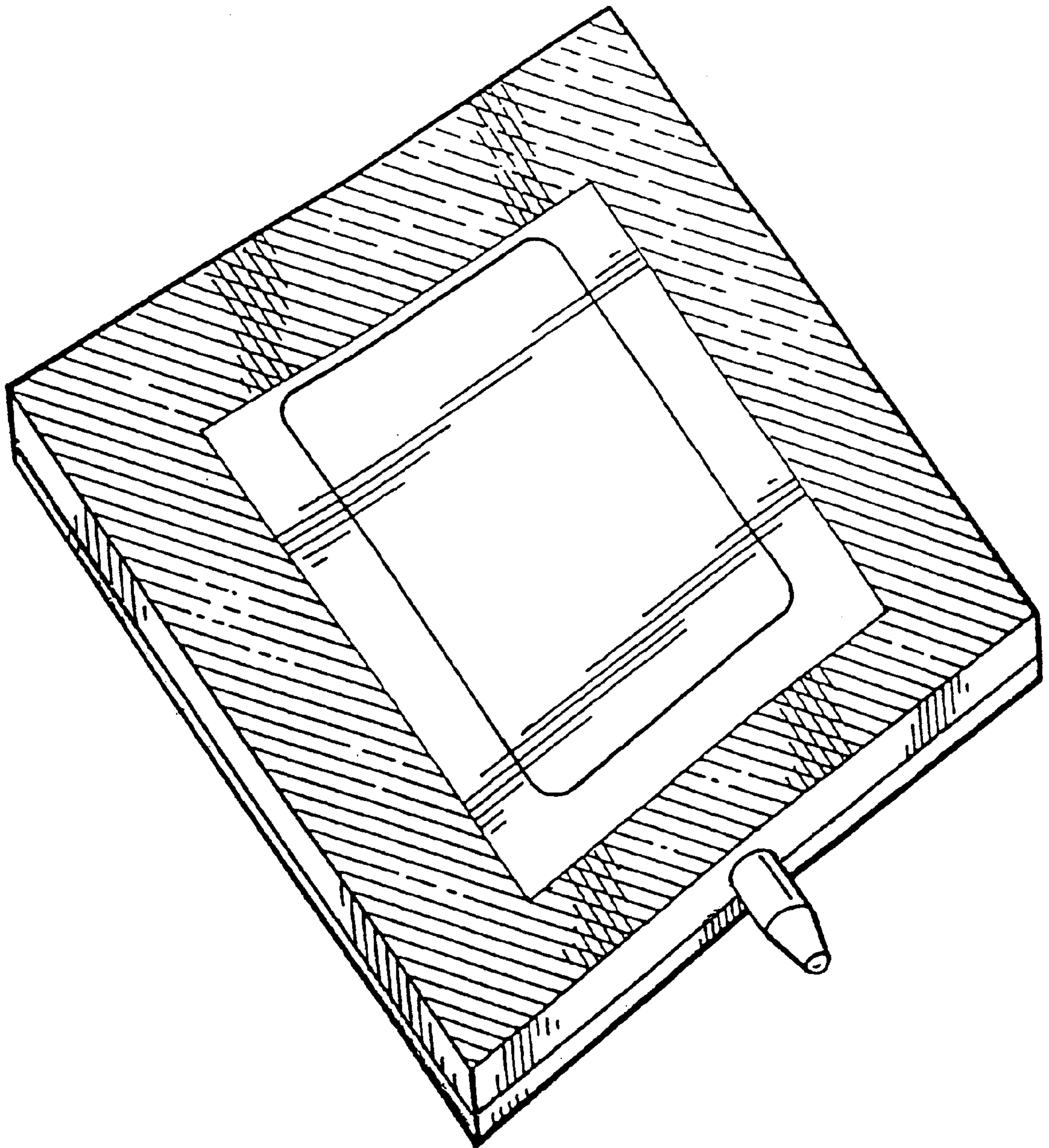


FIG. 2