



US00D467962S

(12) **United States Design Patent**
Ishigami

(10) **Patent No.:** **US D467,962 S**

(45) **Date of Patent:** **** Dec. 31, 2002**

(54) **PORTABLE PRINTER**

(75) Inventor: **Michifumi Ishigami**, Nagoya (JP)

(73) Assignee: **Brother Industries, Ltd.**, Nagoya (JP)

(**) Term: **14 Years**

(21) Appl. No.: **29/147,456**

(22) Filed: **Aug. 30, 2001**

(30) **Foreign Application Priority Data**

Mar. 6, 2001 (JP) 2001-005448

(51) **LOC (7) Cl.** **19-02**

(52) **U.S. Cl.** **D18/14; D18/50; D14/240**

(58) **Field of Search** 320/2; D13/103;
D18/50, 14, 15, 18, 19, 99; 221/232; 400/62,
63, 88, 83, 194, 208, 223, 242, 247, 615.2,
76, 602; 101/288, 219, 226-228, 486; D14/341,
240, 346; 707/517, 526, 527, 529, 542;
D19/65; 347/40, 68, 171, 218, 222

(56) **References Cited**

U.S. PATENT DOCUMENTS

3,395,413 A * 8/1968 Dalton 15/4
3,397,818 A * 8/1968 Rey 221/232

4,412,232 A * 10/1983 Weber et al. 347/68
D292,913 S * 11/1987 Shaper D13/103
D295,511 S * 5/1988 Scheid et al. D13/103
4,915,027 A * 4/1990 Ishibashi et al. 101/486
5,240,334 A * 8/1993 Epstein et al. 400/88
5,600,223 A * 2/1997 Shirai 320/2
5,634,730 A * 6/1997 Bobry 400/88
6,070,962 A * 6/2000 Kinoshita 347/40

* cited by examiner

Primary Examiner—Martie K. Holtje

(74) *Attorney, Agent, or Firm*—Oliff & Berridge, PLC

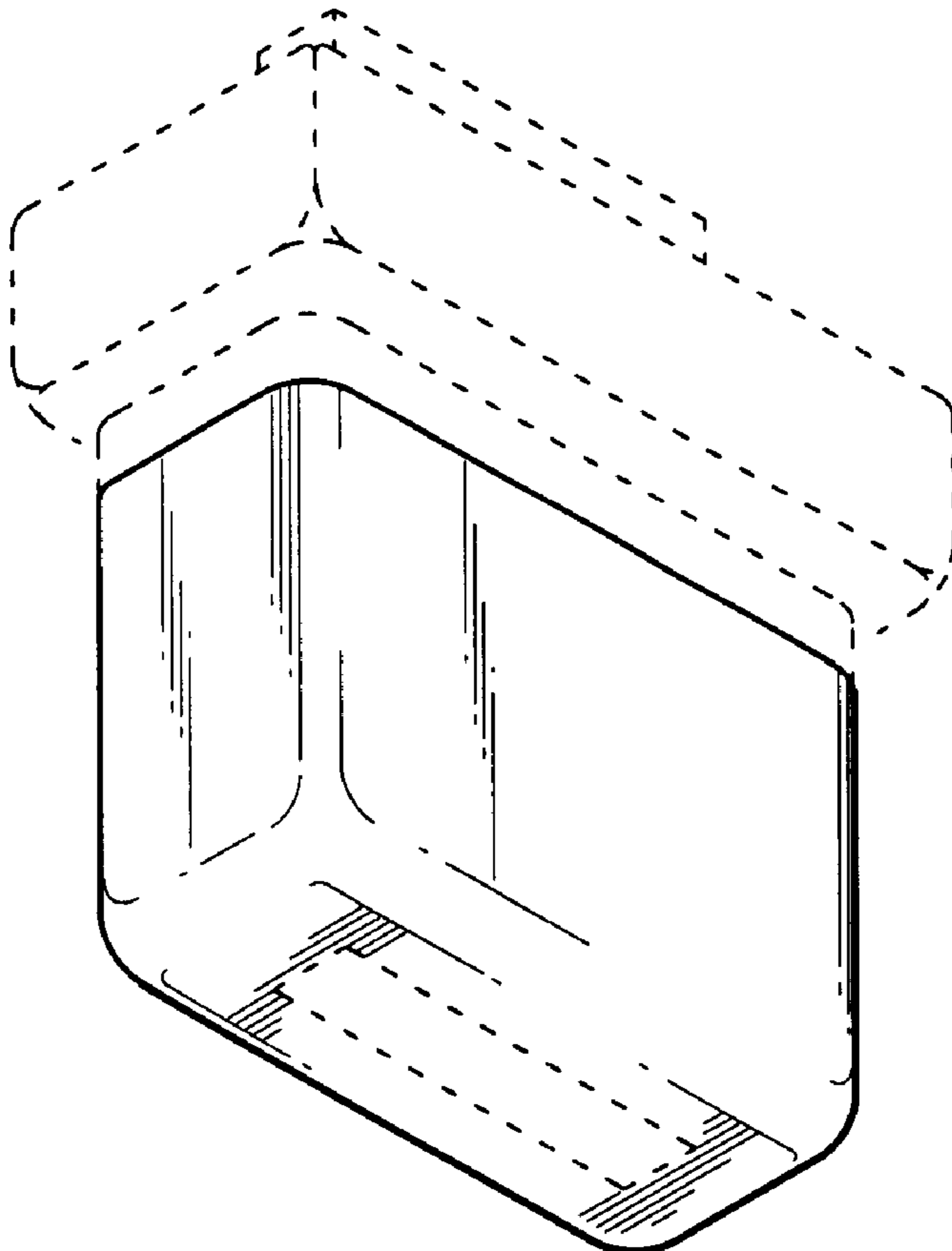
(57) **CLAIM**

The ornamental design for portable printer, as shown and described.

DESCRIPTION

FIG. 1 is a front view of a portable printer;
FIG. 2 is a right side view thereof, the left side being a mirror image;
FIG. 3 is a bottom view thereof; and,
FIG. 4 is a bottom perspective view thereof.
The top view contains no ornamentality and is omitted.
The broken lines define the bounds of the claimed design, but do not form part of the claimed design.

1 Claim, 2 Drawing Sheets



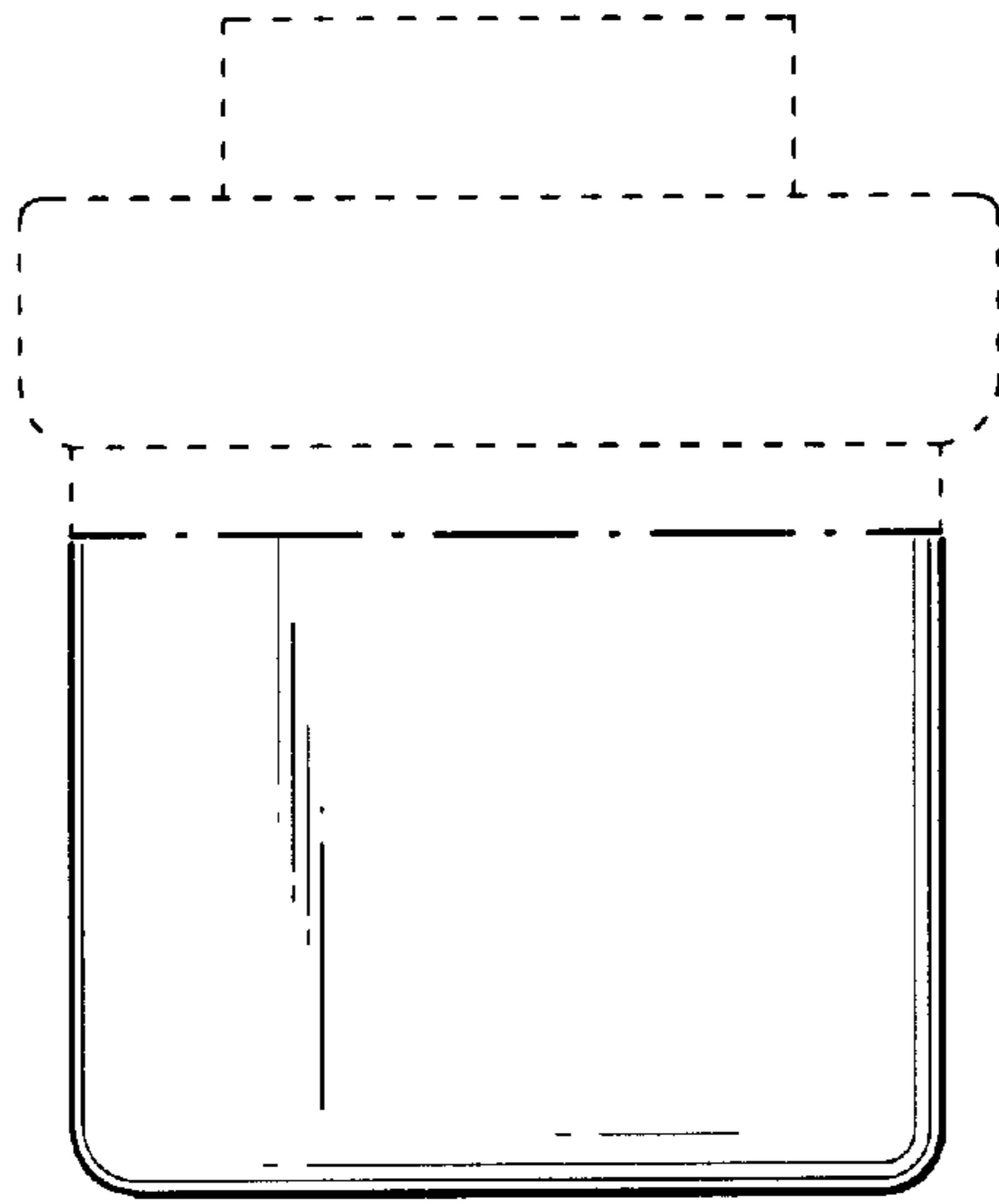


Fig. 1

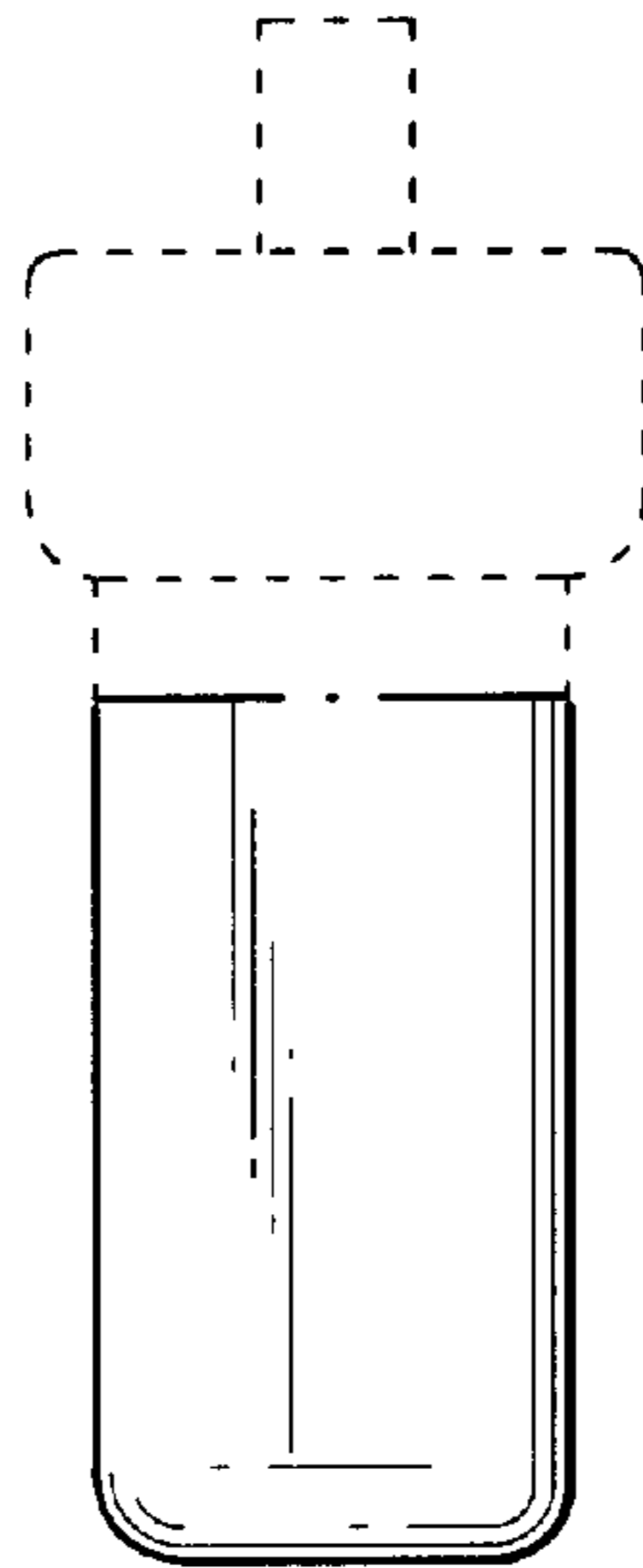


Fig. 2

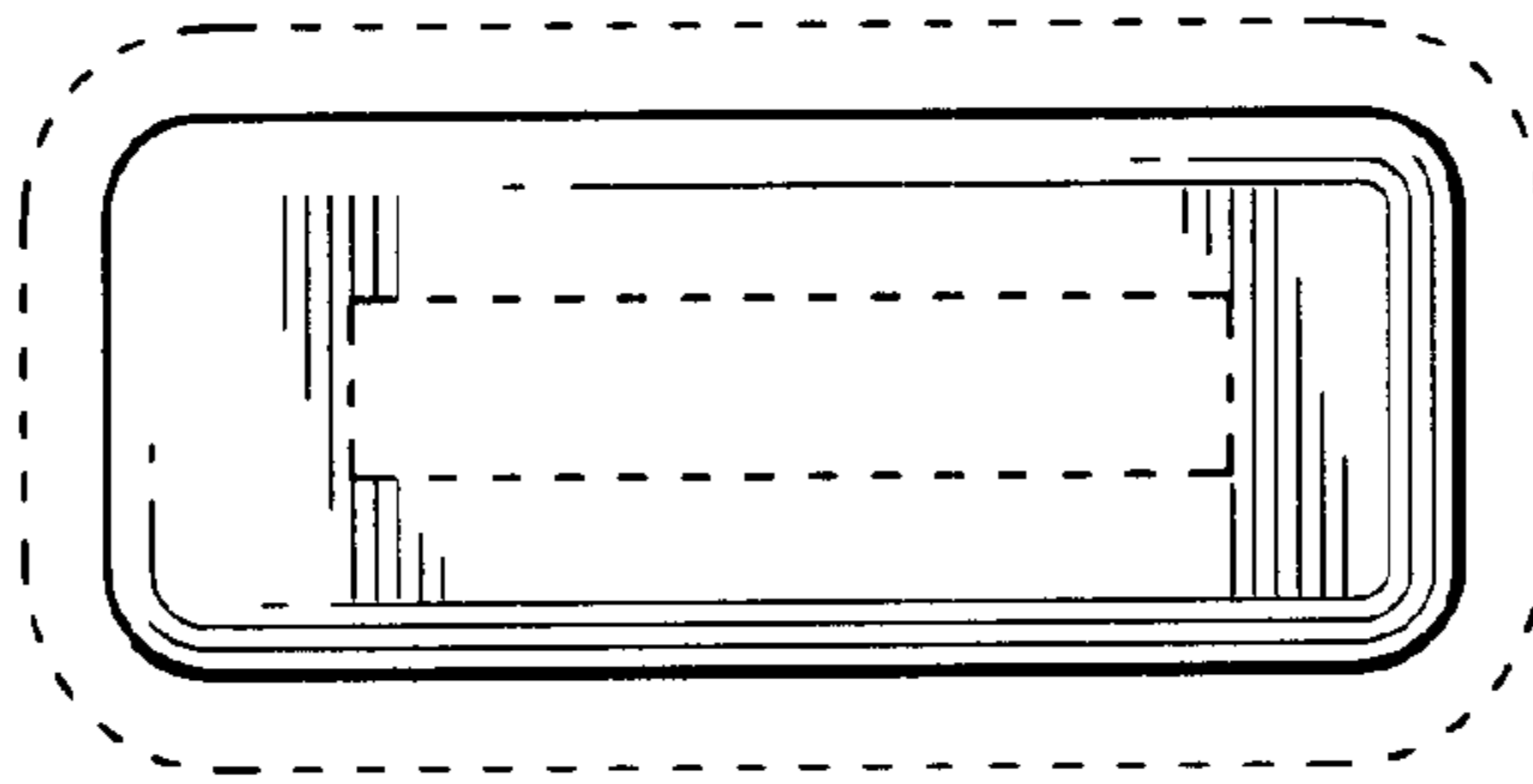


Fig. 3

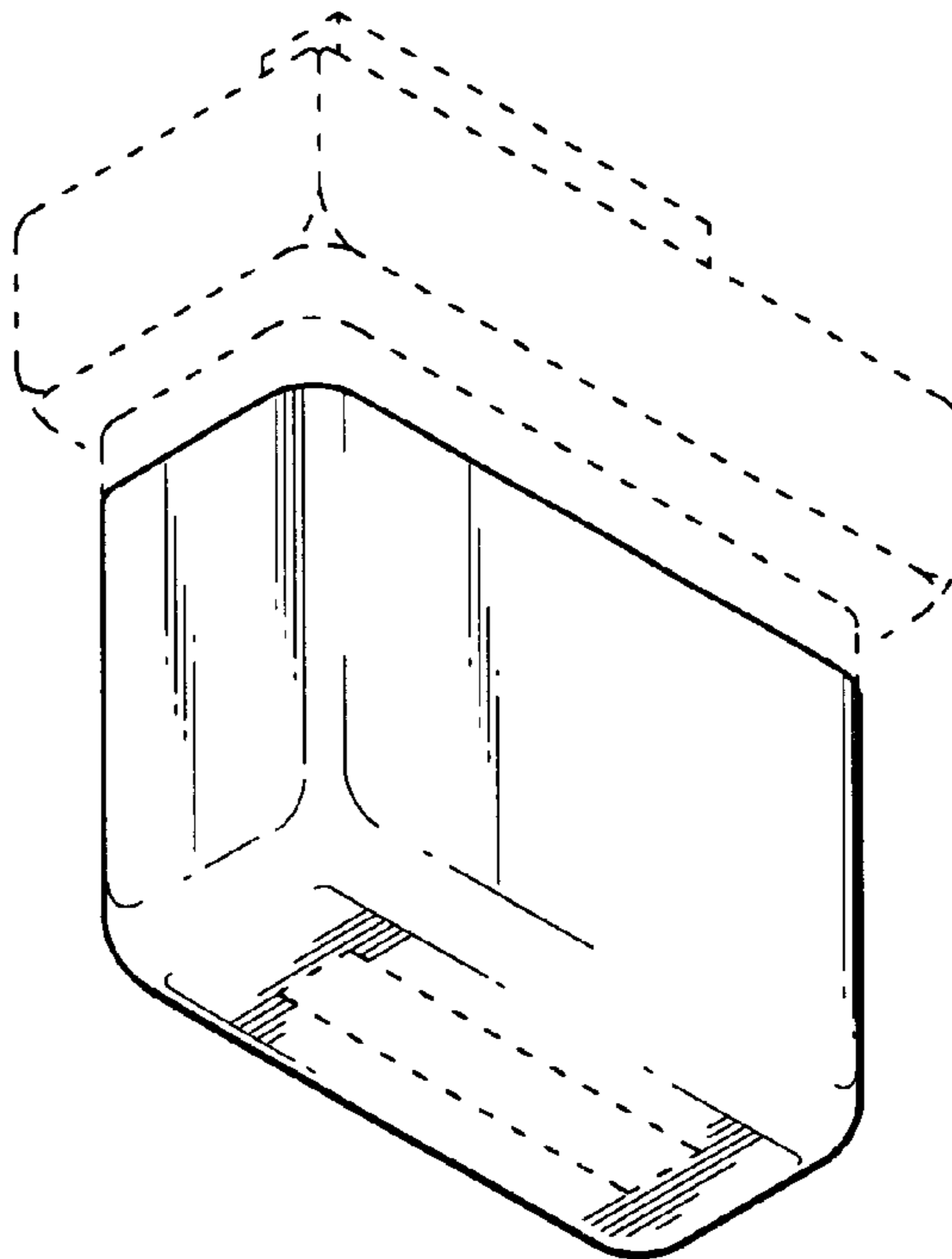


Fig. 4