



US00D467957S

(12) **United States Design Patent**
Senda

(10) **Patent No.:** **US D467,957 S**

(45) **Date of Patent:** **** Dec. 31, 2002**

(54) **CAMERA**

(75) Inventor: **Yutaka Senda**, Tokyo (JP)

(73) Assignee: **Fuji Photo Film Co., Ltd.**, Kanagawa (JP)

(**) Term: **14 Years**

(21) Appl. No.: **29/154,513**

(22) Filed: **Jan. 28, 2002**

(30) **Foreign Application Priority Data**

Jul. 26, 2001 (JP) 2001-021777

(51) **LOC (7) Cl.** **16-01**

(52) **U.S. Cl.** **D16/218; D16/209**

(58) **Field of Search** D16/200-206,
D16/208, 209, 217, 218; 396/6, 7, 535-541

(56) **References Cited**

U.S. PATENT DOCUMENTS

- D145,982 S * 11/1946 Mayer D16/218
- D327,898 S * 7/1992 Goldstein D16/209
- D329,447 S * 9/1992 McBride D16/209
- D425,096 S * 5/2000 Kondo D16/218

D457,907 S * 5/2002 Kondo D16/209
2001/0051043 A1 * 12/2001 Tanimura 396/6

* cited by examiner

Primary Examiner—Adir Aronovich

(74) *Attorney, Agent, or Firm*—Young & Thompson

(57) **CLAIM**

The ornamental design for a camera, as shown and described.

DESCRIPTION

FIG. 1 is a top, front and side perspective view of a camera showing my new design;

FIG. 2 is a front elevational view thereof;

FIG. 3 is a rear elevational view thereof;

FIG. 4 is a top plan view thereof;

FIG. 5 is a bottom plan view thereof;

FIG. 6 is a side elevational view thereof from the right of FIG. 2;

FIG. 7 is a side elevational view thereof from the left of FIG. 2; and,

FIG. 8 is a view similar to FIG. 1, but with the parts in a different position.

1 Claim, 4 Drawing Sheets

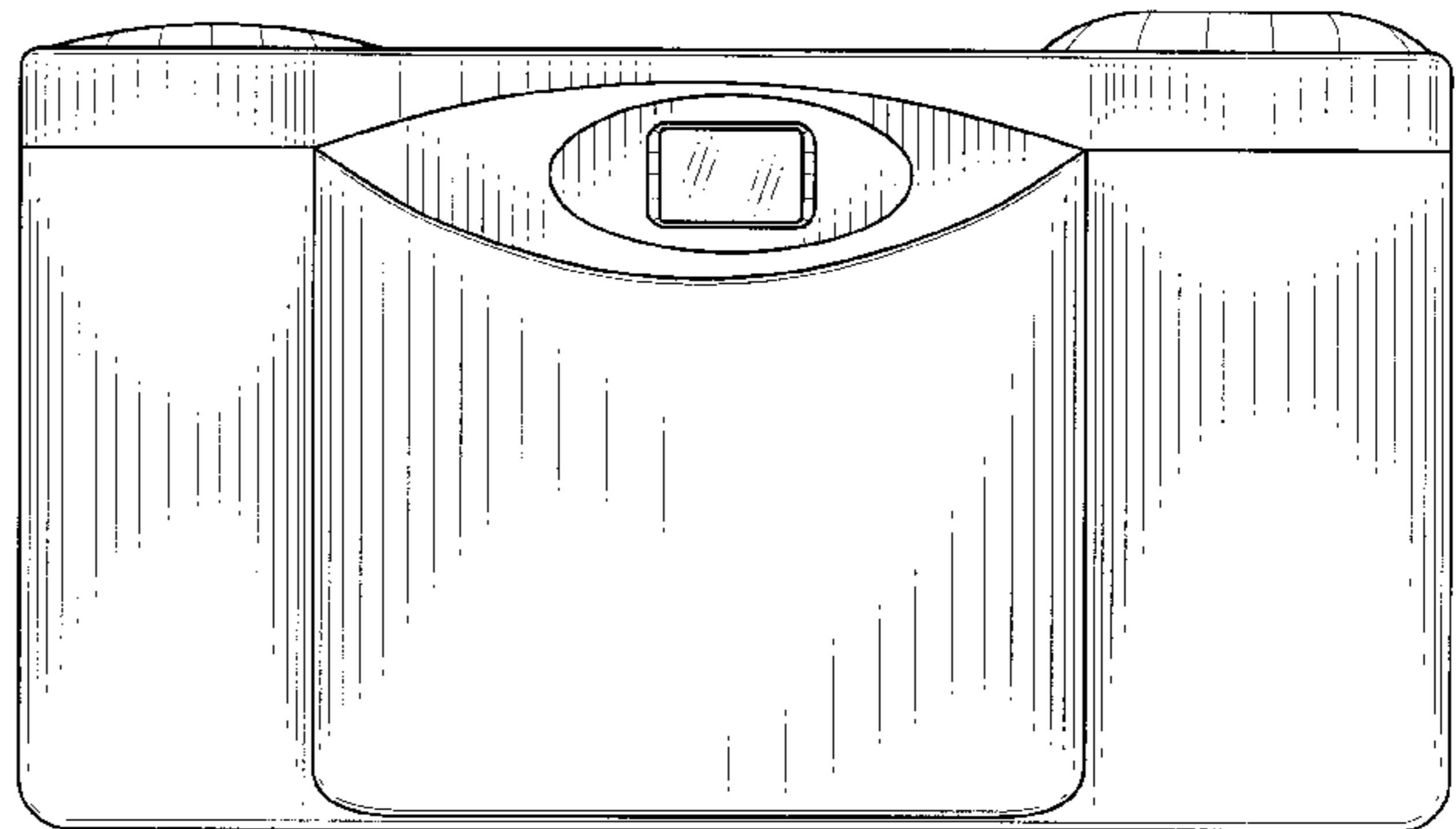
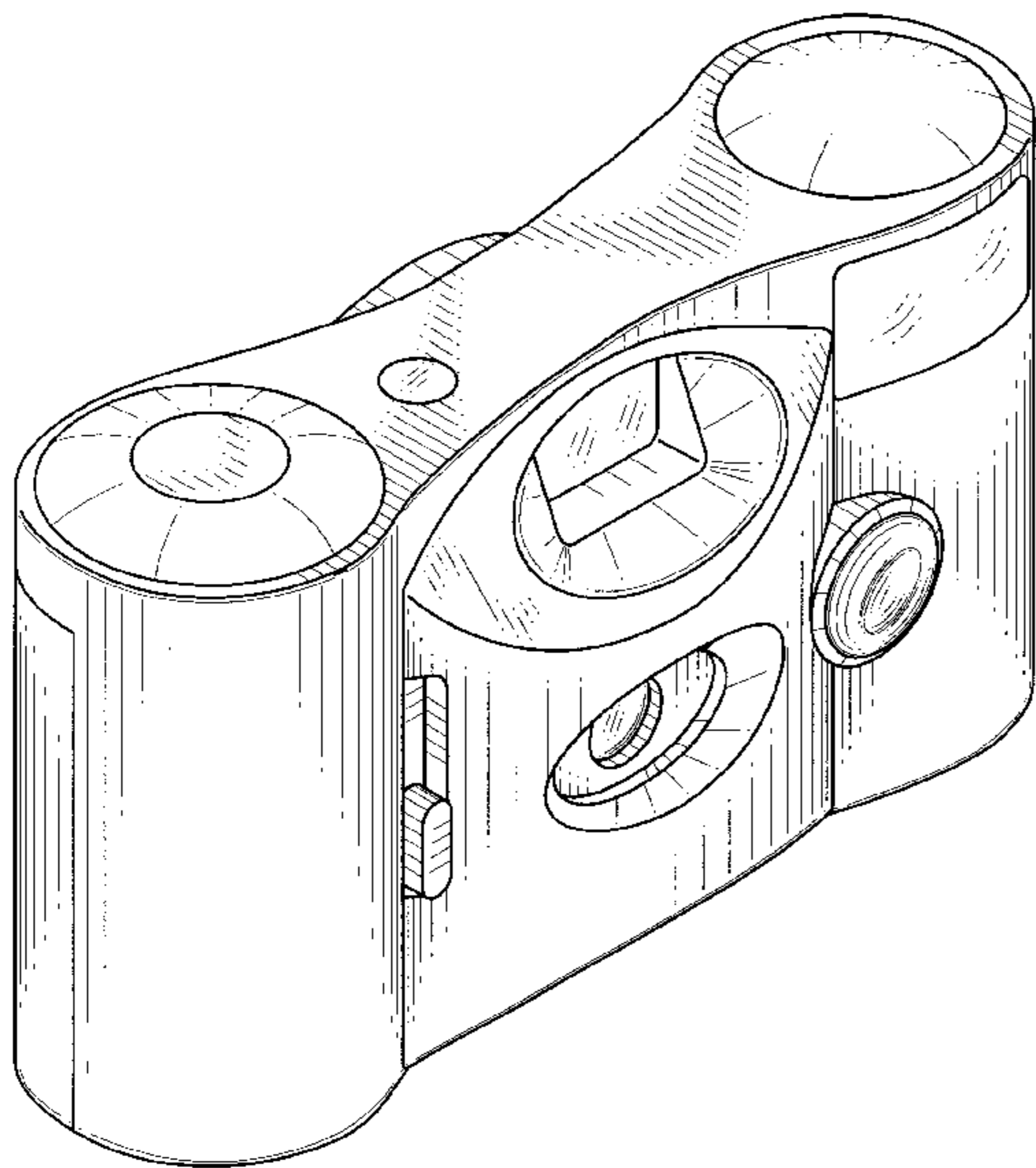


FIG. 1

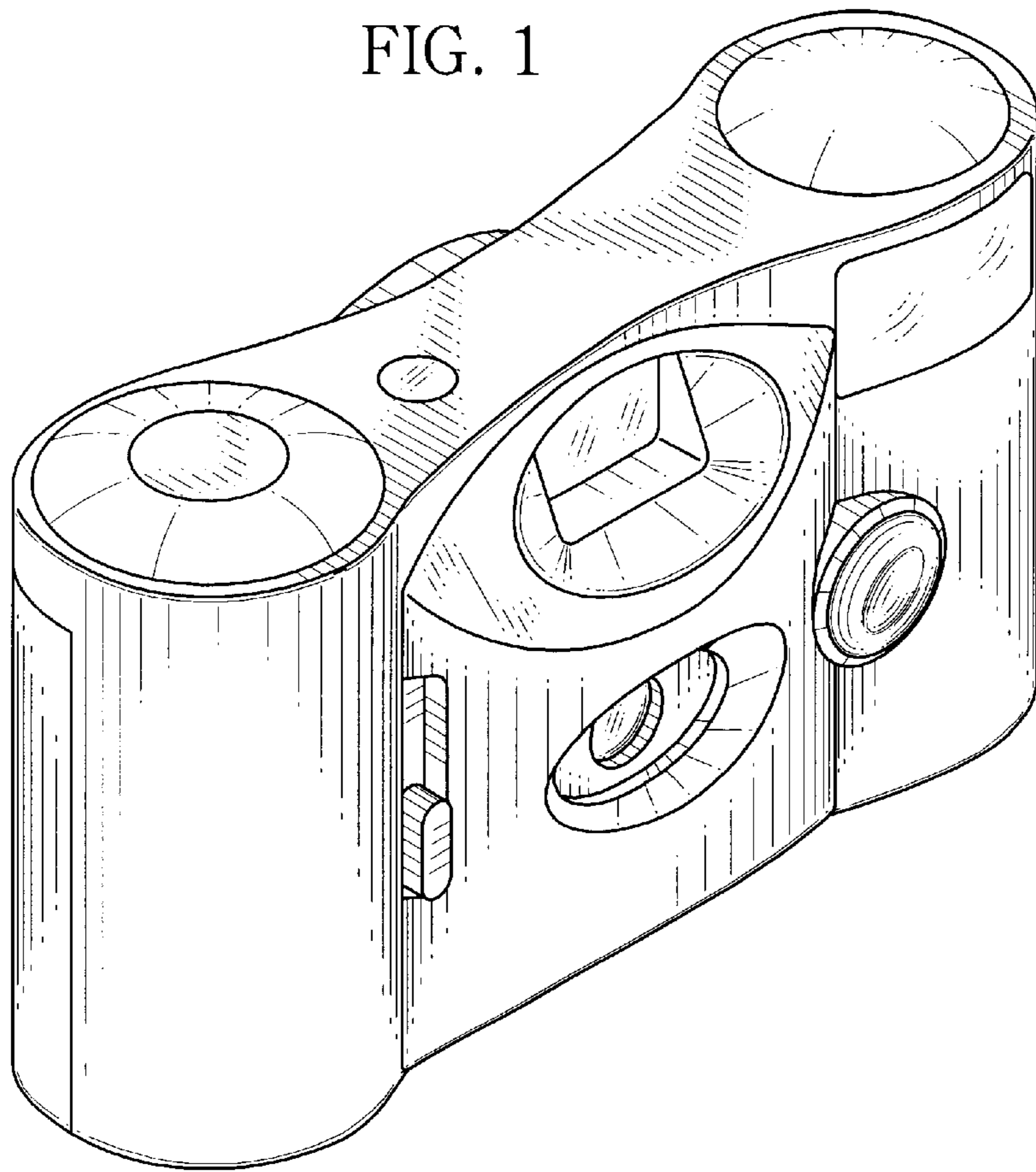


FIG. 2

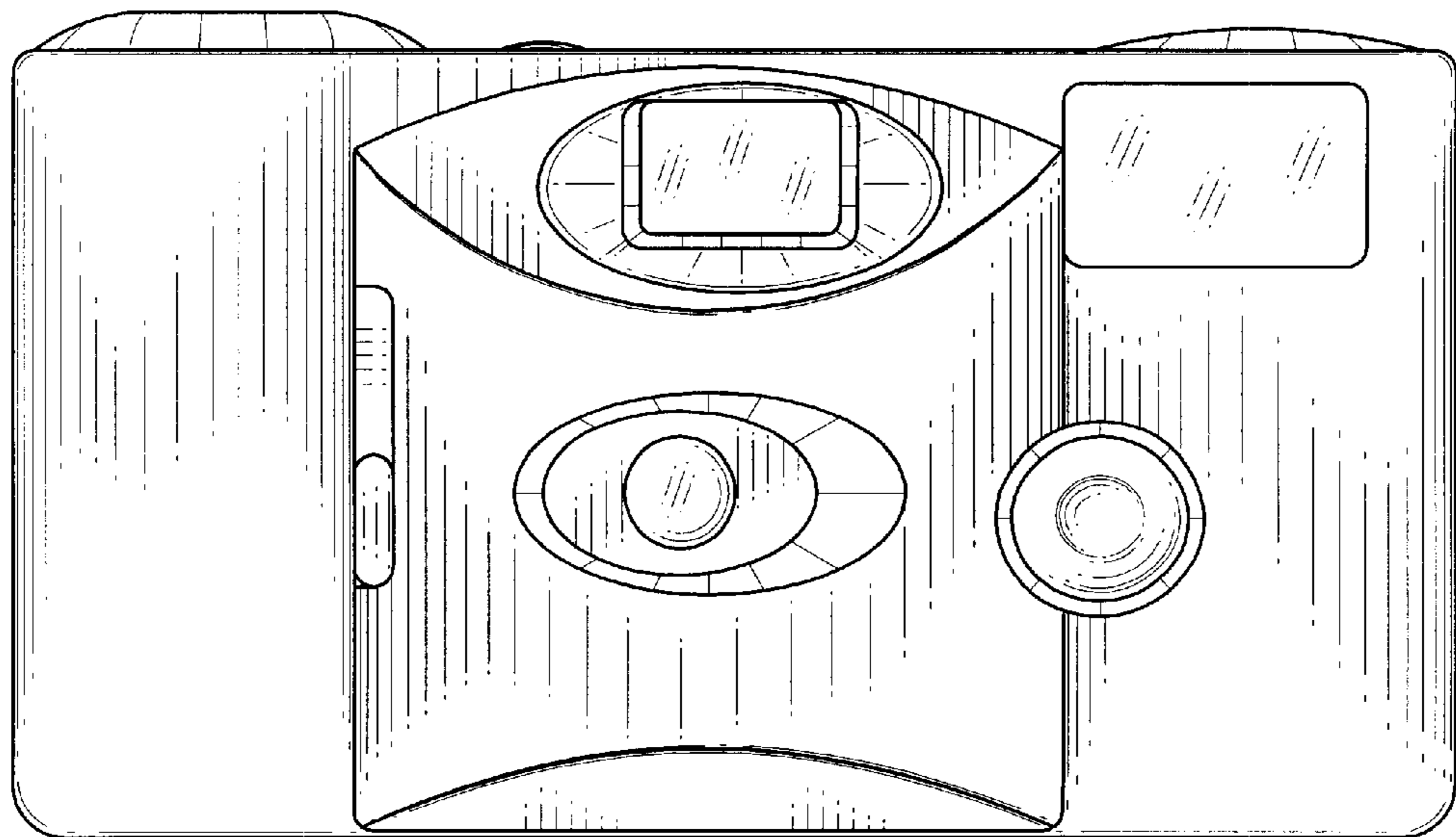


FIG. 3

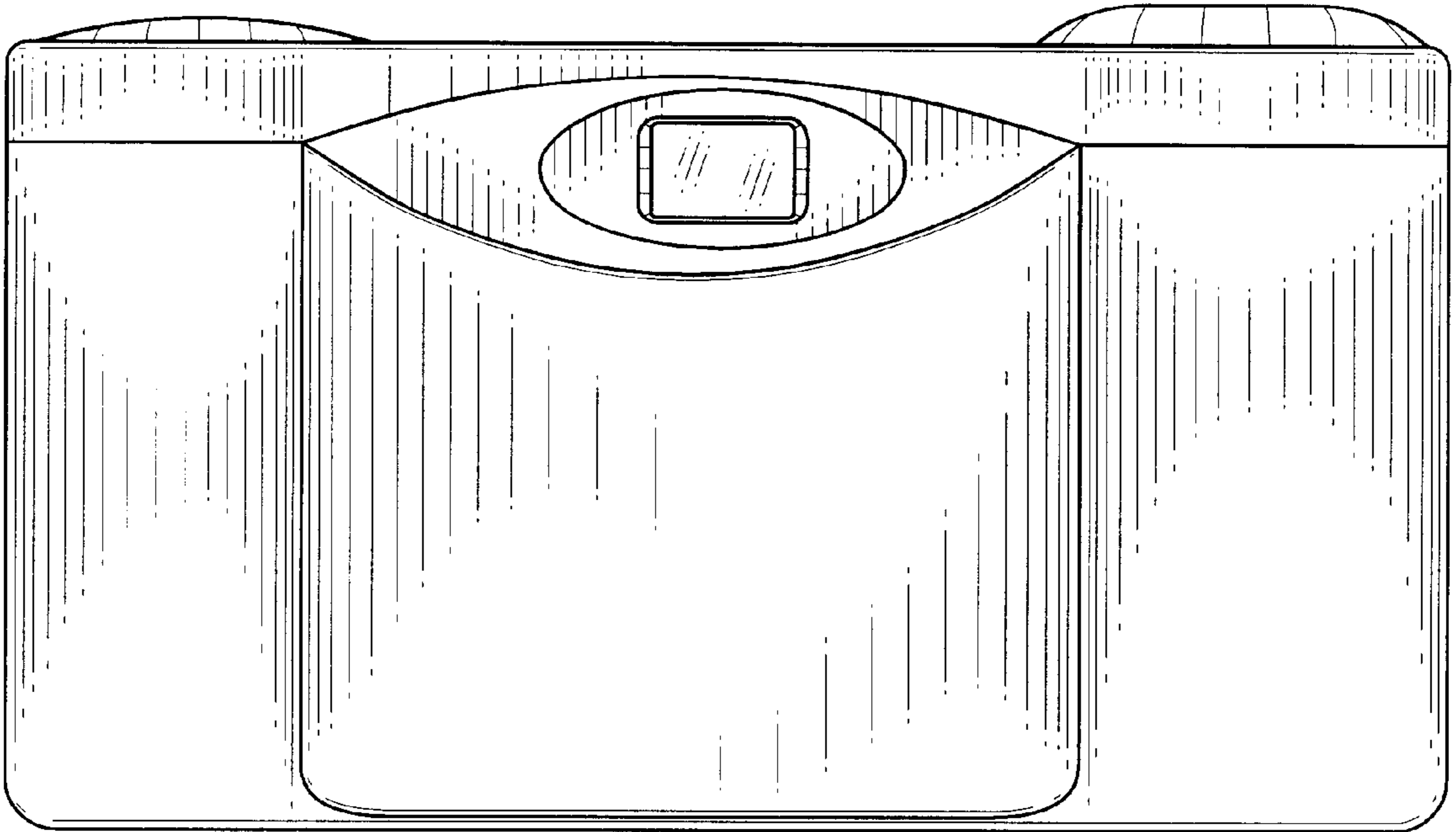


FIG. 4

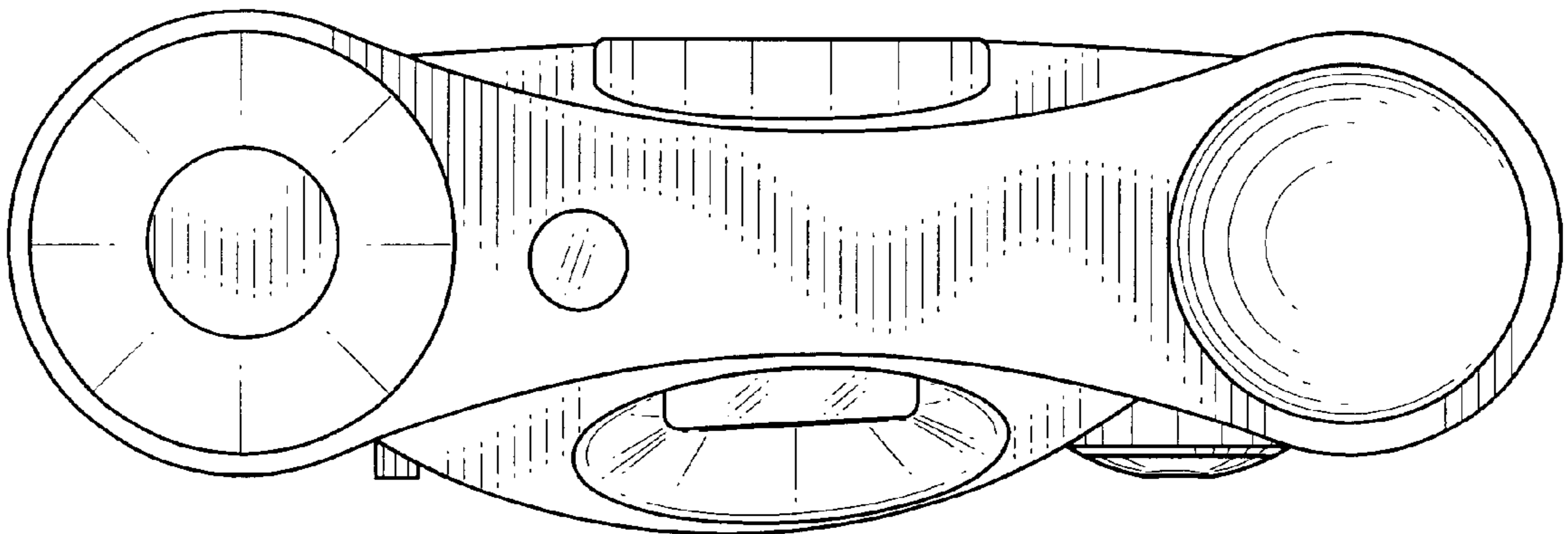


FIG. 5

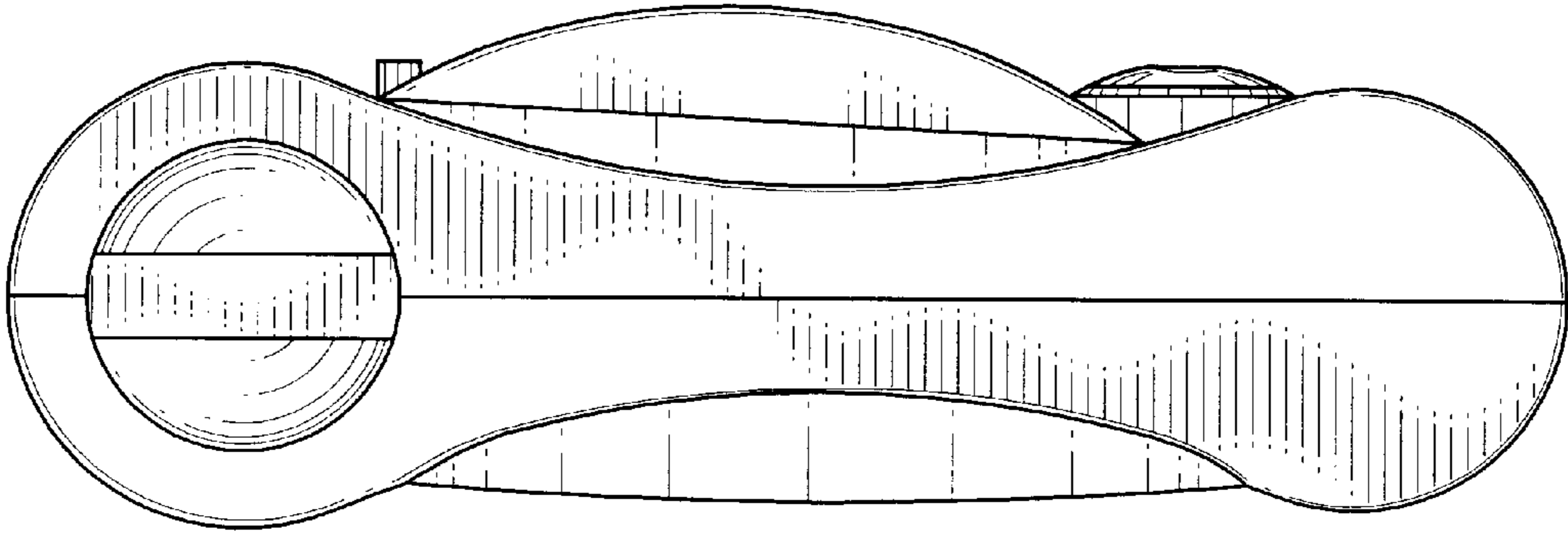


FIG. 6

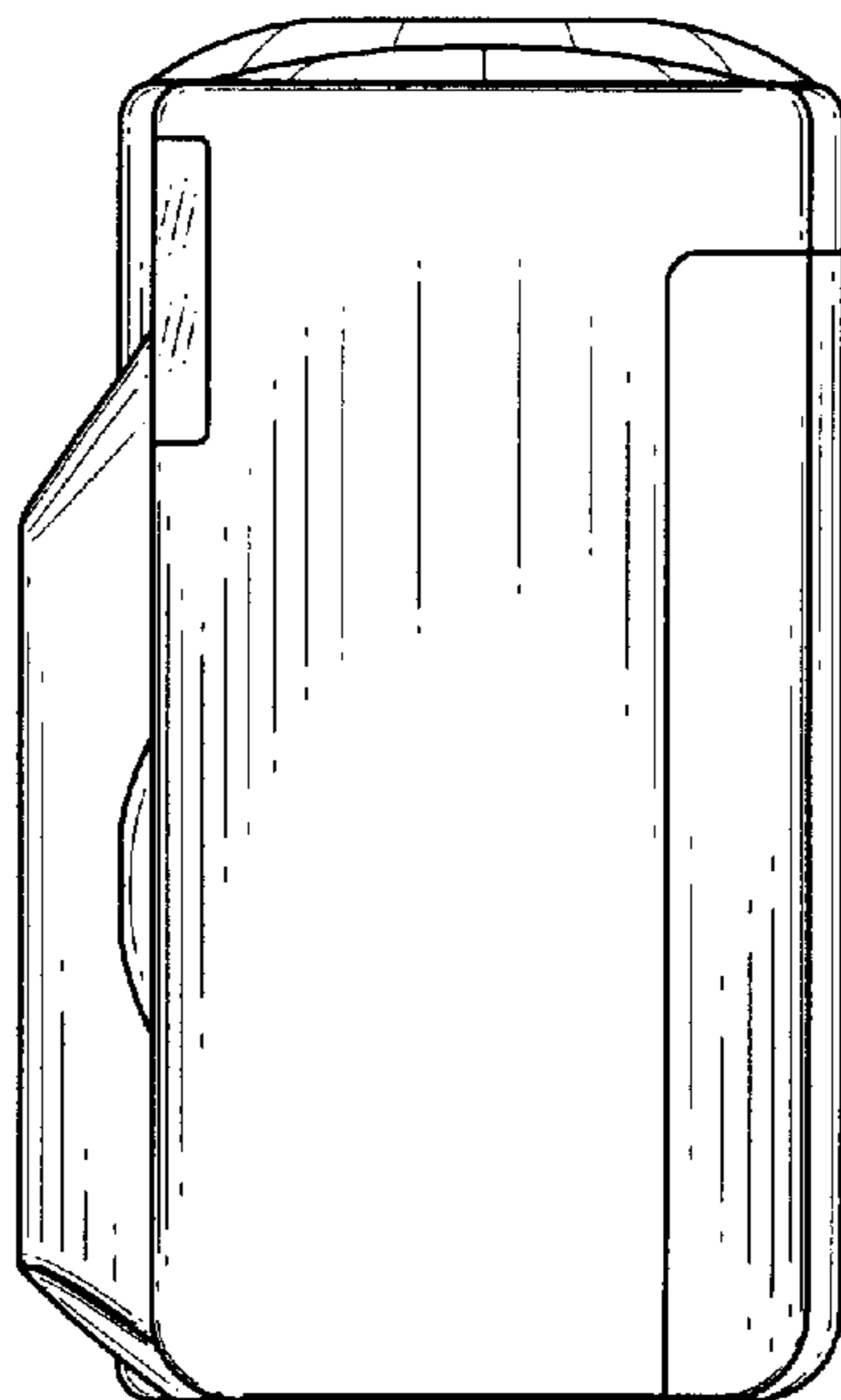


FIG. 7

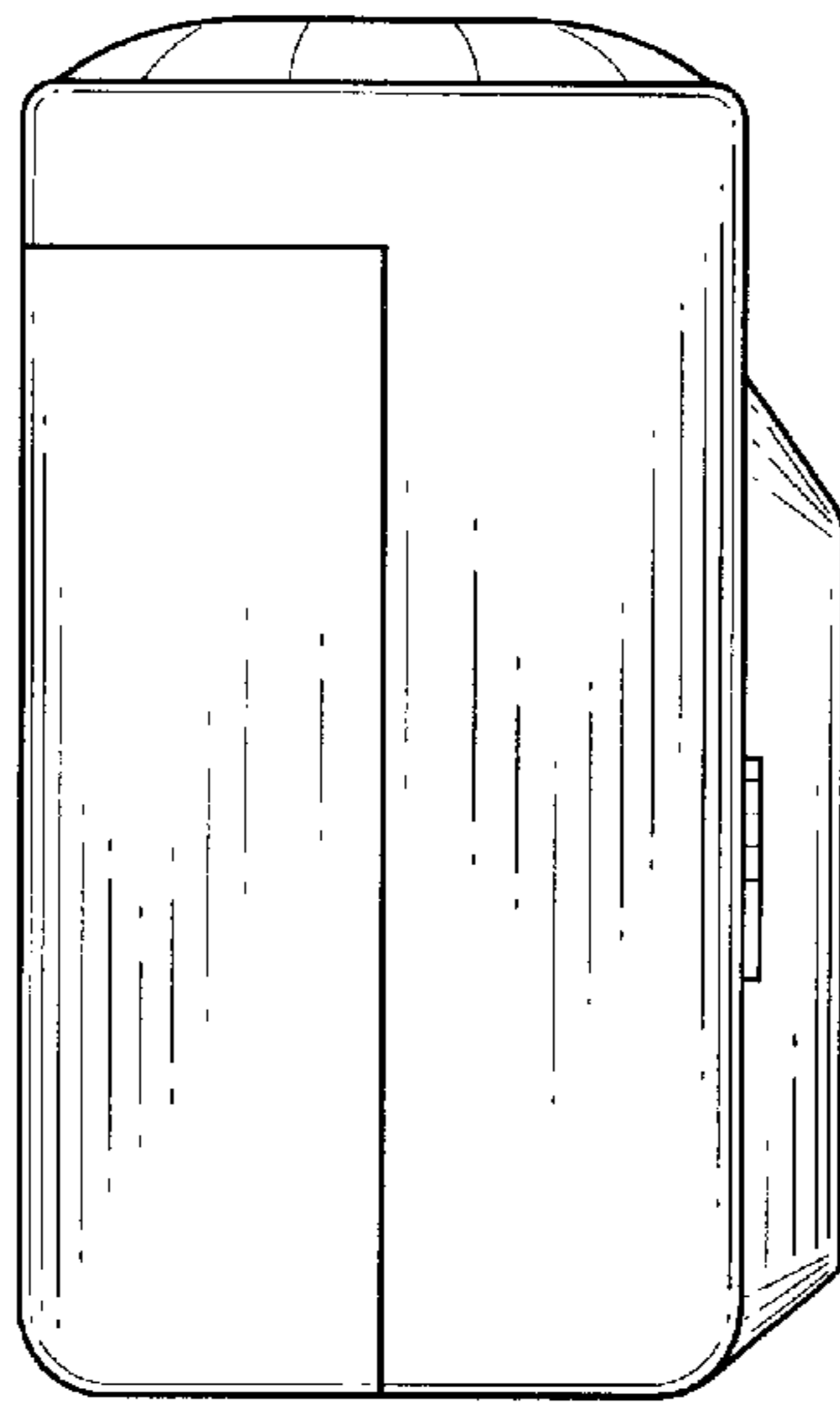


FIG. 8

