



US00D467954S

(12) **United States Design Patent**
Suzuki et al.

(10) **Patent No.:** **US D467,954 S**

(45) **Date of Patent:** **** Dec. 31, 2002**

(54) **CAMERA FOR A PORTABLE WIRELESS TELEPHONE**

(75) Inventors: **Takeshi Suzuki**, Tokyo (JP); **Michio Nagai**, Tokyo (JP); **Hirohisa Miyazaki**, Tokyo (JP)

(73) Assignee: **NEC Corporation**, Tokyo (JP)

(**) Term: **14 Years**

(21) Appl. No.: **29/148,754**

(22) Filed: **Sep. 27, 2001**

(30) **Foreign Application Priority Data**

Mar. 28, 2001 (JP) 2001-008857

(51) **LOC (7) Cl.** **16-01**

(52) **U.S. Cl.** **D16/208; D14/240; D16/200**

(58) **Field of Search** D14/130, 138, D14/144, 240, 433; D16/200, 202, 203-205, 208, 218; 348/14.01-14.09, 373-376; 396/429, 535, 540, 541

(56) **References Cited**

U.S. PATENT DOCUMENTS

D237,801 S	*	11/1975	Genaro et al.	D14/130
D269,433 S	*	6/1983	Stein et al.	D14/240
D331,572 S	*	12/1992	Roe	D14/433
5,550,754 A	*	8/1996	McNelley et al.	348/14.1

D396,869 S	*	8/1998	Yamakawa et al.	D16/202
D401,257 S	*	11/1998	Iino	D16/202
D423,491 S	*	4/2000	Harris et al.	D14/130
D425,881 S	*	5/2000	Borza	D14/384
D425,887 S	*	5/2000	Edwards et al.	D14/138
D448,744 S	*	10/2001	Yu et al.	D14/138

OTHER PUBLICATIONS

Harris Corporation Catalog, 1990 (Camera in the Anamix Video Teleconferencing System).*

* cited by examiner

Primary Examiner—Adir Aronovich

(74) *Attorney, Agent, or Firm*—Sughrue Mion, PLLC

(57) **CLAIM**

The ornamental design for a camera for a portable wireless telephone, as shown.

DESCRIPTION

FIG. 1 is a perspective view of the top, front and right side of a camera for a portable wireless telephone showing our new design;

FIG. 2 is a front elevational view thereof;

FIG. 3 is a rear elevational view thereof;

FIG. 4 is a left side elevational view thereof;

FIG. 5 is a right side elevational view thereof;

FIG. 6 is a top plan view; and,

FIG. 7 is a bottom plan view thereof.

1 Claim, 3 Drawing Sheets

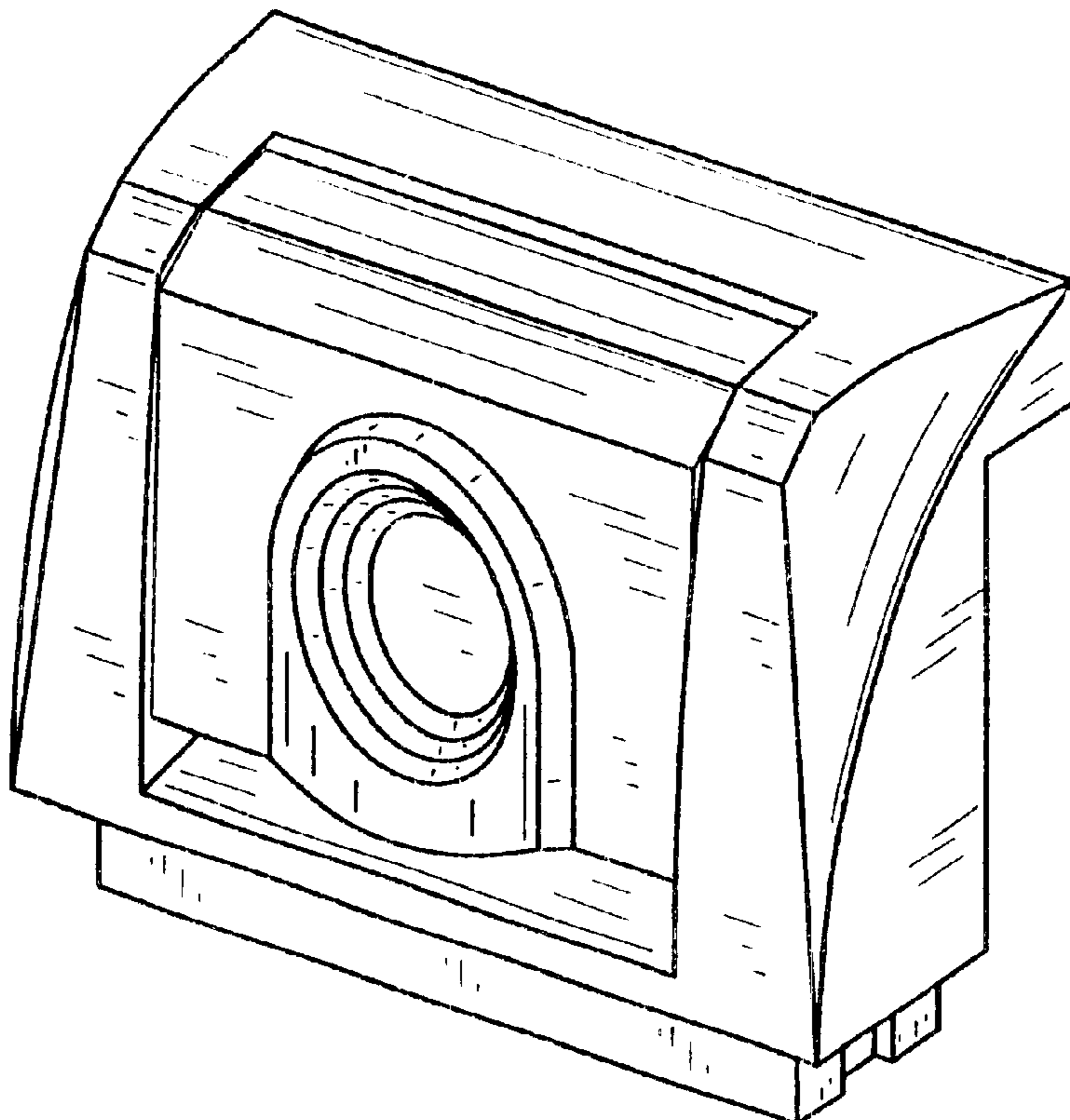


FIG. 1

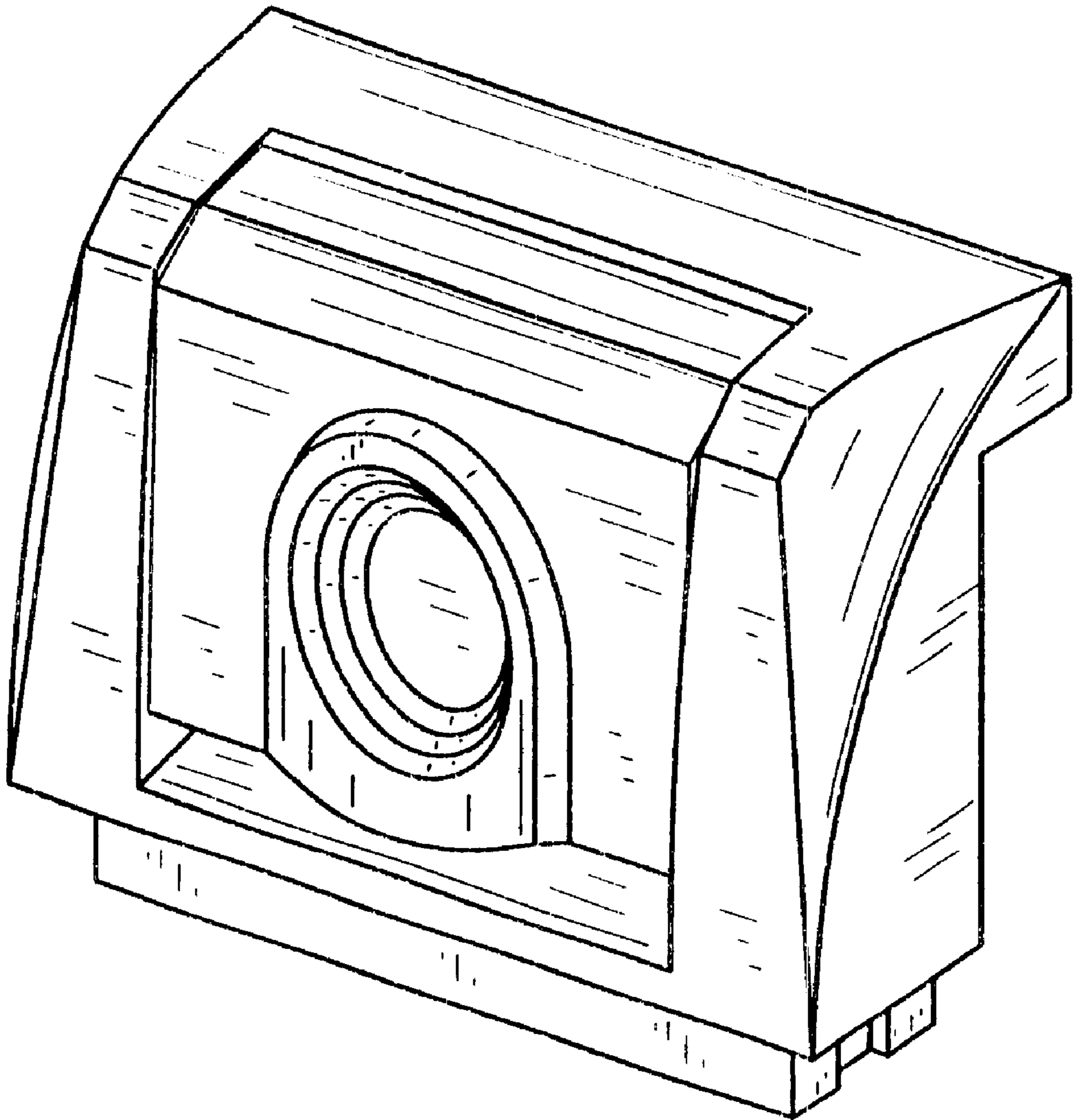


FIG. 2

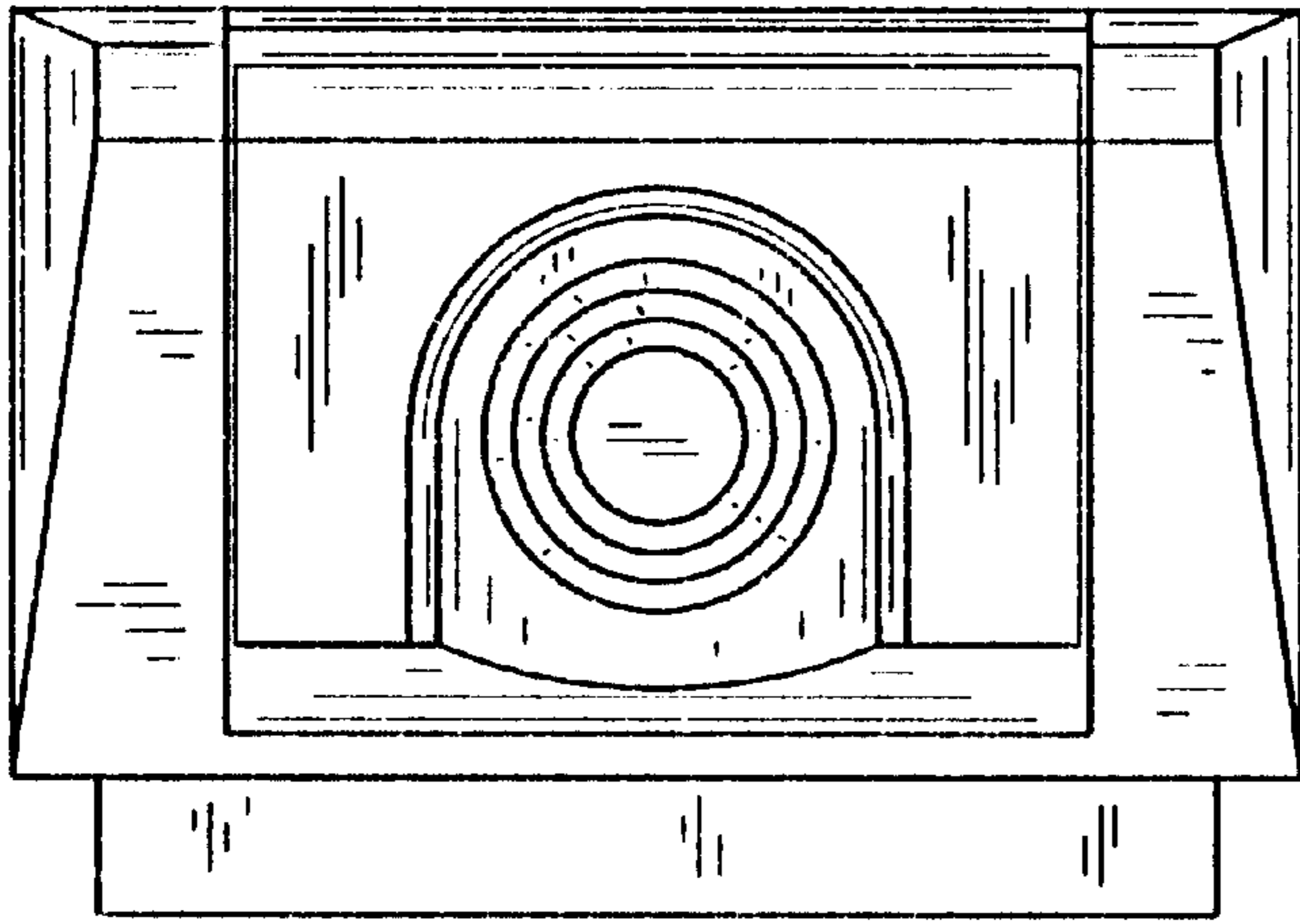


FIG. 4

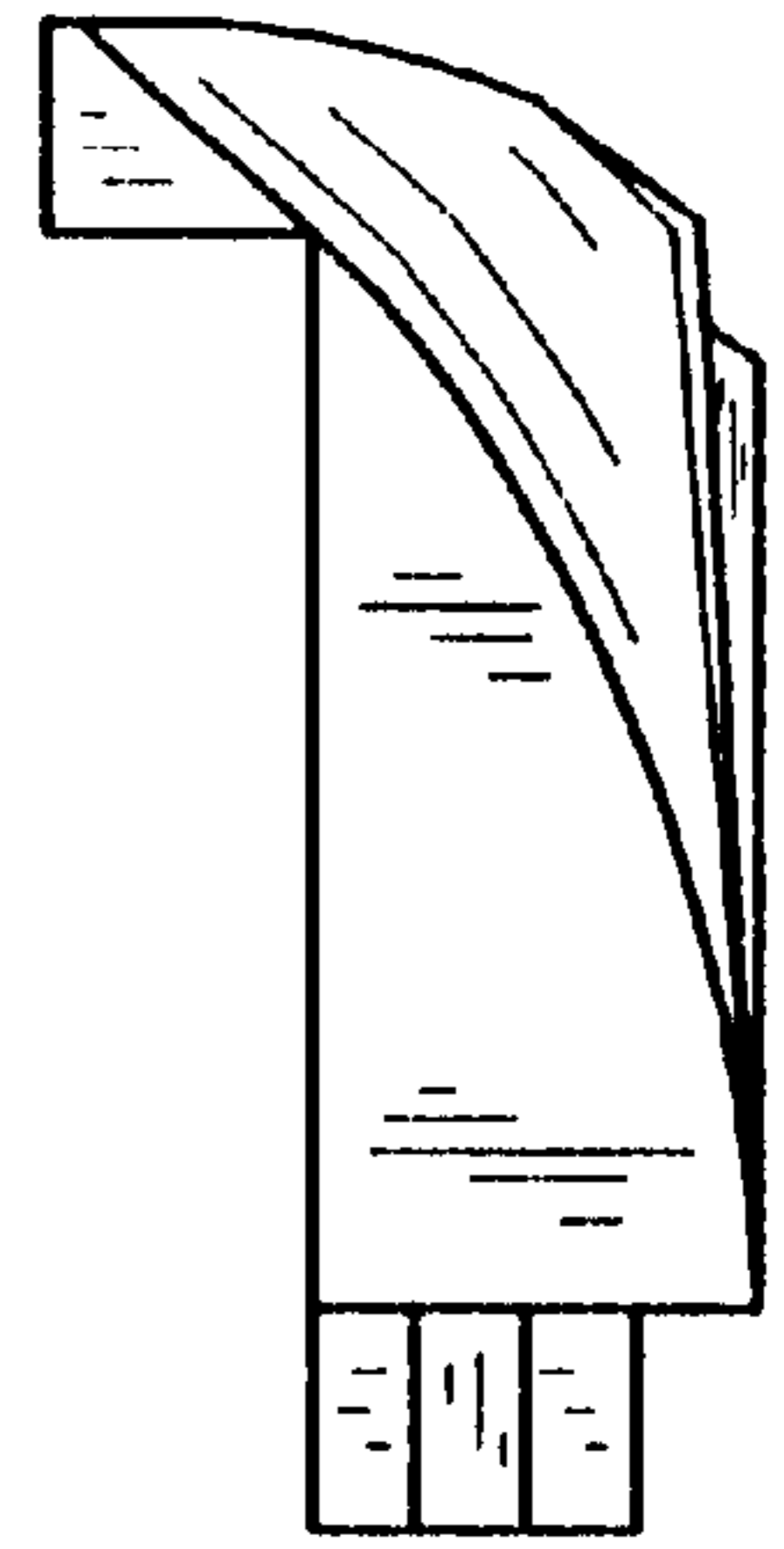


FIG. 3

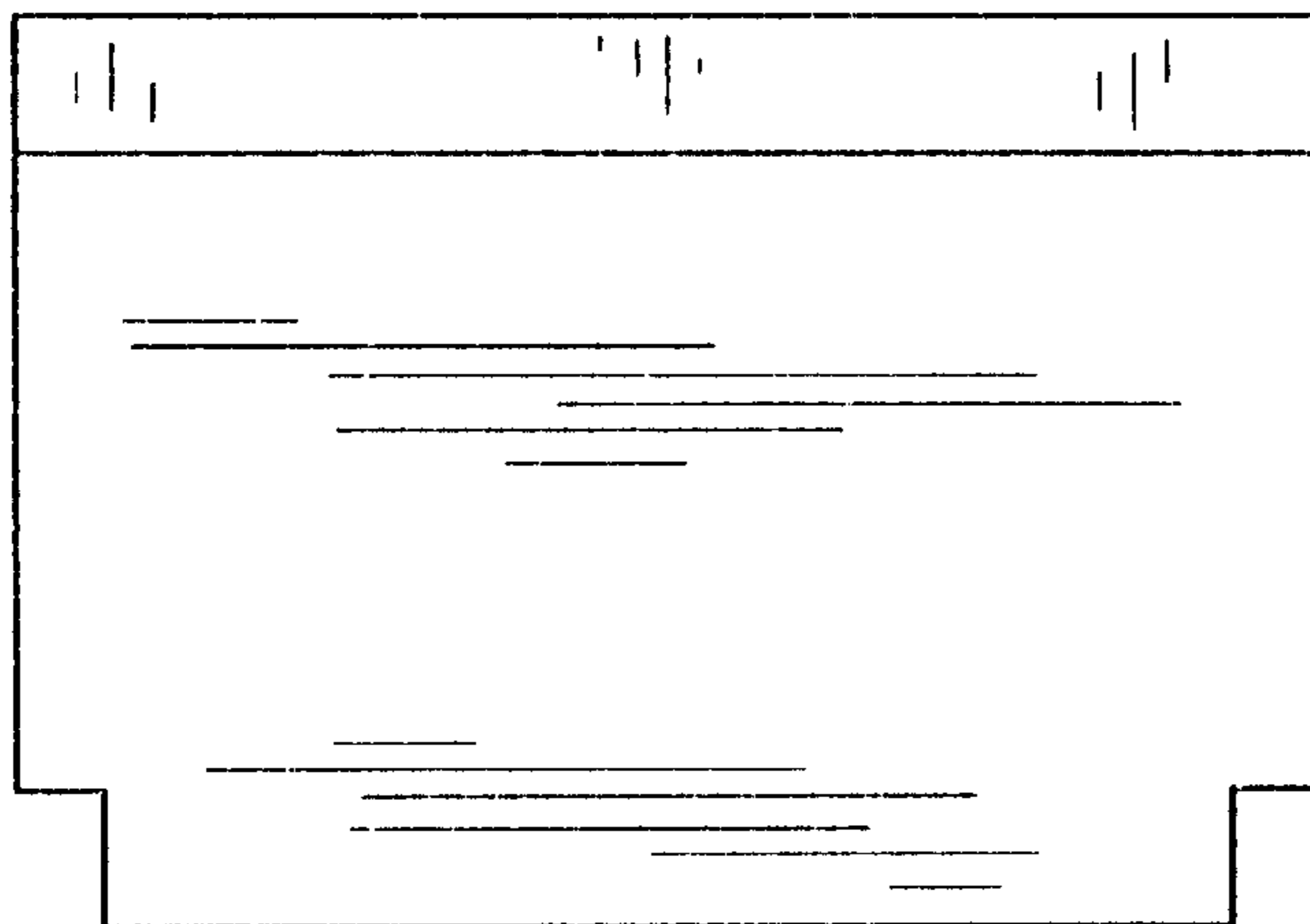


FIG. 5

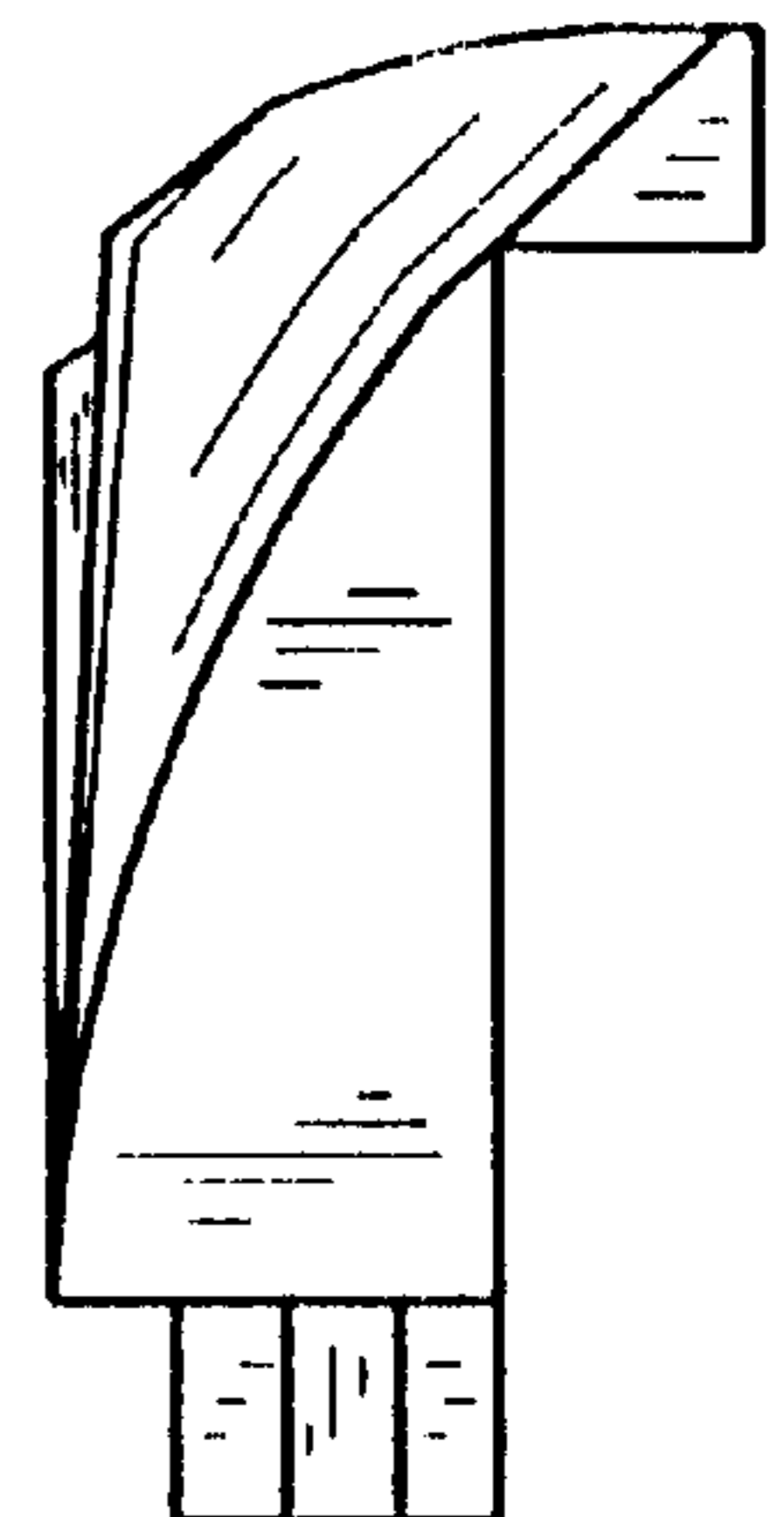


FIG. 6

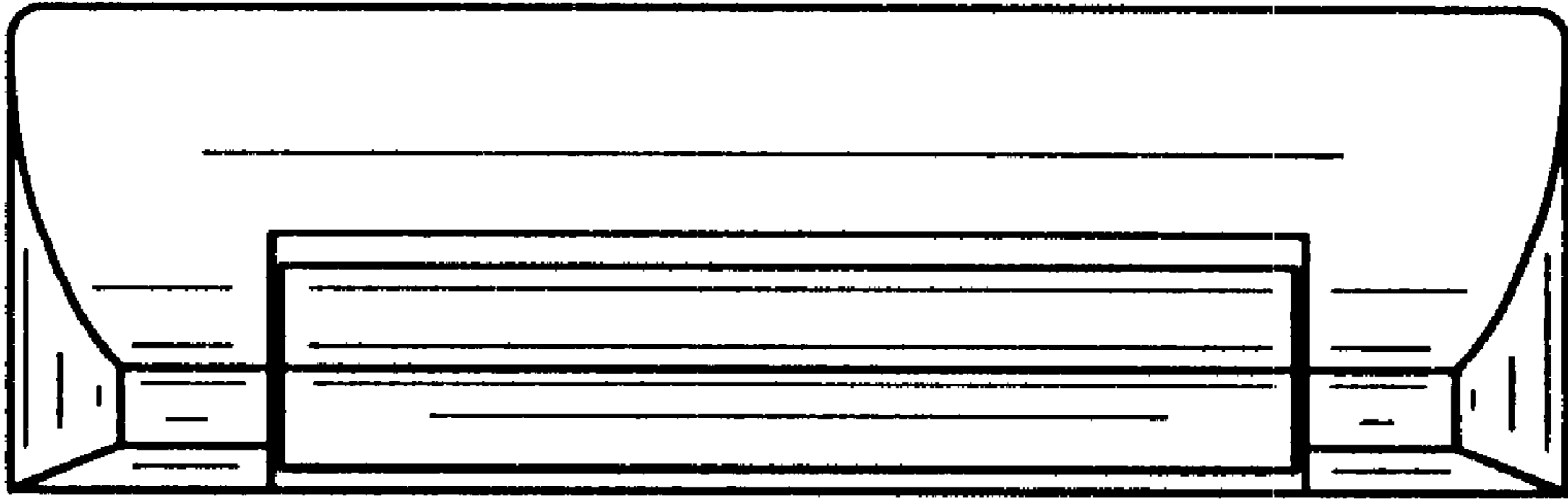


FIG. 7

