



US00D467952S

(12) **United States Design Patent**
Nakamura

(10) **Patent No.:** **US D467,952 S**

(45) **Date of Patent:** **** Dec. 31, 2002**

(54) **VIDEO CAMERA**

(75) **Inventor:** **Toshihiro Nakamura, Tokyo (JP)**

(73) **Assignee:** **Sony Corporation, Tokyo (JP)**

(**) **Term:** **14 Years**

(21) **Appl. No.:** **29/156,568**

(22) **Filed:** **Mar. 5, 2002**

(51) **LOC (7) Cl.** **16-01**

(52) **U.S. Cl.** **D16/202**

(58) **Field of Search** **D16/200-205,**
D16/218, 219; 348/14.01-14.09, 14.1, 143,
373-376; 358/909.1; 396/427, 535-541

(56) **References Cited**

U.S. PATENT DOCUMENTS

D307,029 S	*	4/1990	Tominaga et al.	D16/203
D312,649 S	*	12/1990	Sakuta	D16/203
D316,421 S	*	4/1991	Shinano et al.	D16/237
D363,502 S	*	10/1995	MacMurtrie et al.	D16/202
D363,730 S	*	10/1995	Flohr et al.	D16/202
D381,997 S	*	8/1997	Morooka	D16/202
D391,590 S		3/1998	Sumita	D16/202
5,900,907 A	*	5/1999	Malloy et al.	348/15

D410,479 S 6/1999 Sawai D16/202

5,966,176 A * 10/1999 Chow et al. 348/373

D446,535 S * 8/2001 Chang D16/203

* cited by examiner

Primary Examiner—Adir Aronovich

(74) *Attorney, Agent, or Firm*—Rader, Fishman & Grauer PLLC

(57) **CLAIM**

The ornamental design for a video camera, as shown and described.

DESCRIPTION

FIG. 1 is a perspective view of a video camera showing my new design;

FIG. 2 is a front elevational view thereof;

FIG. 3 is a rear elevational view thereof;

FIG. 4 is a left side elevational view thereof;

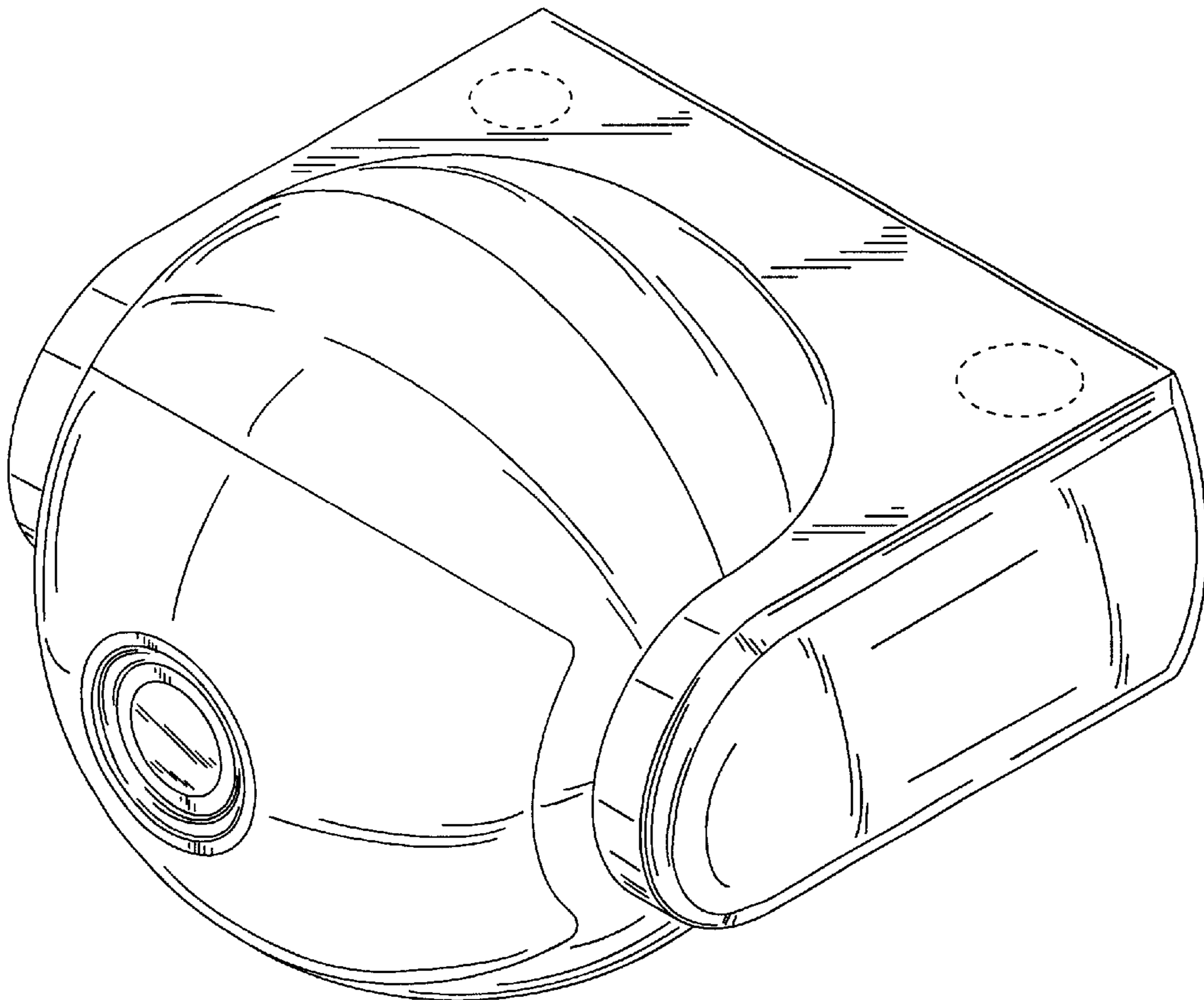
FIG. 5 is a right side elevational view thereof;

FIG. 6 is a top plan view thereof; and,

FIG. 7 is a bottom plan view thereof.

Portions in broken lines are for illustrative purpose only and form no part of claimed design.

1 Claim, 4 Drawing Sheets



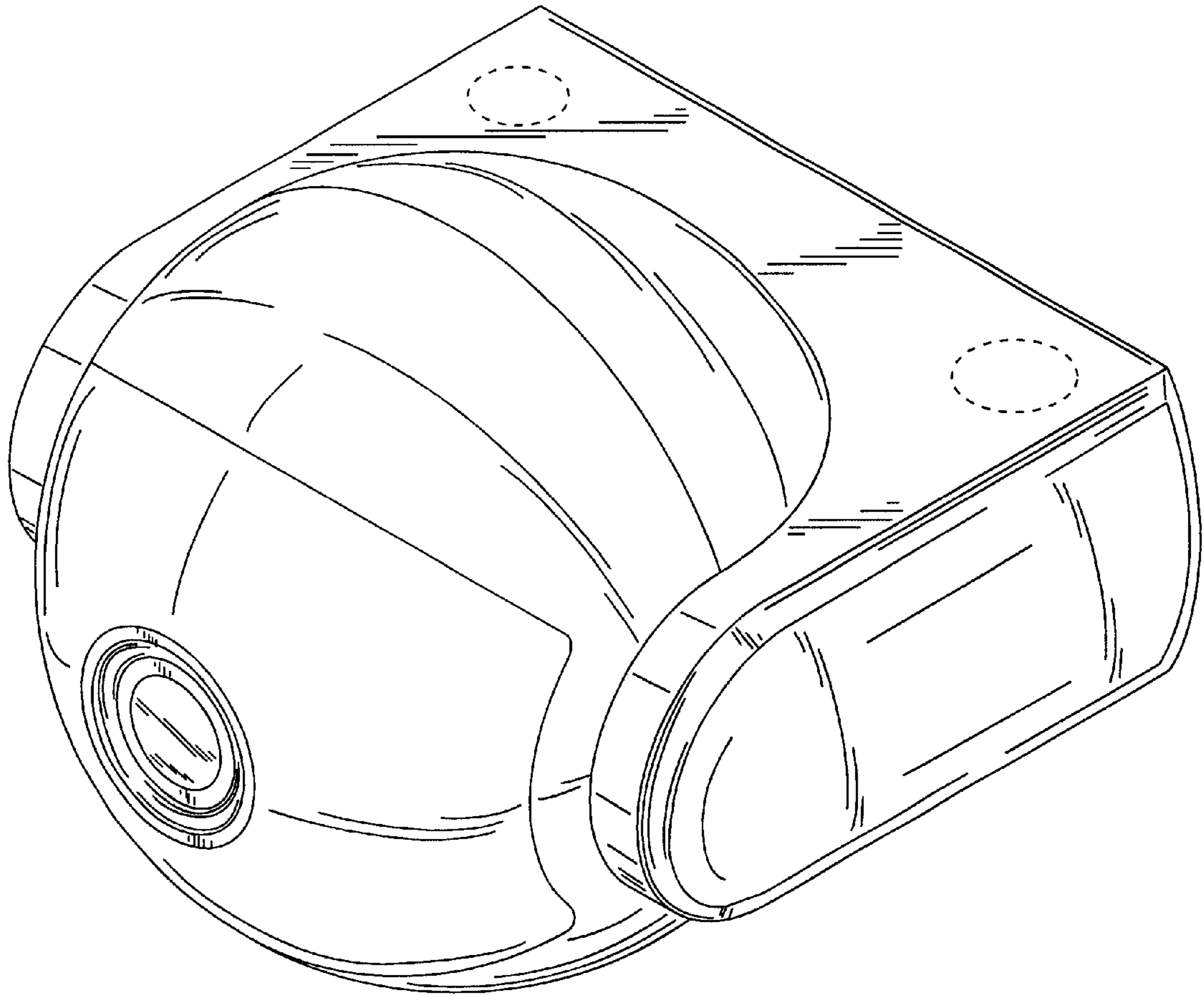


Fig. 1

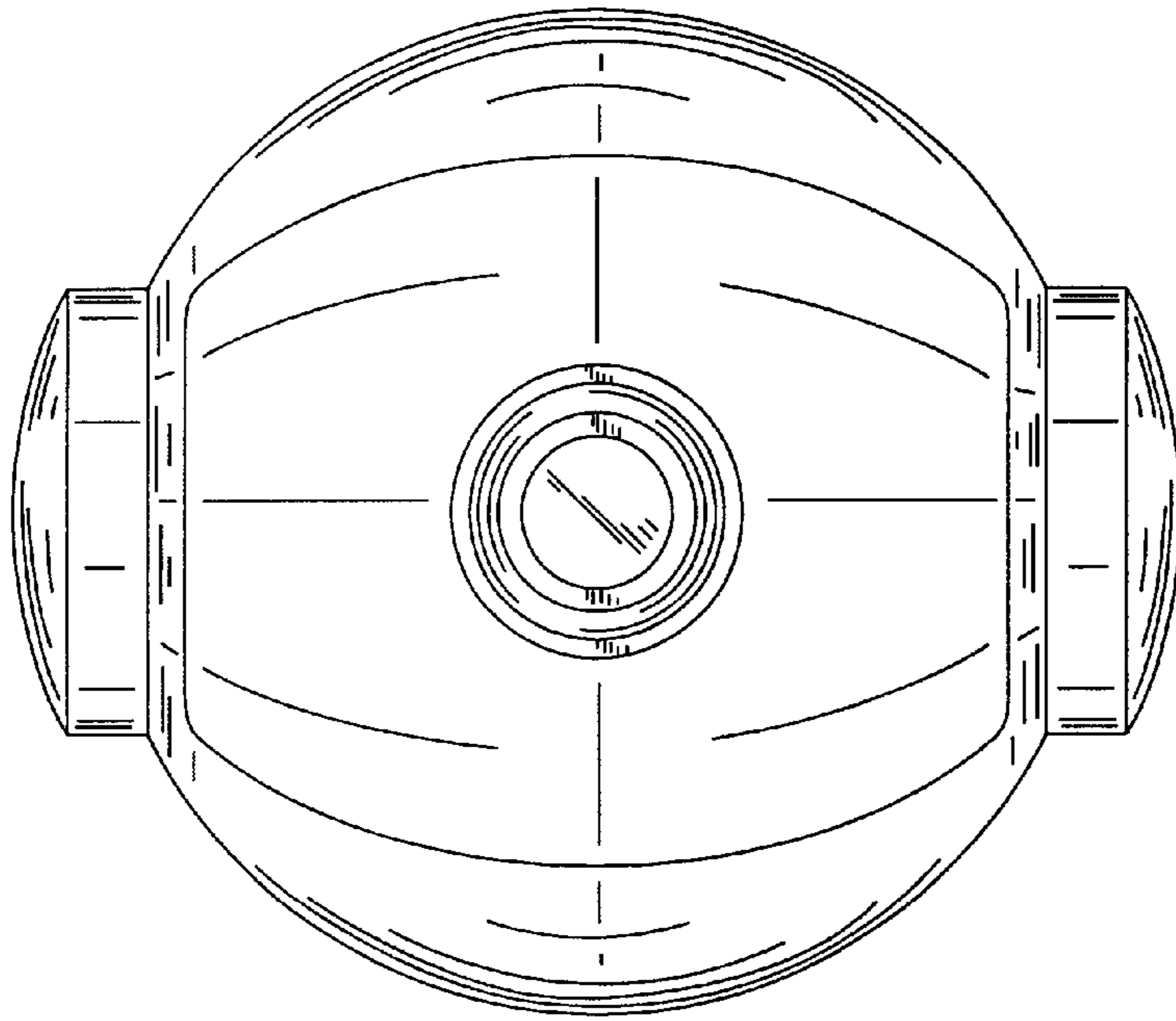


Fig. 2

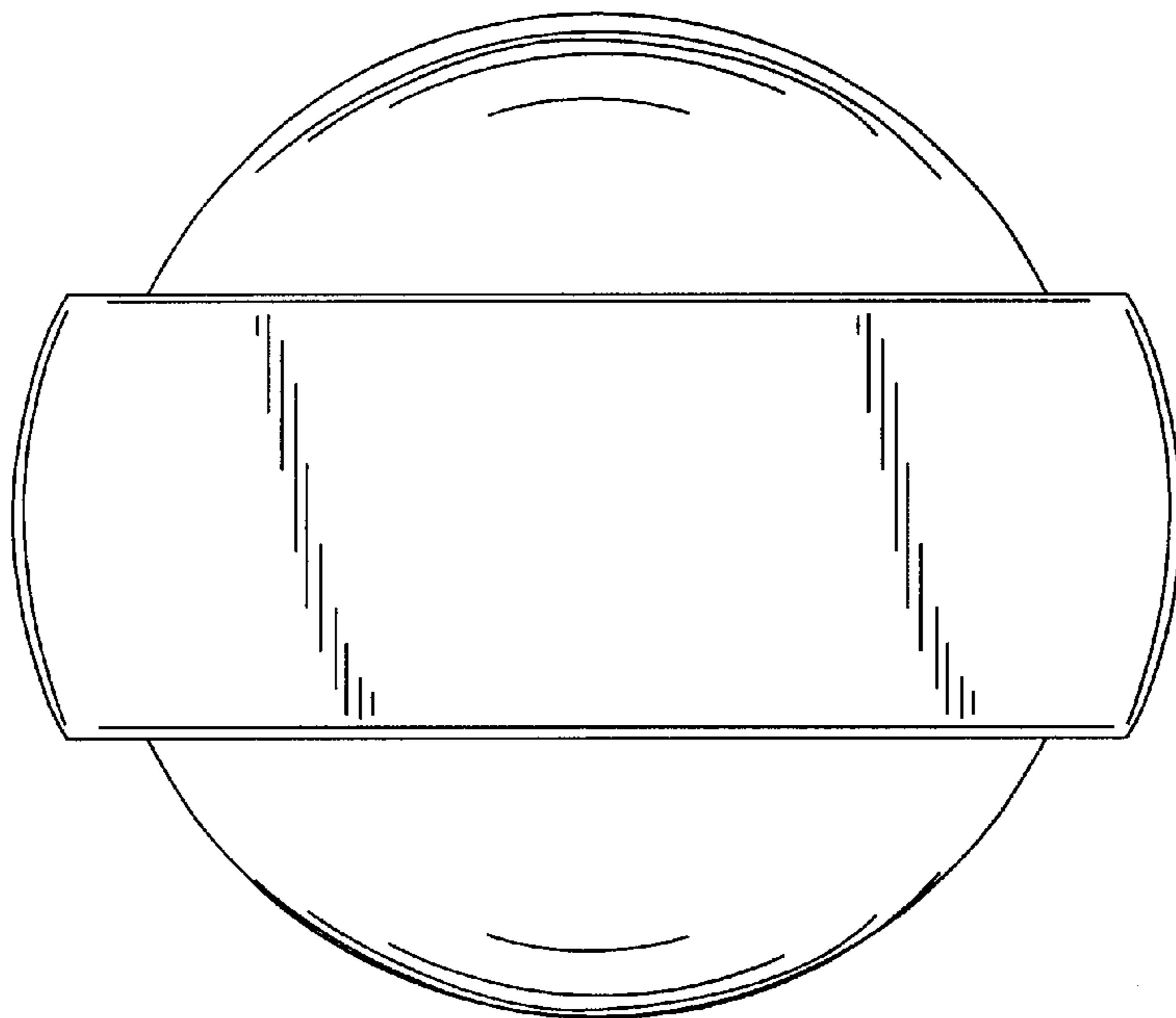


Fig. 3

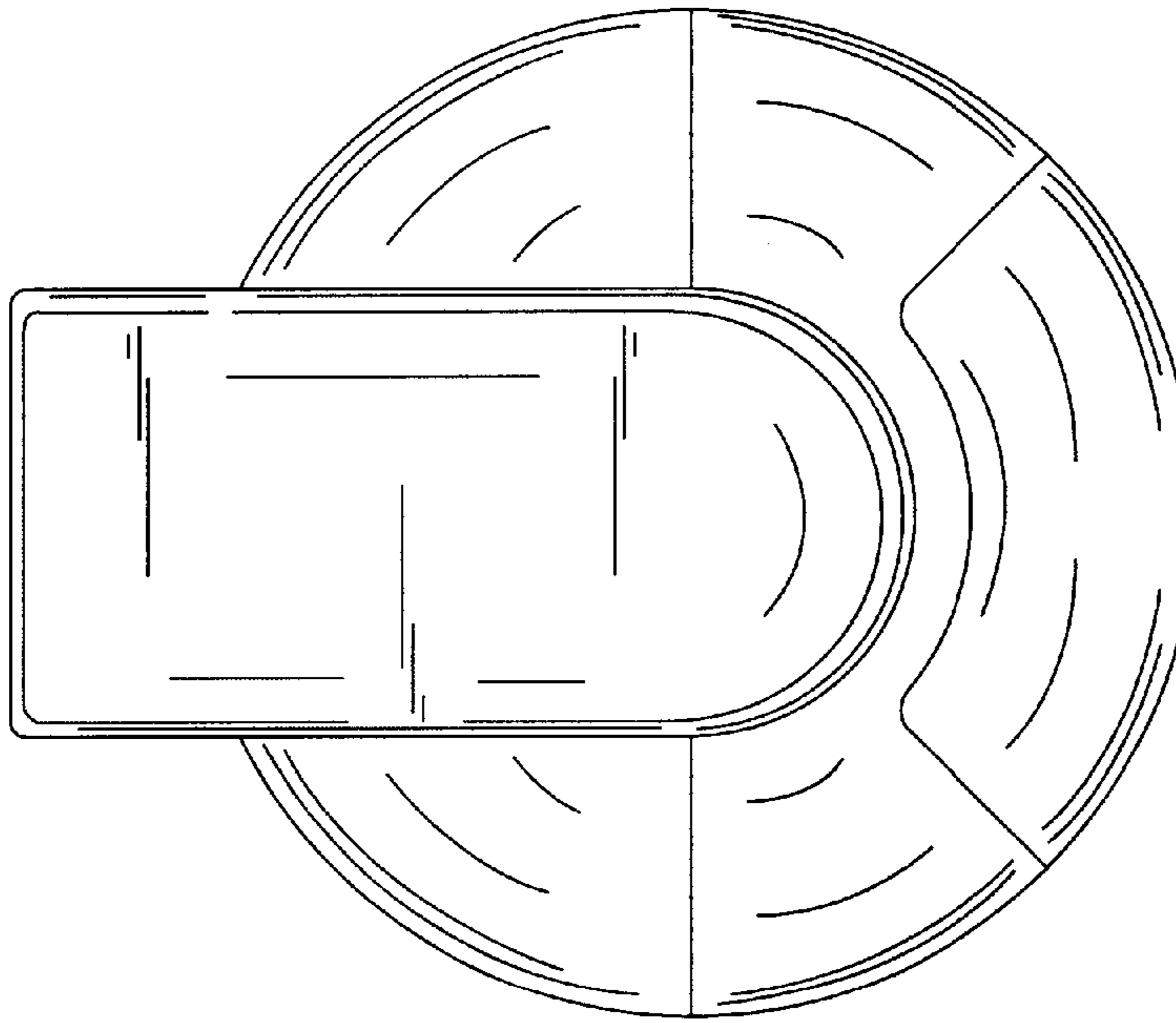


Fig. 4

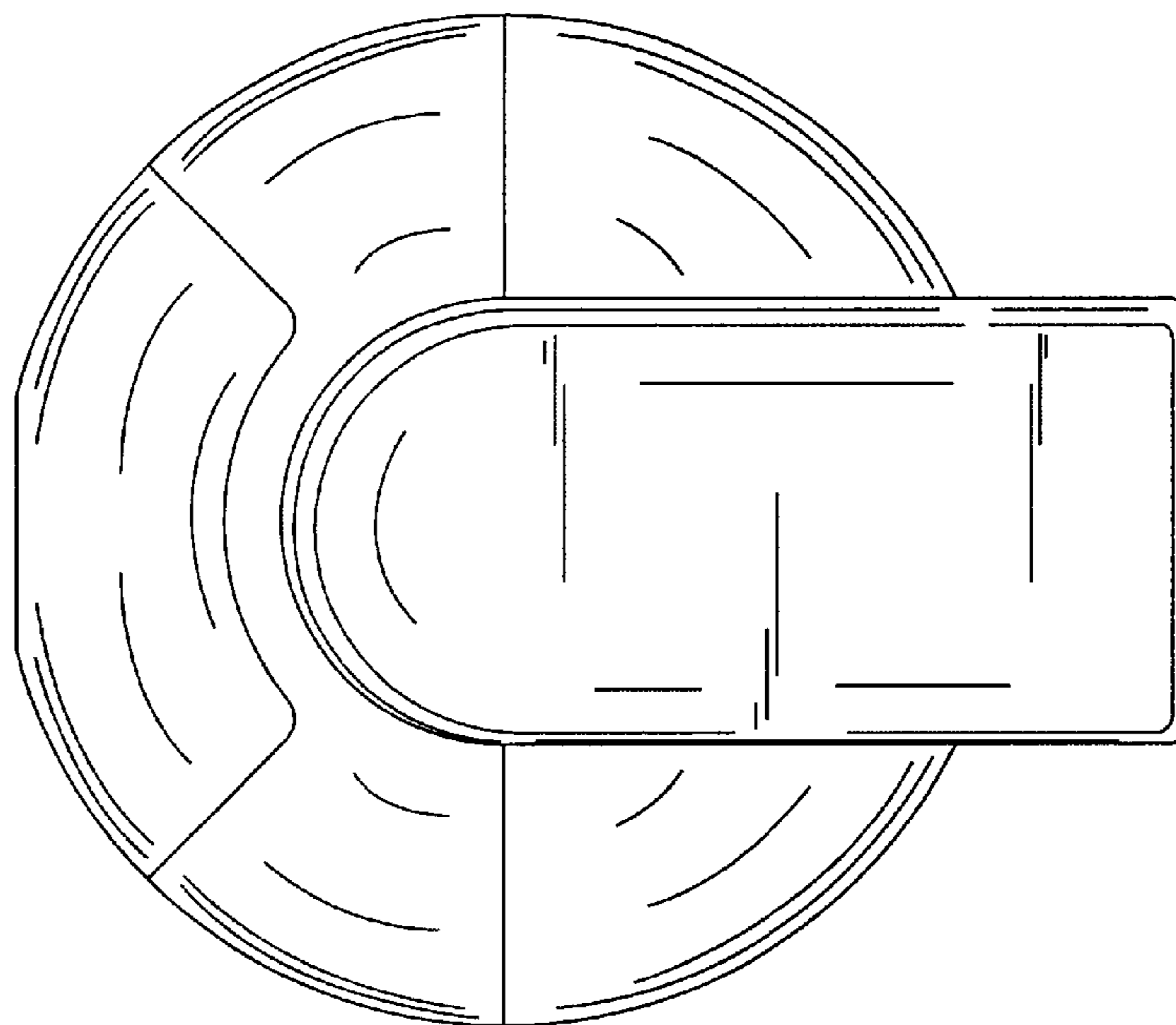


Fig. 5

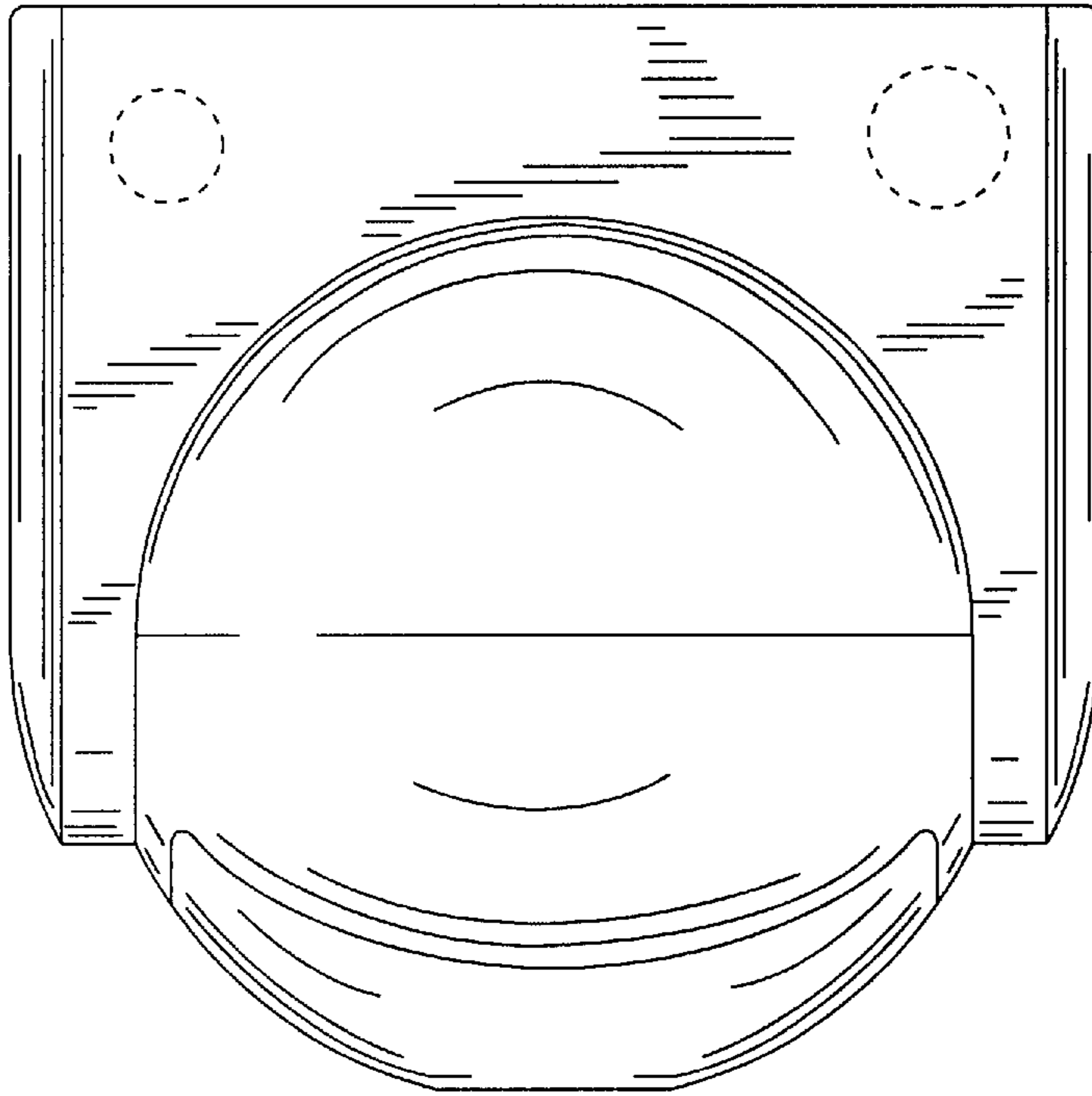


Fig. 6

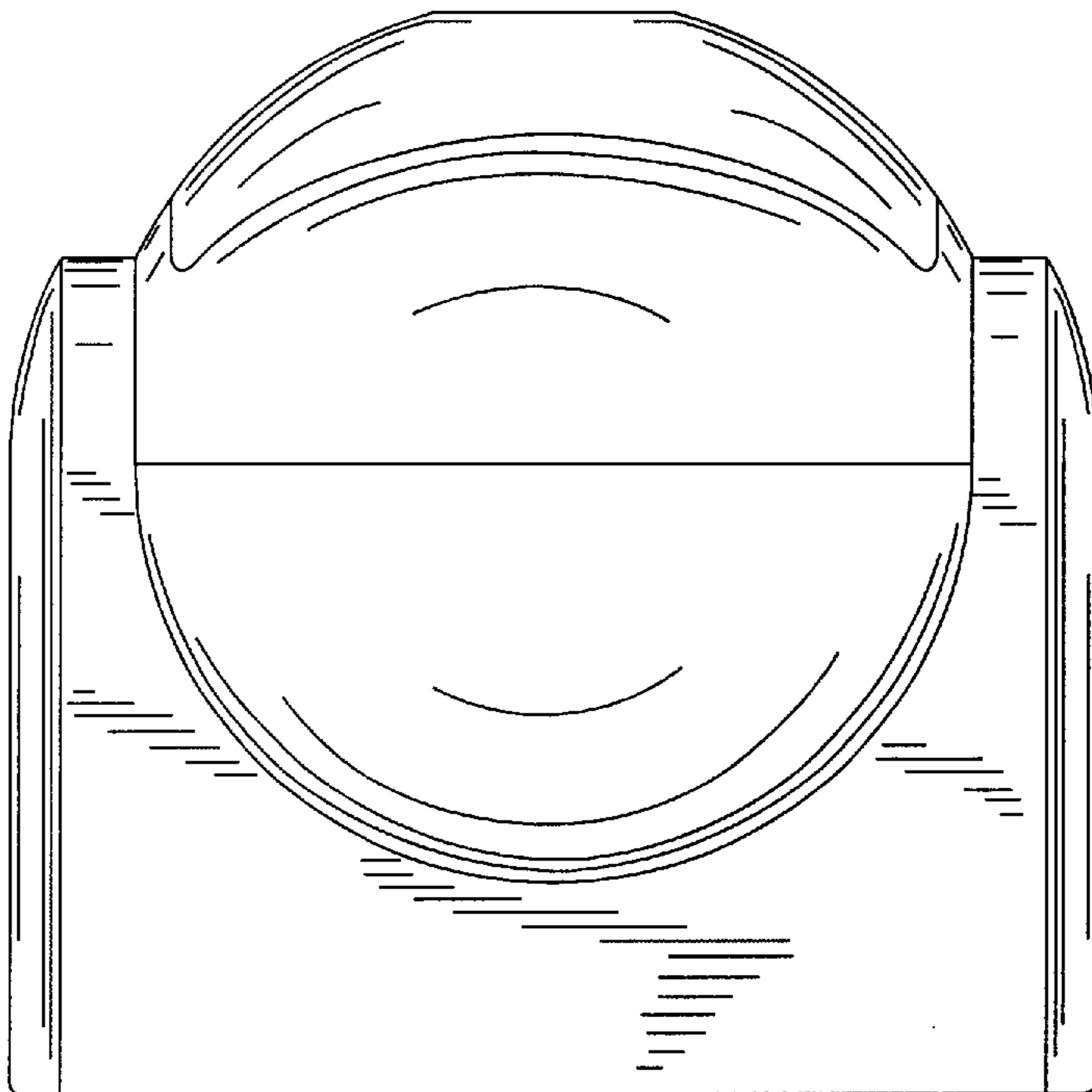


Fig. 7