



US00D467951S

(12) **United States Design Patent**
Tanaka

(10) **Patent No.:** **US D467,951 S**

(45) **Date of Patent:** **** Dec. 31, 2002**

(54) **ELECTRIC STILL CAMERA**

(75) Inventor: **Kunihiko Tanaka**, Tokyo (JP)

(73) Assignee: **Fuji Photo Film Co., Ltd.**, Kanagawa (JP)

(**) Term: **14 Years**

(21) Appl. No.: **29/155,877**

(22) Filed: **Feb. 21, 2002**

(30) **Foreign Application Priority Data**

Sep. 10, 2001 (JP) 2001-026571

(51) **LOC (7) Cl.** **16-01**

(52) **U.S. Cl.** **D16/202; D16/206**

(58) **Field of Search** D16/200-206,
D16/208, 216, 217, 218; 348/373-374;
358/906, 909.1; 396/535-541

(56) **References Cited**

U.S. PATENT DOCUMENTS

- 4,945,372 A * 7/1990 Higuchi et al. 396/61
- D387,079 S 12/1997 Horikiri D16/217
- D408,040 S * 4/1999 Miyahara D16/202
- D415,513 S * 10/1999 Fujii D16/217
- D425,095 S * 5/2000 Watarai et al. D16/217
- D441,778 S * 5/2001 Funakoshi D16/202

- D444,163 S 6/2001 Yoshida D16/202
- D446,532 S * 8/2001 Takahashi D16/202
- D447,500 S * 9/2001 Funato D16/202
- 6,393,225 B1 * 5/2002 Yamada 396/535
- 2002/0012061 A1 * 1/2002 Kato 348/374

* cited by examiner

Primary Examiner—Adir Aronovich

(74) *Attorney, Agent, or Firm*—Young & Thompson

(57) **CLAIM**

The ornamental design for an electric still camera, as shown and described.

DESCRIPTION

FIG. 1 is a top, front and side perspective view of an electric still camera showing my new design;
 FIG. 2 is a front elevational view thereof;
 FIG. 3 is a rear elevational view thereof;
 FIG. 4 is a top plan view thereof;
 FIG. 5 is a bottom plan view thereof;
 FIG. 6 is a side elevational view thereof from the left of FIG. 2;
 FIG. 7 is a side elevational view thereof from the right of FIG. 2; and,
 FIG. 8 is a view similar to FIG. 7 but showing the parts in a different position.

1 Claim, 4 Drawing Sheets

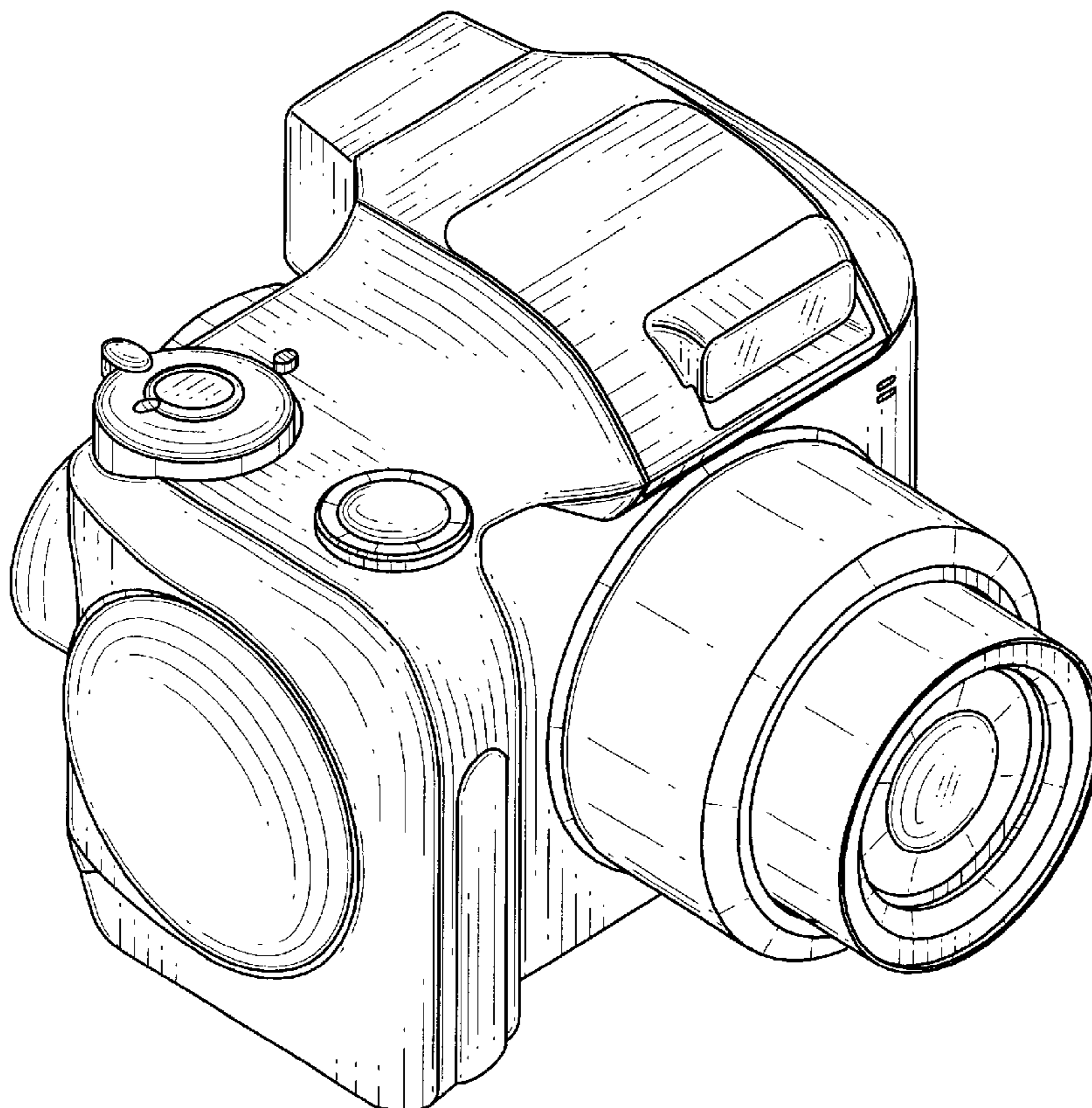


FIG. 1

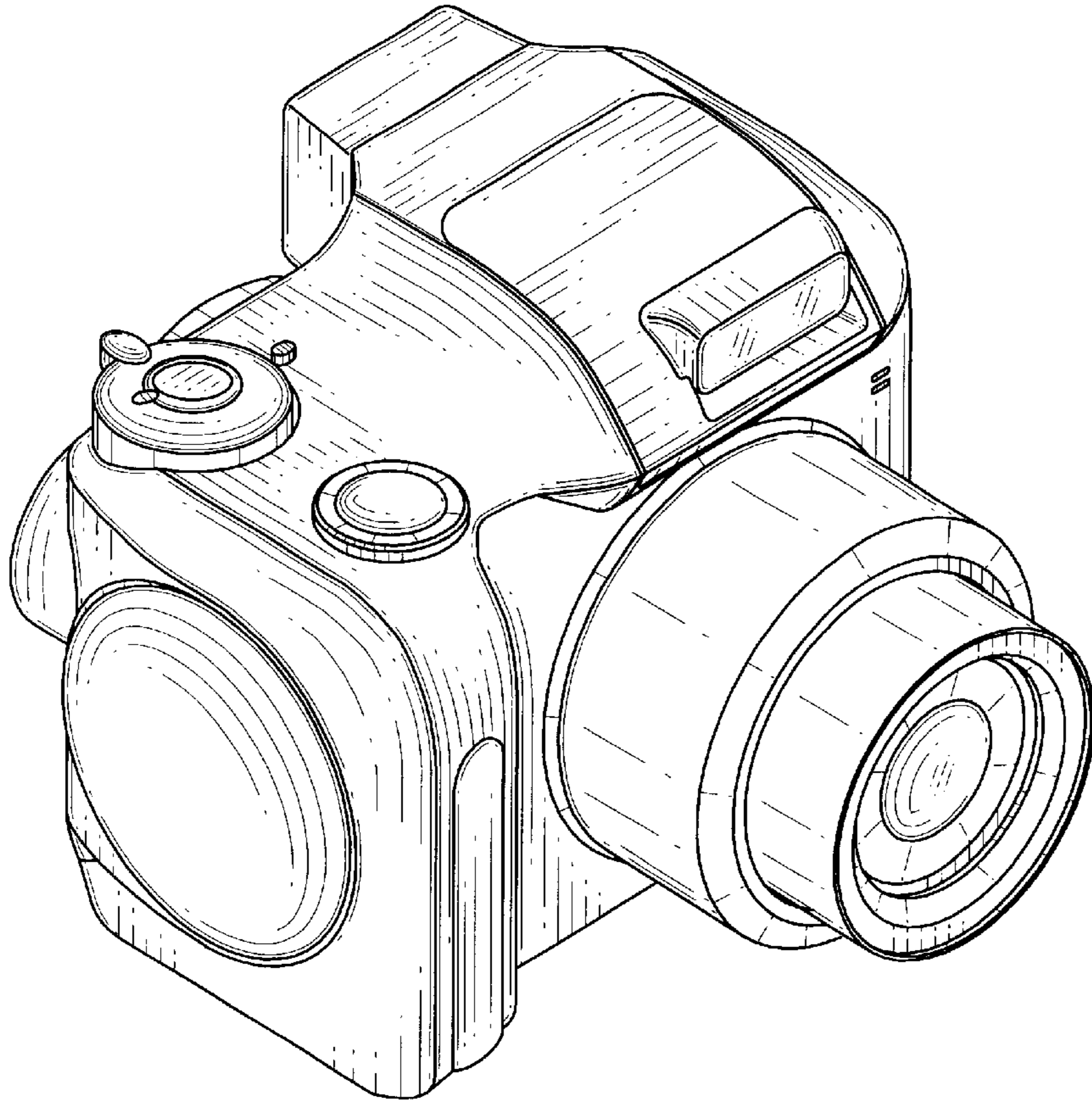


FIG. 2

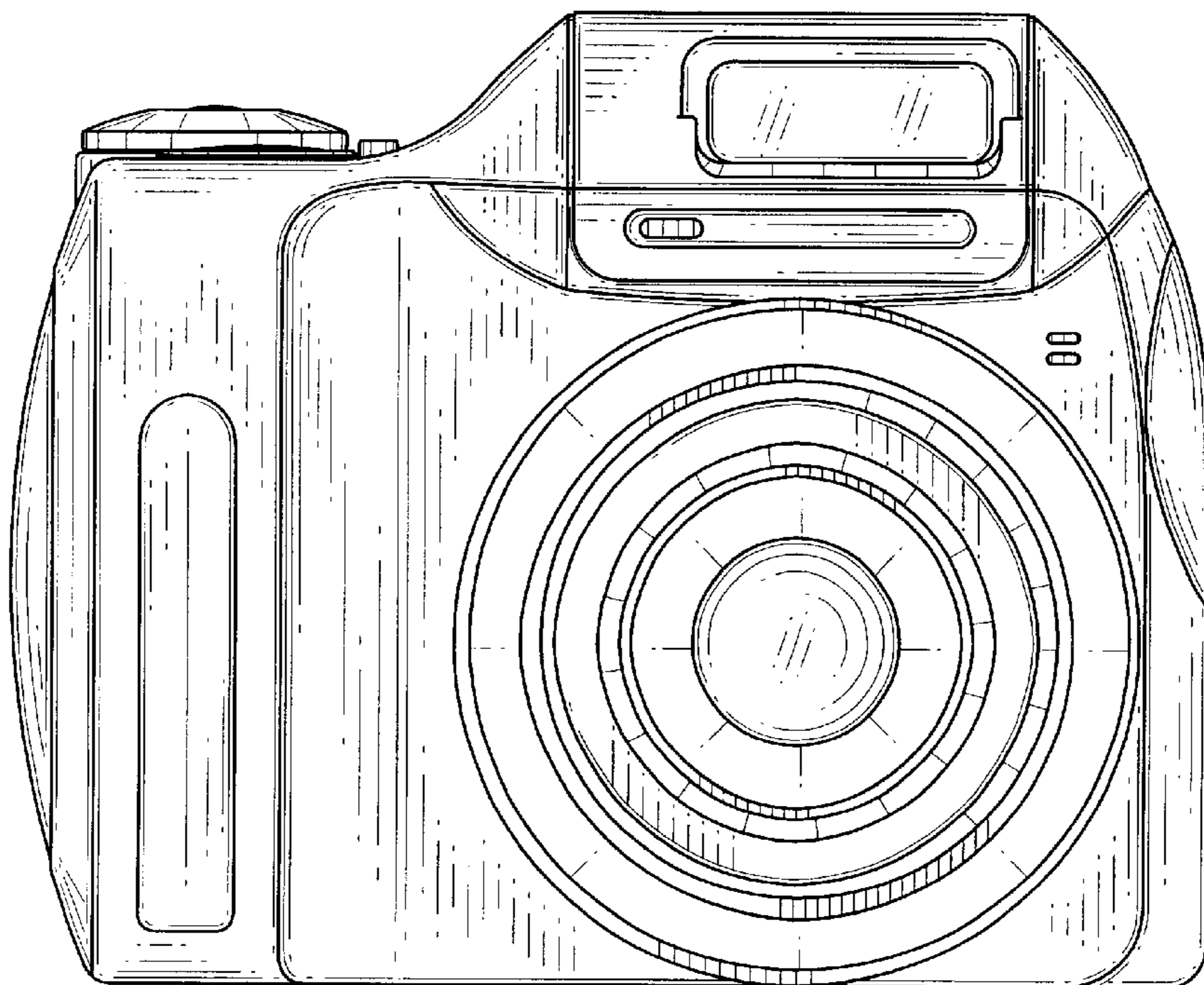


FIG. 3

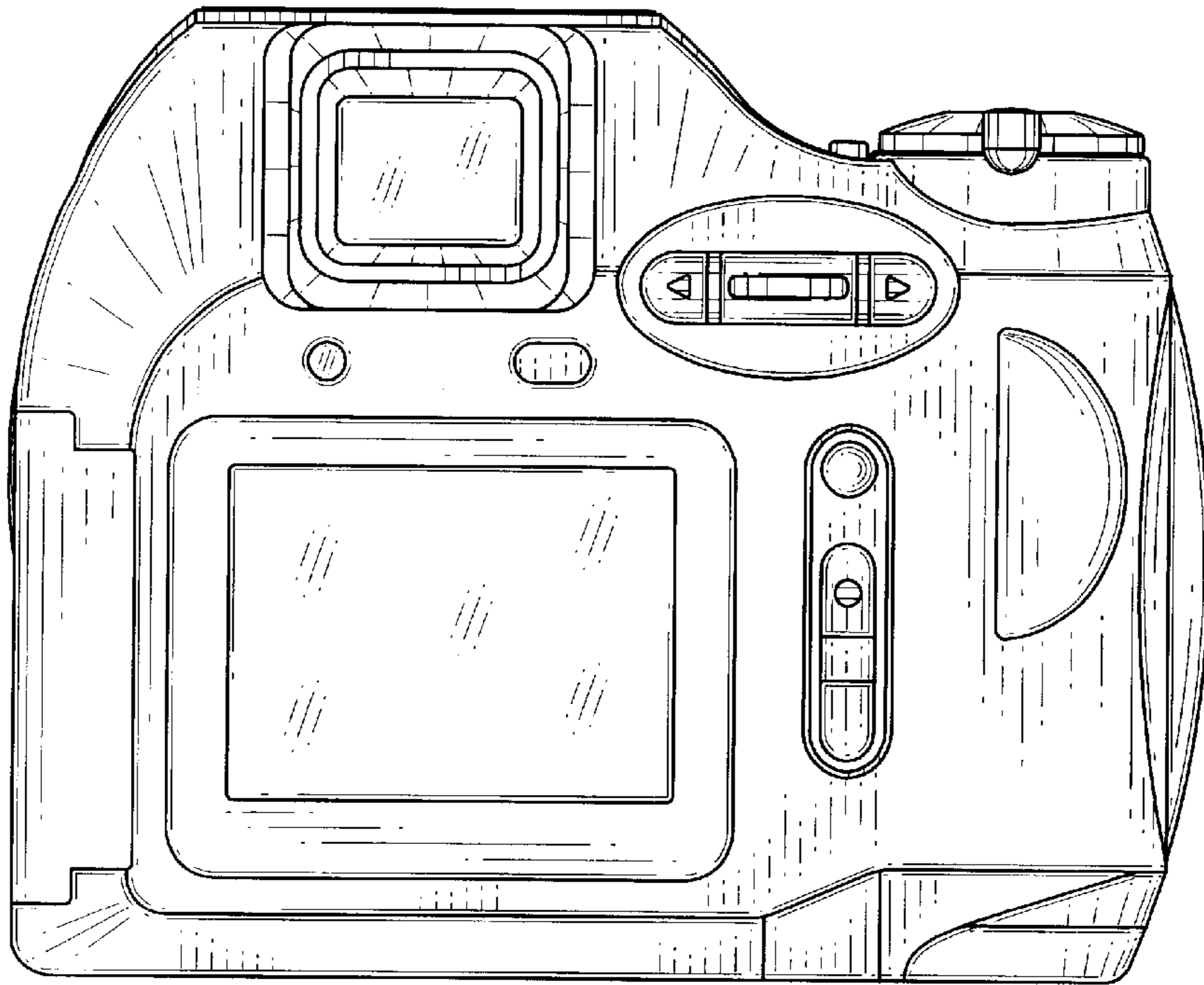


FIG. 4

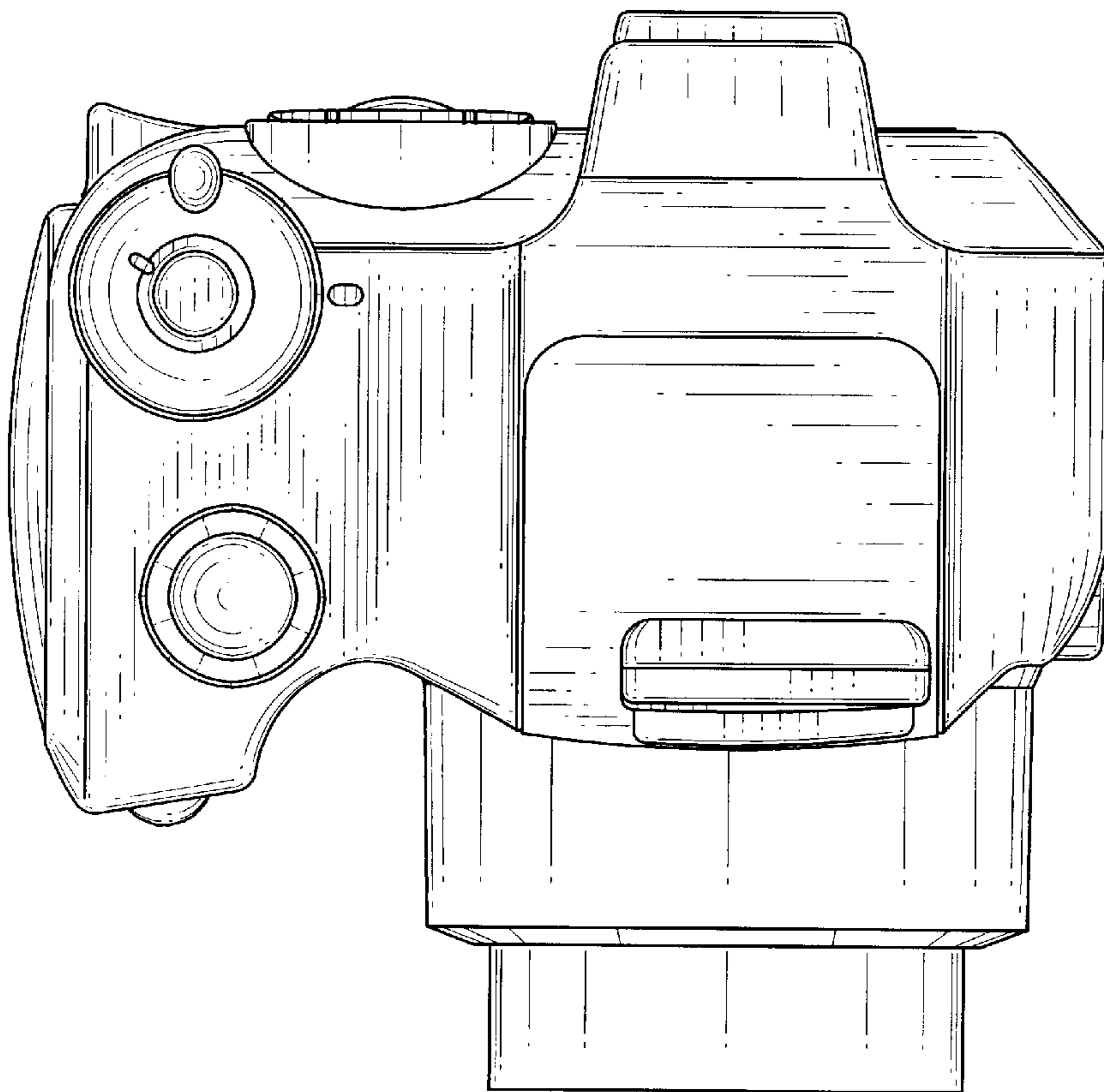


FIG. 5

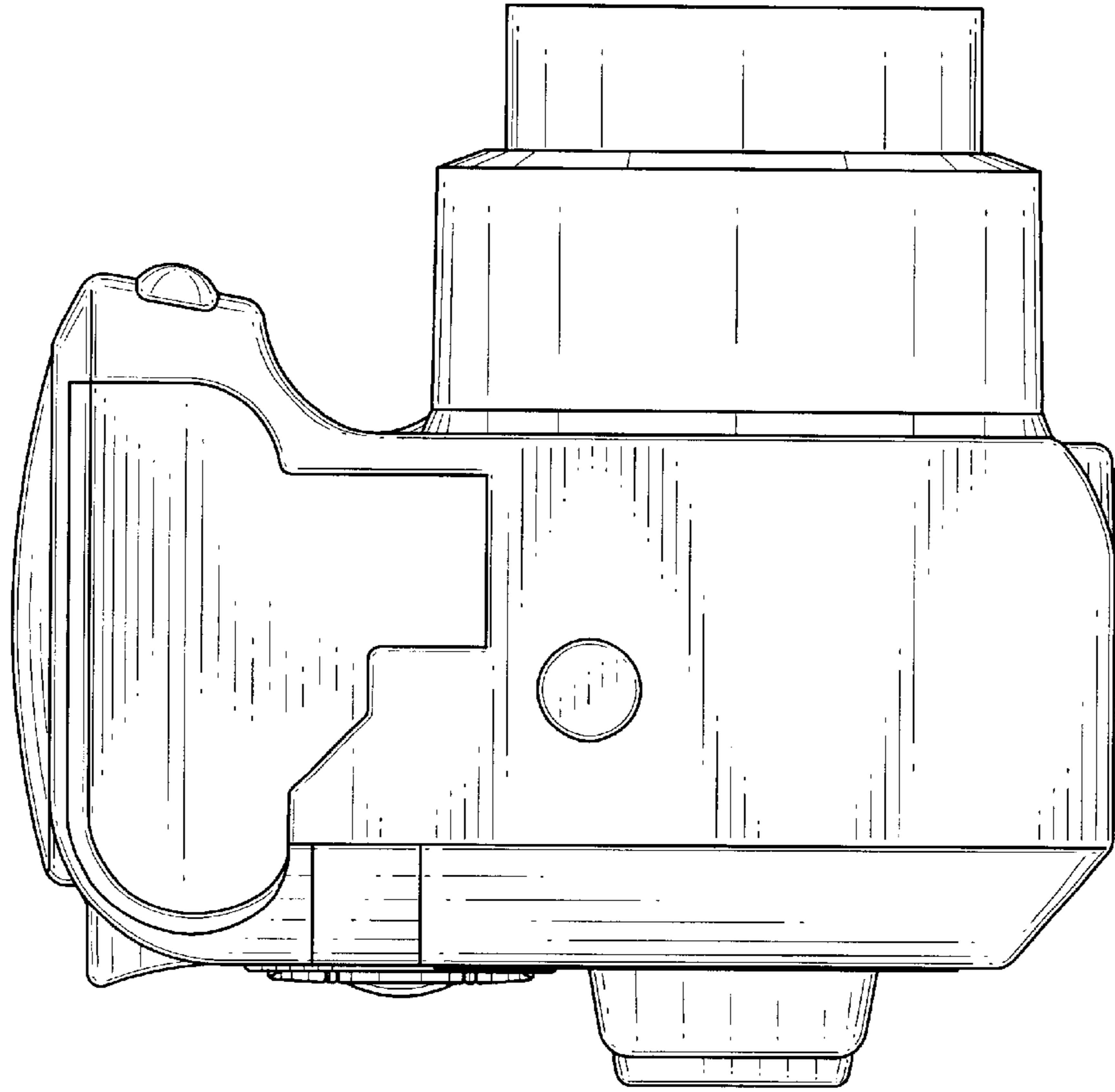


FIG. 6

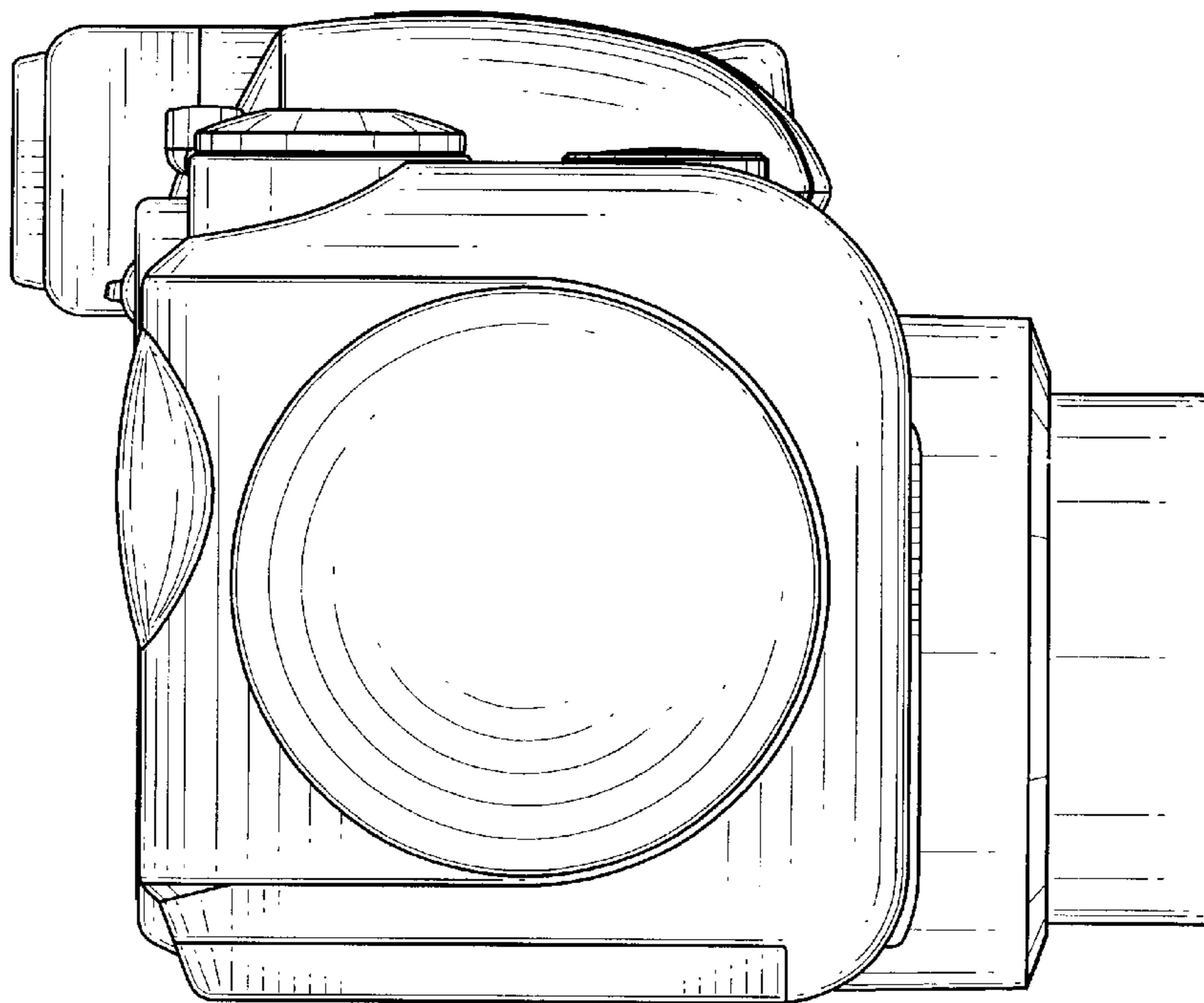


FIG. 7

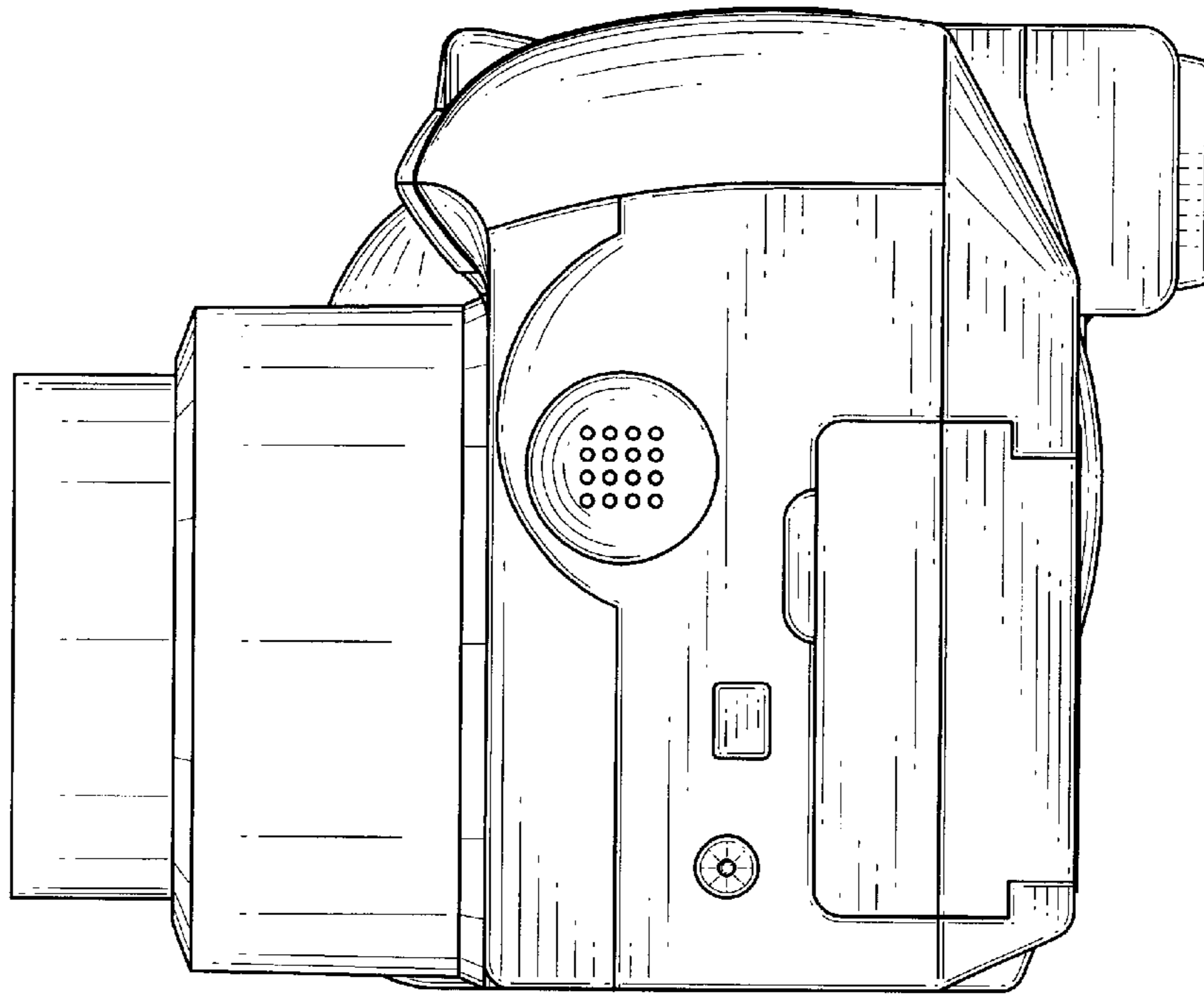


FIG. 8

