



US00D467949S

(12) **United States Design Patent**
Lee

(10) **Patent No.:** **US D467,949 S**

(45) **Date of Patent:** **** Dec. 31, 2002**

(54) **APPARATUS FOR REPAIRING THE SURFACE OF AN OPTICAL DISC**

Primary Examiner—Antoine Duval Davis
(74) *Attorney, Agent, or Firm*—Rosenberg, Klein & Lee

(76) **Inventor:** **Jean Chin Chu Lee**, Room 6, 11th Floor, No. 410, Sec. 5, Jongshioe East Road, Taipei (TW)

(57) **CLAIM**

The ornamental design for an apparatus for repairing the surface of an optical disc, as shown and described.

(**) **Term:** **14 Years**

(21) **Appl. No.:** **29/152,703**

DESCRIPTION

(22) **Filed:** **Dec. 31, 2001**

(51) **LOC (7) Cl.** **15-09**

(52) **U.S. Cl.** **D15/125**

(58) **Field of Search** D15/124, 125;
451/242–258, 391, 364, 63, 526

FIG. 1 is a top, front and right side perspective view of an apparatus for repairing the surface of an optical disc showing my new design;
FIG. 2 is a front elevational view thereof;
FIG. 3 is a rear elevational view thereof;
FIG. 4 is a top plan view thereof;
FIG. 5 is a bottom plan view thereof;
FIG. 6 is a left side elevational view thereof; and,
FIG. 7 is a right side elevational view thereof.

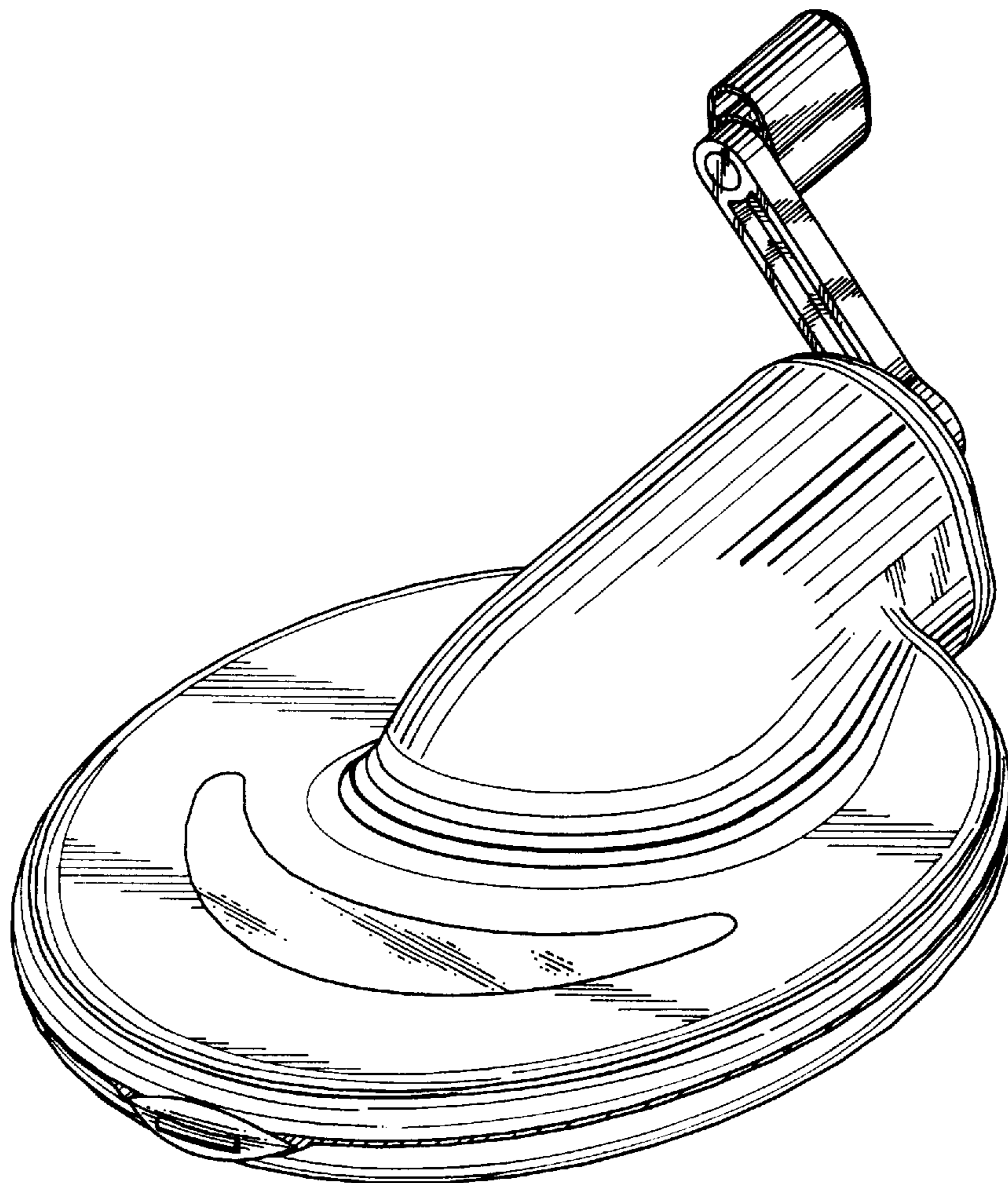
(56) **References Cited**

U.S. PATENT DOCUMENTS

5,964,650 A * 10/1999 Born et al. 451/63

* cited by examiner

1 Claim, 5 Drawing Sheets



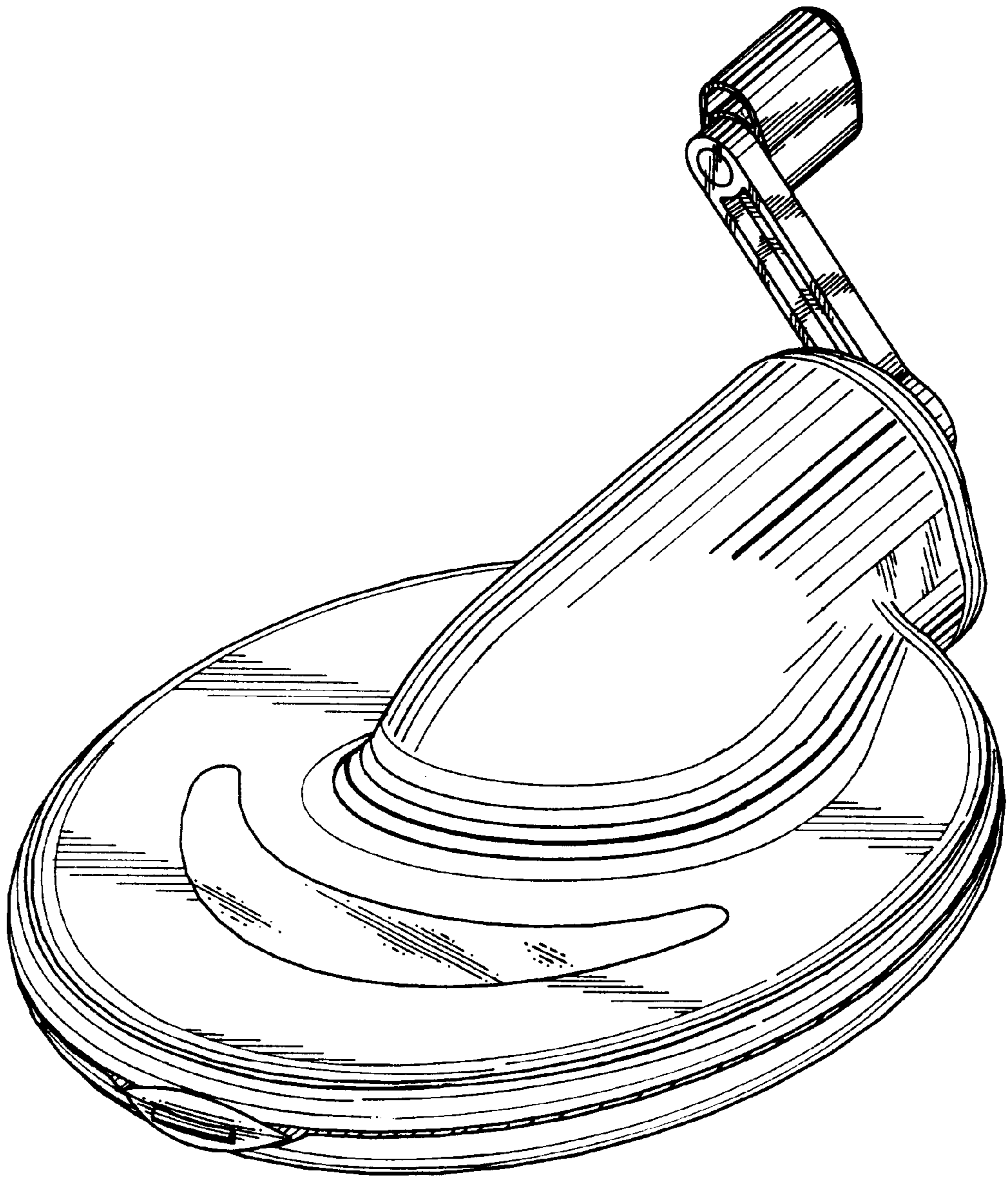


Fig. 1

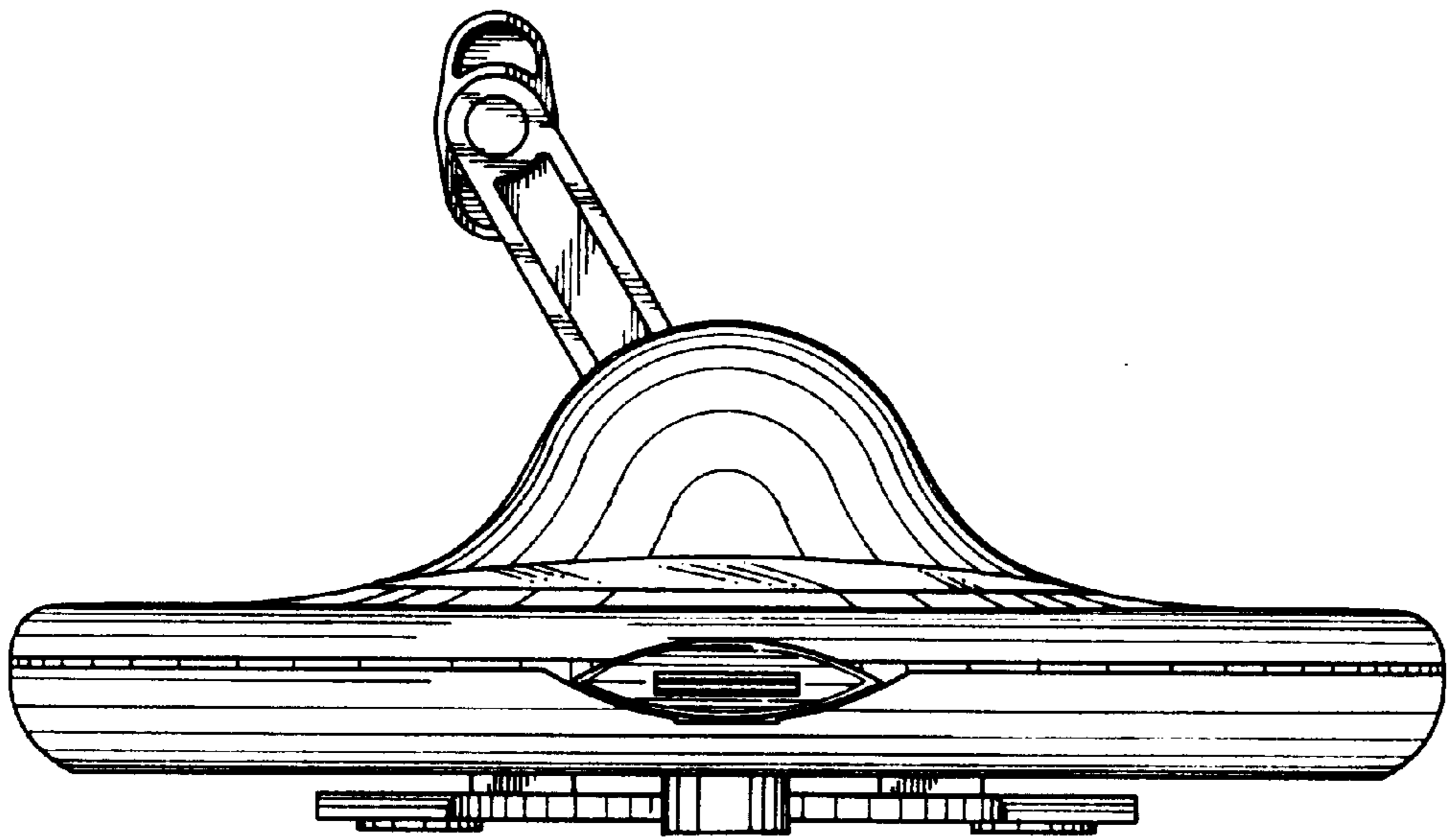


Fig. 2

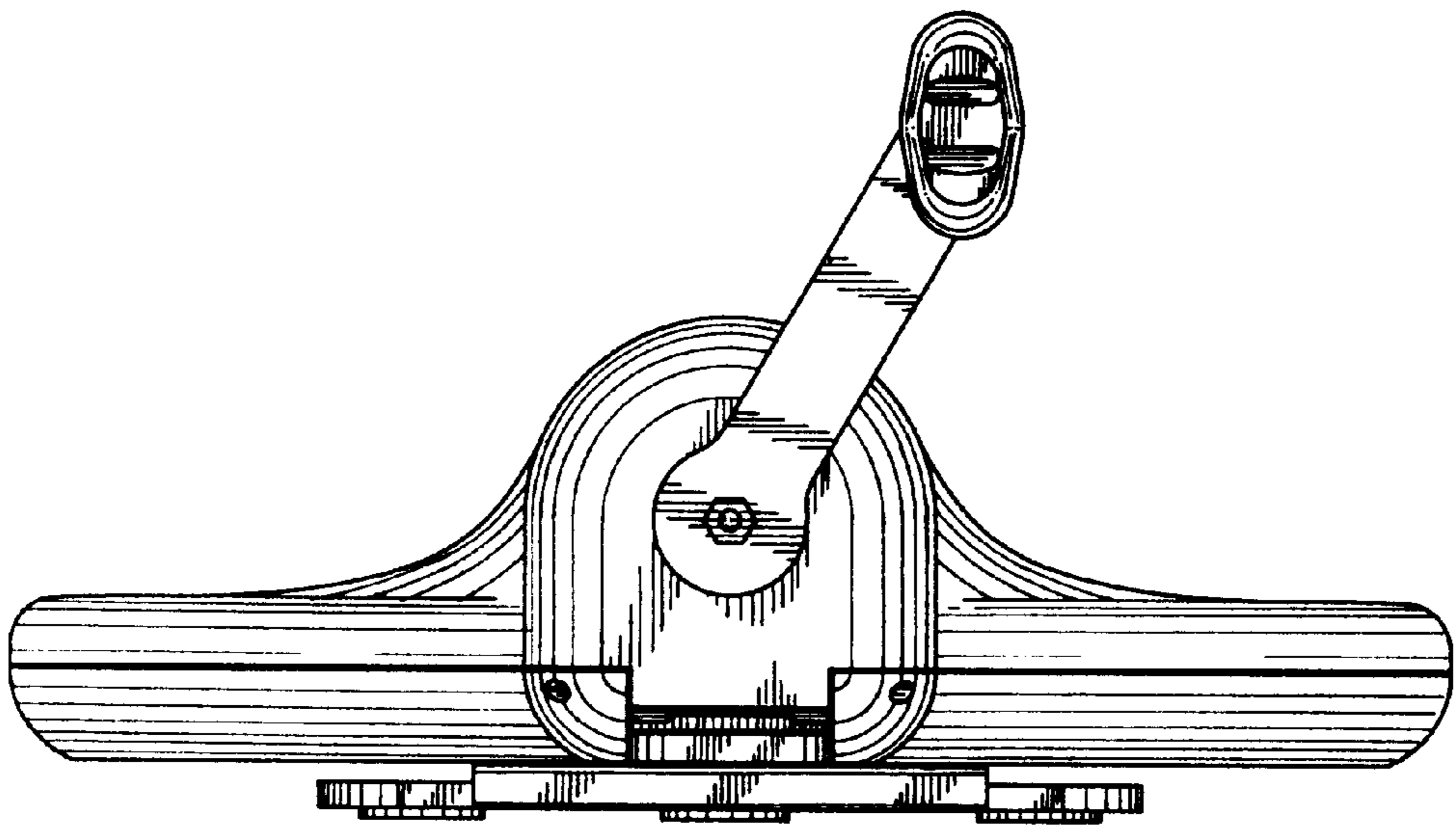


Fig. 3

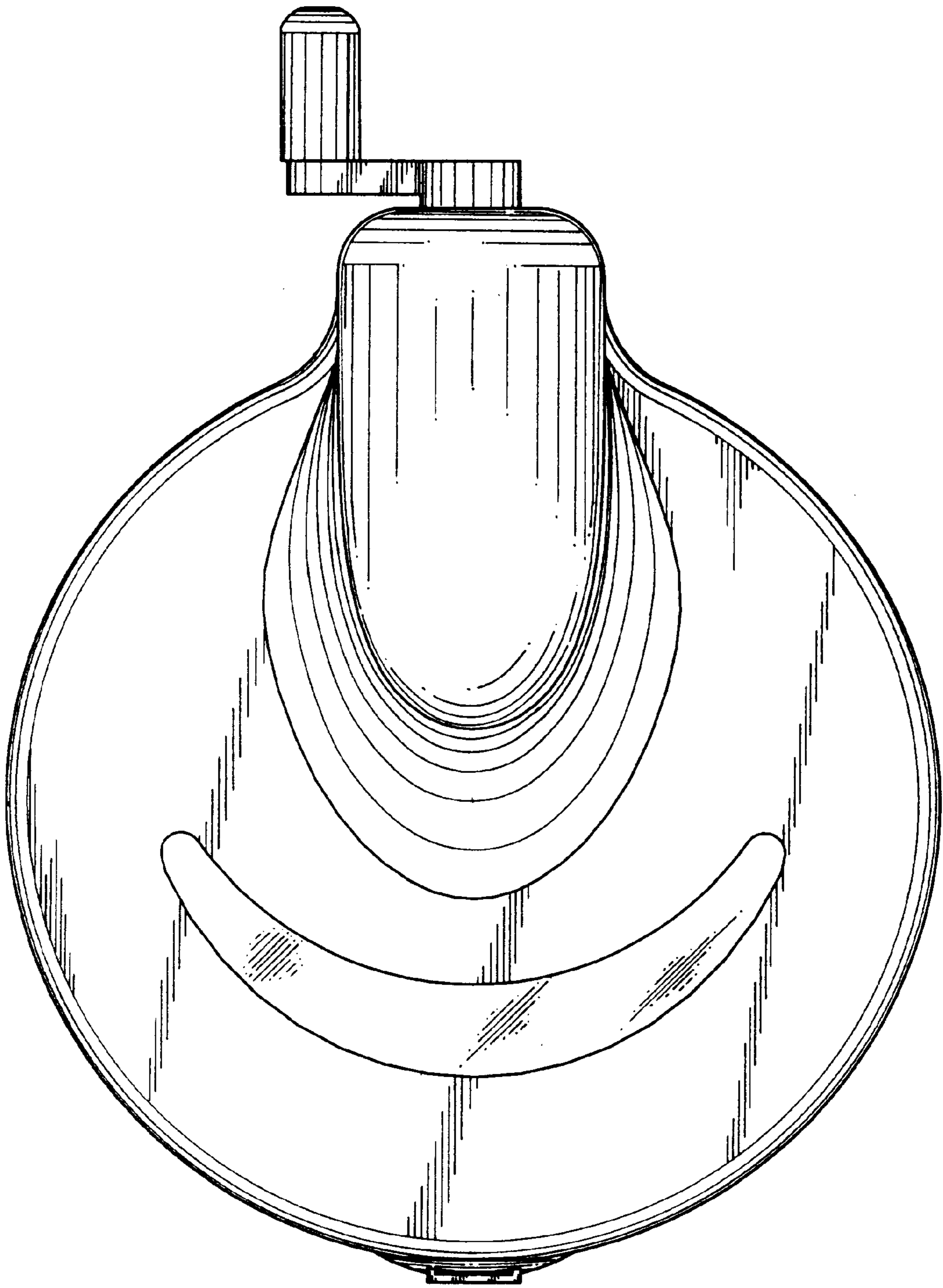


Fig. 4

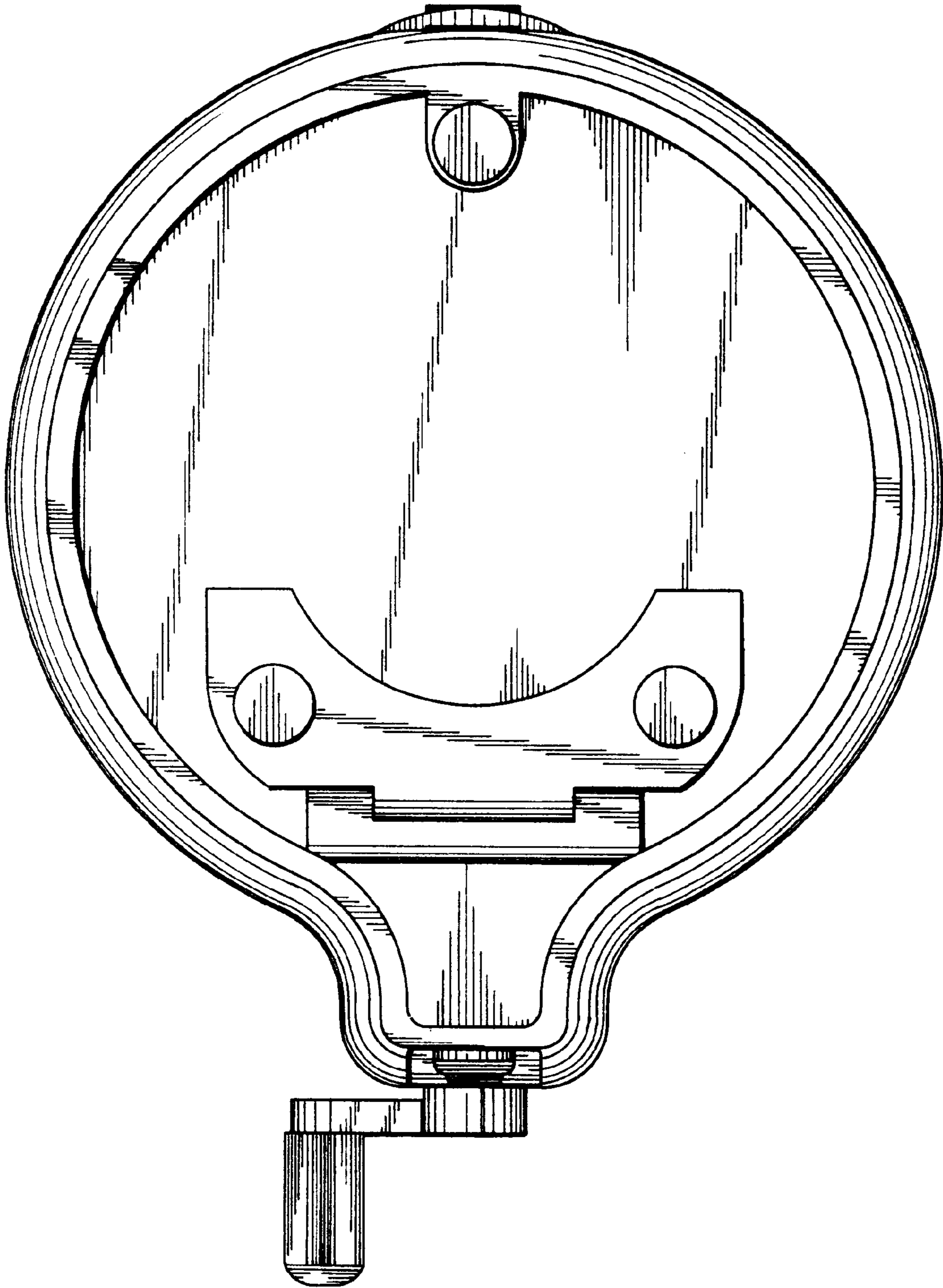


Fig. 5

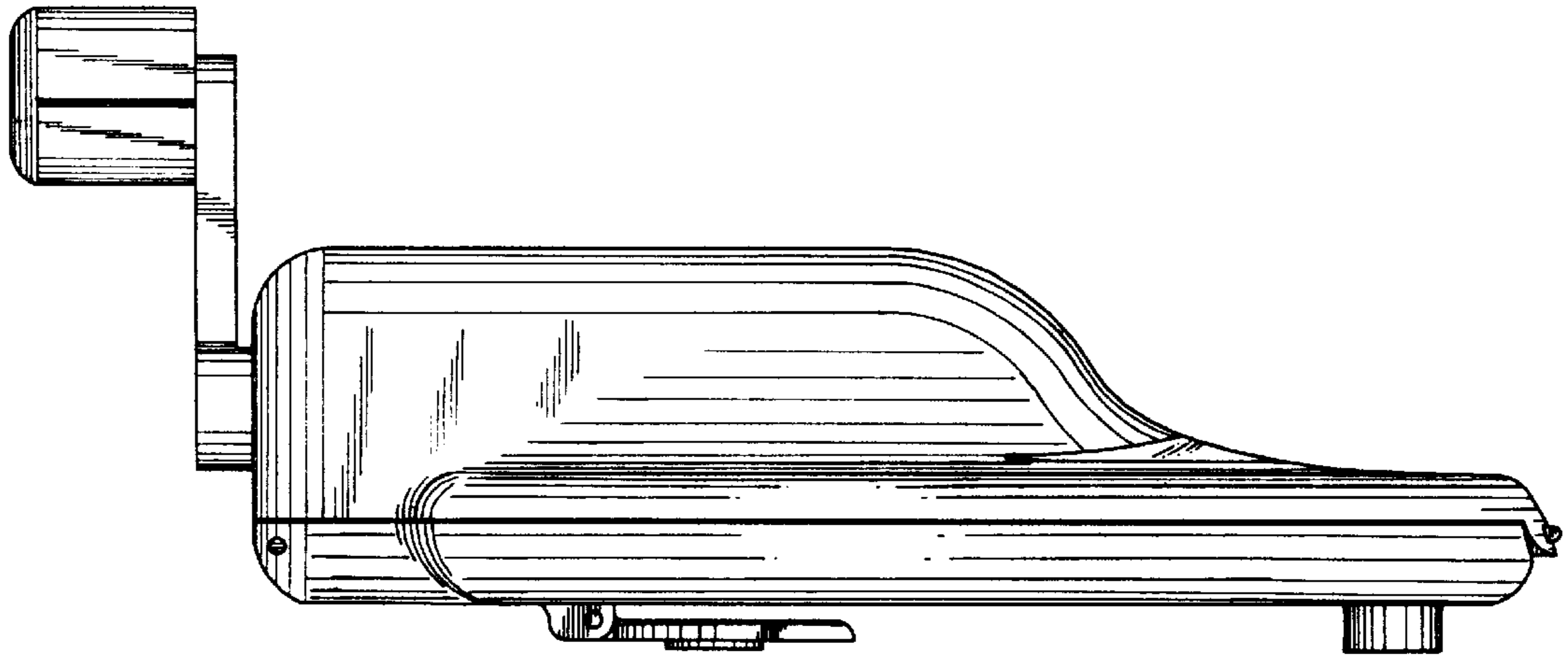


Fig. 6

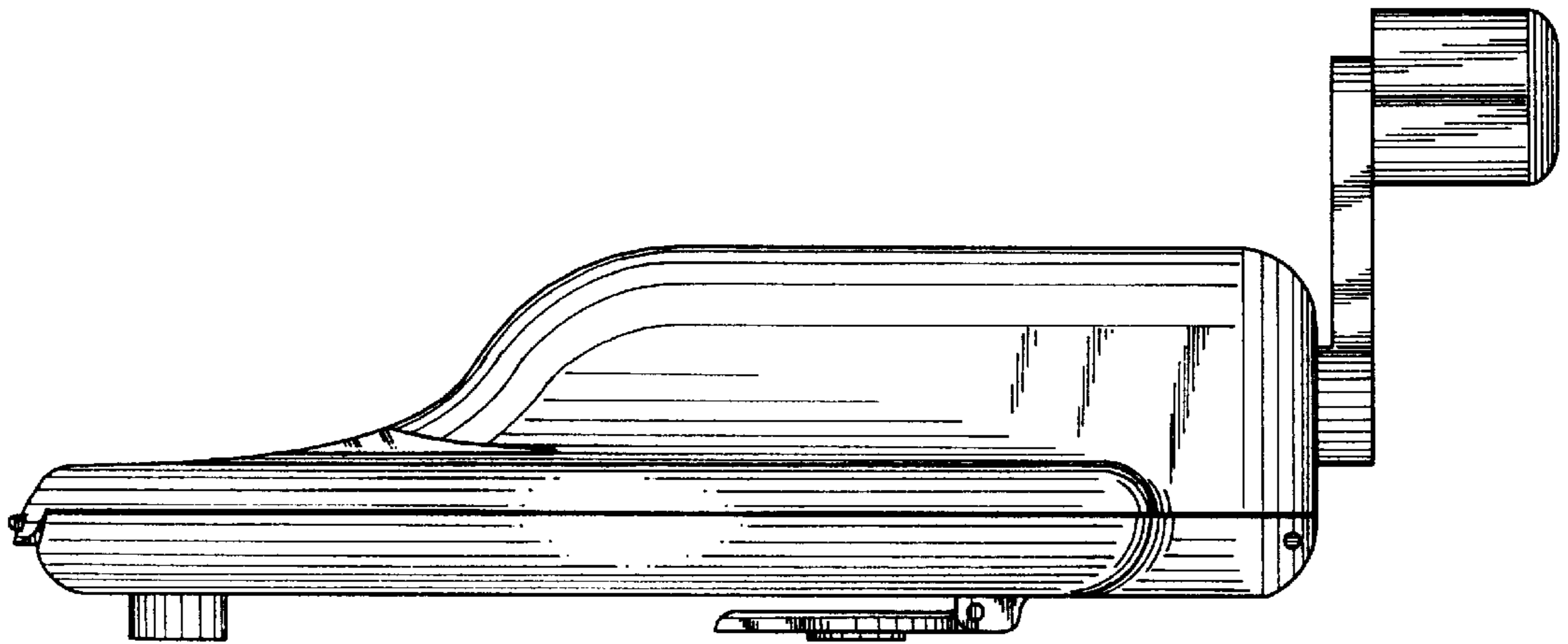


Fig. 7