



US00D467948S

(12) **United States Design Patent**  
**Powers**

(10) **Patent No.:** **US D467,948 S**

(45) **Date of Patent:** **\*\* Dec. 31, 2002**

(54) **EYEGLASS LENS MANUFACTURING APPARATUS HOUSING**

6,290,569 B1 \* 9/2001 Mizone et al. .... 451/5

\* cited by examiner

(75) Inventor: **Galen R. Powers**, Louisville, KY (US)

*Primary Examiner*—Antoine Duval Davis

(73) Assignee: **Q2100, Inc.**, Louisville, KY (US)

(74) *Attorney, Agent, or Firm*—Eric B. Meyertons

(\*\*) Term: **14 Years**

(57) **CLAIM**

(21) Appl. No.: **29/137,455**

The ornamental design for an eyeglass lens manufacturing apparatus housing, as shown and described.

(22) Filed: **Feb. 20, 2001**

**DESCRIPTION**

(51) **LOC (7) Cl.** ..... **15-09**

FIG. 1 is a top perspective view of an eyeglass lens manufacturing apparatus housing;

(52) **U.S. Cl.** ..... **D15/124**

FIG. 2 is a side view of an eyeglass lens manufacturing apparatus housing;

(58) **Field of Search** ..... D15/124, 125;  
264/1.1, 1.38, 1.36, 496, 1.32, 1.33, 1.31,  
1.37; 451/5-10

FIG. 3 is a front view of an eyeglass lens manufacturing apparatus housing; and,

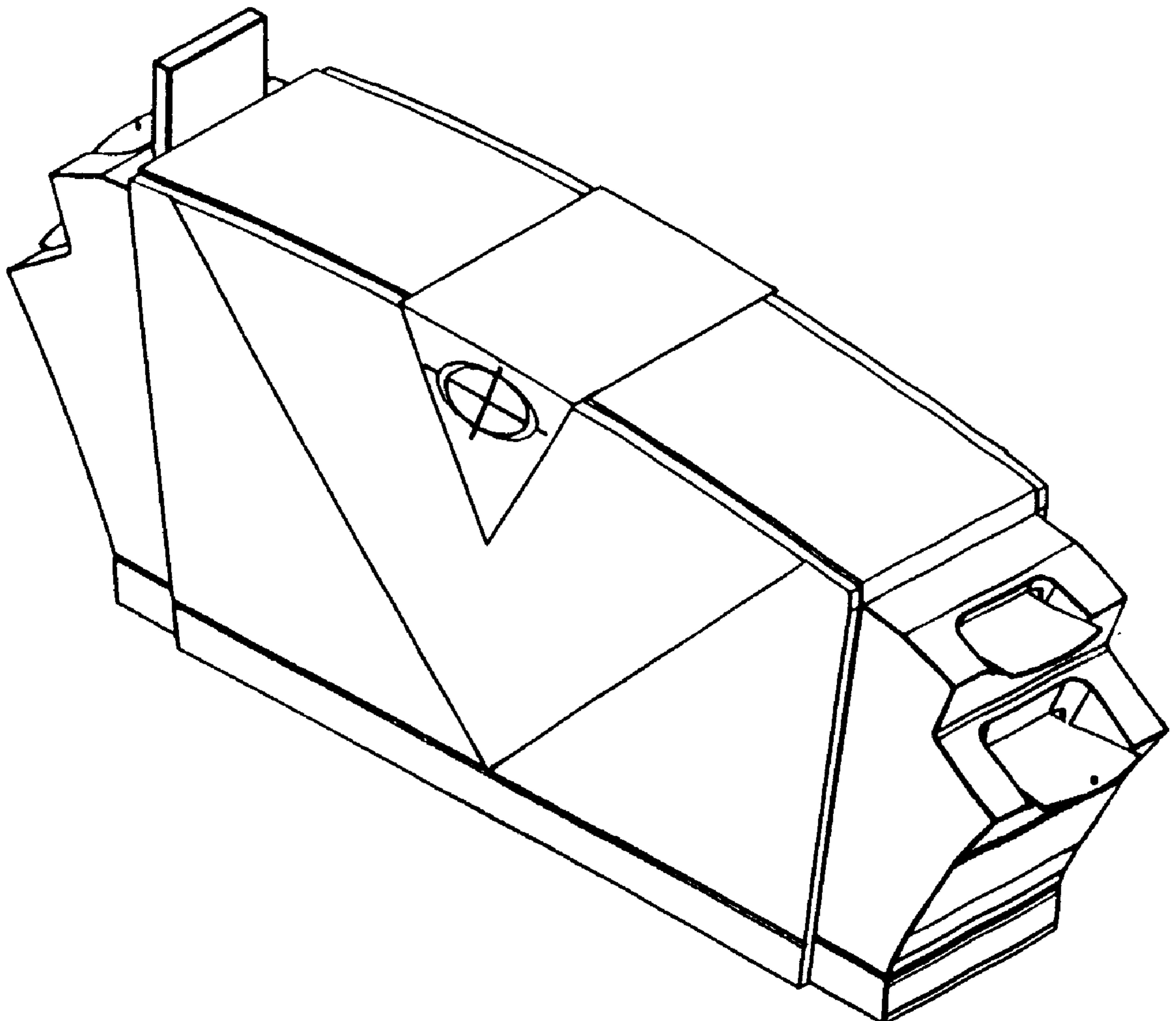
FIG. 4 is a top view of an eyeglass lens manufacturing apparatus housing.

(56) **References Cited**

**U.S. PATENT DOCUMENTS**

D435,053 S \* 12/2000 Andrews et al. .... D15/124

**1 Claim, 1 Drawing Sheet**



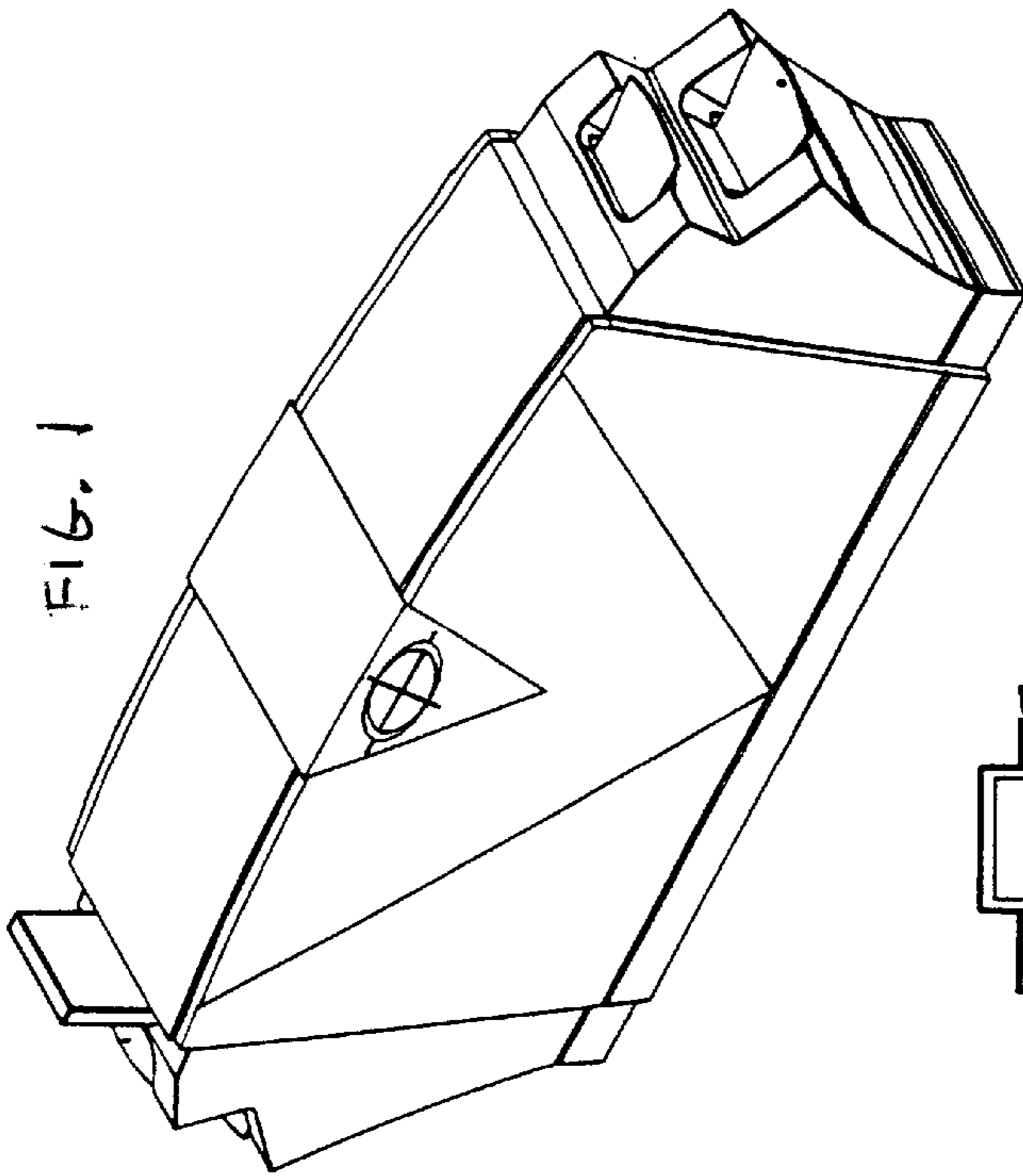


FIG. 4

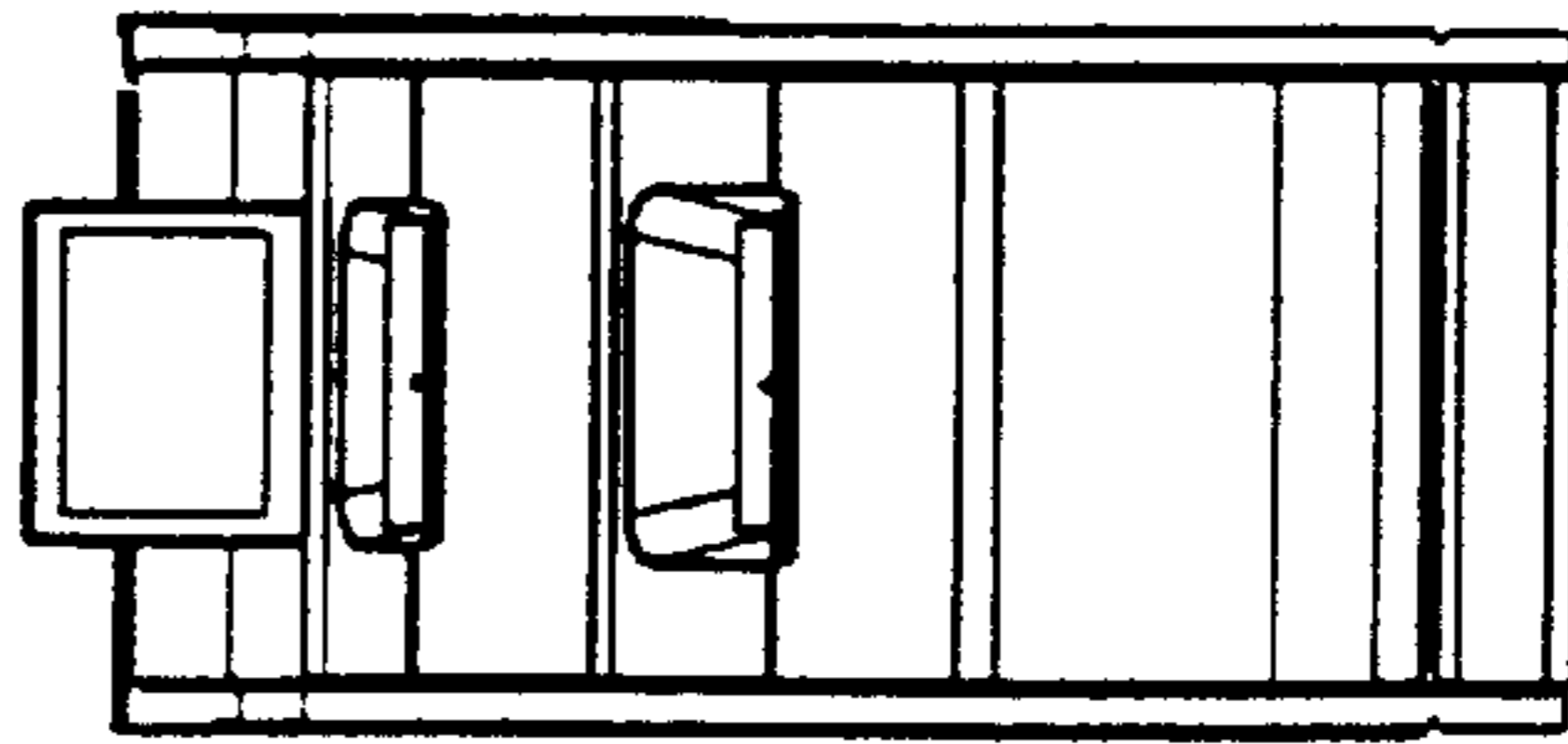
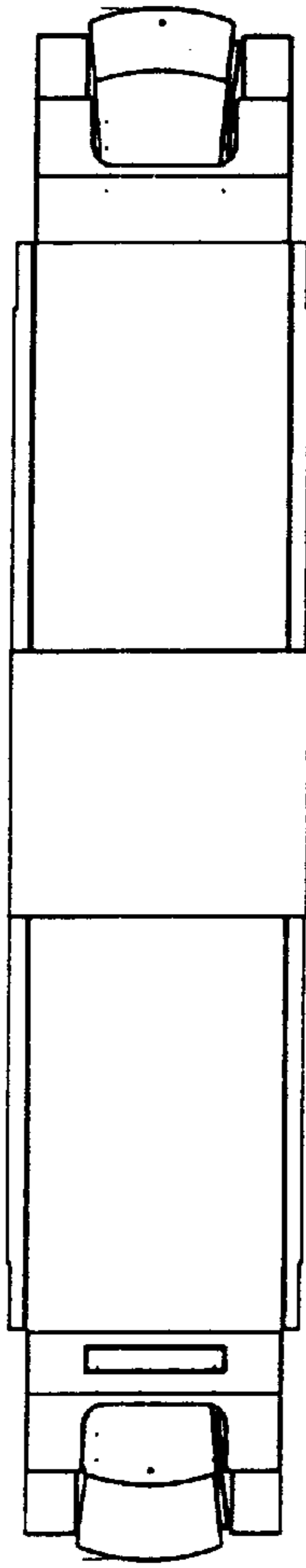


FIG. 2

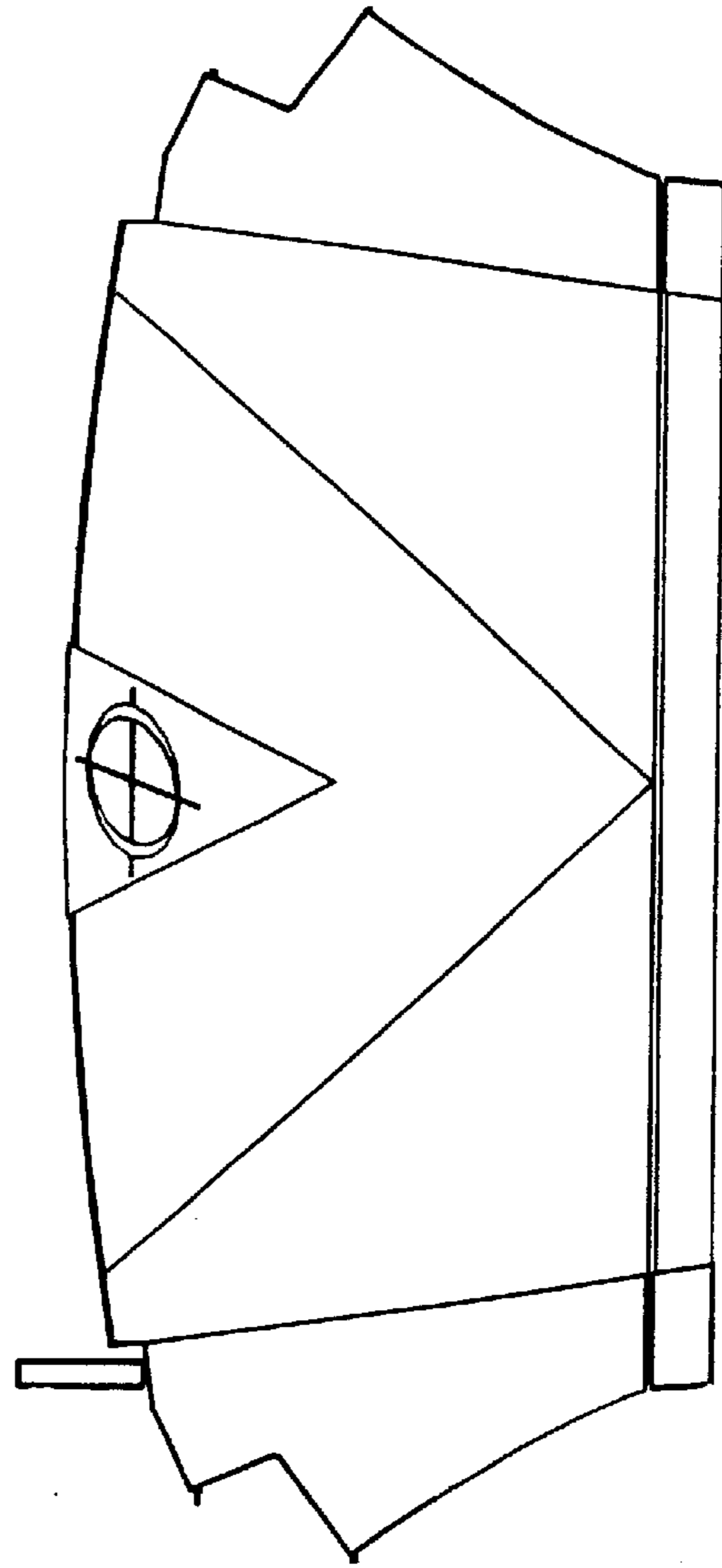


FIG. 3