



US00D467947S

(12) **United States Design Patent**  
**Ohgaki**

(10) **Patent No.:** **US D467,947 S**

(45) **Date of Patent:** **\*\* Dec. 31, 2002**

(54) **CONDENSER FOR A REFRIGERATOR**

(75) **Inventor:** Masahiro Ohgaki, Koga (JP)

(73) **Assignee:** Sanoh Industrial Co., Ltd., Koga (JP)

(\*\*) **Term:** 14 Years

(21) **Appl. No.:** 29/147,978

(22) **Filed:** Sep. 13, 2001

(30) **Foreign Application Priority Data**

Jul. 23, 2001 (JP) ..... 2001-021266

(51) **LOC (7) Cl.** ..... 15-07

(52) **U.S. Cl.** ..... D15/89

(58) **Field of Search** ..... D15/89; 62/297,  
62/228.1, 236, 331, 428, 506, 454; 165/150,  
171, 163

(56) **References Cited**

U.S. PATENT DOCUMENTS

2,522,623 A \* 9/1950 Likes et al. .... 62/297

4,047,393 A \* 9/1977 Hanson et al. .... 62/428

5,502,983 A \* 4/1996 Dasher ..... 62/454

6,098,705 A \* 8/2000 Kim ..... 165/163

6,318,098 B1 \* 11/2001 Boxum ..... 62/485

\* cited by examiner

*Primary Examiner*—Mitchell Siegel

(74) *Attorney, Agent, or Firm*—Varndell & Varndell, PLLC

(57) **CLAIM**

The ornamental design for a condenser for a refrigerator, as shown and described.

**DESCRIPTION**

FIG. 1 is a perspective view of the condenser for a refrigerator showing my new design;

FIG. 2 is a front elevational view thereof;

FIG. 3 is a left side elevational view thereof;

FIG. 4 is a right side elevational view thereof;

FIG. 5 is a top plan view thereof; and,

FIG. 6 is a bottom plan view thereof.

**1 Claim, 4 Drawing Sheets**

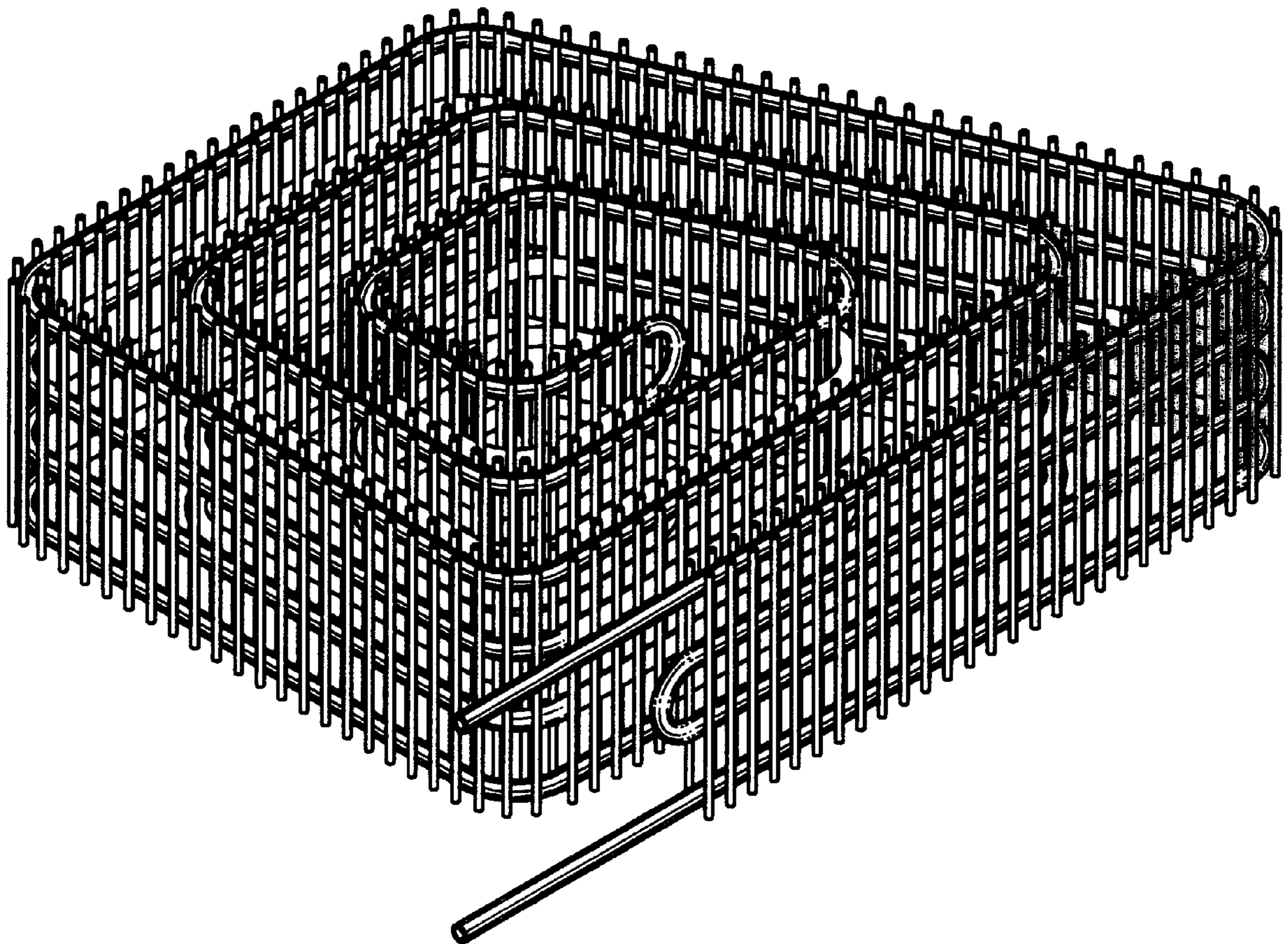


FIG. 1

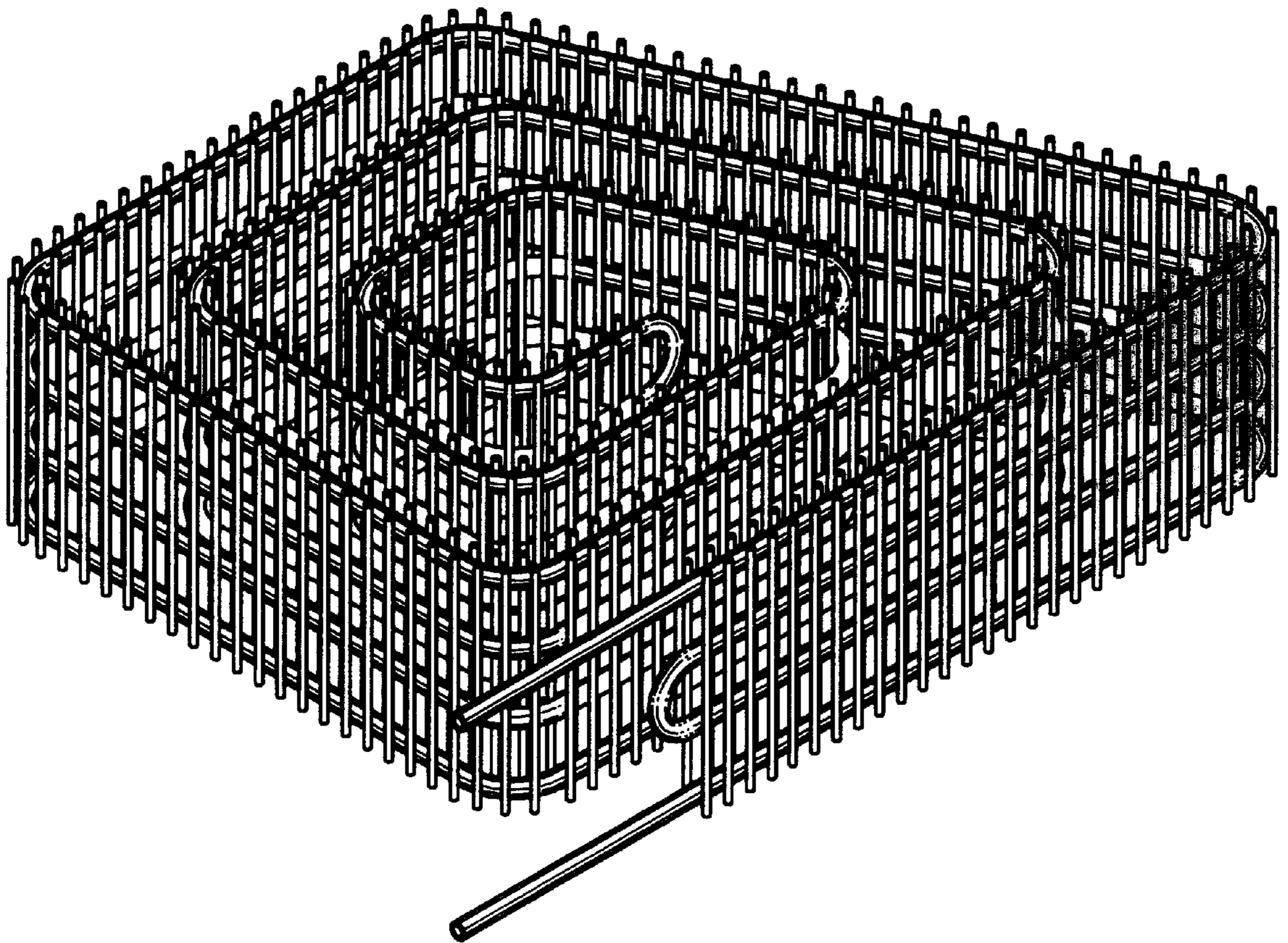


FIG. 2

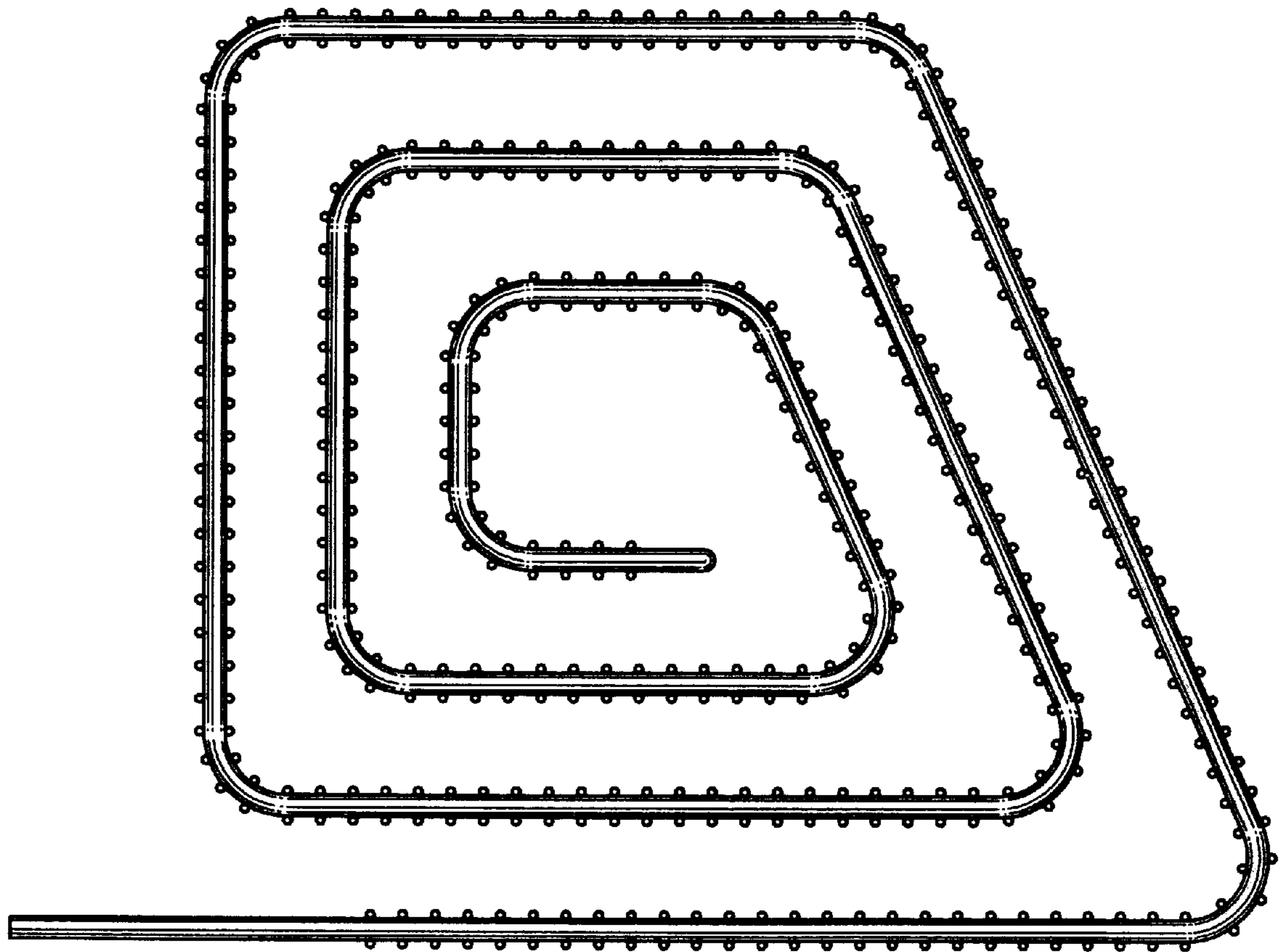




FIG. 3

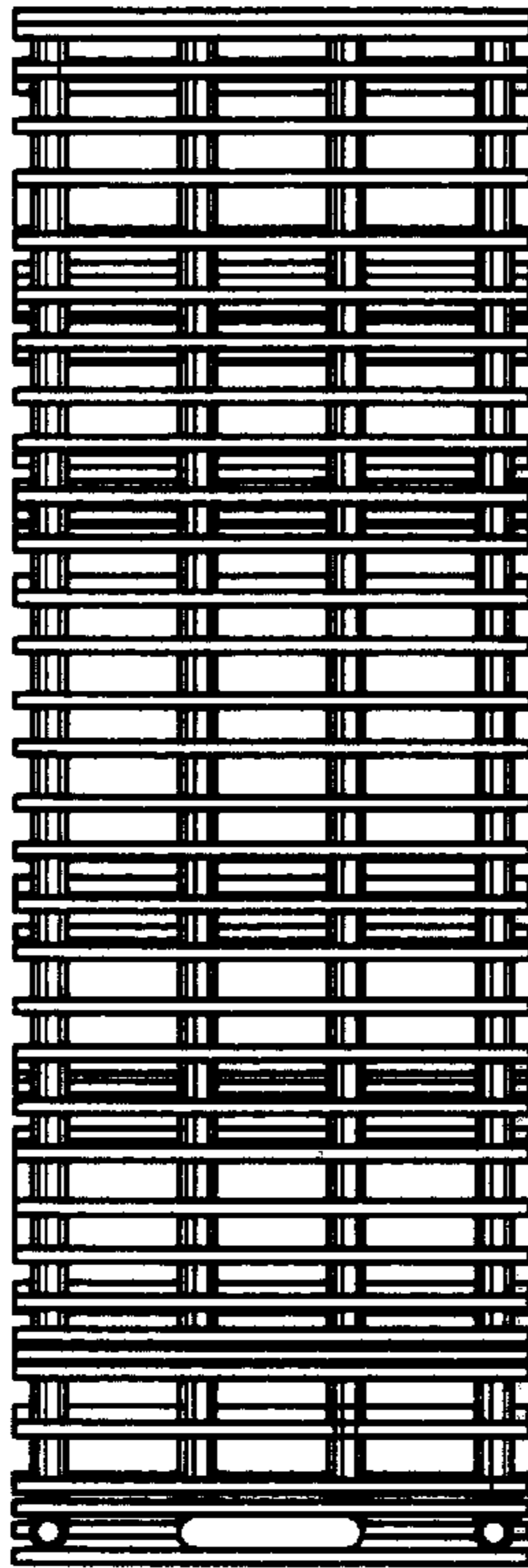


FIG. 4

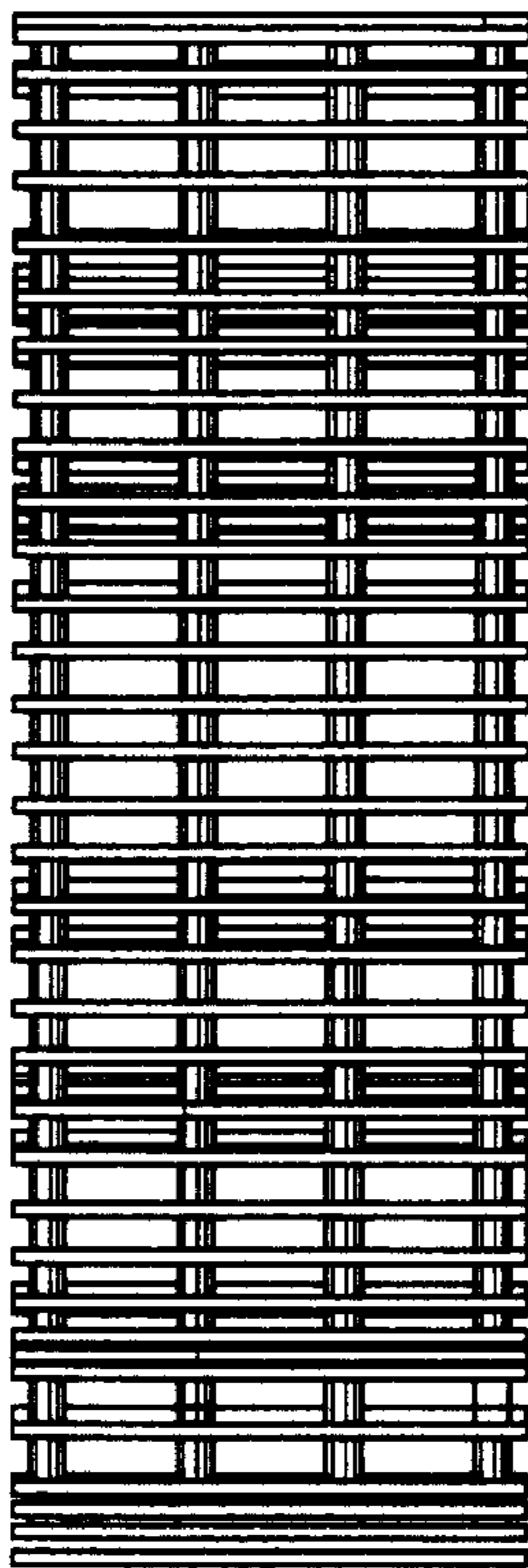


FIG. 5

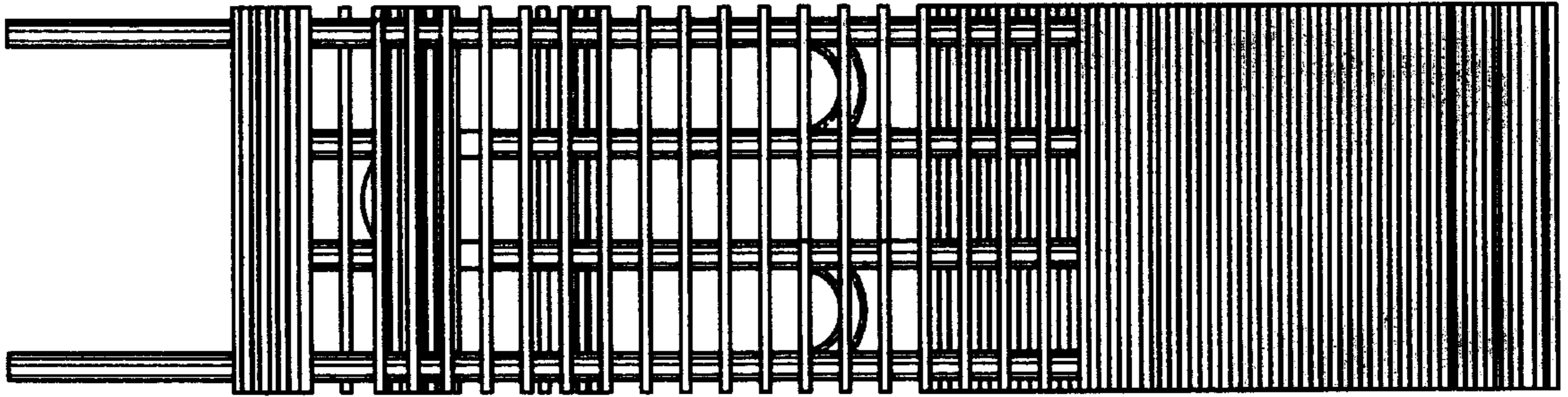


FIG. 6

