



US00D467946S

(12) **United States Design Patent**
Ohgaki

(10) **Patent No.:** **US D467,946 S**

(45) **Date of Patent:** **** Dec. 31, 2002**

(54) **CONDENSER FOR A REFRIGERATOR**

(75) Inventor: **Masahiro Ohgaki, Koga (JP)**

(73) Assignee: **Sanoh Industrial Co., Ltd., Koga (JP)**

(**) Term: **14 Years**

(21) Appl. No.: **29/147,977**

(22) Filed: **Sep. 13, 2001**

(30) **Foreign Application Priority Data**

Jul. 23, 2001 (JP) 2001-021267

(51) **LOC (7) Cl.** **15-07**

(52) **U.S. Cl.** **D15/89**

(58) **Field of Search** D15/89; 62/297,
62/228.1, 236, 331, 428, 506, 454; 165/150,
171, 163

(56) **References Cited**

U.S. PATENT DOCUMENTS

2,522,623 A * 9/1950 Likes et al. 62/297

4,047,393 A * 9/1977 Hanson et al. 62/428
5,502,983 A * 4/1996 Dasher 62/454
6,098,705 A * 8/2000 Kim 165/163
6,318,098 B1 * 11/2001 Boxum 62/485

* cited by examiner

Primary Examiner—Mitchell Siegel

(74) *Attorney, Agent, or Firm*—Varndell & Varndell, PLLC

(57) **CLAIM**

The ornamental design for a condenser for a refrigerator, as shown and described.

DESCRIPTION

FIG. 1 is a perspective view of the condenser for a refrigerator showing my new design;
FIG. 2 is a front elevational view thereof;
FIG. 3 is a left side elevational view thereof;
FIG. 4 is a right side elevational view thereof;
FIG. 5 is a top plan view thereof; and,
FIG. 6 is a bottom plan view thereof.

1 Claim, 5 Drawing Sheets

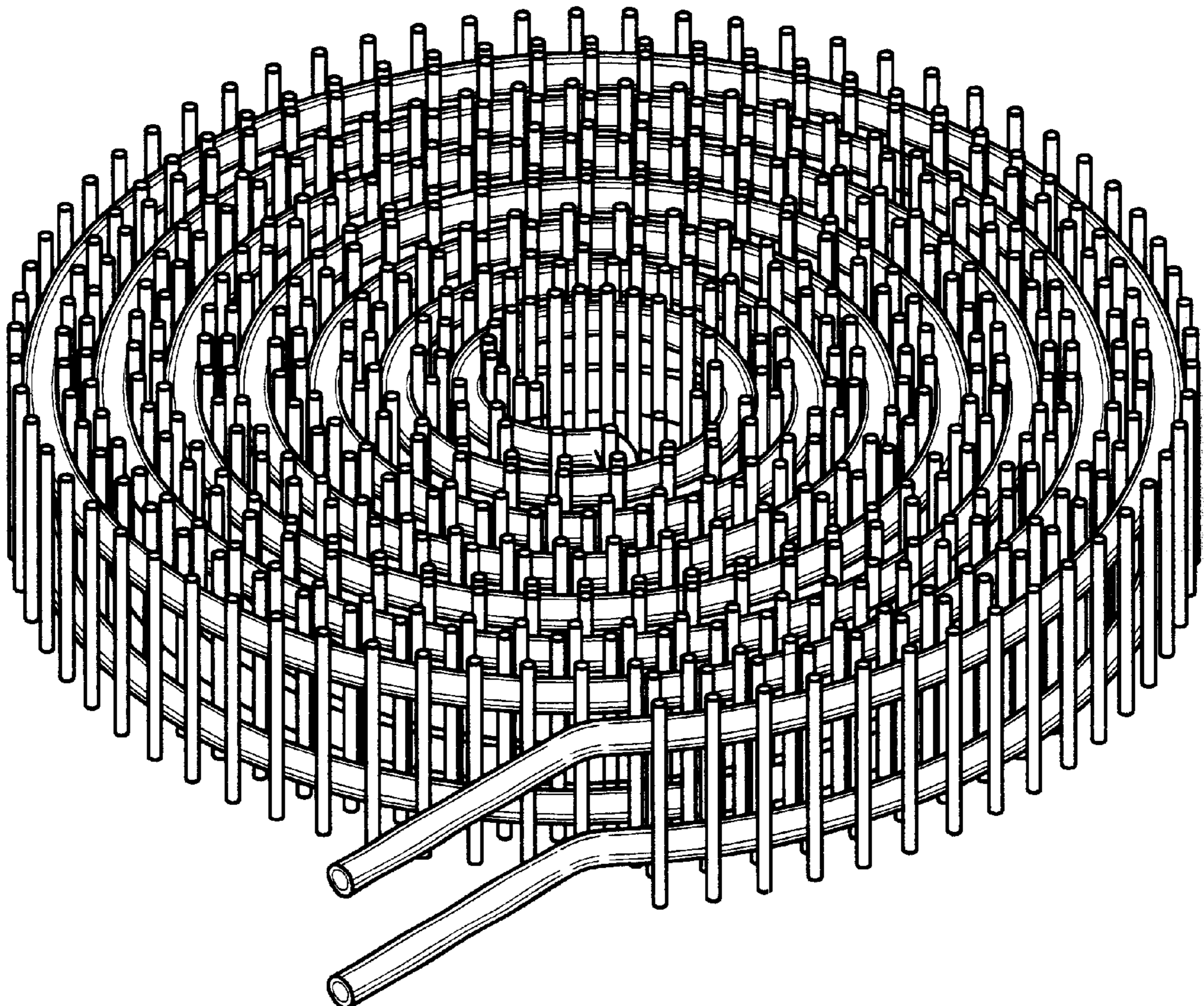


FIG. 1

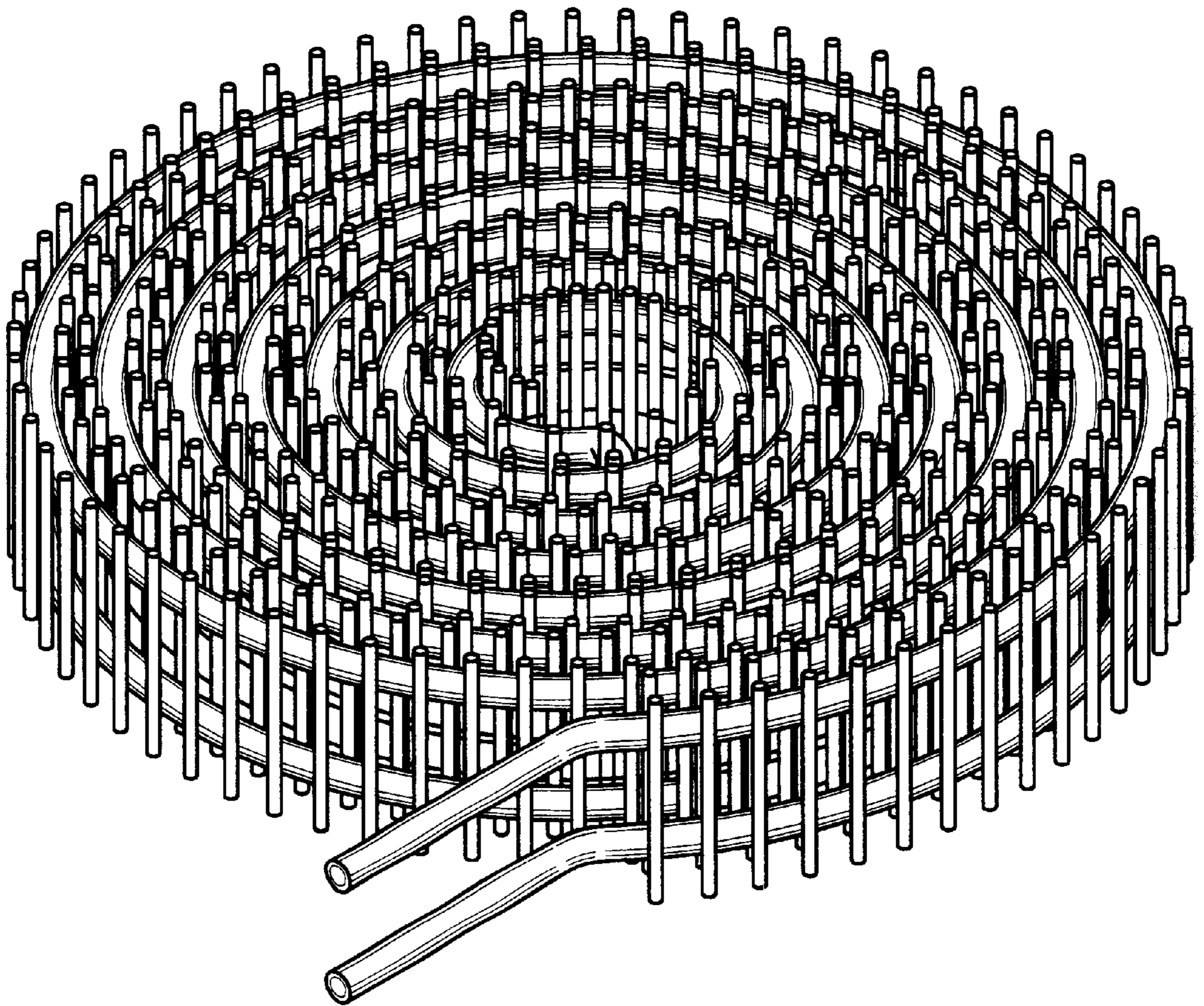


FIG. 2

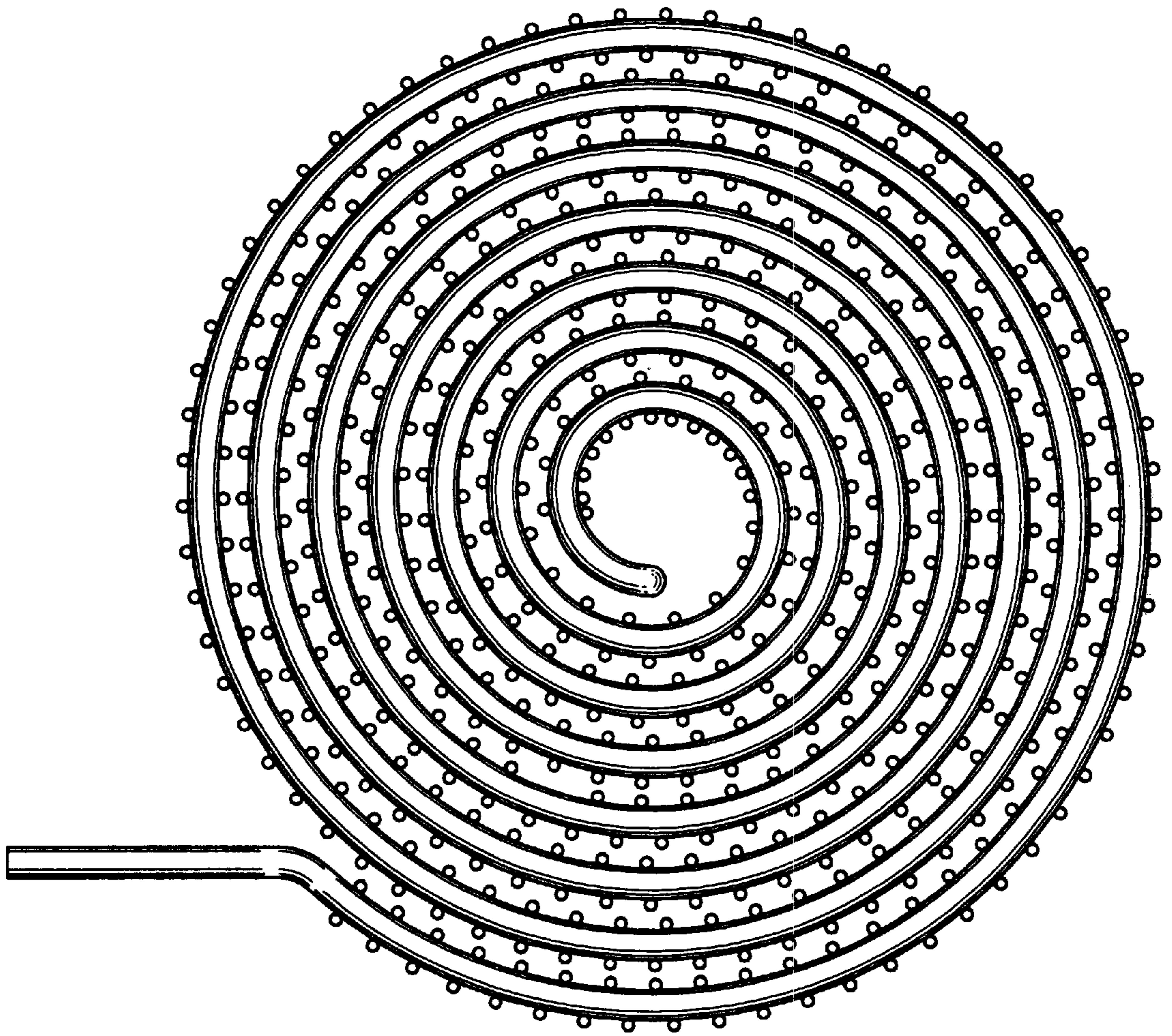


FIG. 3

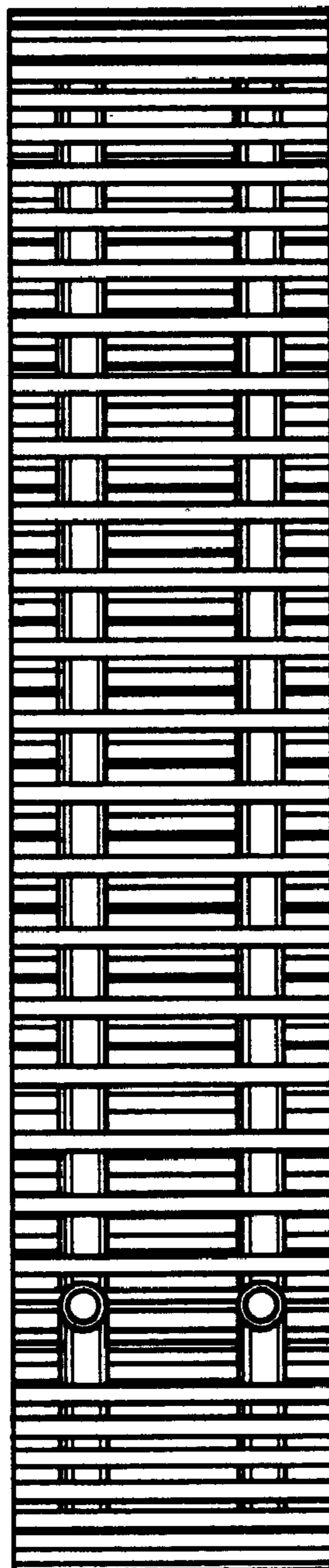


FIG. 4

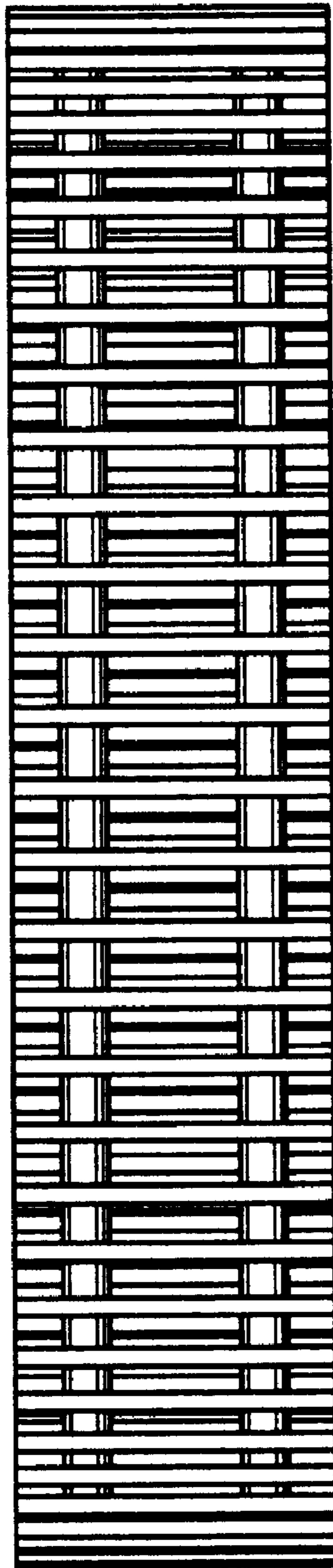


FIG. 5

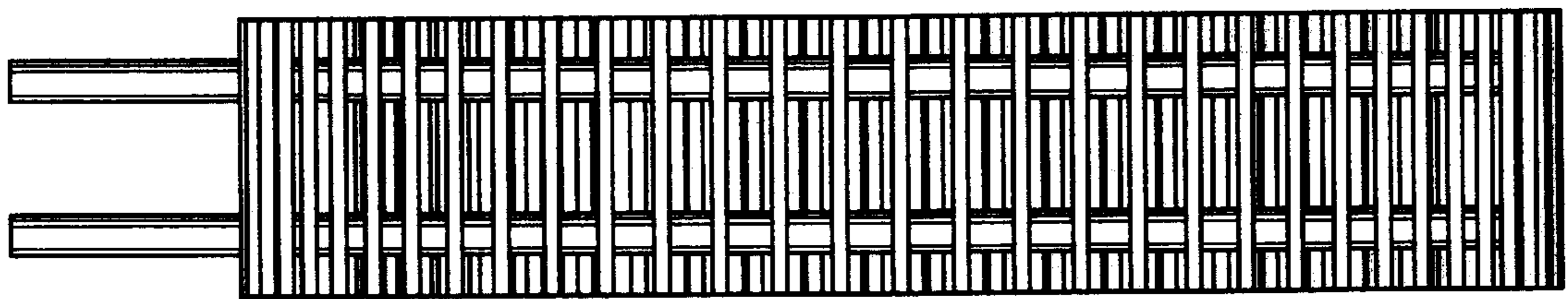


FIG. 6

