



US00D467945S

(12) **United States Design Patent**
Mori et al.

(10) **Patent No.:** **US D467,945 S**

(45) **Date of Patent:** **** Dec. 31, 2002**

(54) **SEWING MACHINE**

(75) Inventors: **Sanae Mori**, Chofu (JP); **Shigemasa Kato**, Chofu (JP)

(73) Assignee: **Juki Corporation**, Tokyo (JP)

(**) Term: **14 Years**

(21) Appl. No.: **29/145,836**

(22) Filed: **Jul. 31, 2001**

(30) **Foreign Application Priority Data**

Feb. 6, 2001 (JP) 2001-002595

(51) **LOC (7) Cl.** **15-06**

(52) **U.S. Cl.** **D15/69**

(58) **Field of Search** D15/66, 69-71;
112/258-262.1, 217.1-217.4

(56) **References Cited**

U.S. PATENT DOCUMENTS

- D298,330 S * 11/1988 Kato et al. D15/69
- D353,148 S * 12/1994 Kato et al. D15/69
- D418,524 S * 1/2000 Kato et al. D15/69

* cited by examiner

Primary Examiner—Mitchell Siegel

(74) *Attorney, Agent, or Firm*—Morgan & Finnegan, LLP

(57) **CLAIM**

The ornamental design for a sewing machine, as shown and described.

DESCRIPTION

FIG. 1. is a right side view of a sewing machine showing our new design.

FIG. 2. is a left side view thereof.

FIG. 3 is a front view thereof.

FIG. 4. is a rear view thereof.

FIG. 5. is a top plan view thereof.

FIG. 6. is a bottom plan view thereof.

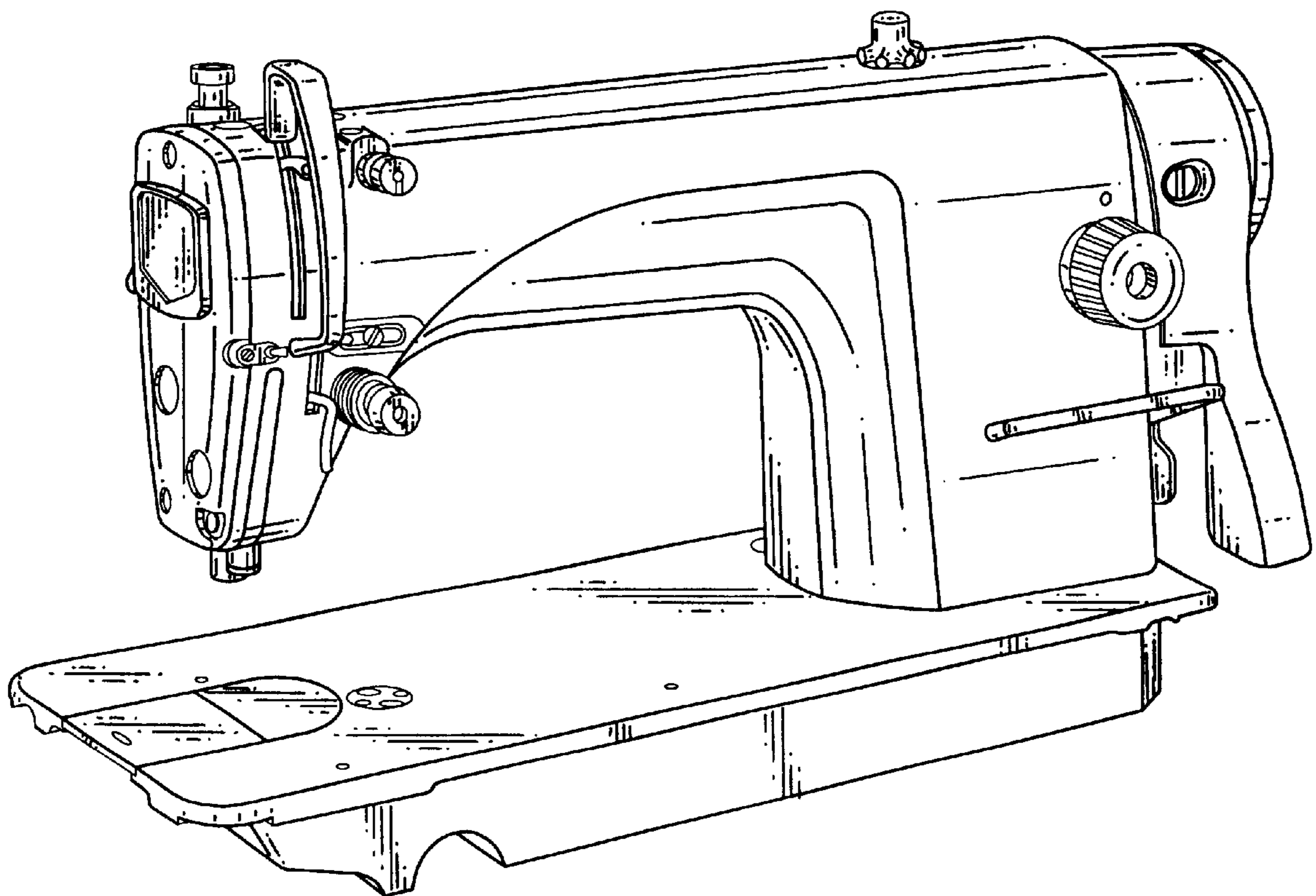
FIG. 7. is a front, top and right side perspective view thereof.

FIG. 8 is a cross-sectional view thereof taken along line II—II of FIG. 1.

FIG. 9 is a cross-sectional view thereof taken along line I—I of FIG. 1; and,

FIG. 10 is a cross-sectional view thereof taken along line III—III of FIG. 1.

1 Claim, 5 Drawing Sheets



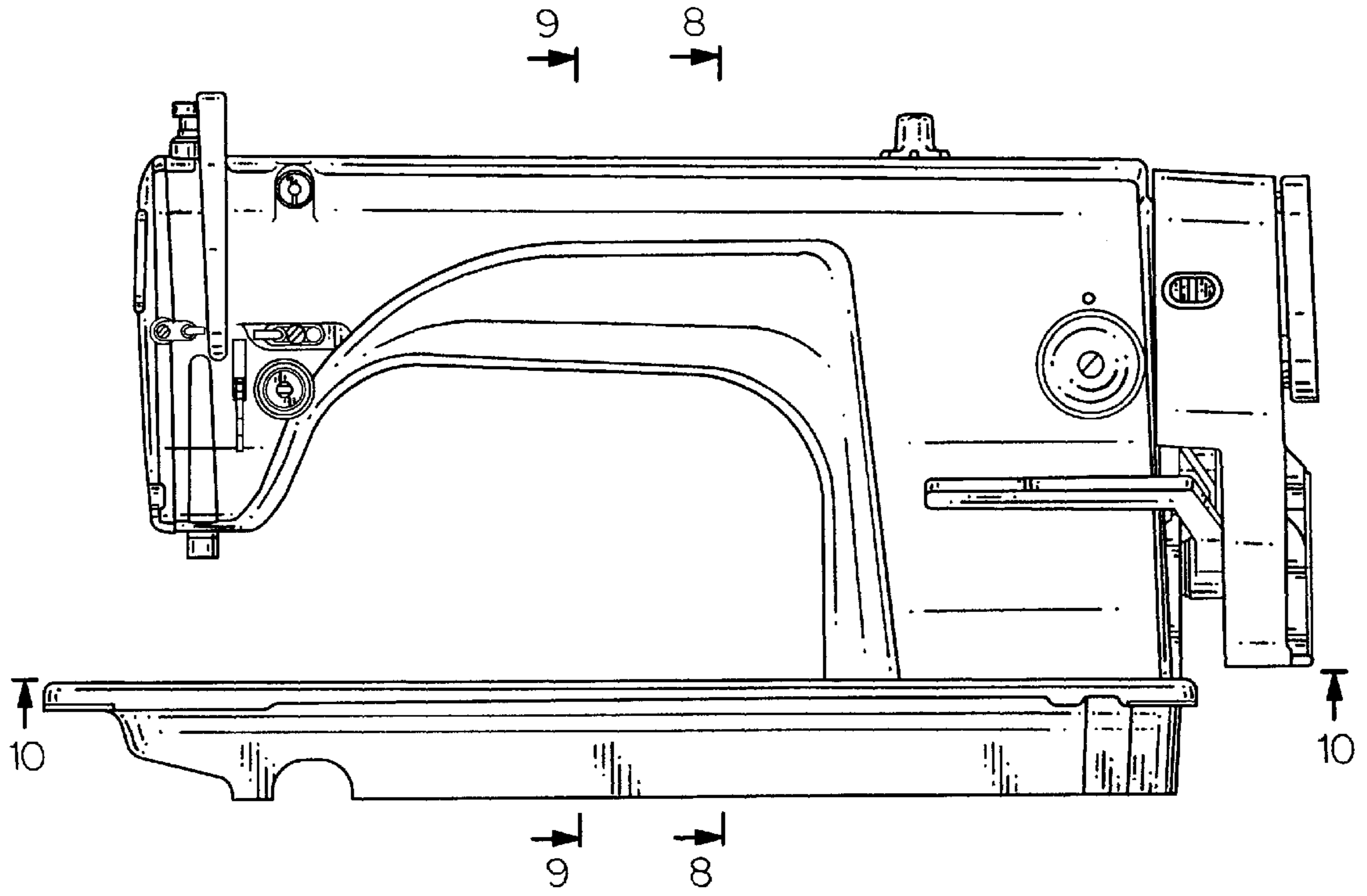


FIG. 1

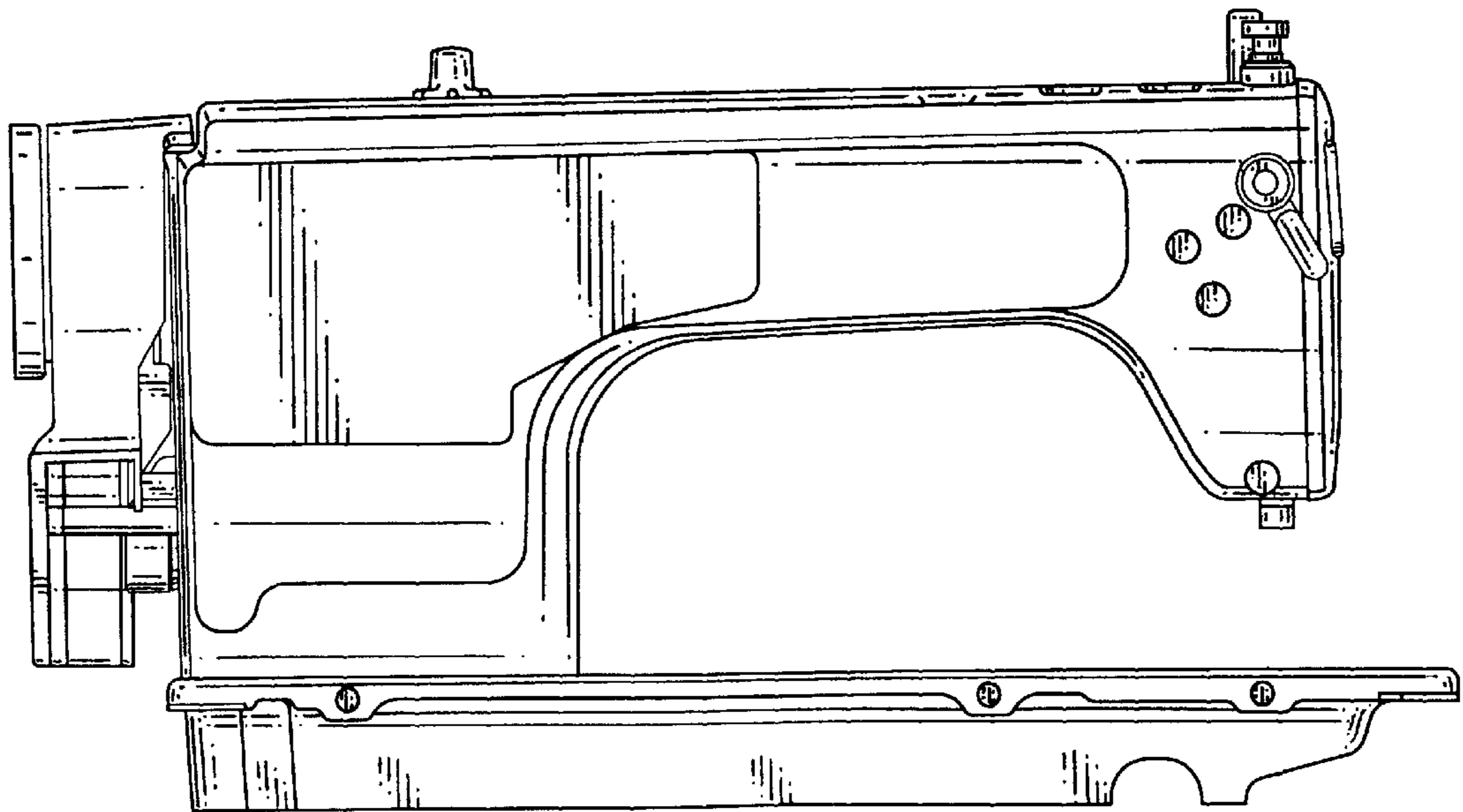


FIG. 2

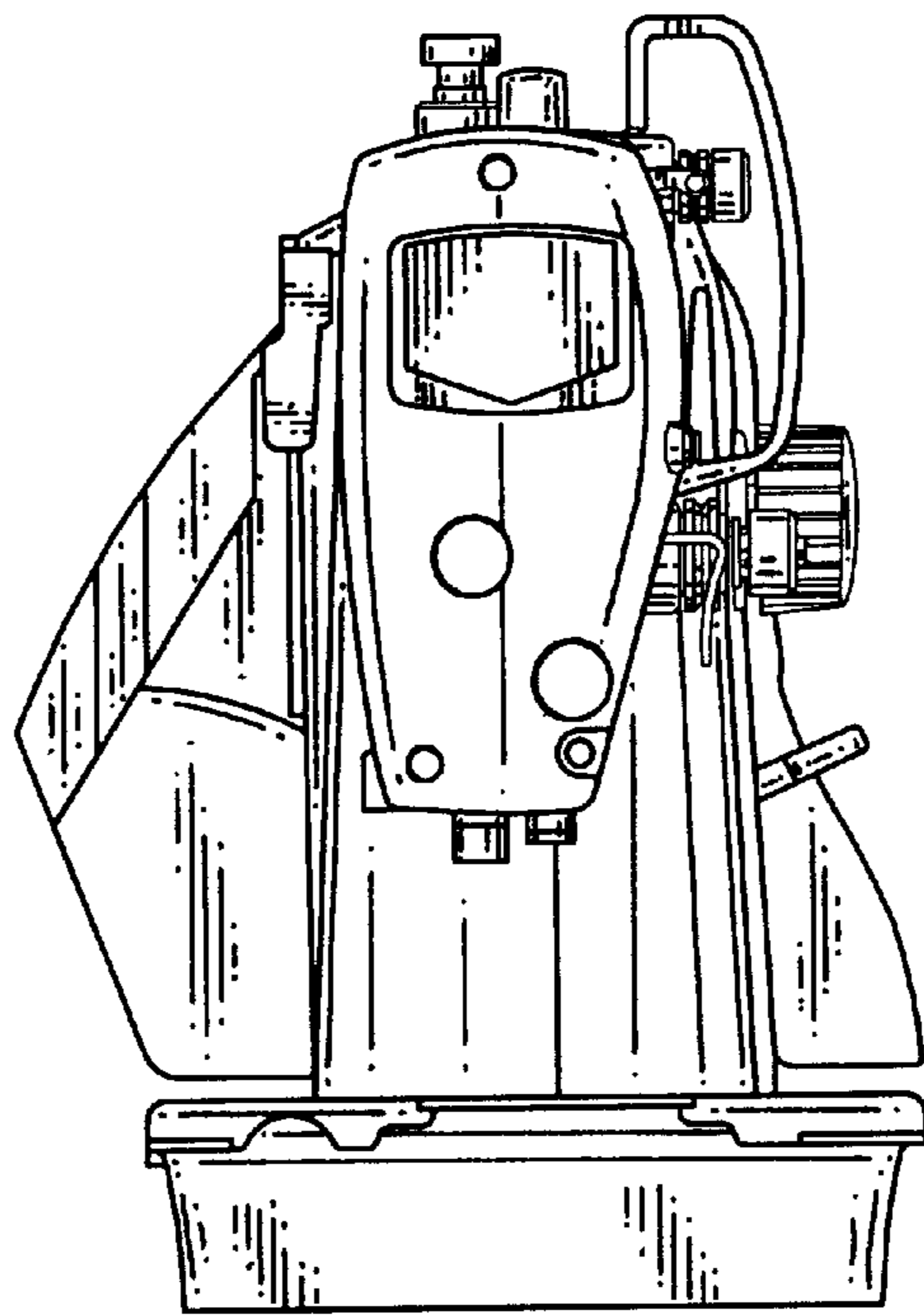


FIG. 3

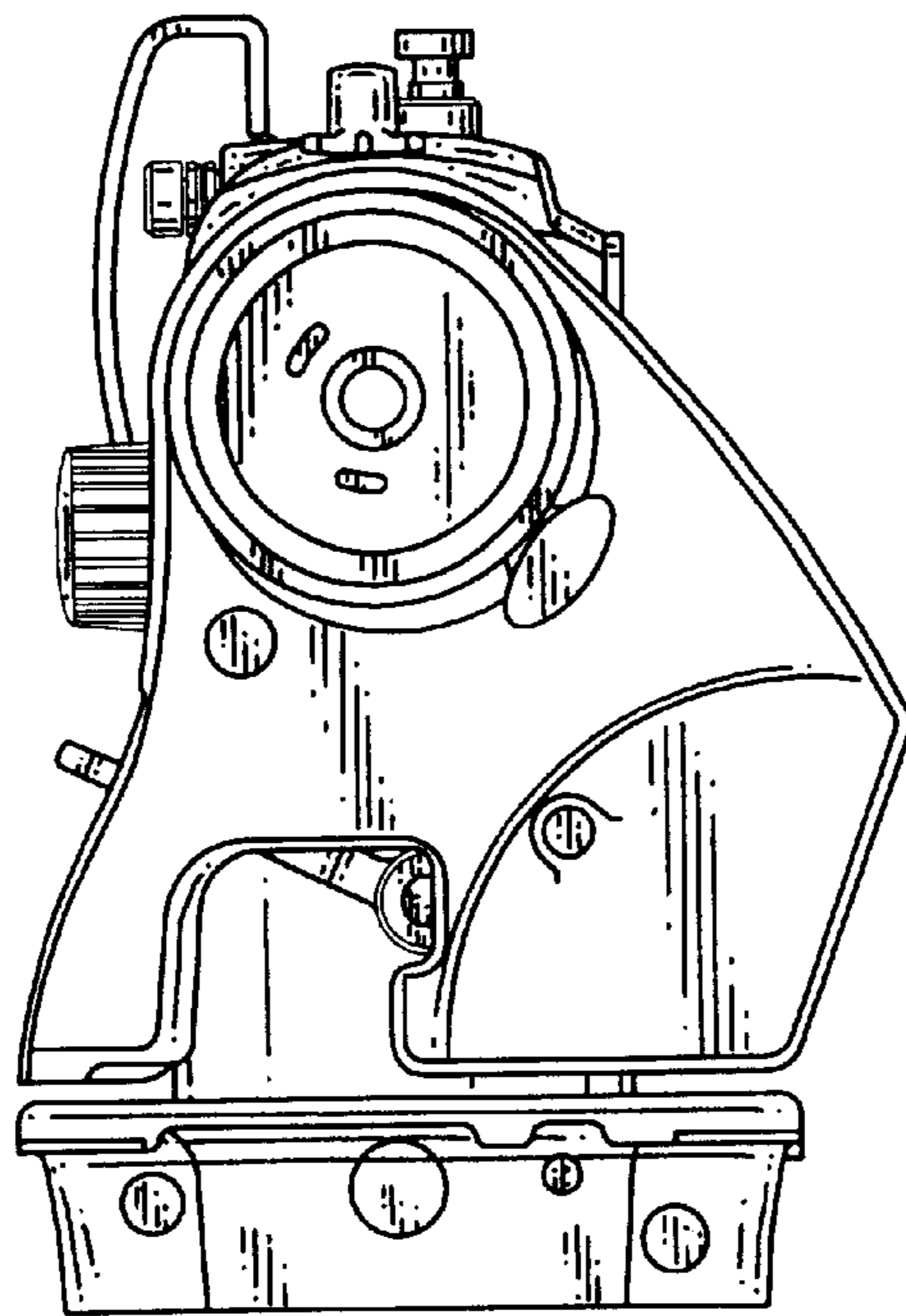


FIG. 4

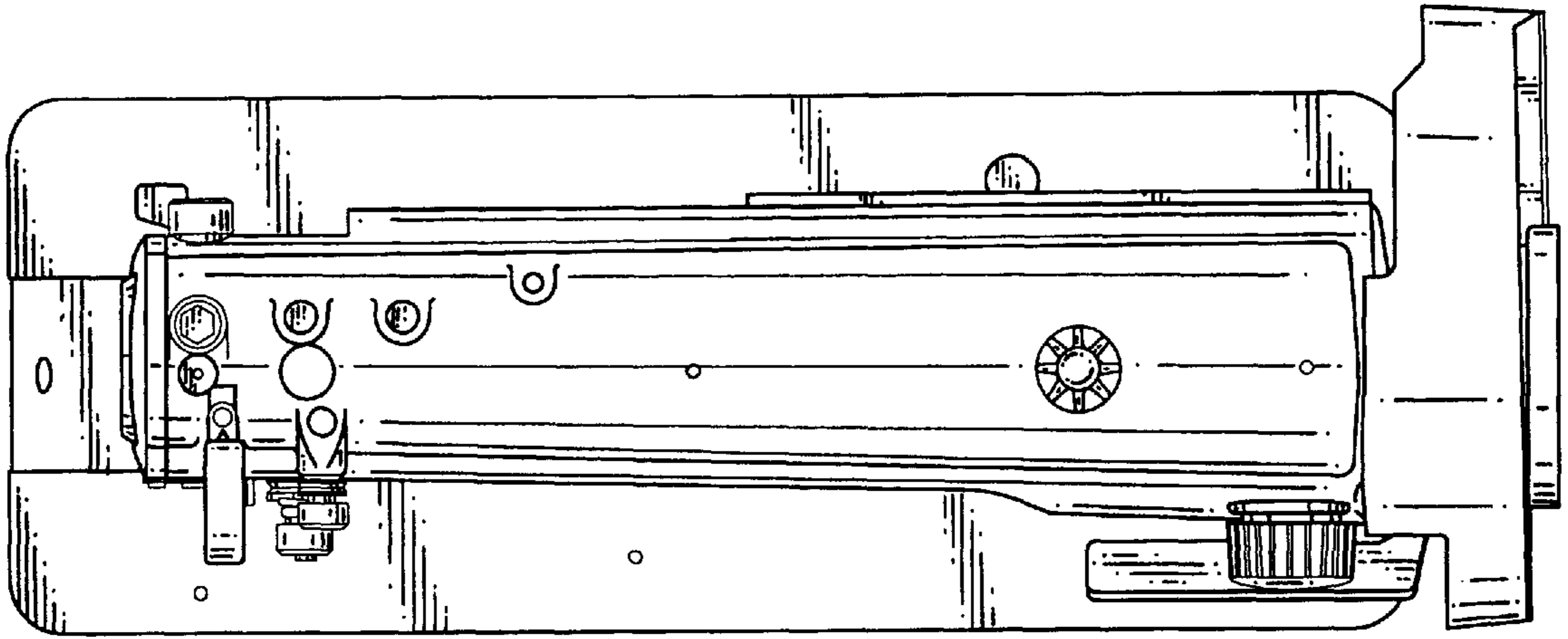


FIG.5

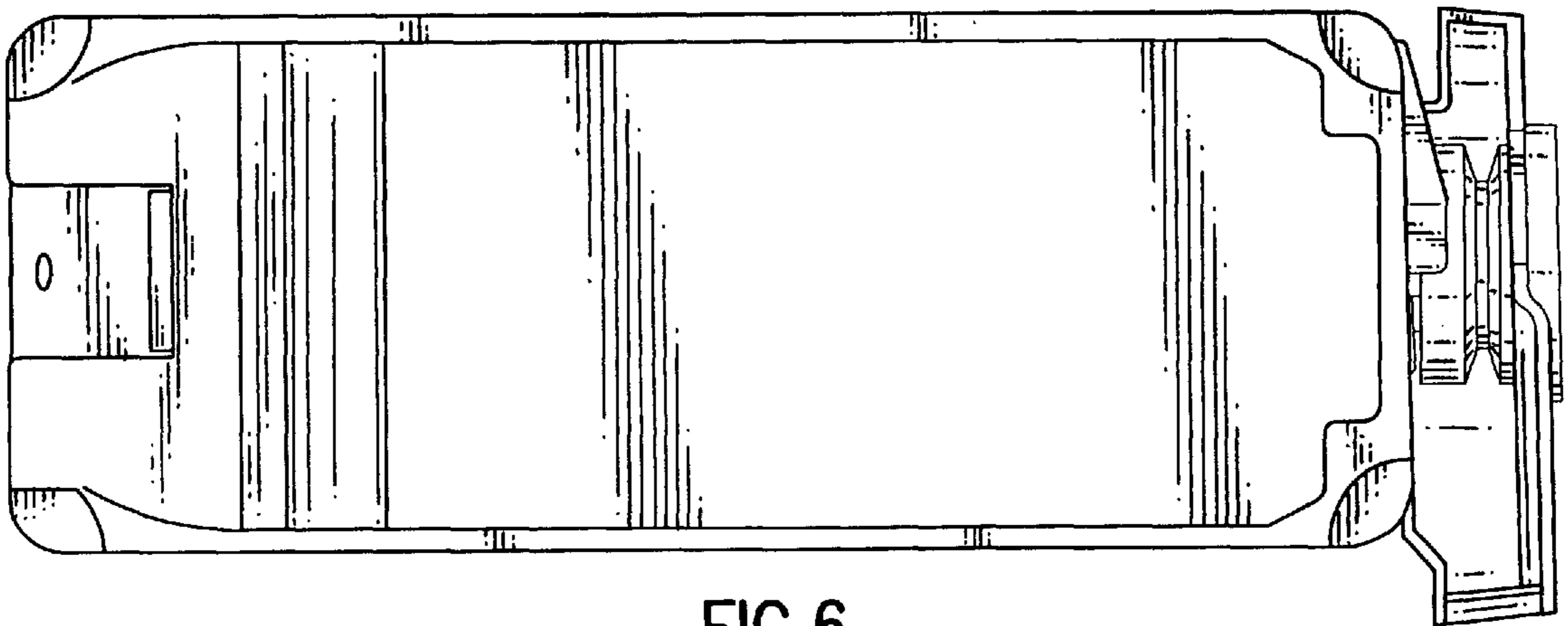


FIG.6

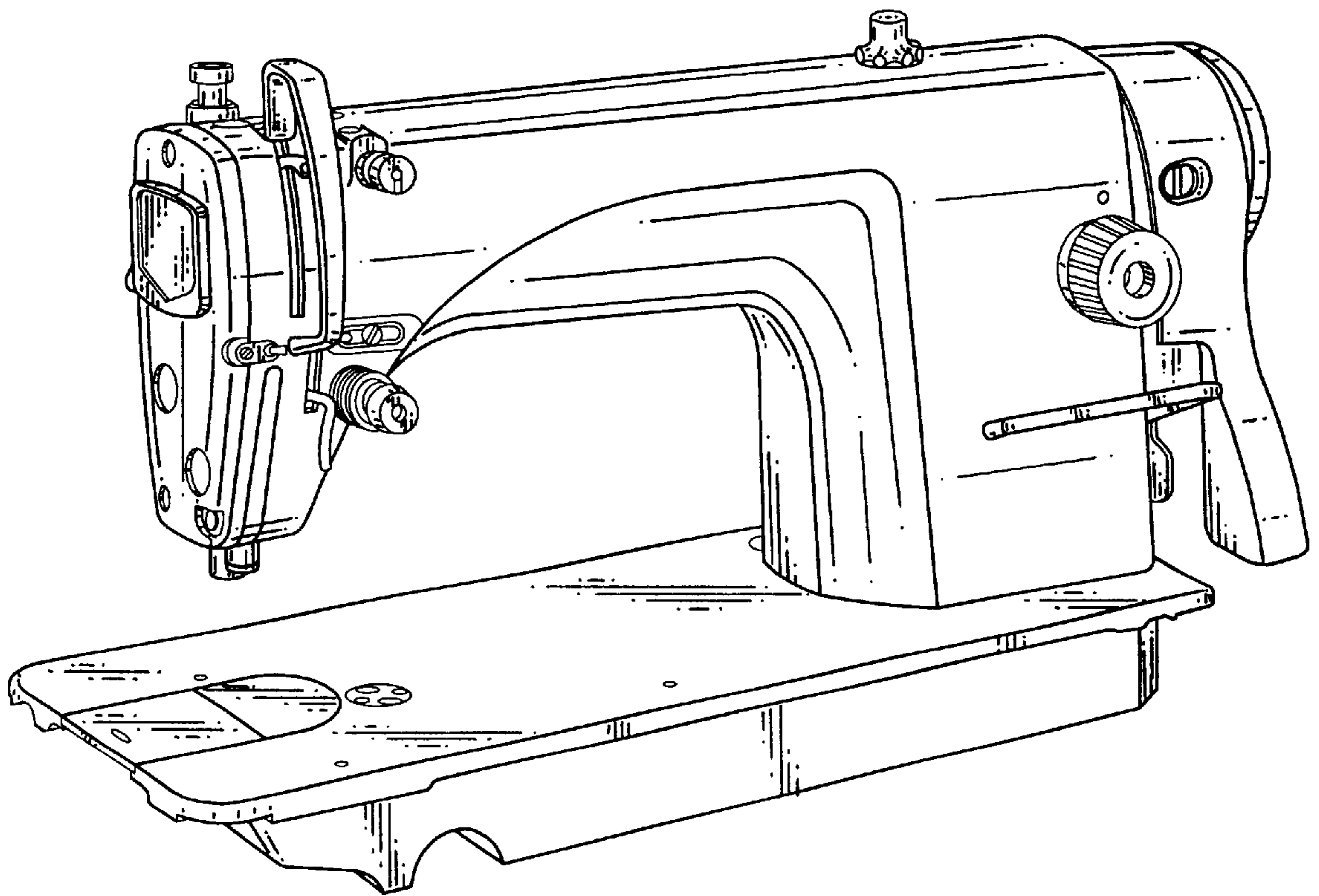


FIG. 7

FIG. 8

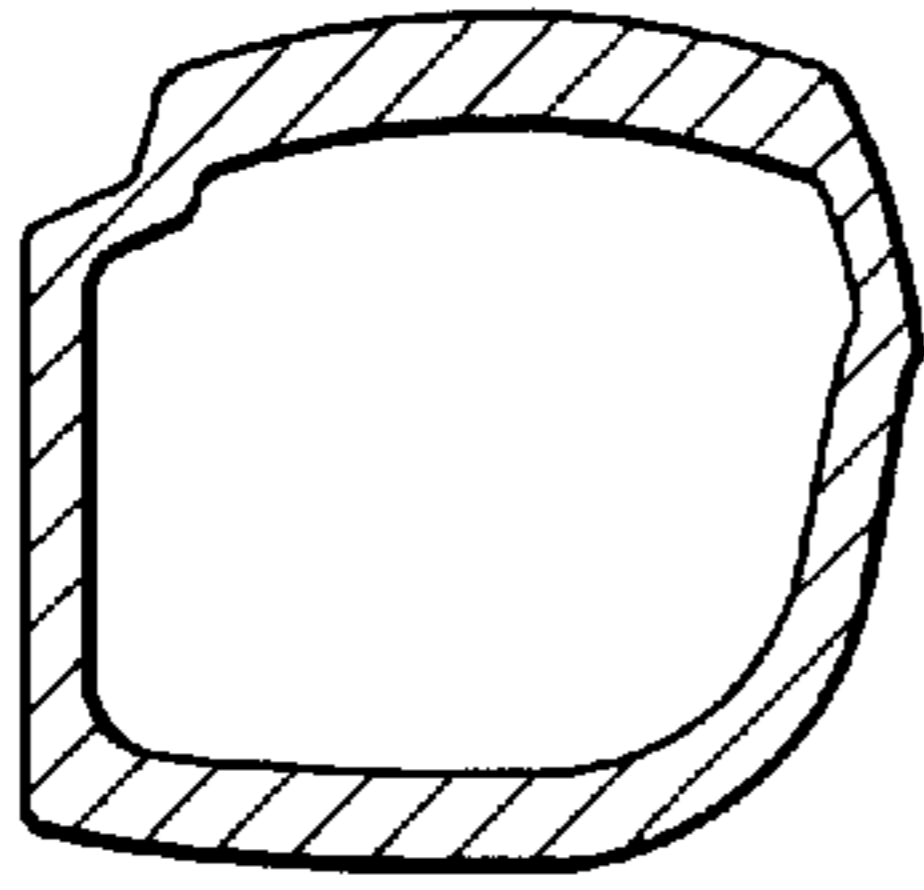


FIG. 9

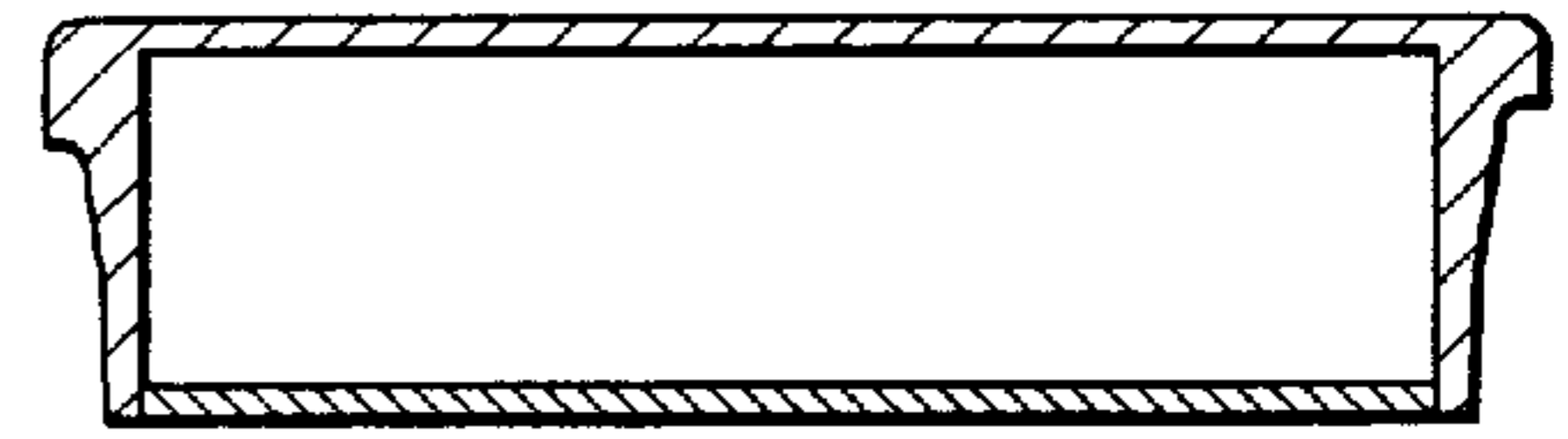
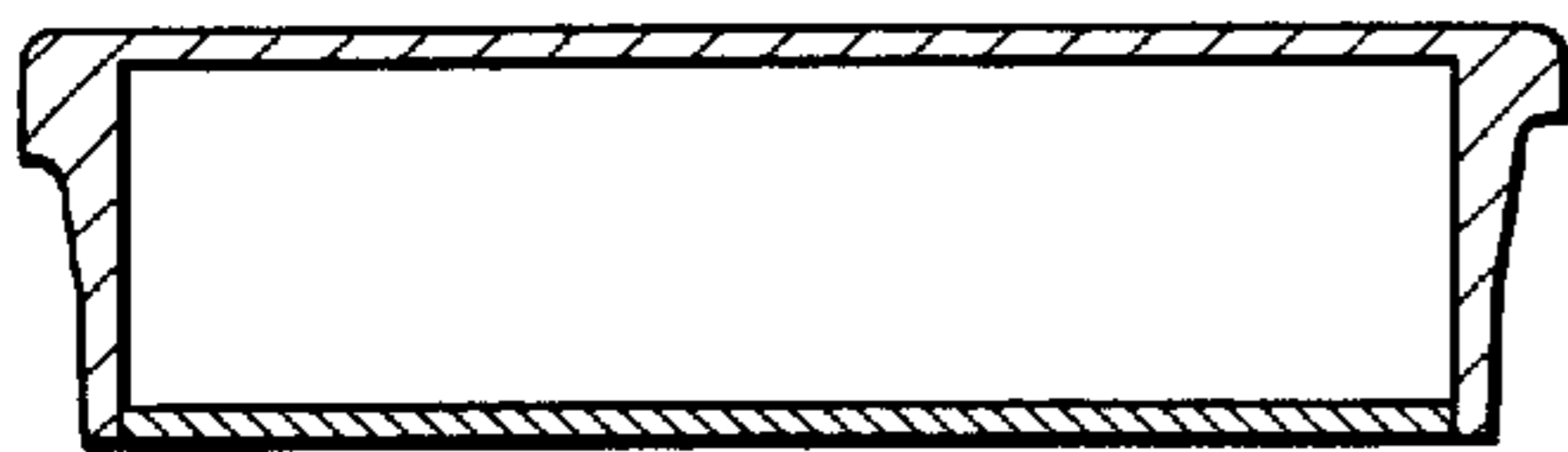
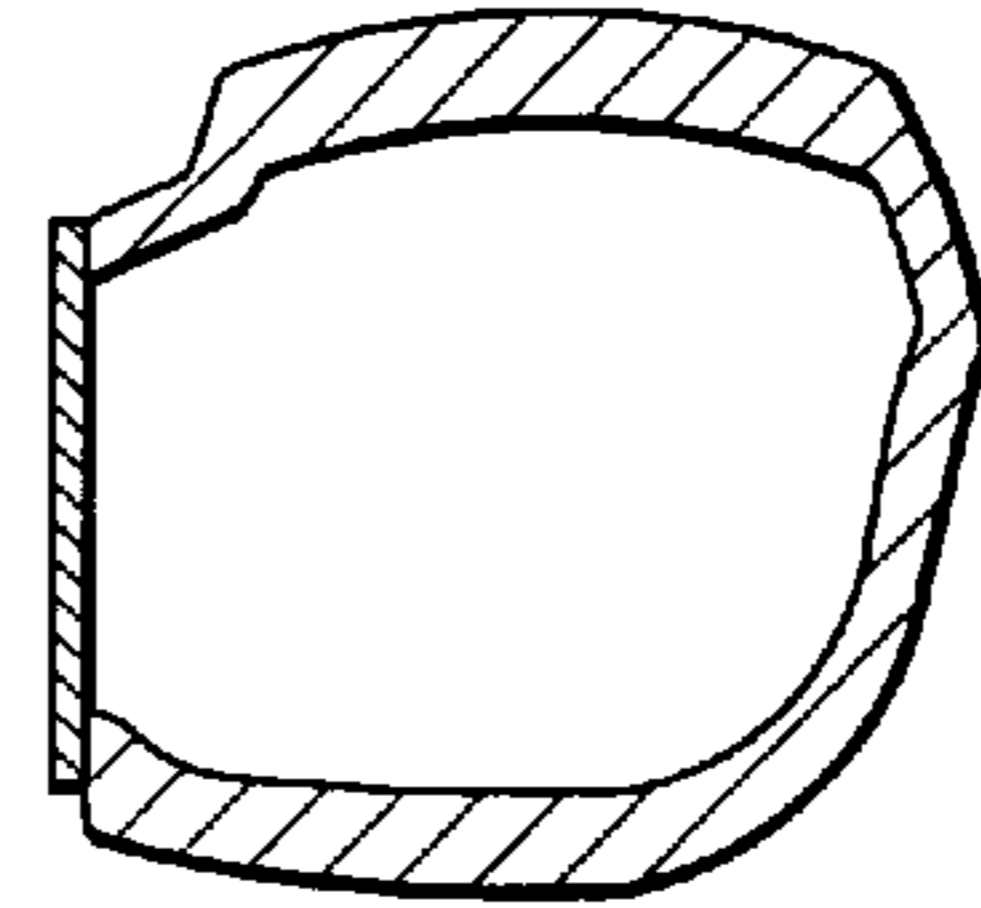


FIG. 10

