



US00D467941S

(12) **United States Design Patent**
Duncan

(10) **Patent No.:** **US D467,941 S**

(45) **Date of Patent:** **** Dec. 31, 2002**

(54) **AIR PUMP**

(76) **Inventor:** **James McKay Duncan**, 237 Mount
Lucas Rd., Princeton, NJ (US) 08540

(**) **Term:** **14 Years**

(21) **Appl. No.:** **29/131,745**

(22) **Filed:** **Oct. 27, 2000**

(51) **LOC (7) Cl.** **15-01**

(52) **U.S. Cl.** **D15/7**

(58) **Field of Search** D15/7-9.1; D23/259;
138/33; 285/24, 156, 8, 41, 61, 155, 292,
392, 423, 148.13; 137/208; 221/61; 417/234,
368

(56) **References Cited**

U.S. PATENT DOCUMENTS

D248,396 S	*	7/1978	Sendak	D15/7
D336,090 S	*	6/1993	Lacorazza	D15/7
D342,263 S	*	12/1993	Harrell, Jr.	D15/7
D348,677 S	*	7/1994	Phillips et al.	D15/7
D358,397 S	*	5/1995	Phillips et al.	D15/7
D400,892 S	*	11/1998	Williams	D15/9
D405,097 S	*	2/1999	Wong	D15/7
D415,500 S	*	10/1999	Poon	D15/7
D423,519 S	*	4/2000	Bonzer	D15/9

* cited by examiner

Primary Examiner—Ralf Seifert

(74) *Attorney, Agent, or Firm*—Levisohn, Lerner, Berger &
Langsam, LLP

(57) **CLAIM**

The air pump, as shown and described in the drawings.

DESCRIPTION

FIG. 1 is a front elevational view of the air pump of this invention.

FIG. 2 is a rear elevational view of the air pump of this invention.

FIG. 3 is a right side elevational view of the air pump of this invention.

FIG. 4 is a left side elevational view of the air pump of this invention.

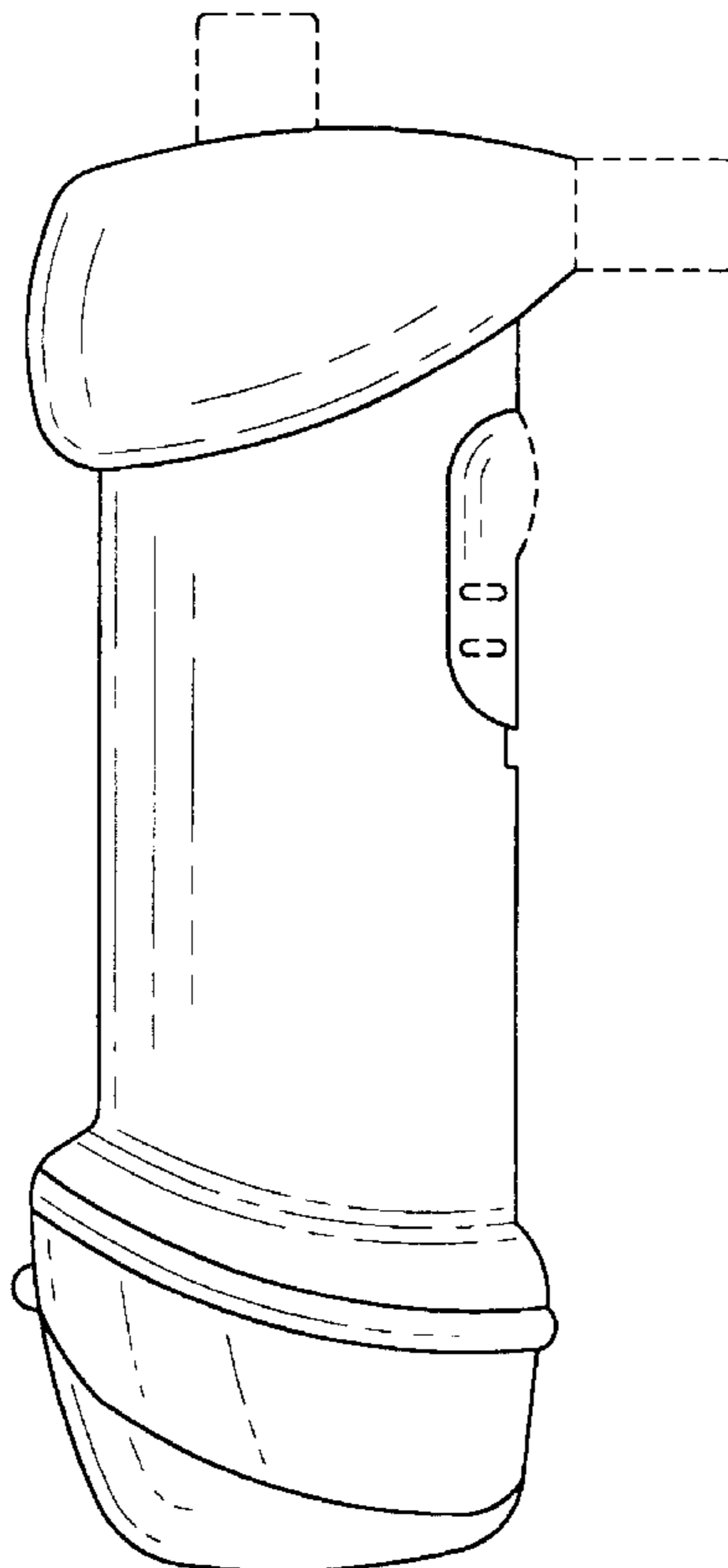
FIG. 5 is a top elevational view of the air pump of this invention.

FIG. 6 is a bottom elevational view of the air pump of this invention; and,

FIG. 7 is a right perspective view of the air pump of this invention.

The portions of the invention in dotted lines are for illustrative purposes only and form no part of the claimed invention. Specifically, the top and front cylindrical projections, the five screw holes on the left side, and the four air holes on the front sliding plate are for illustrative purposes only and form no part of the claimed invention.

1 Claim, 6 Drawing Sheets



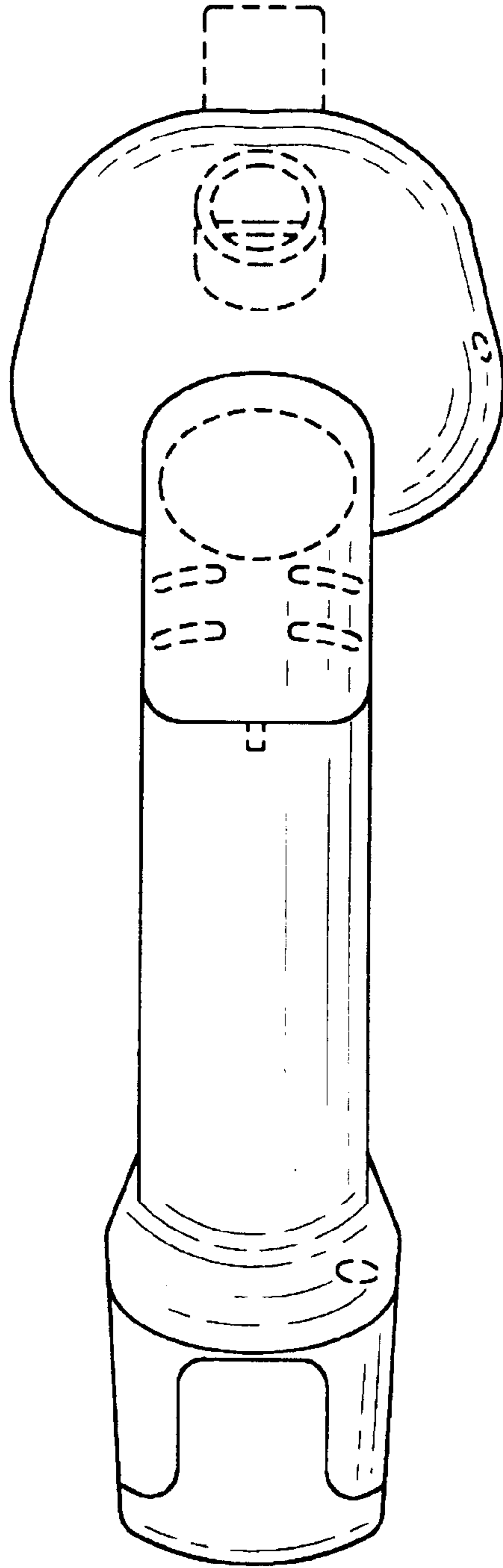


FIG. 1

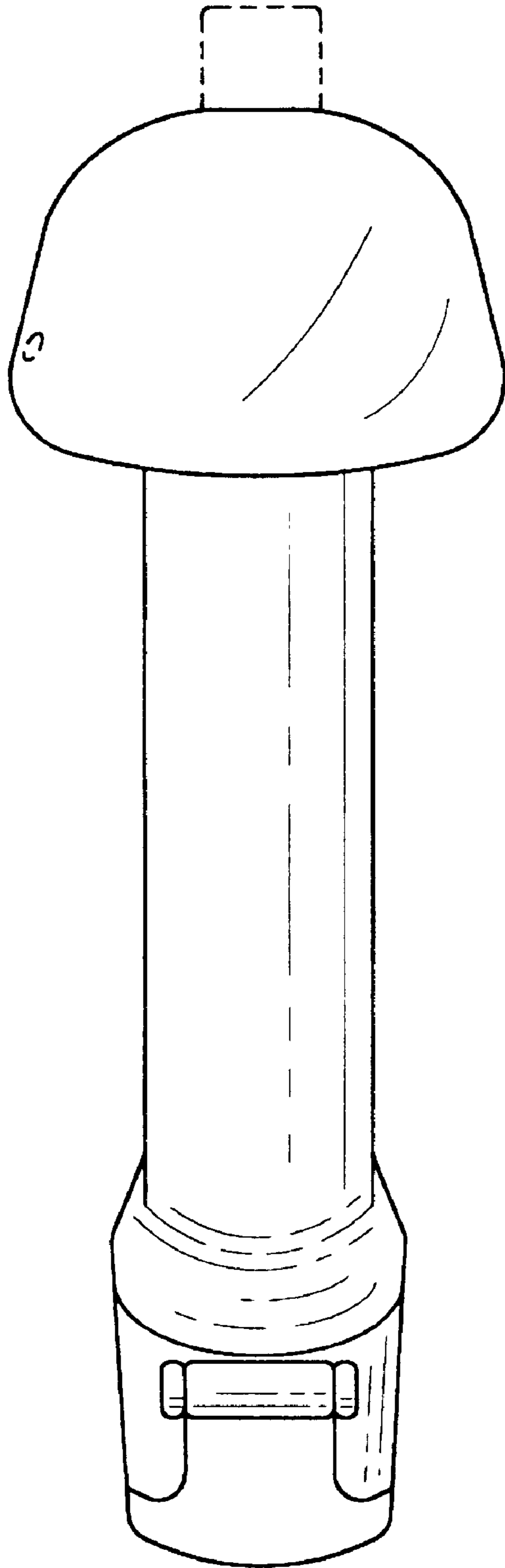


FIG. 2

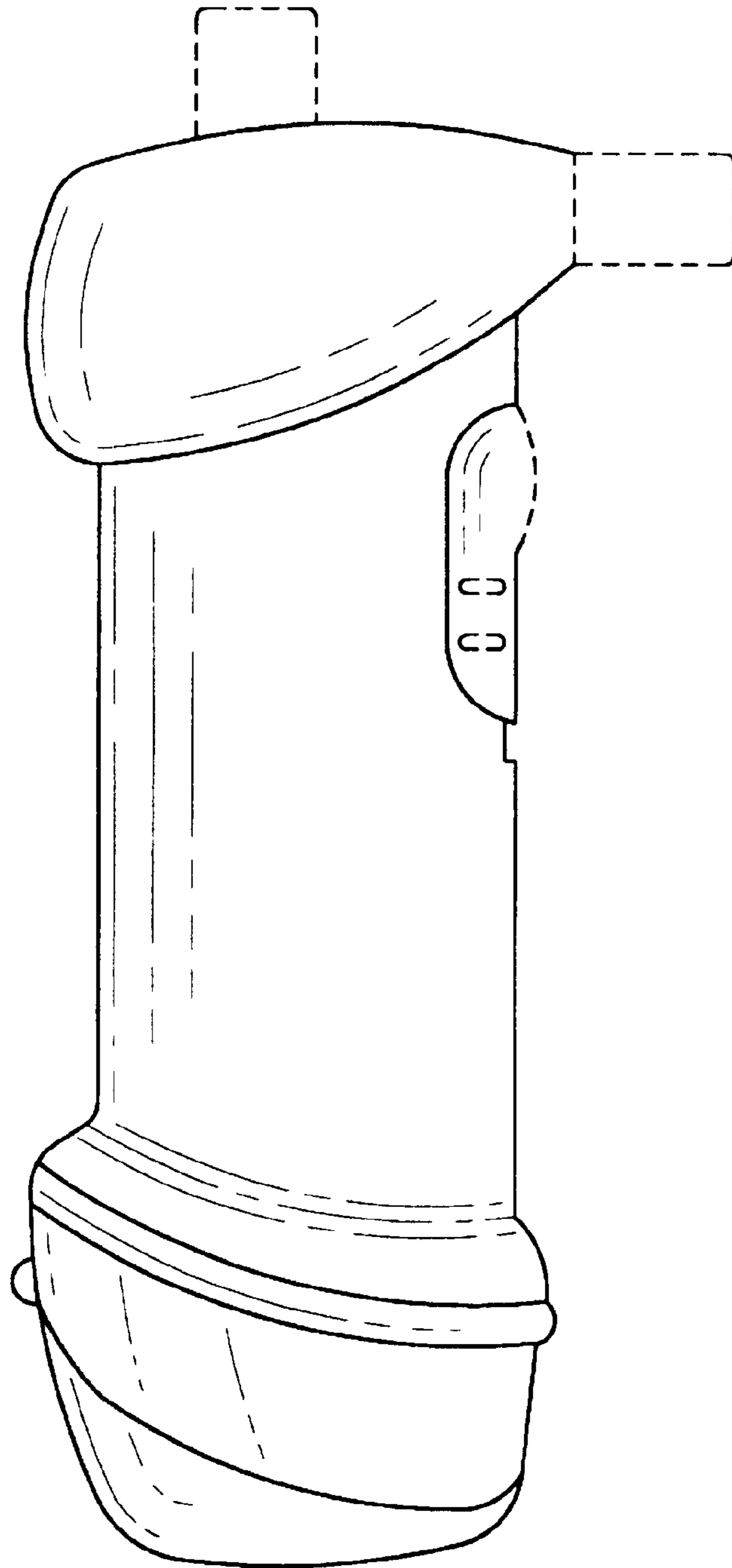


FIG. 3

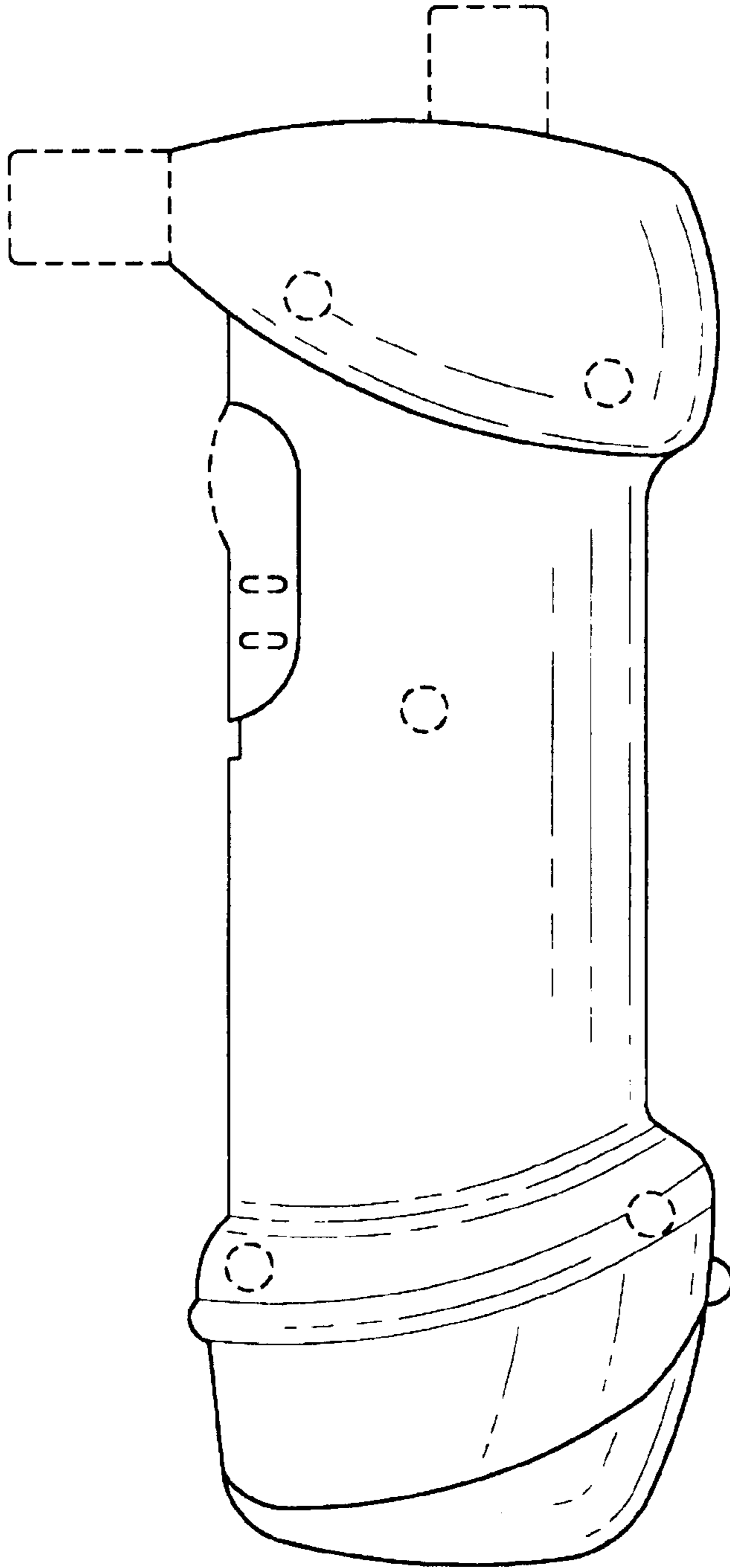


FIG. 4

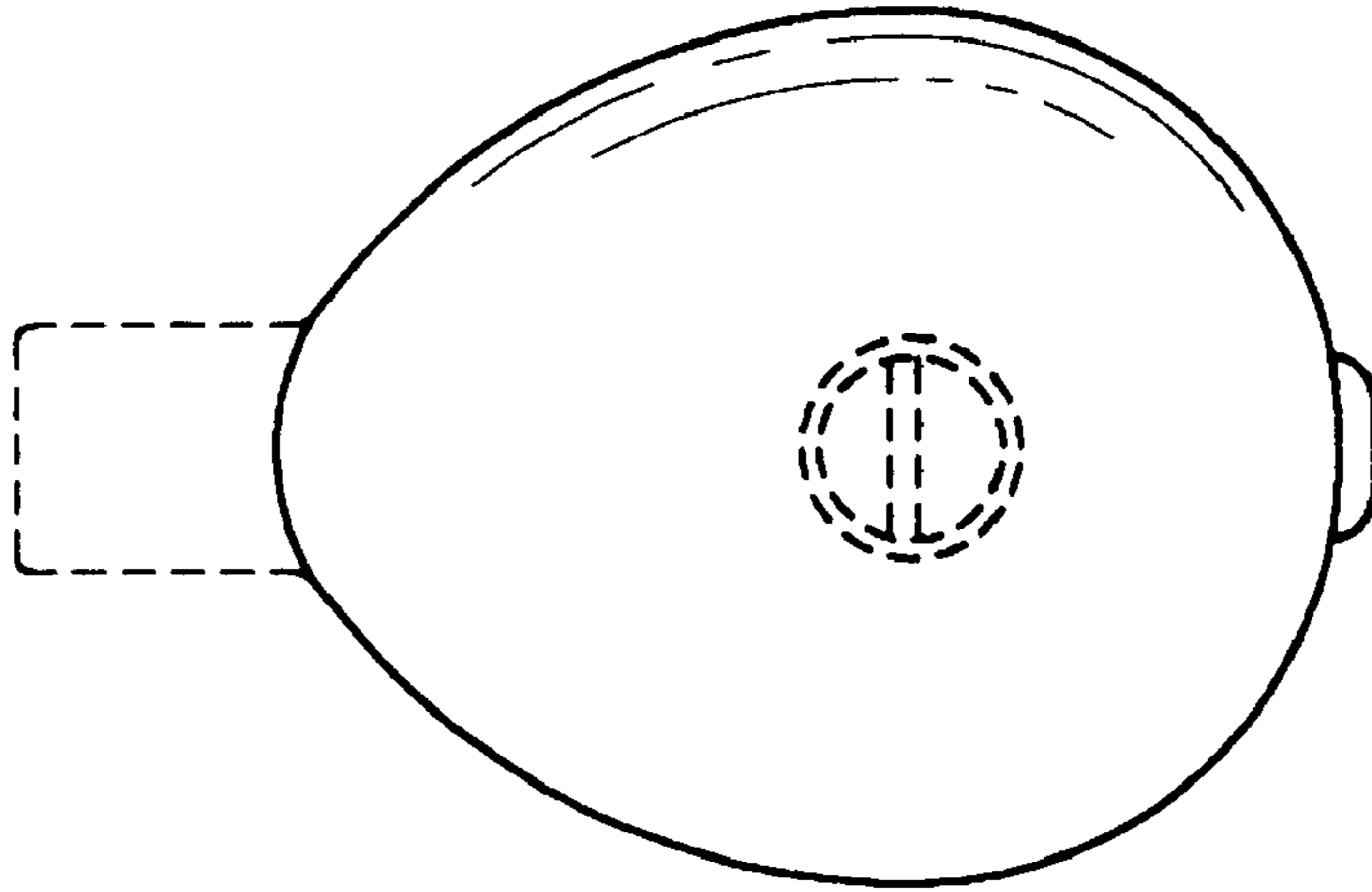


FIG. 5

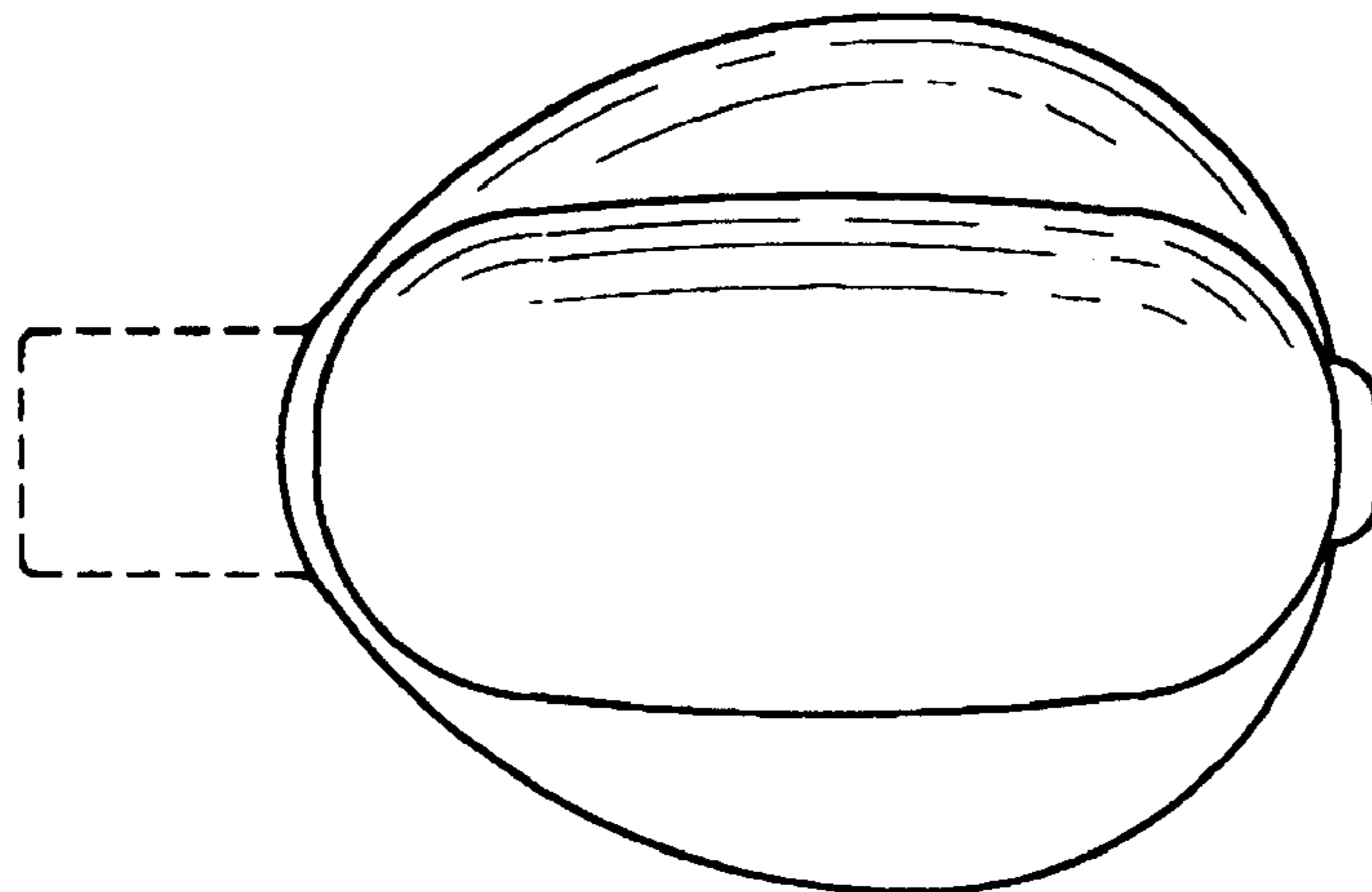


FIG. 6

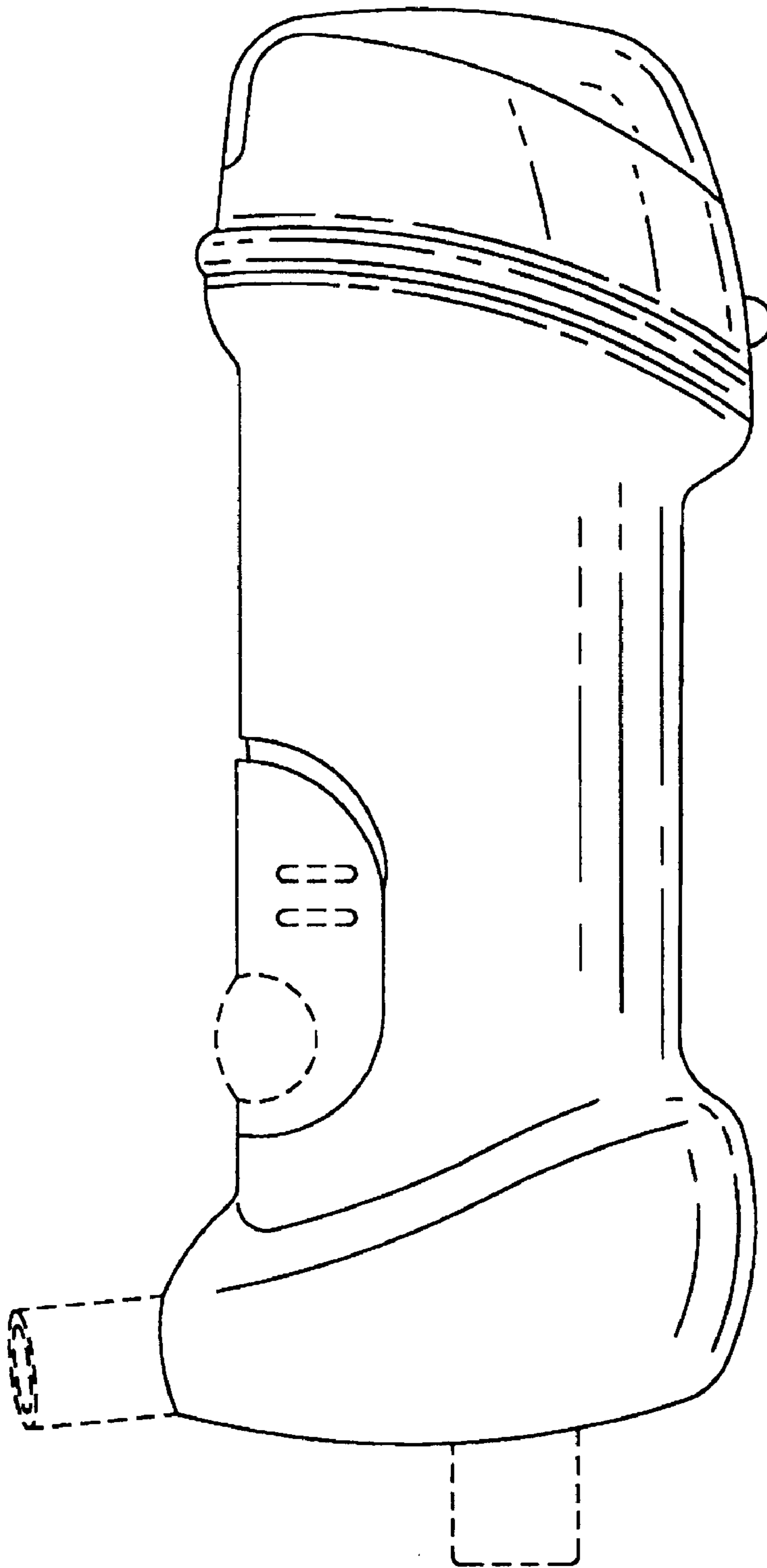


FIG. 7