



US00D467940S

(12) **United States Design Patent**
Kinsey et al.

(10) **Patent No.:** **US D467,940 S**

(45) **Date of Patent:** **** Dec. 31, 2002**

(54) **CYLINDER**

(75) Inventors: **Dan Kinsey**, Lafarge, WI (US); **Scott A. Sjovall**, Westby, WI (US); **Eric Orvis Wangen**, Viola, WI (US)

(73) Assignee: **S & S Cycle, Inc.**, Viola, WI (US)

(**) Term: **14 Years**

(21) Appl. No.: **29/136,632**

(22) Filed: **Feb. 2, 2001**

(51) **LOC (7) Cl.** **15-01**

(52) **U.S. Cl.** **D15/5**

(58) **Field of Search** D15/1-5; D12/107,
D12/114; 123/54.1, 55.1, 197.3, 196 R,
90.61; 184/6.8, 6.9

(56) **References Cited**

U.S. PATENT DOCUMENTS

D277,756 S	2/1985	Davidson	
D279,294 S	6/1985	Davidson	
D280,200 S	8/1985	Iwakura et al.	
D283,995 S	5/1986	Kohama et al.	
D294,264 S	2/1988	Davidson et al.	
5,983,849 A	11/1999	Wangen et al.	
6,065,457 A	5/2000	Hoffmann et al.	
D432,546 S	10/2000	Savage et al.	
D434,047 S	* 11/2000	Ballentine D15/1

D436,112 S	1/2001	Savage et al.	
D437,572 S	* 2/2001	Rodriguez D12/163
D449,620 S	* 10/2001	Feyling D15/1

OTHER PUBLICATIONS

RevTech™ Cylinder Heads, *Custom Chrome Catalog*, p. 312 (1994).

RevTech™ Cylinder Heads for Evolution® Motors Without Component Parts, *Custom Chrome Catalog*, p. 314, (1994).

* cited by examiner

Primary Examiner—Melody N. Brown

(74) *Attorney, Agent, or Firm*—Merchant & Gould P.C.

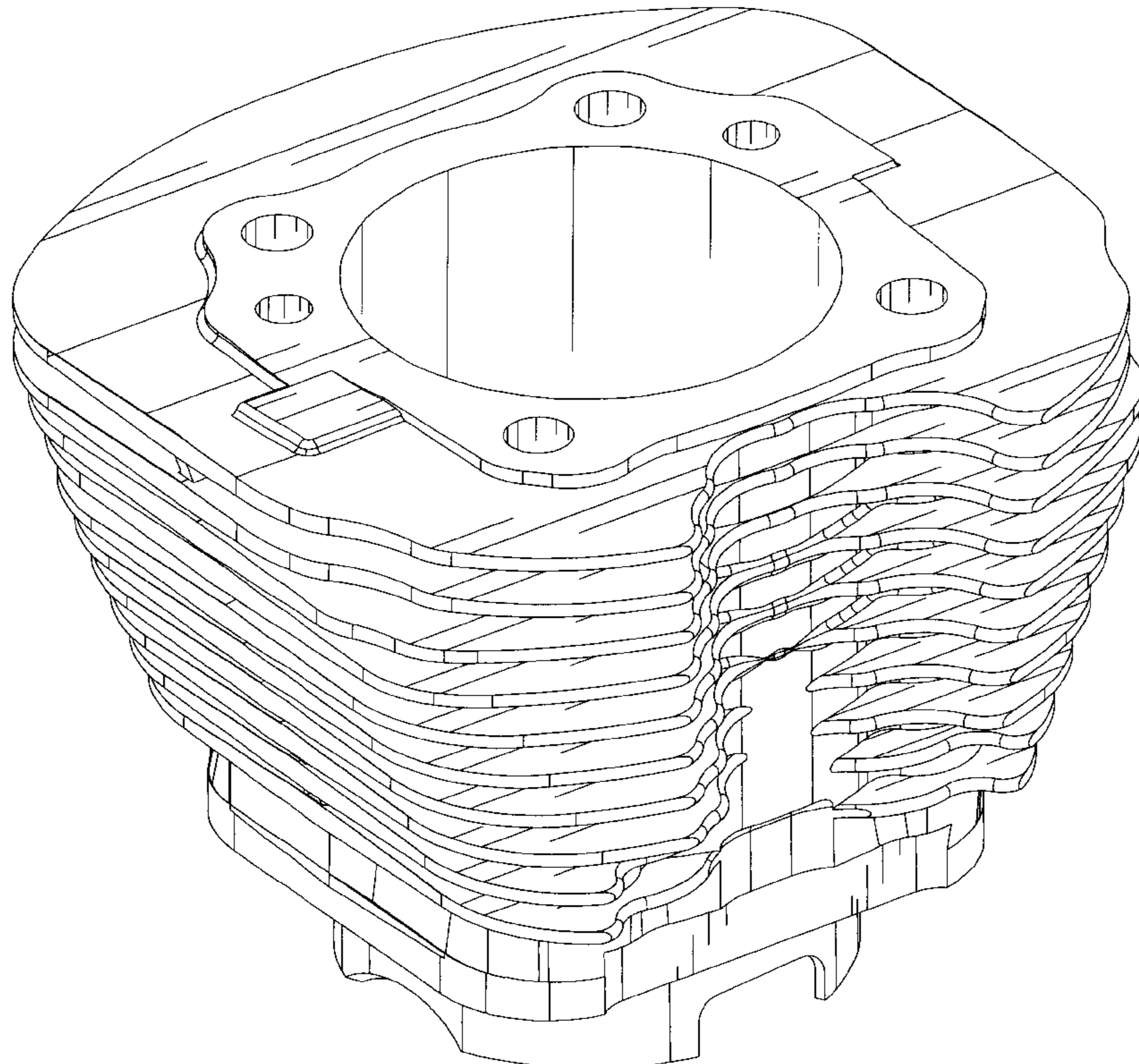
(57) **CLAIM**

The ornamental design for a cylinder, as shown and described.

DESCRIPTION

FIG. 1 is a perspective view of a cylinder according to the principles of the present invention;
FIG. 2 is a front elevational view thereof;
FIG. 3 is a rear elevational view thereof;
FIG. 4 is a right side elevational view thereof;
FIG. 5 is a left side elevational view thereof;
FIG. 6 is a top plan view thereof; and,
FIG. 7 is a bottom plan view thereof.

1 Claim, 7 Drawing Sheets



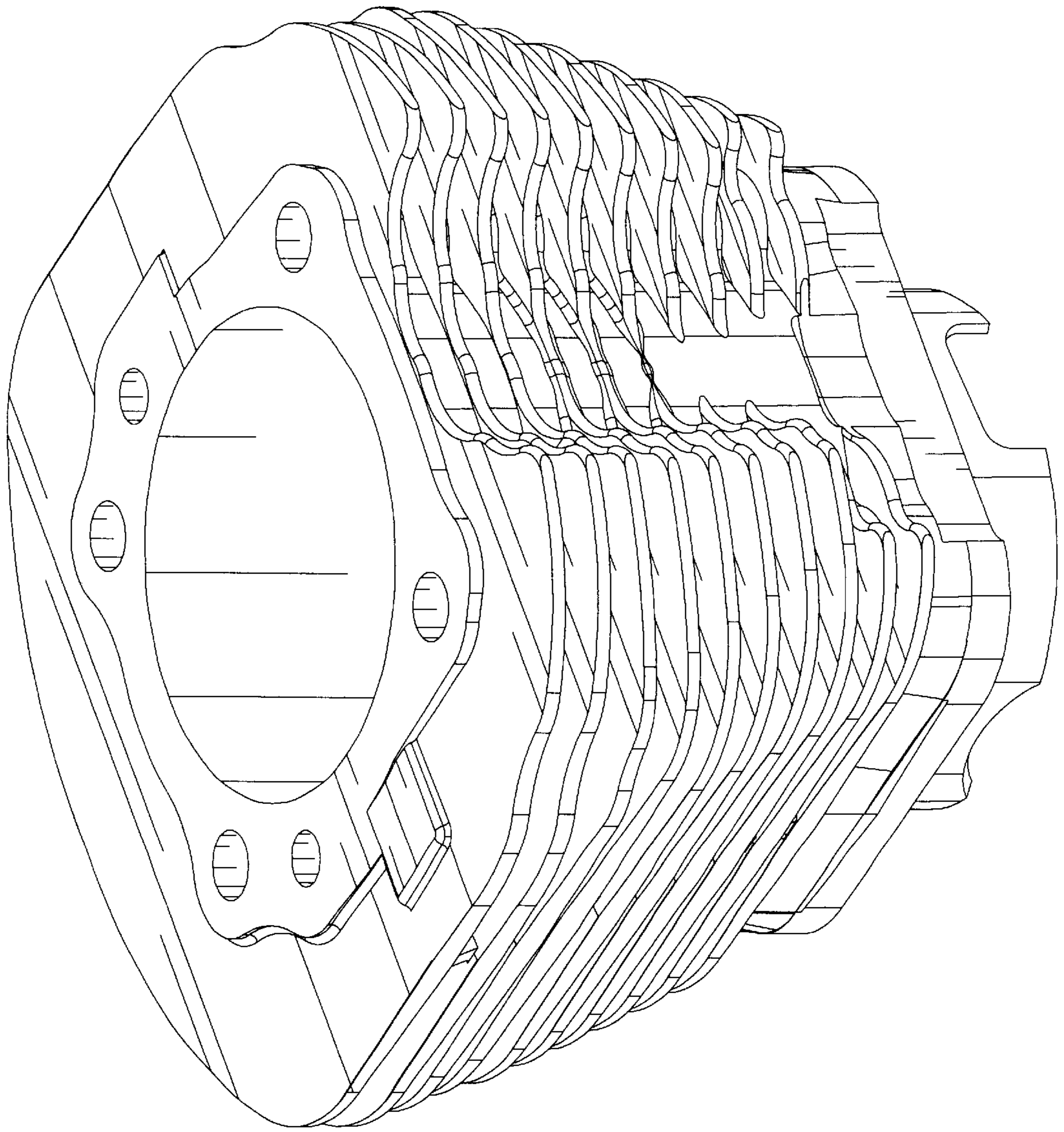


FIG. 1

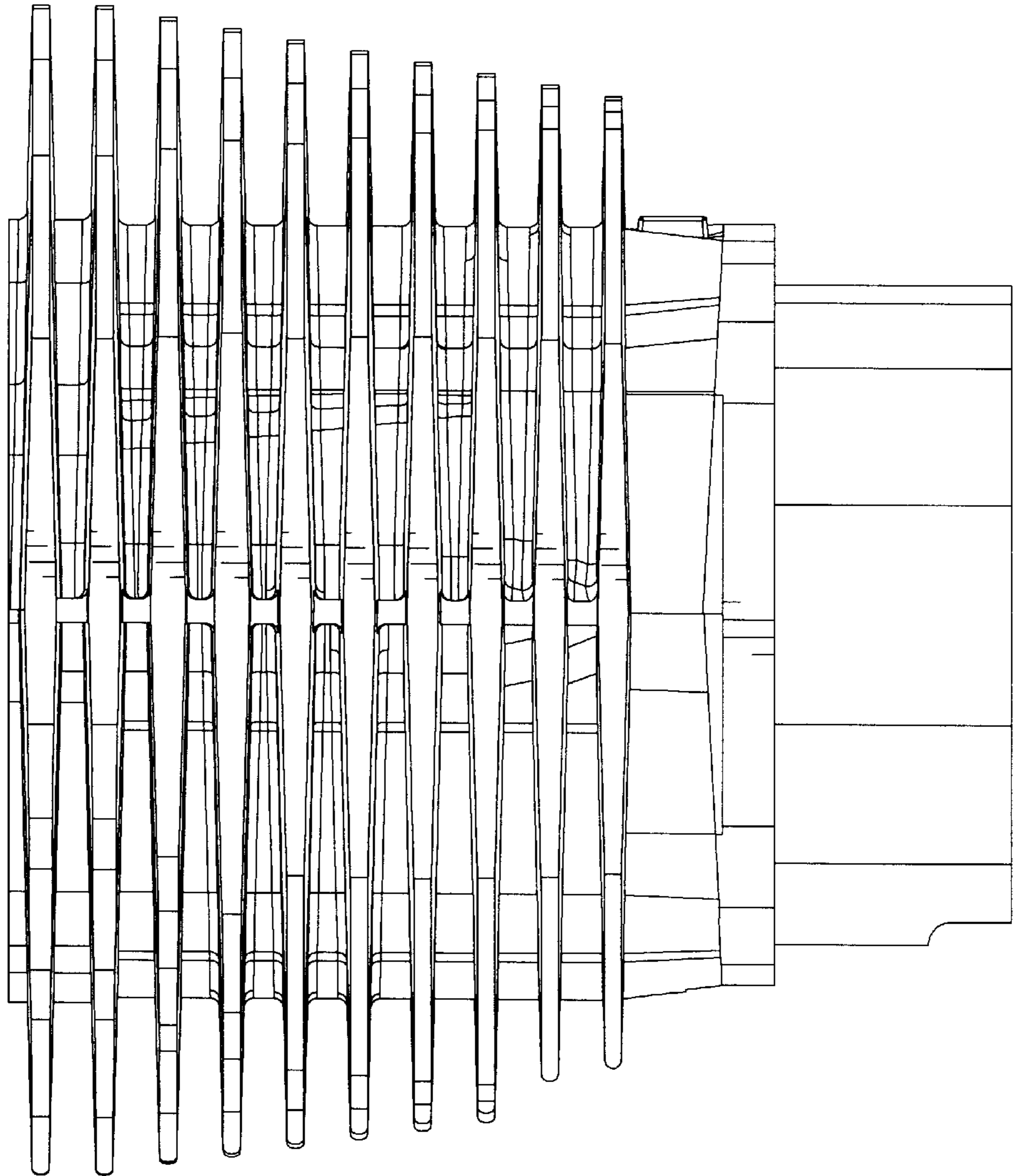


FIG. 2

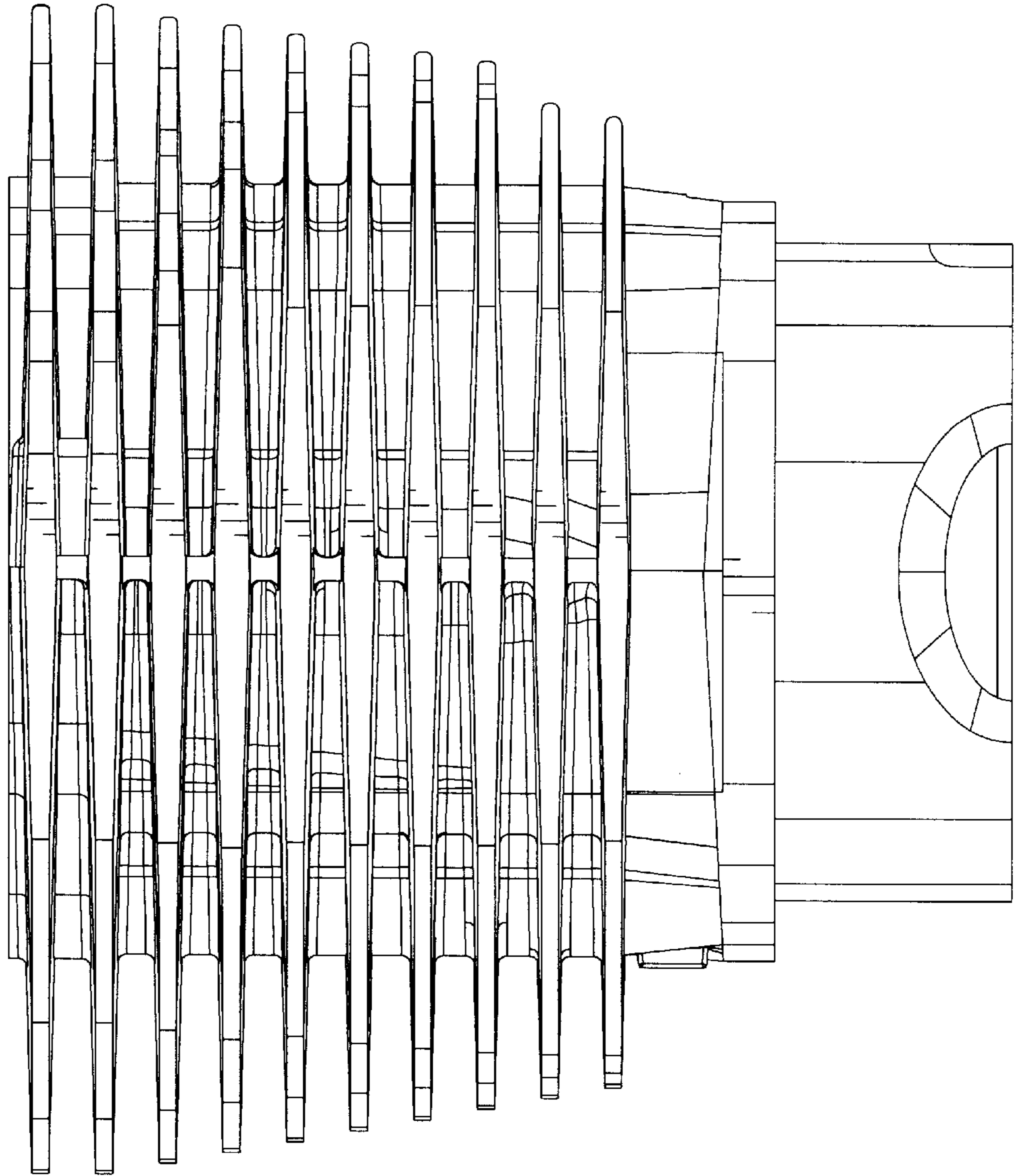


FIG. 3

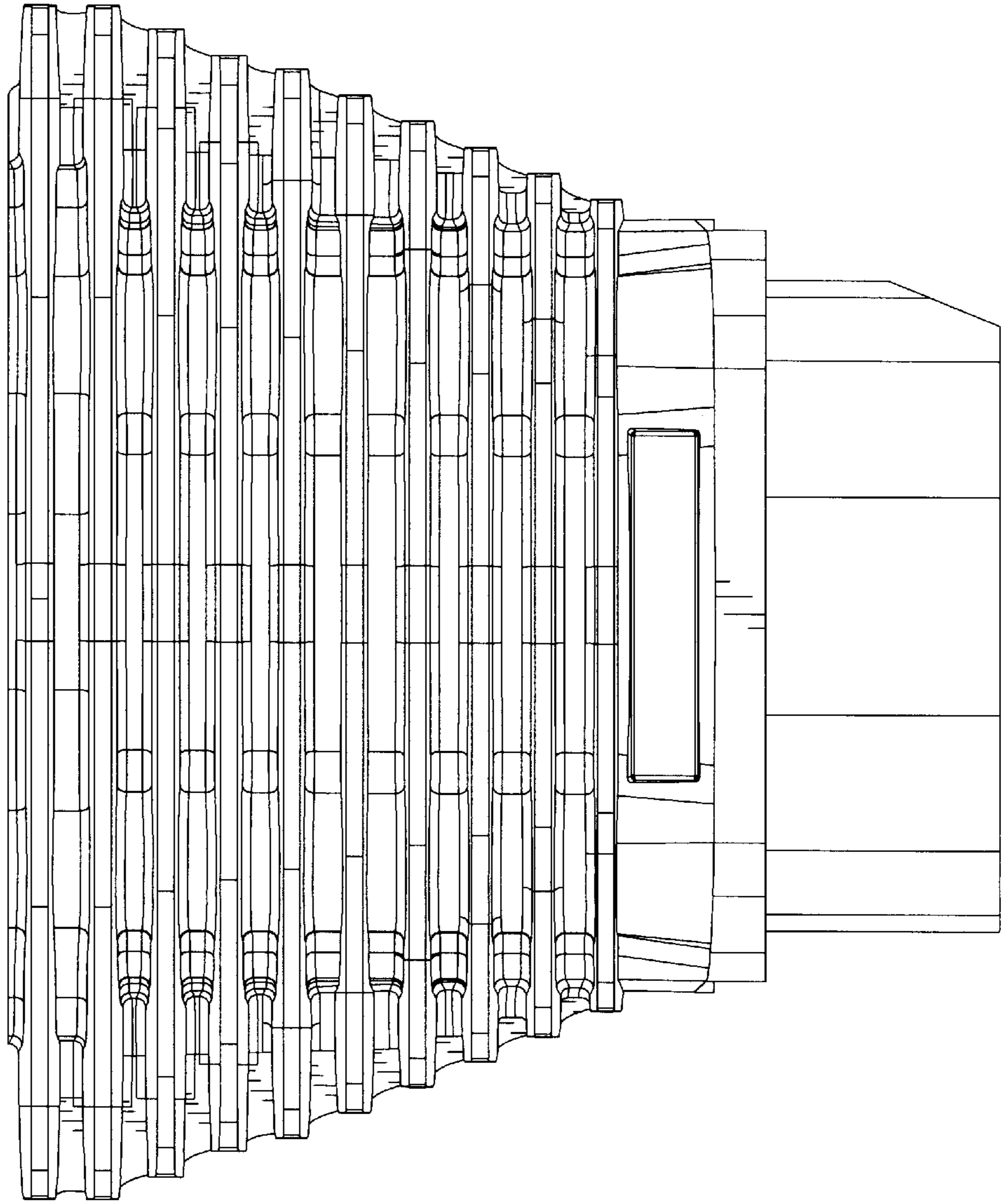


FIG. 4

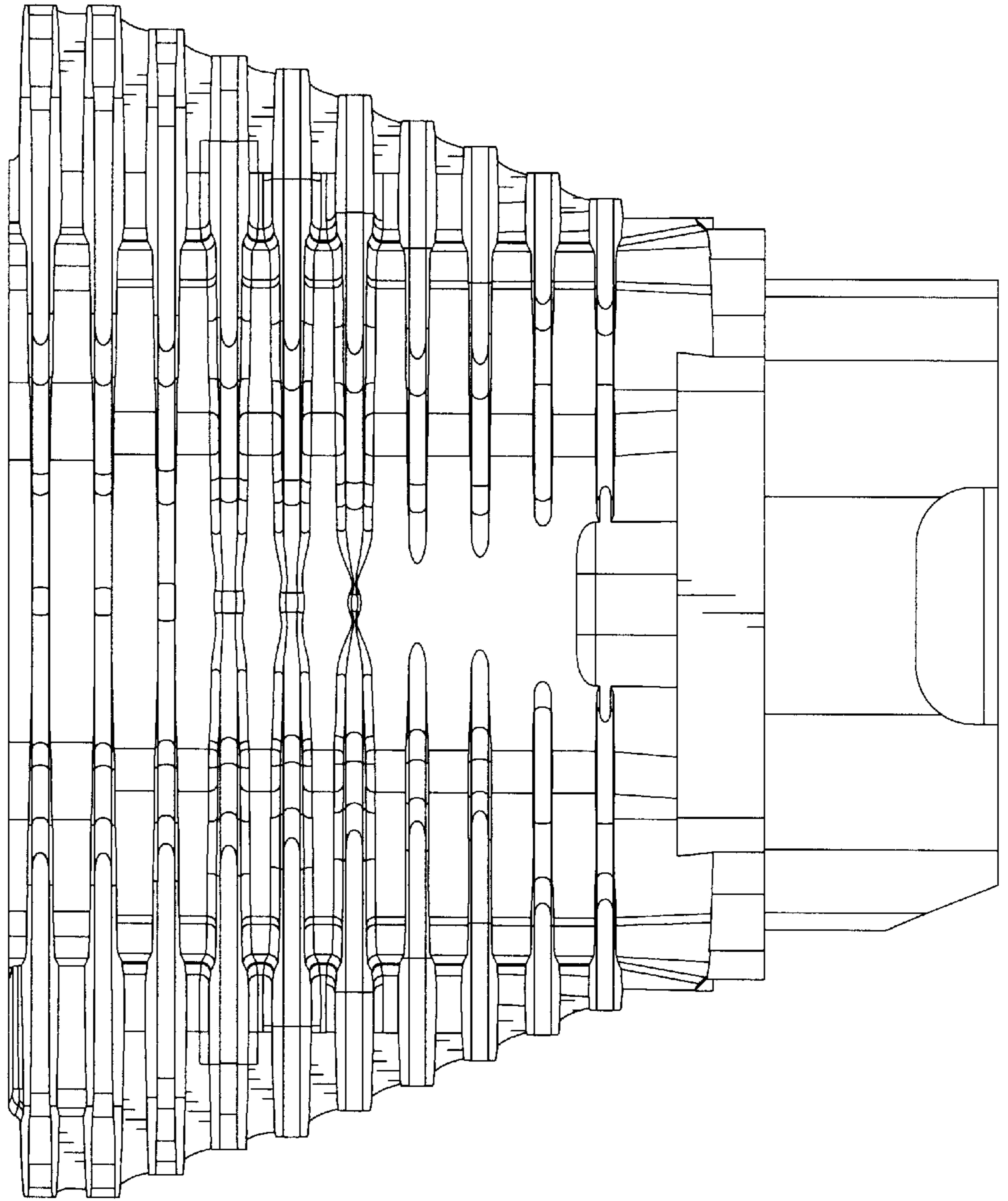


FIG. 5

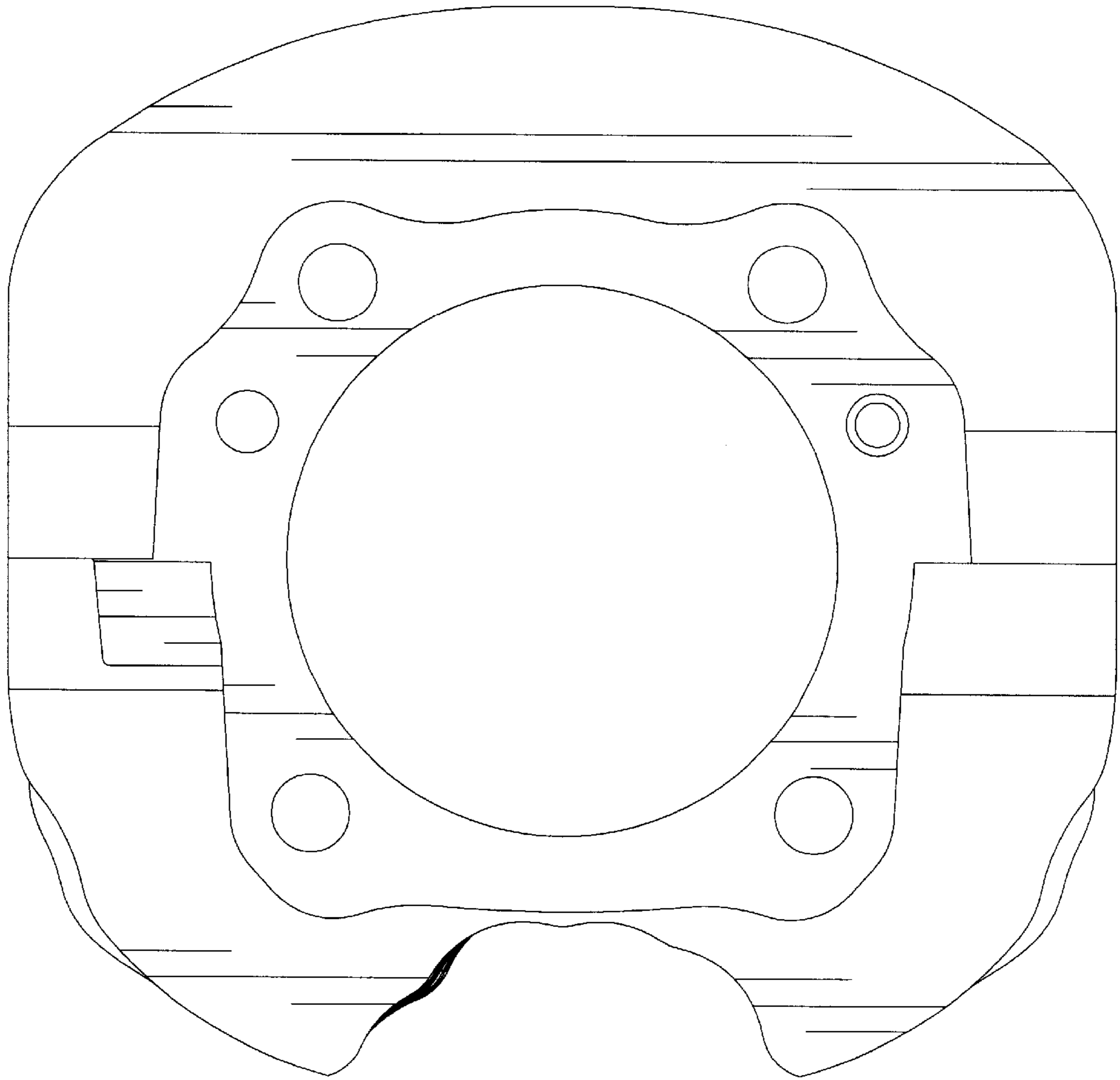


FIG. 6

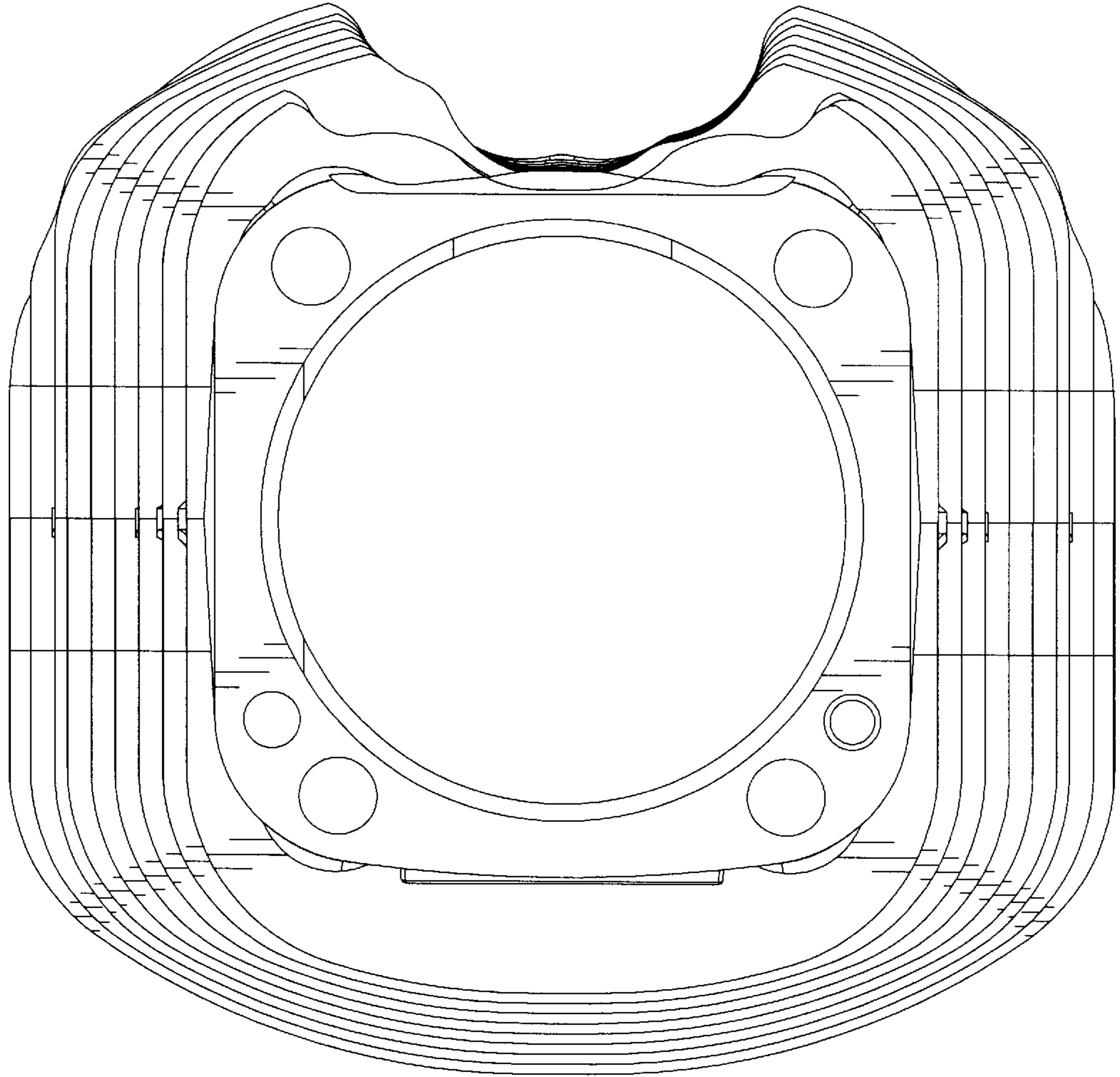


FIG. 7