



US00D467932S

(12) **United States Design Patent**
Jones

(10) **Patent No.:** **US D467,932 S**

(45) **Date of Patent:** **** Dec. 31, 2002**

(54) **DEPRESSIBLE KEY FOR A KEYBOARD**

(75) Inventor: **Gregory G. Jones**, Seattle, WA (US)

(73) Assignee: **Microsoft Corporation**, Redmond, WA (US)

(**) Term: **14 Years**

(21) Appl. No.: **29/160,826**

(22) Filed: **May 17, 2002**

(51) **LOC (7) Cl.** **14-02**

(52) **U.S. Cl.** **D14/456**

(58) **Field of Search** D14/391-399,
D14/455, 456, 247; D18/1, 2, 4, 7; 178/17 A,
17 C; 200/5 A, 5 R, 6 A, 6 R; 345/168;
341/22, 23; 364/708.1; 400/484, 485, 492

(56) **References Cited**

U.S. PATENT DOCUMENTS

D212,865 S	*	12/1968	Bowman	D14/456
D302,149 S	*	7/1989	Ozeki	D12/171
D305,422 S	*	1/1990	Steer et al.	D14/247
D311,913 S	*	11/1990	Schaum	D14/456
D342,057 S	*	12/1993	McGinley	D13/173

5,372,442 A	*	12/1994	Wang	400/490
D360,630 S	*	7/1995	Franz	D14/456
D411,528 S	*	6/1999	Tien	D14/456

* cited by examiner

Primary Examiner—Kay H. Chin

(74) *Attorney, Agent, or Firm*—Banner & Witcoff, Ltd.

(57) **CLAIM**

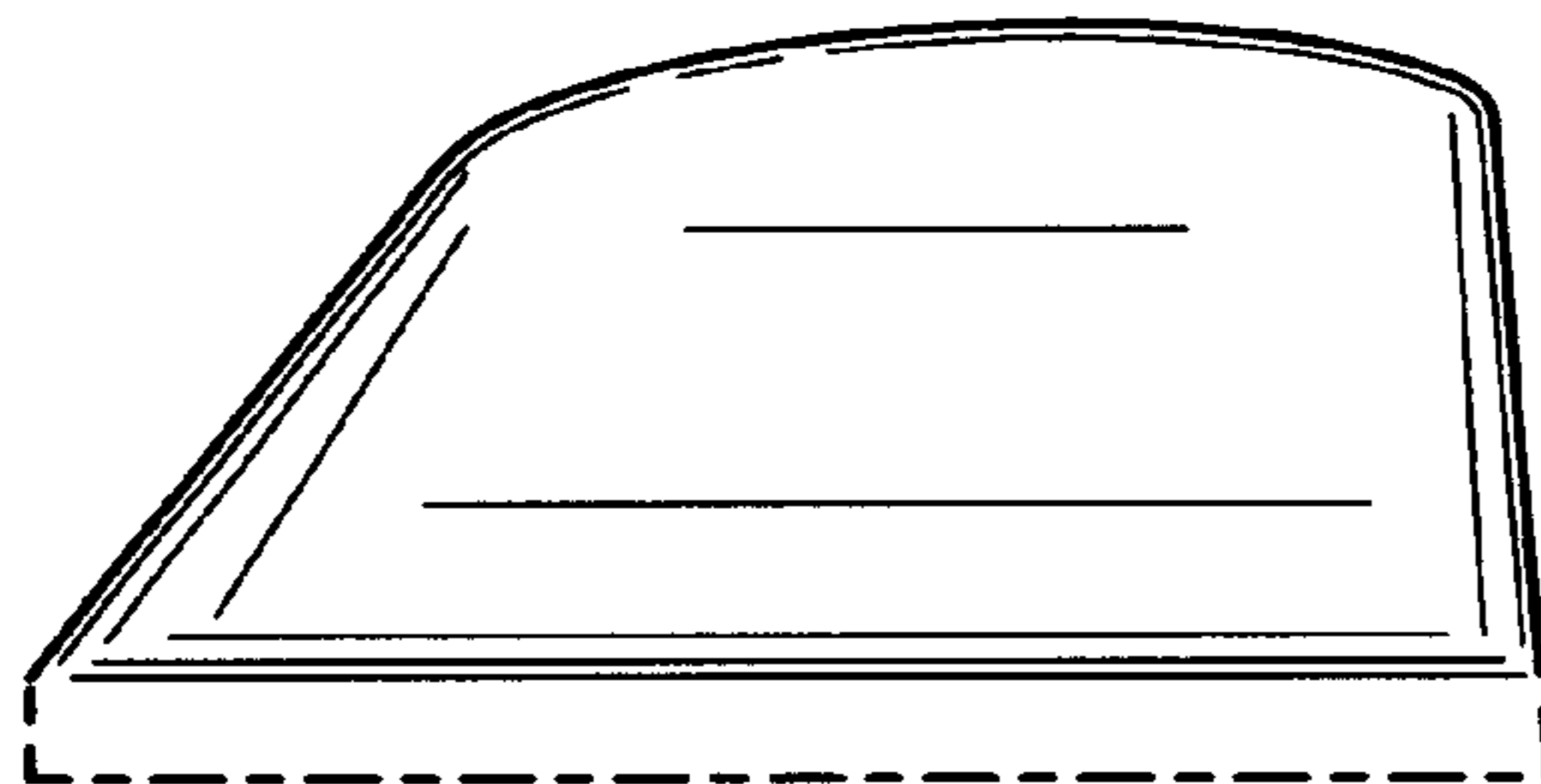
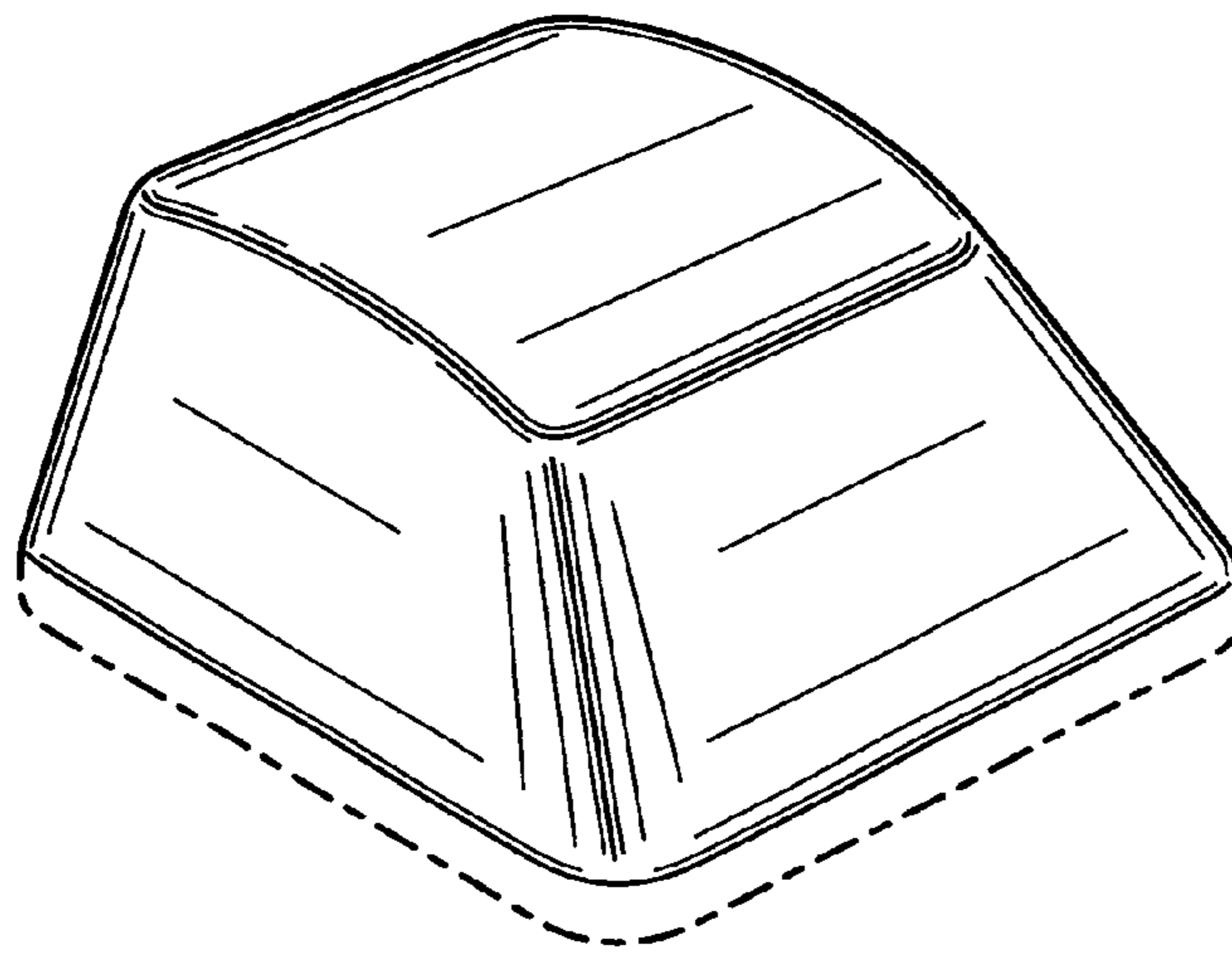
The ornamental design for a depressible key for a keyboard, as shown and described.

DESCRIPTION

FIG. 1 is a top view of a depressible key for a keyboard showing my new design;
FIG. 2 is a front view thereof;
FIG. 3 is a front perspective view thereof;
FIG. 4 is a rear view thereof;
FIG. 5 is a rear-left perspective view thereof;
FIG. 6 is a right side view thereof; and,
FIG. 7 is a left side view thereof.

The broken line showing of the bottom portion of the key is for illustrative purposes only and forms no part of the claimed design.

1 Claim, 2 Drawing Sheets



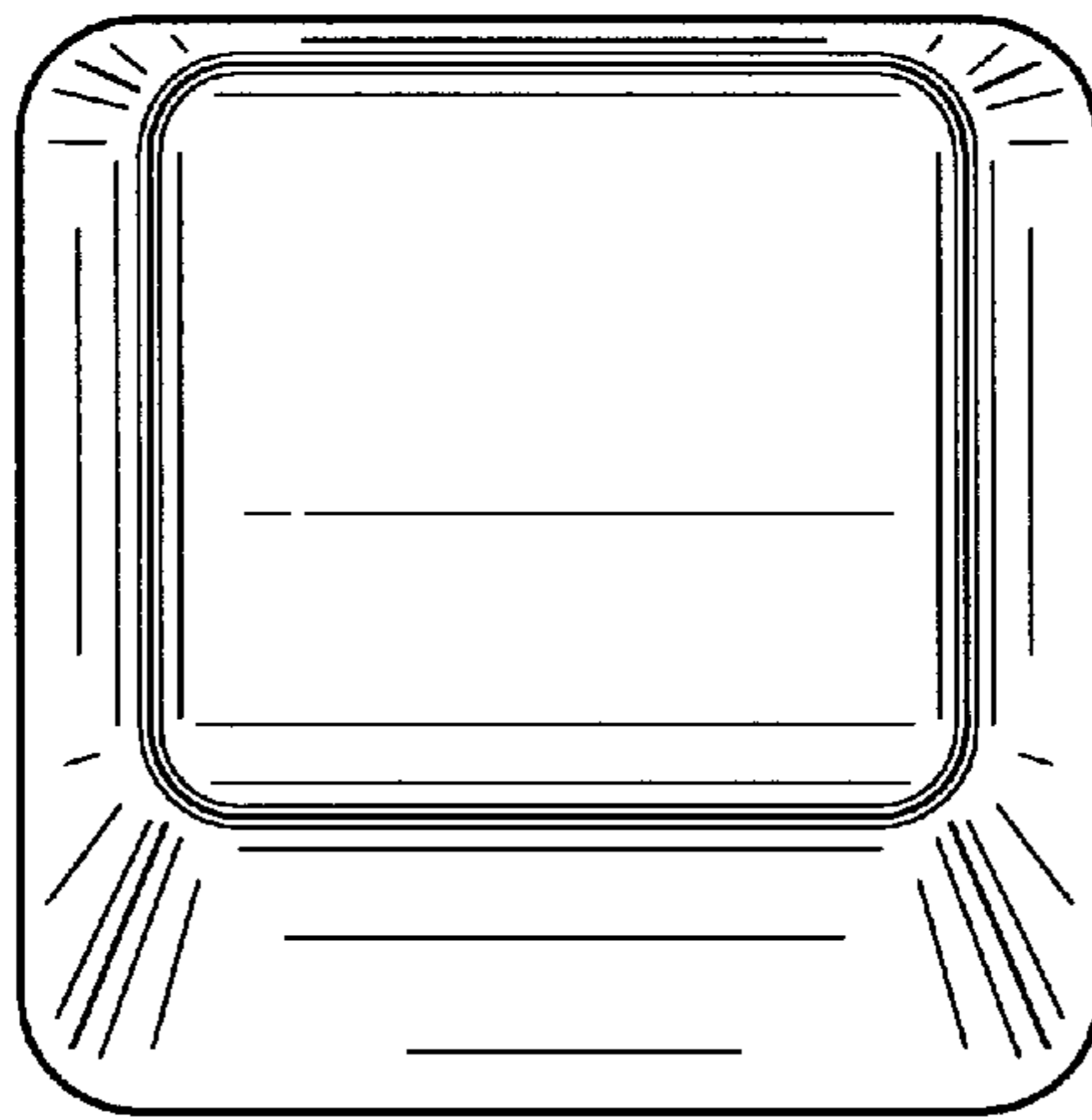


FIG. 1

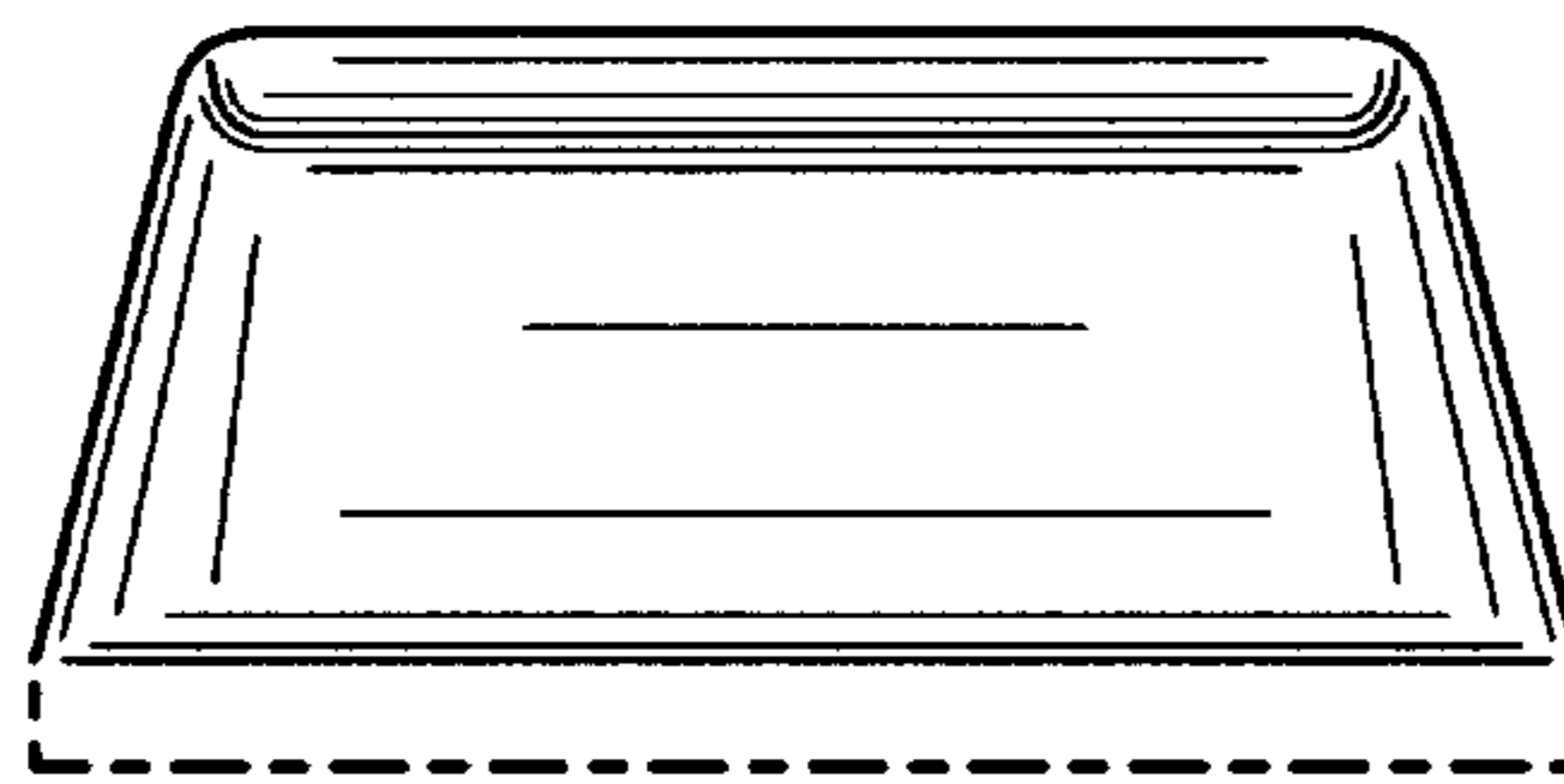


FIG. 2

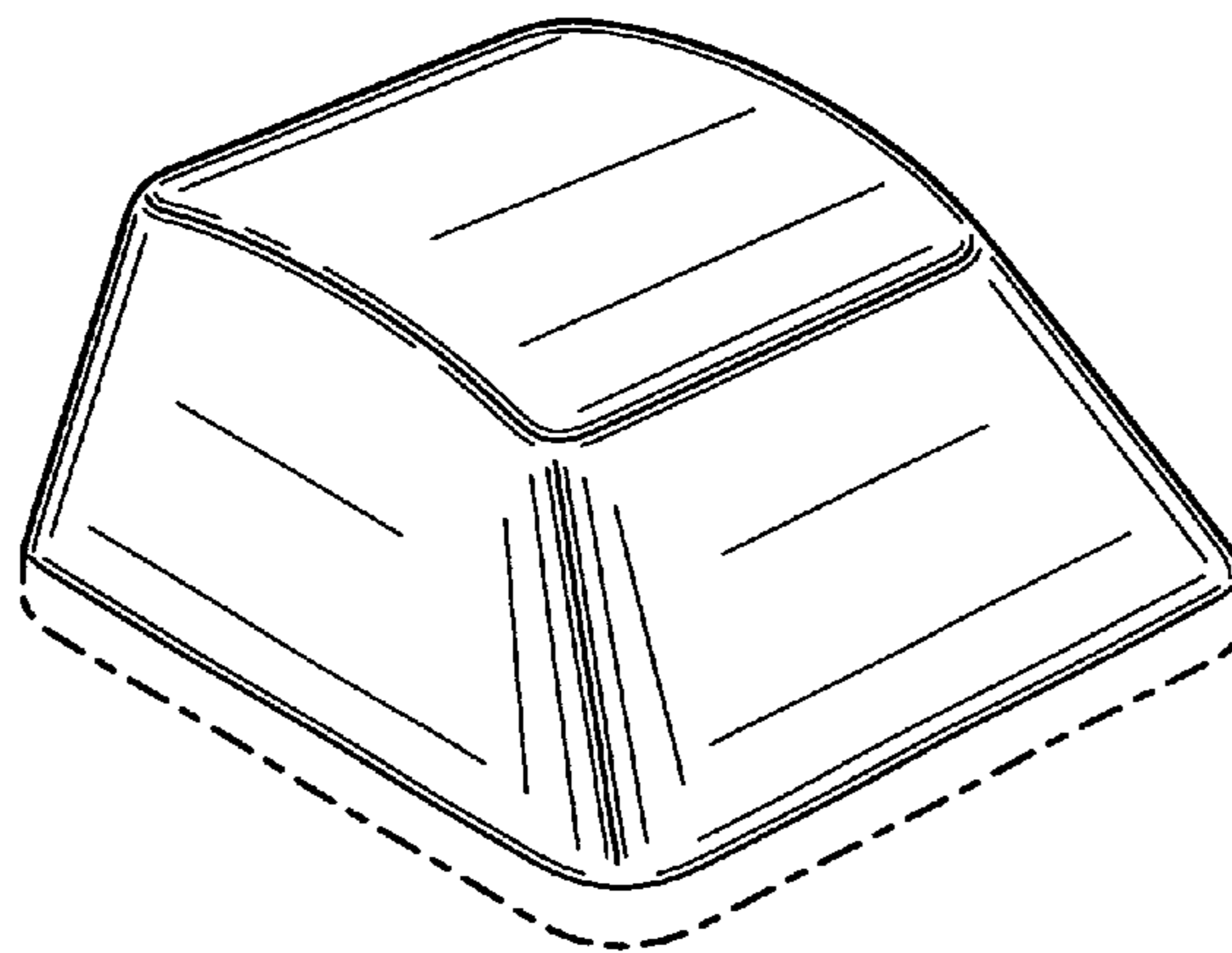


FIG. 3

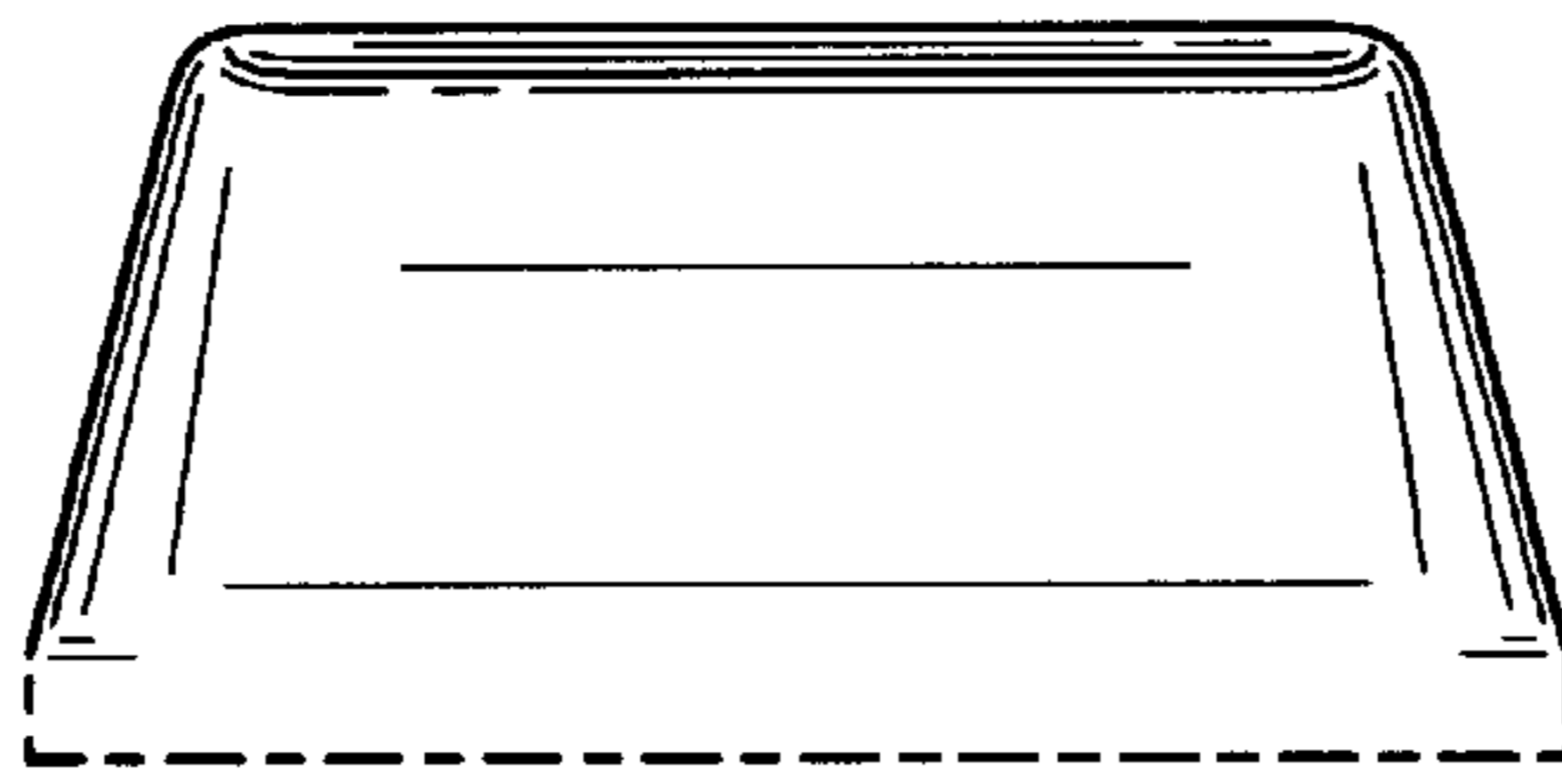


FIG. 4

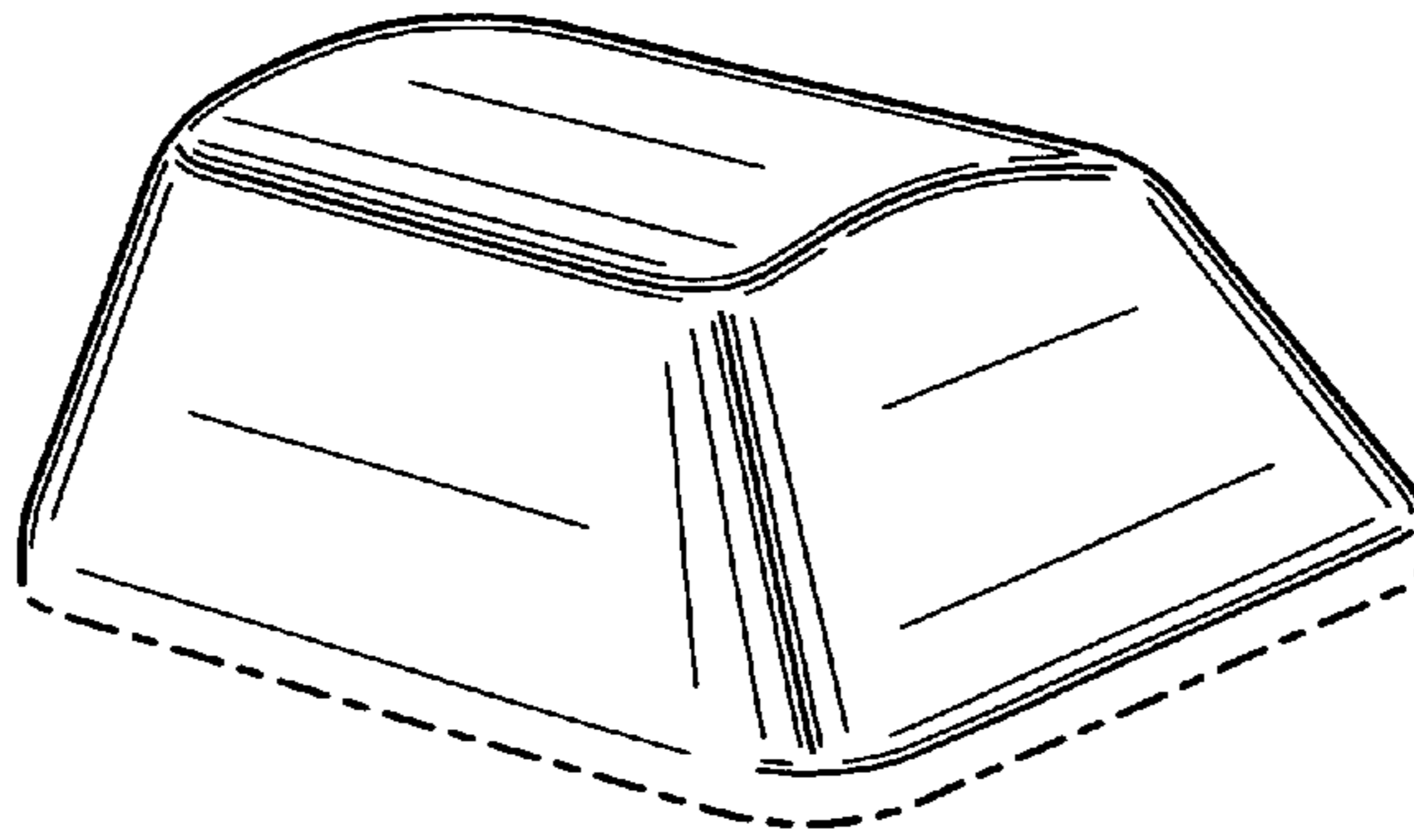


FIG. 5

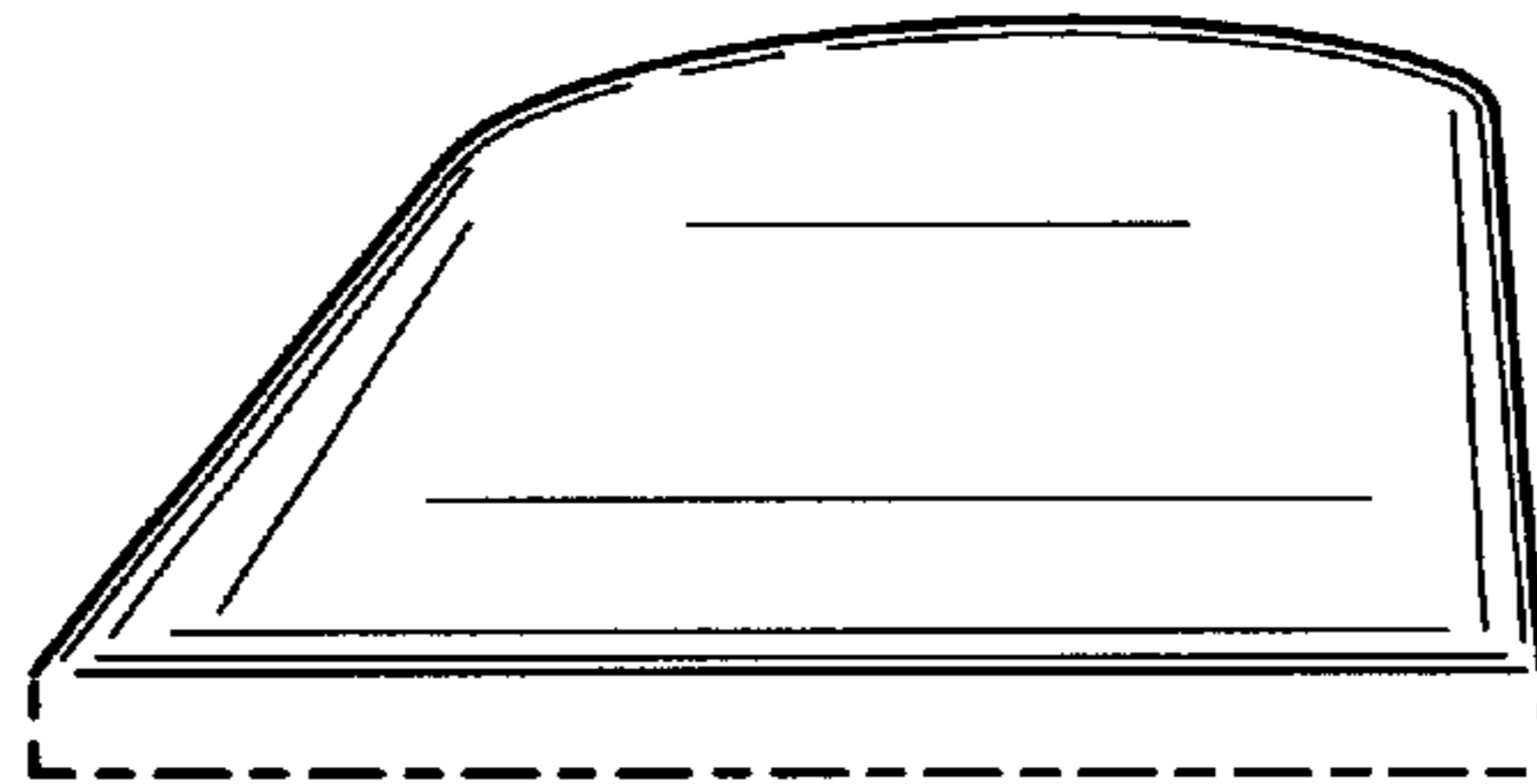


FIG. 6

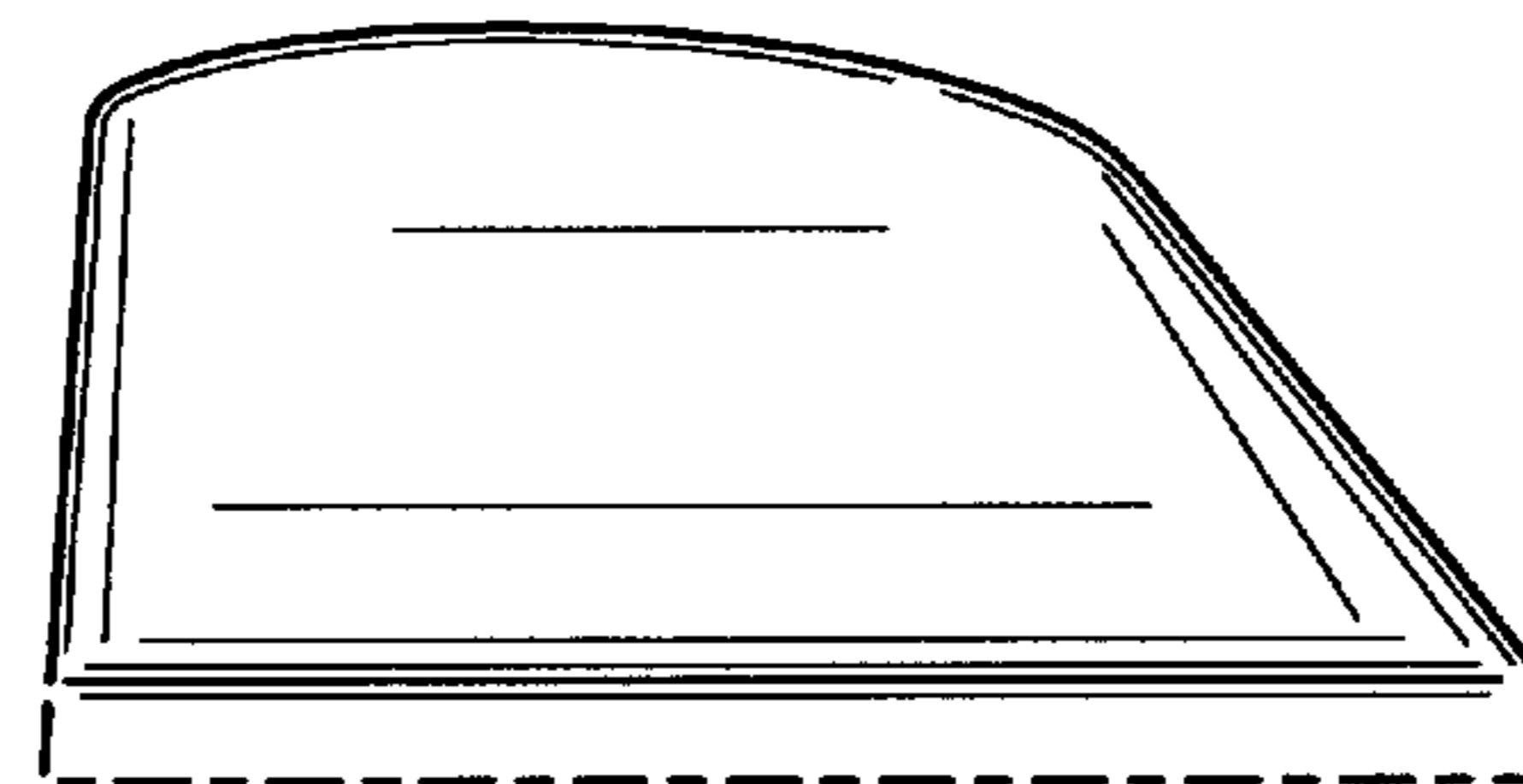


FIG. 7