



US00D467923S

(12) **United States Design Patent**
Lim

(10) **Patent No.:** **US D467,923 S**

(45) **Date of Patent:** **** Dec. 31, 2002**

(54) **JOYPAD**

(75) **Inventor:** **Tsz-Kin Lim, Kowloon (CN)**

(73) **Assignee:** **Storm Electronics Company Limited, Kowloon (CN)**

(**) **Term:** **14 Years**

(21) **Appl. No.:** **29/153,295**

(22) **Filed:** **Jan. 3, 2002**

(51) **LOC (7) Cl.** **14-02**

(52) **U.S. Cl.** **D14/401**

(58) **Field of Search** D14/400, 401,
D14/412-416, 432; D21/324, 333; 273/148 B;
463/1, 29-38, 46, 47; 345/156, 168, 169,
161, 162

(56) **References Cited**

U.S. PATENT DOCUMENTS

D415,752 S * 10/1999 Tyler et al. D14/401
6,001,015 A * 12/1999 Nishiumi et al. 463/38
D424,047 S * 5/2000 Chan D14/401

D435,542 S * 12/2000 Onoda et al. D14/401
6,171,191 B1 * 1/2001 Ogata et al. 273/148 B
6,231,444 B1 * 5/2001 Goto et al. 273/148 B
D456,410 S * 4/2002 Ashida D14/401

* cited by examiner

Primary Examiner—Prabhakar Deshmukh

(74) *Attorney, Agent, or Firm*—Alix, Yale & Ristas, LLP

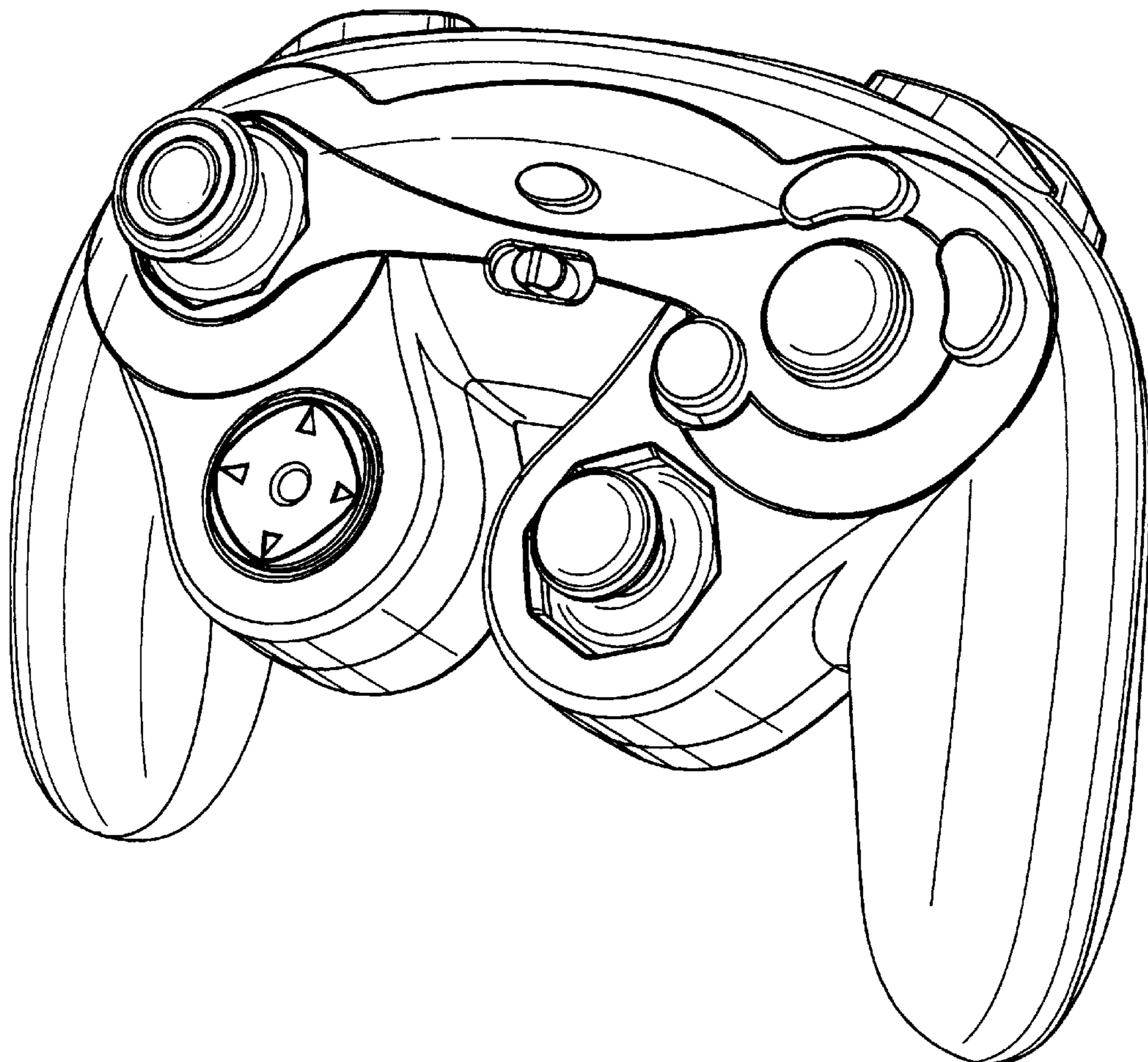
(57) **CLAIM**

The ornamental design for a joypad, as shown and described.

DESCRIPTION

FIG. 1 is a perspective view of a joypad showing my new design;
FIG. 2 is a top plan view thereof;
FIG. 3 is a rear elevational view thereof;
FIG. 4 is a left side elevational view thereof;
FIG. 5 is a right side elevational view thereof; and,
FIG. 6 is a bottom plan view thereof; and
FIG. 7 is a front elevational view thereof.

1 Claim, 4 Drawing Sheets



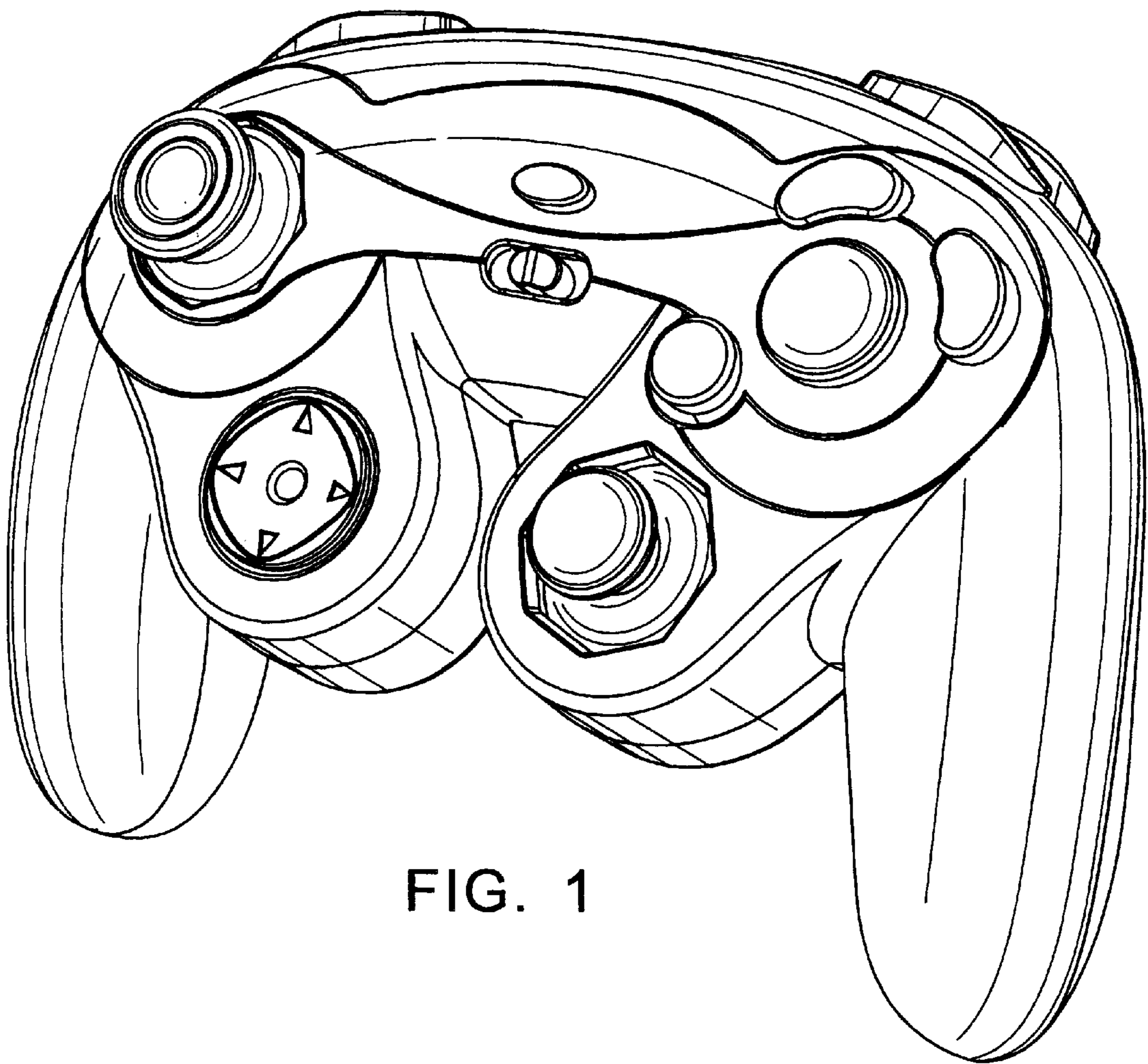


FIG. 1

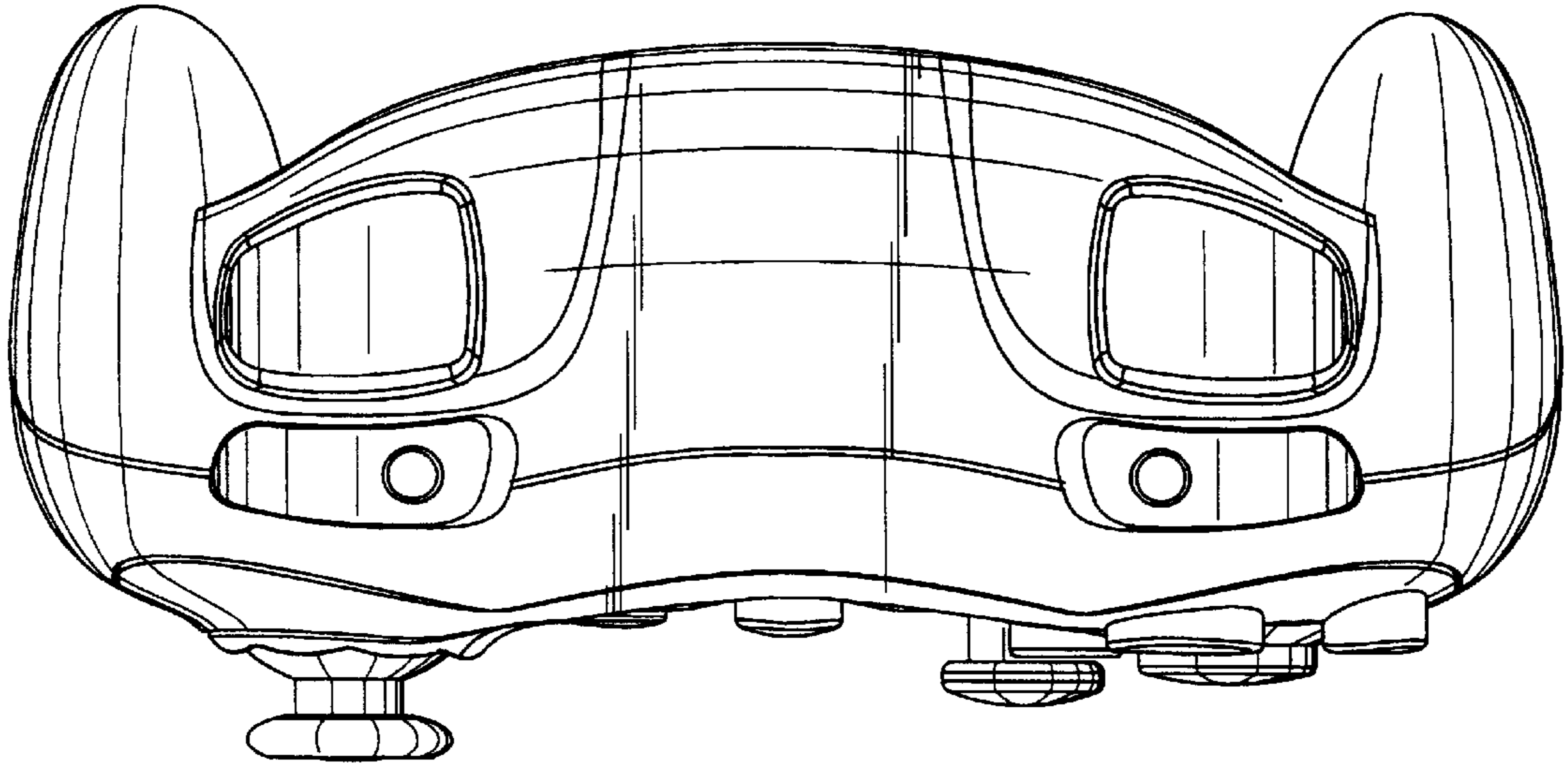


FIG. 3

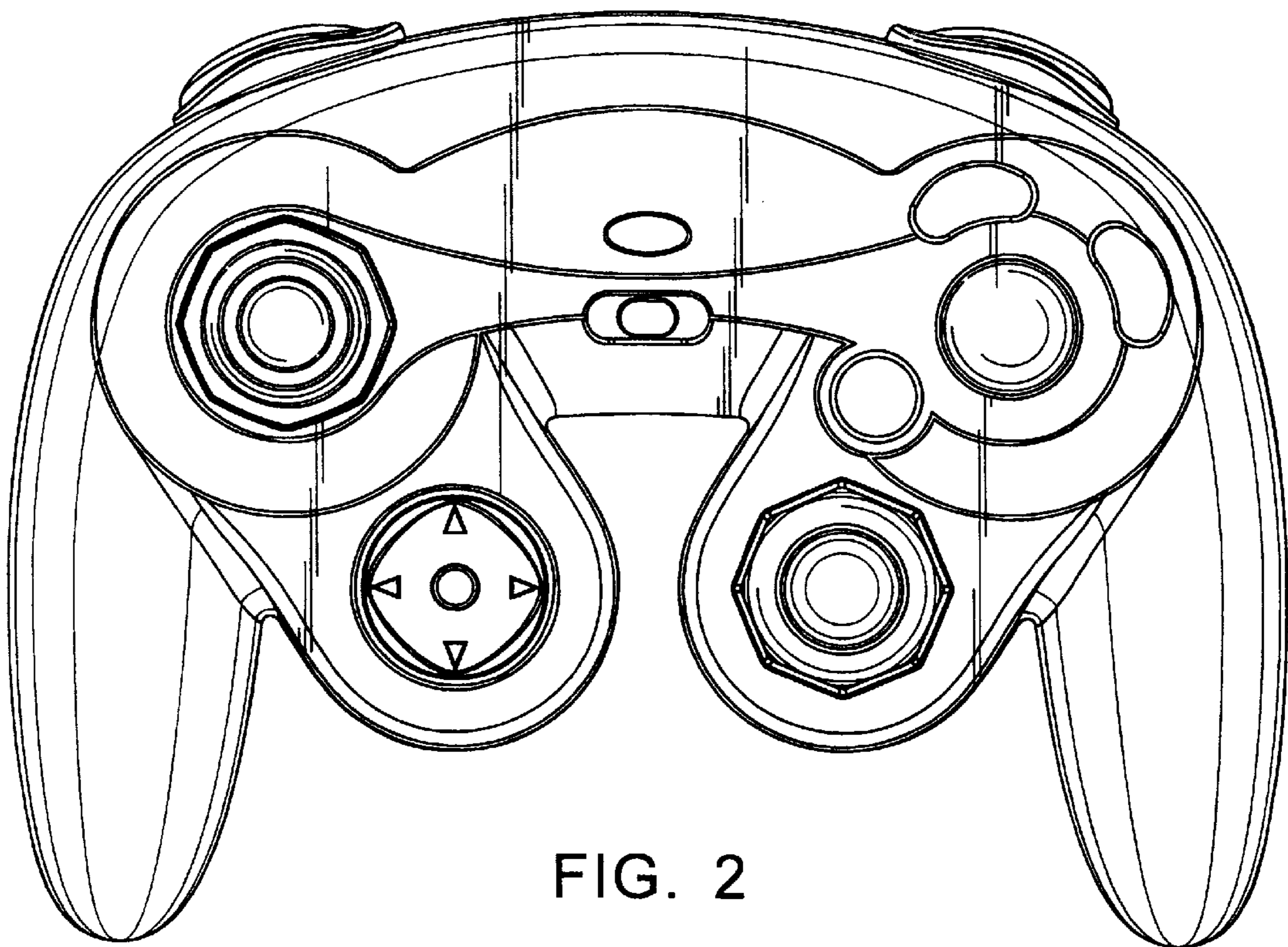


FIG. 2

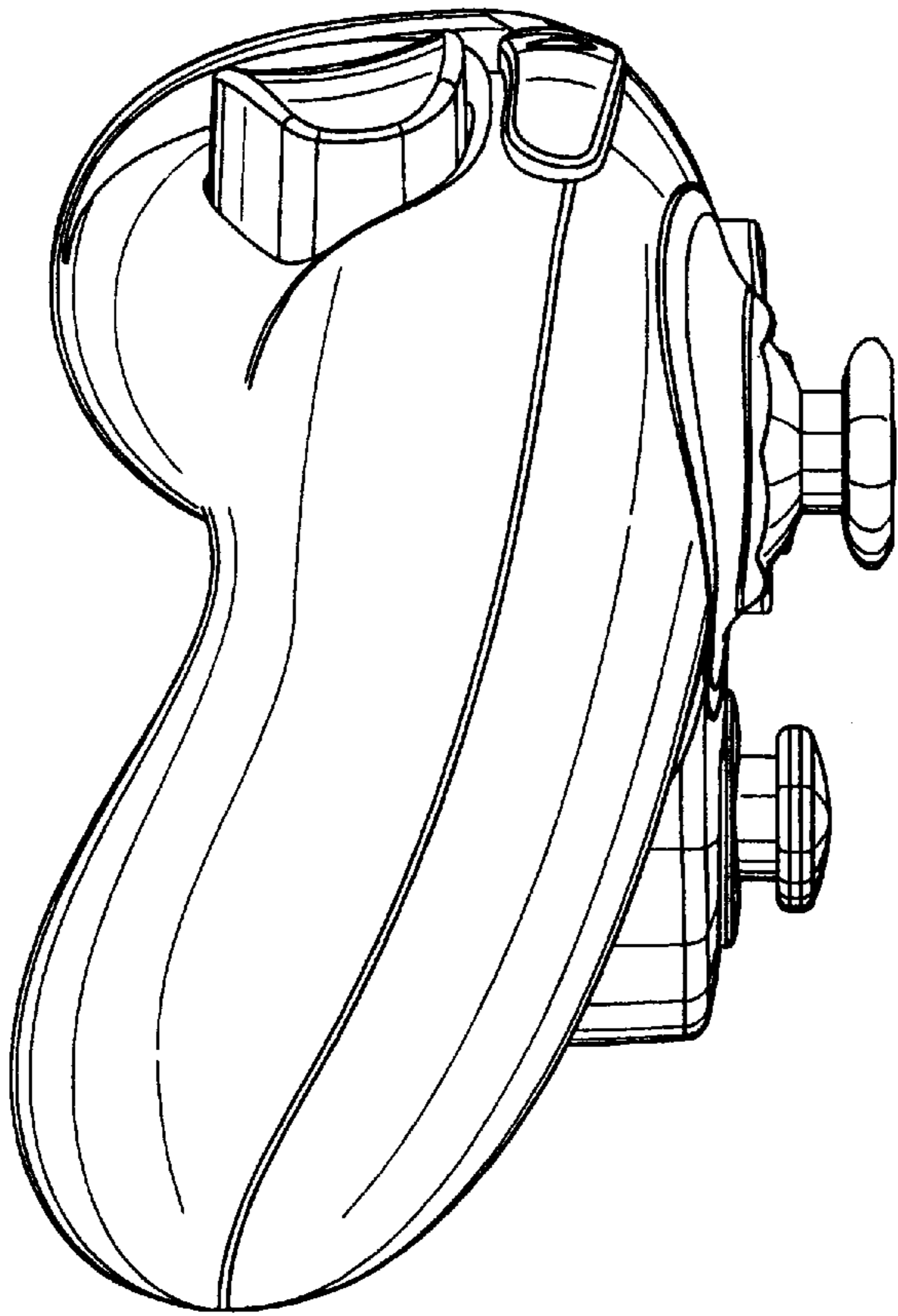


FIG. 4

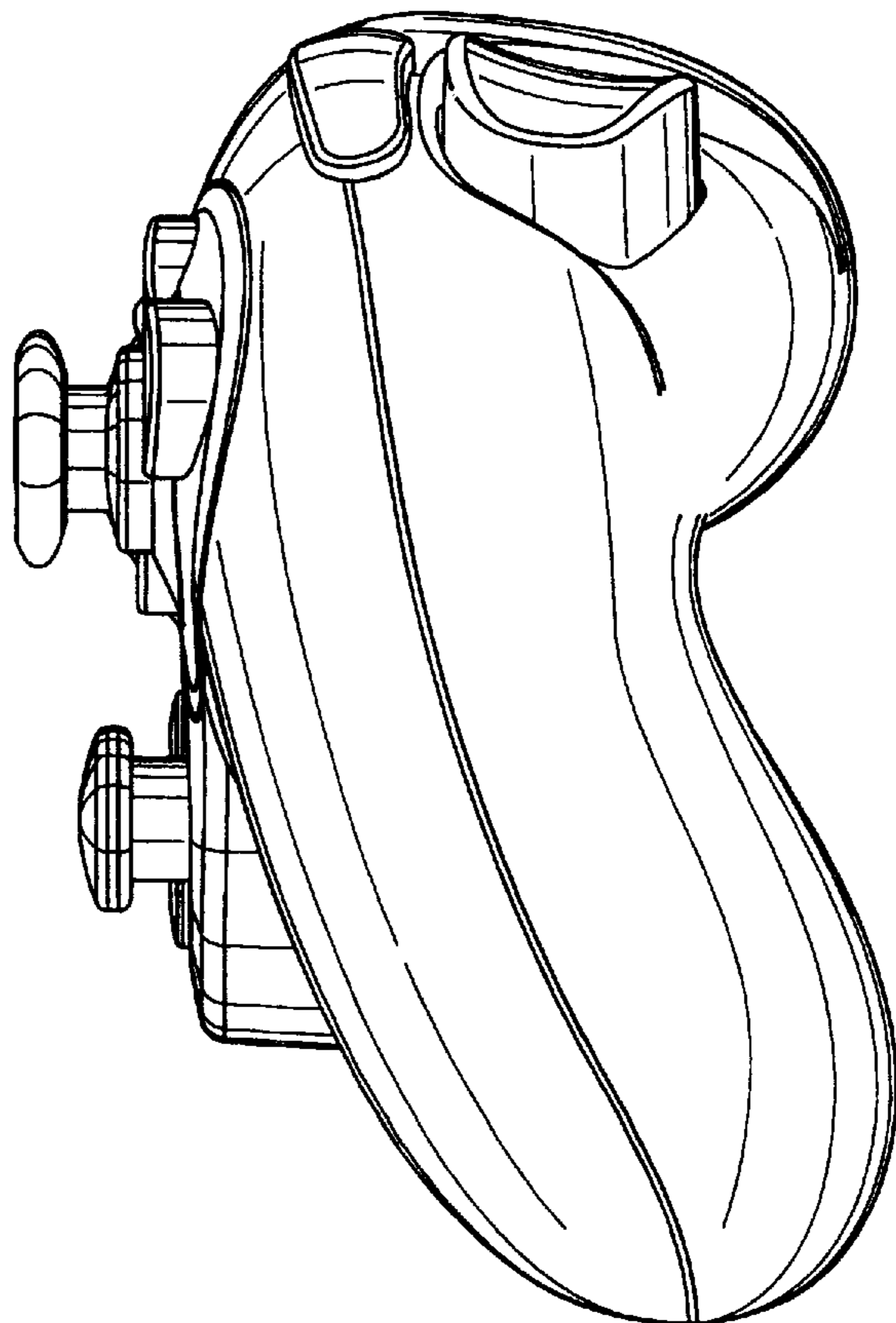


FIG. 5

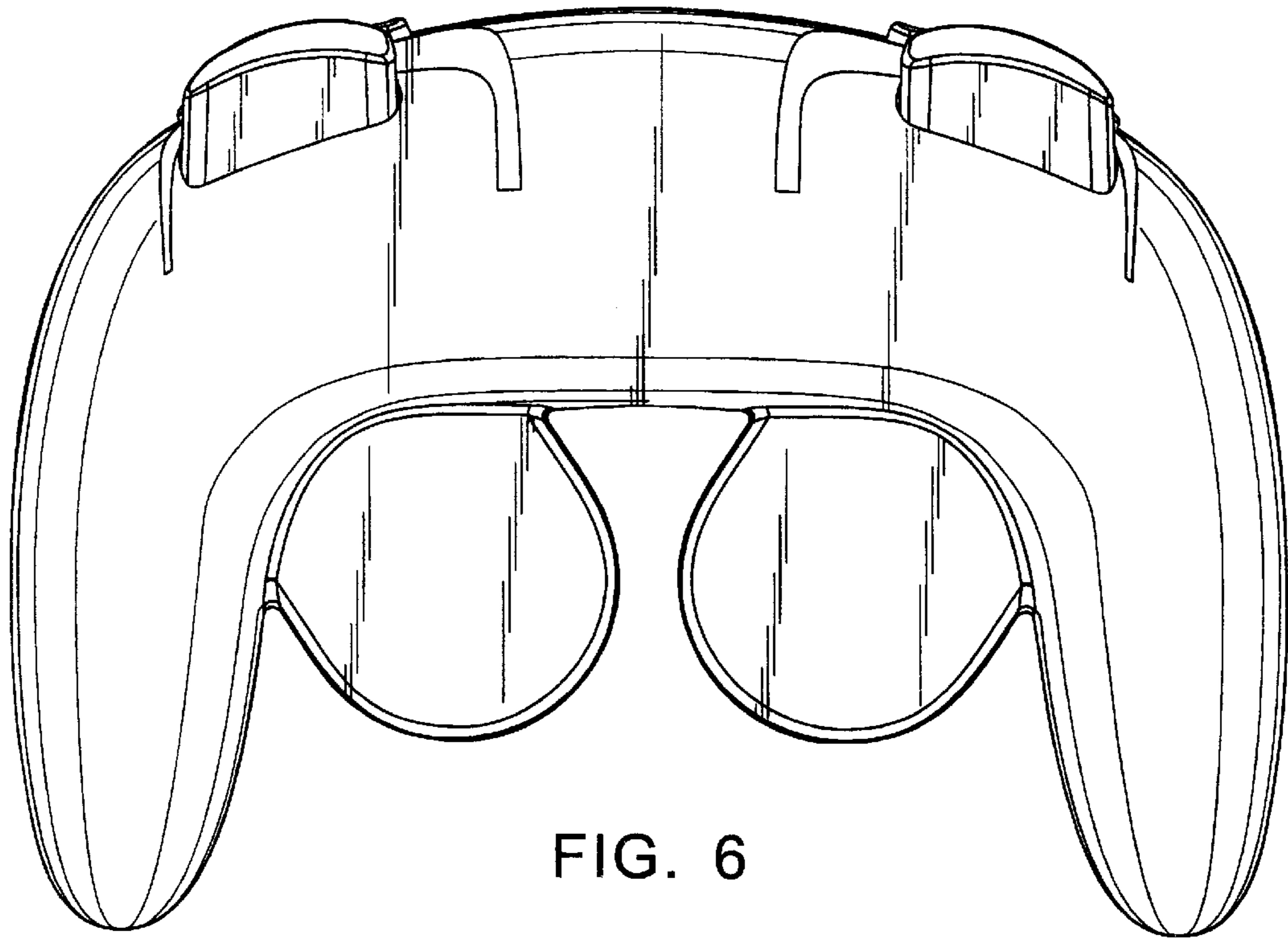


FIG. 6

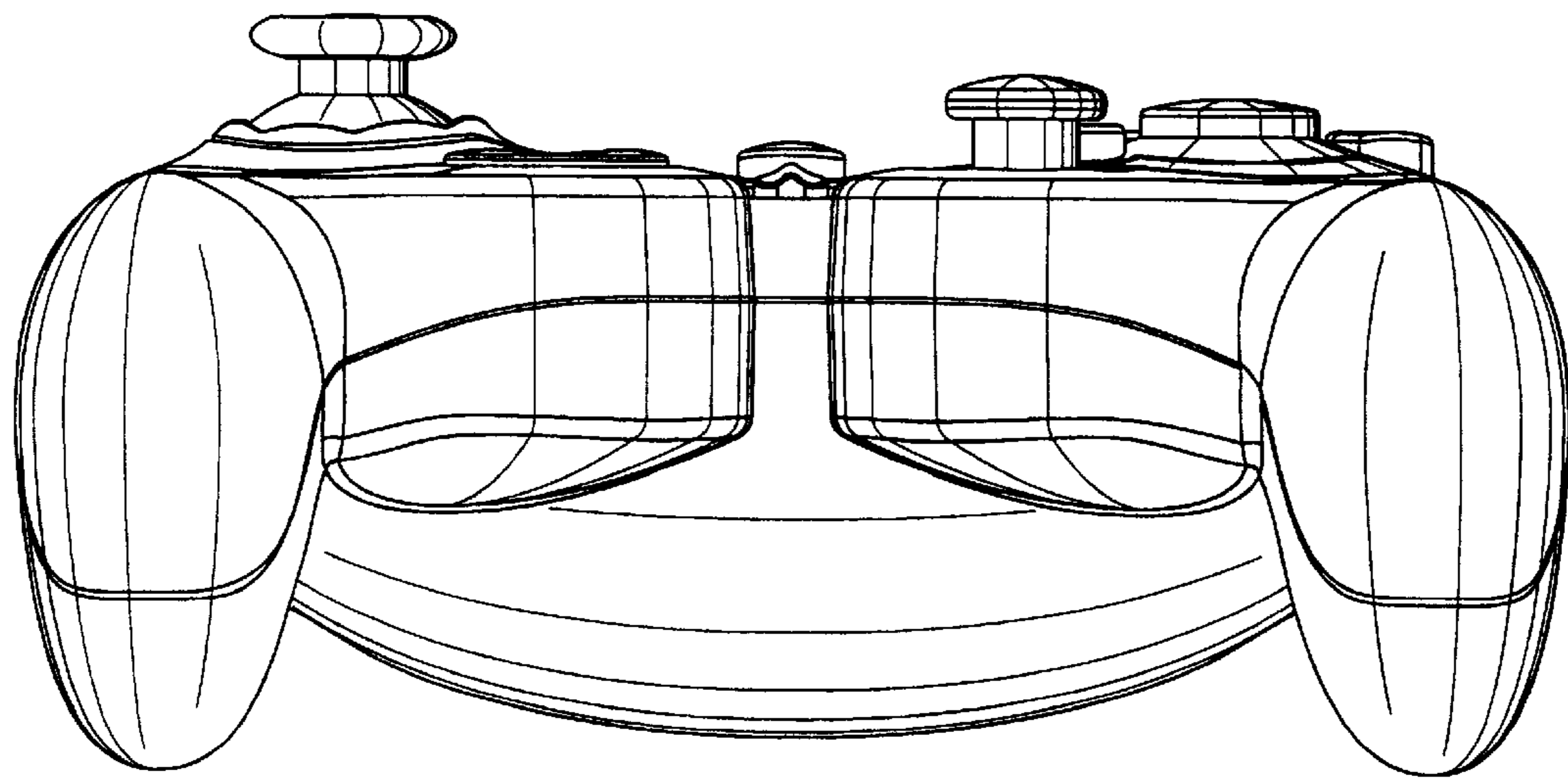


FIG. 7