



US00D467920S

(12) **United States Design Patent**  
**Chen et al.**

(10) **Patent No.:** **US D467,920 S**

(45) **Date of Patent:** **\*\* Dec. 31, 2002**

(54) **LCD DISPLAY**

(75) Inventors: **Yeong-Kuen Chen**, Tainan Hsien (TW);  
**Bo-Xun Wu**, Tainan (TW)

(73) Assignee: **HannStar Display Corp.**, Taipei (TW)

(\*\*) Term: **14 Years**

(21) Appl. No.: **29/154,908**

(22) Filed: **Jan. 31, 2002**

(30) **Foreign Application Priority Data**

Dec. 28, 2001 (TW) ..... 090308495

(51) **LOC (7) Cl.** ..... **14-02**

(52) **U.S. Cl.** ..... **D14/375**

(58) **Field of Search** ..... D14/336, 371,  
D14/374, 375, 125-129; 345/104, 156,  
168, 173; 348/180, 184, 325, 739; 248/917-924;  
341/12; 349/1, 2, 11

(56) **References Cited**

**U.S. PATENT DOCUMENTS**

D397,094 S \* 8/1998 Kishi et al. .... D14/337

D431,566 S \* 10/2000 Chuo et al. .... D14/375

D432,101 S \* 10/2000 Oba ..... D14/126

\* cited by examiner

*Primary Examiner*—Freda Nunn

(74) *Attorney, Agent, or Firm*—Merchant & Gould; Tim  
Tingkang Xia

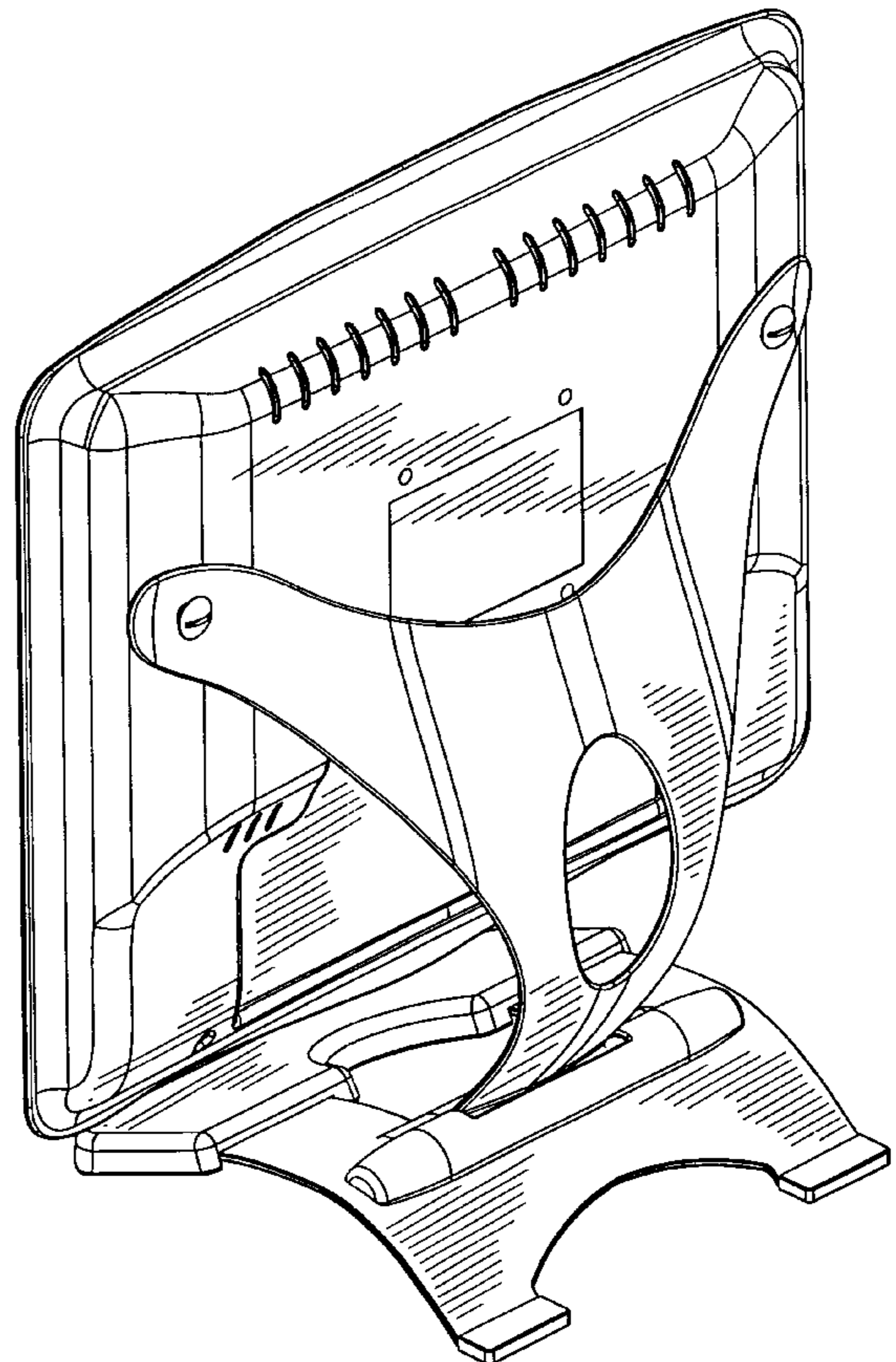
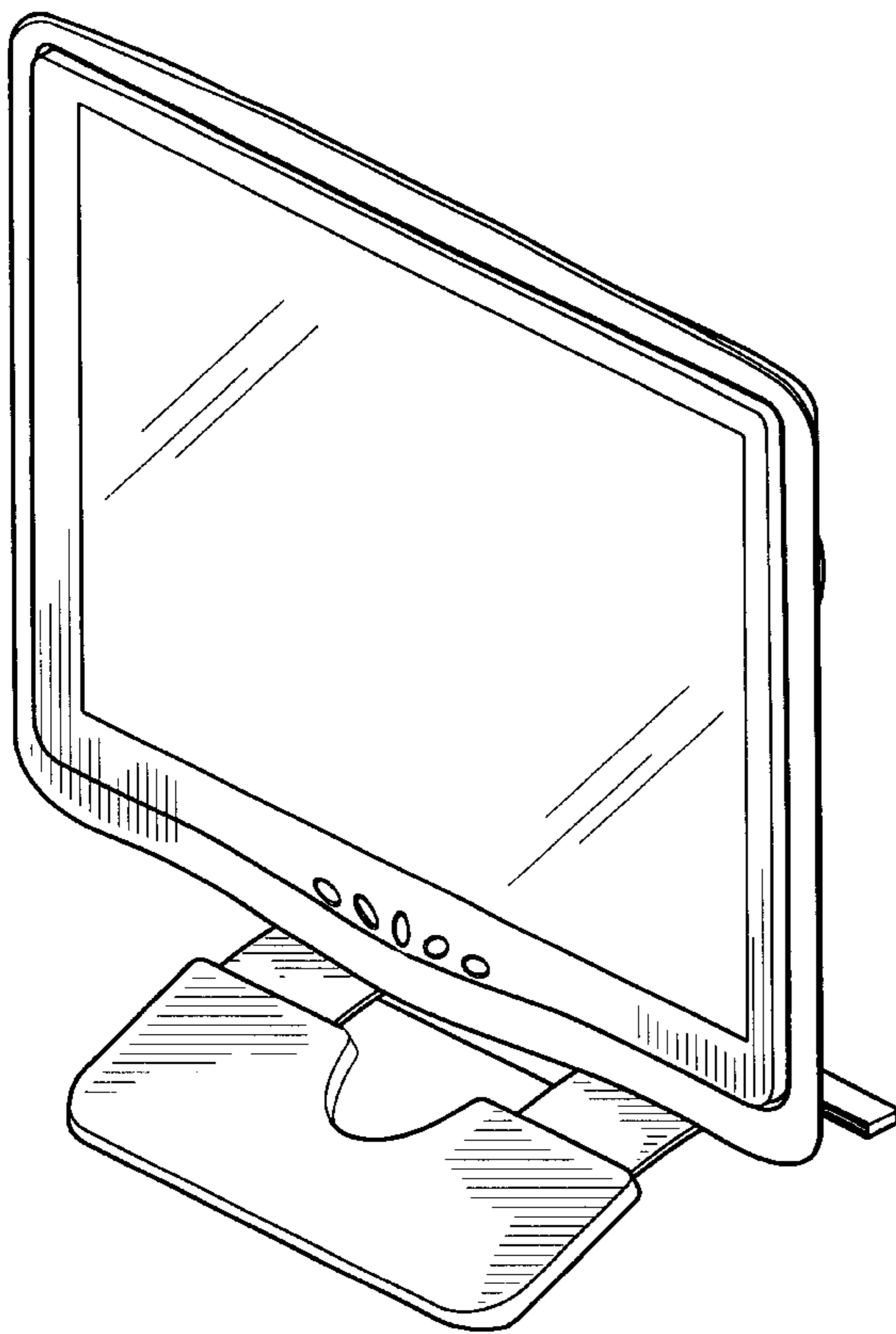
(57) **CLAIM**

The ornamental design for an LCD display, as shown and  
described.

**DESCRIPTION**

FIG. 1 is a front perspective view thereof;  
FIG. 2 is a right side elevational view thereof;  
FIG. 3 is a top plan view thereof;  
FIG. 4 is a front elevational view thereof;  
FIG. 5 is a bottom plan view thereof;  
FIG. 6 is a left side elevational view thereof;  
FIG. 7 is a rear elevational view thereof; and,  
FIG. 8 is a rear perspective view thereof.

**1 Claim, 8 Drawing Sheets**



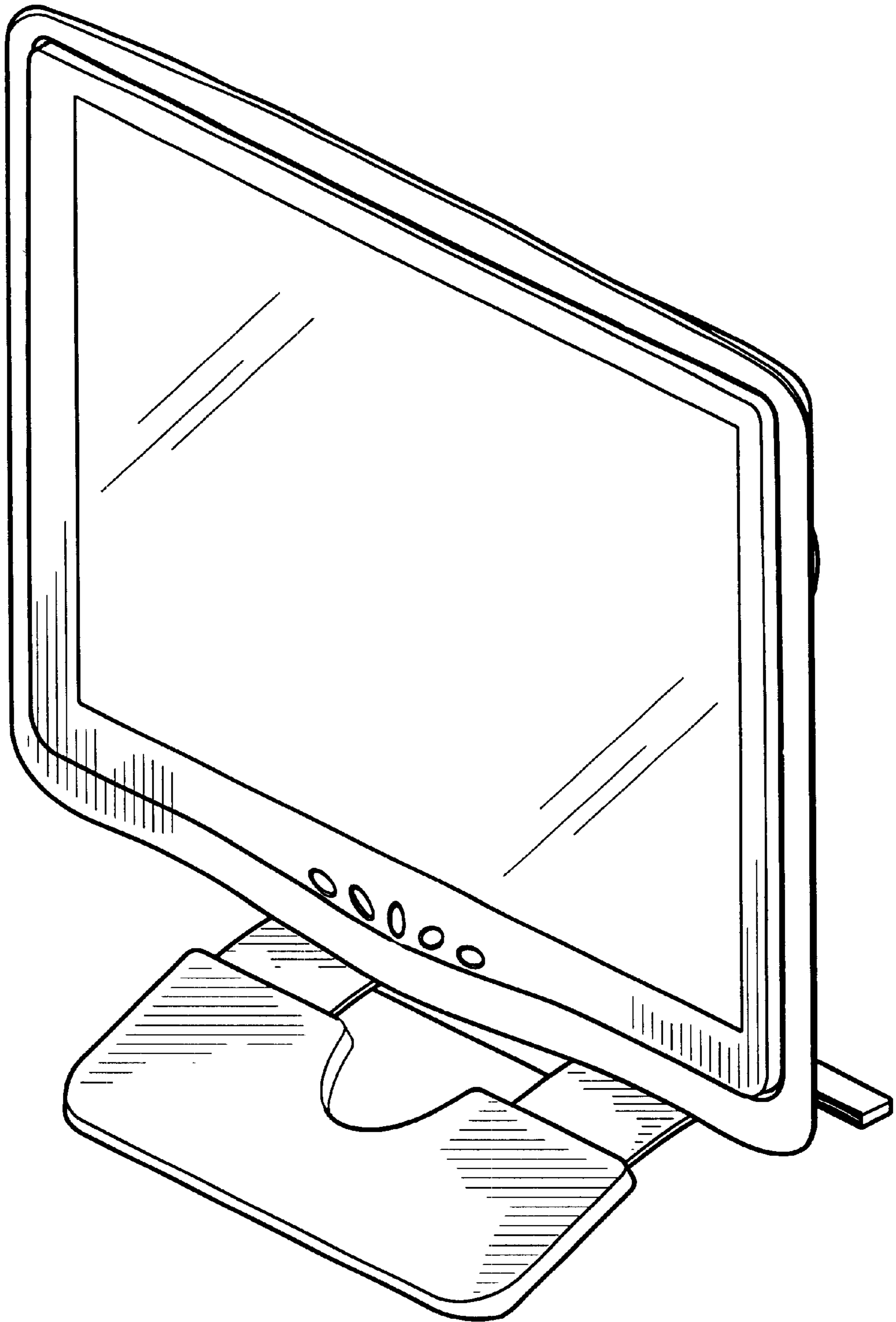


FIG. 1

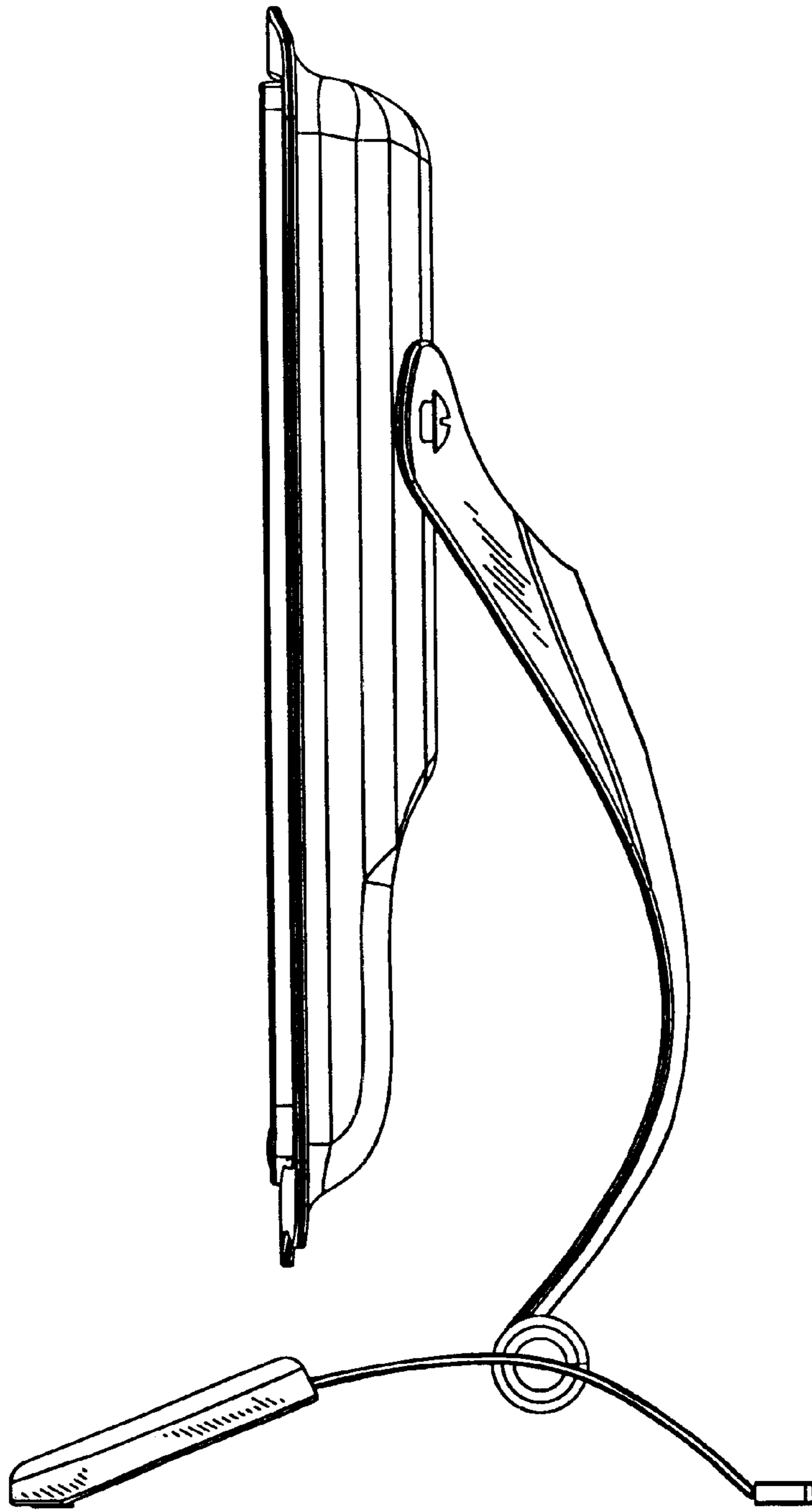


FIG. 2

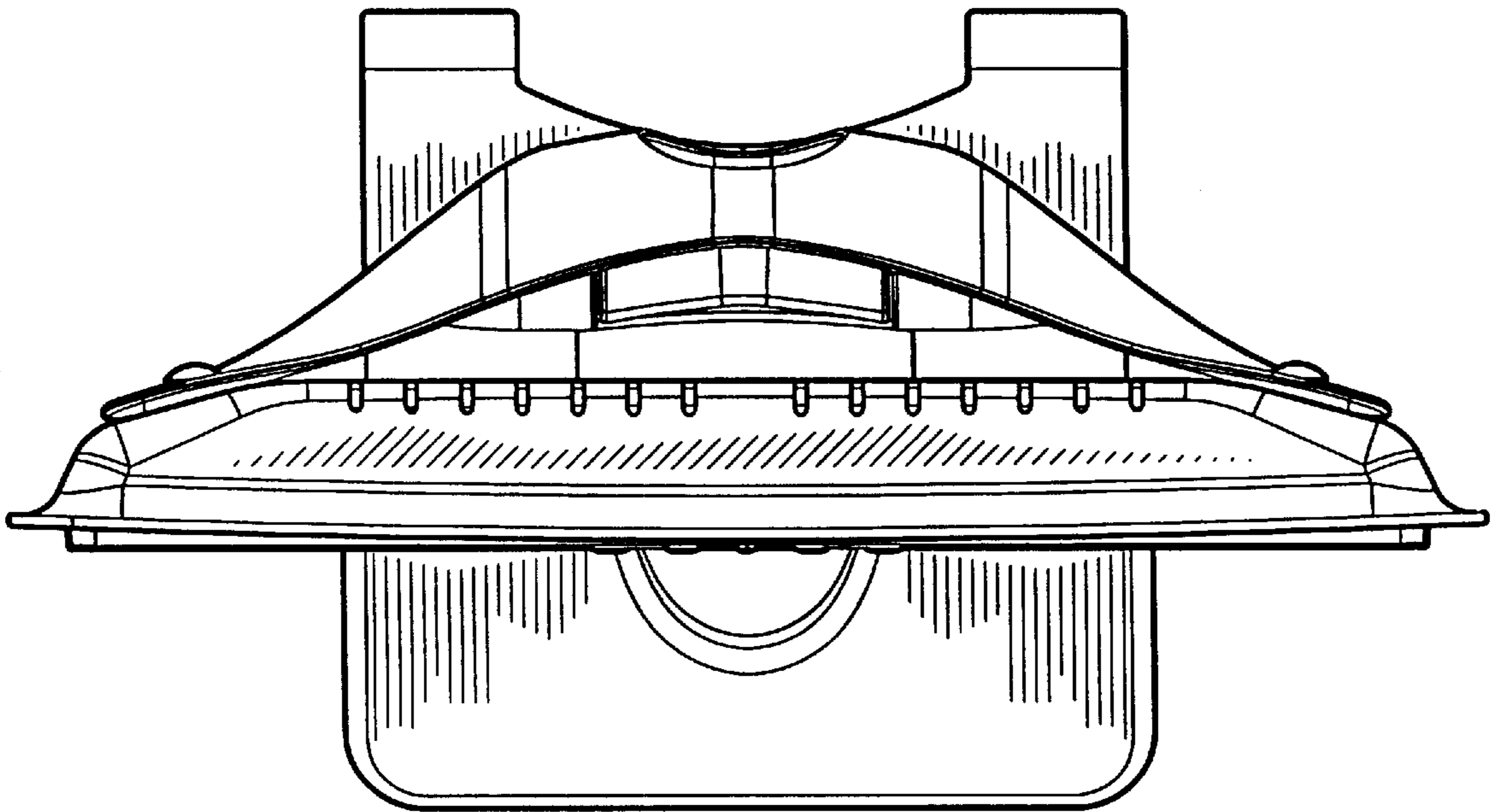


FIG. 3

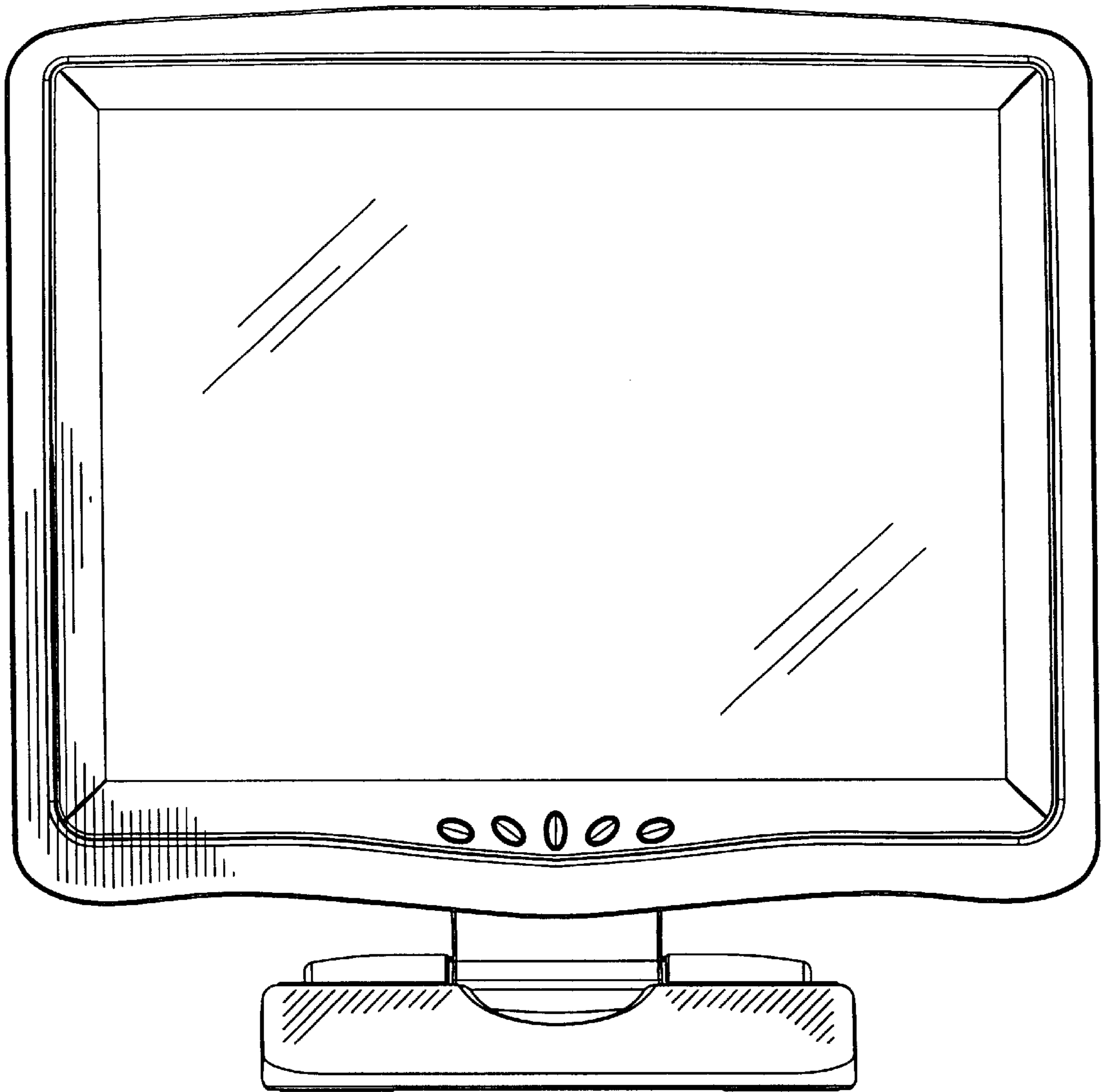


FIG. 4

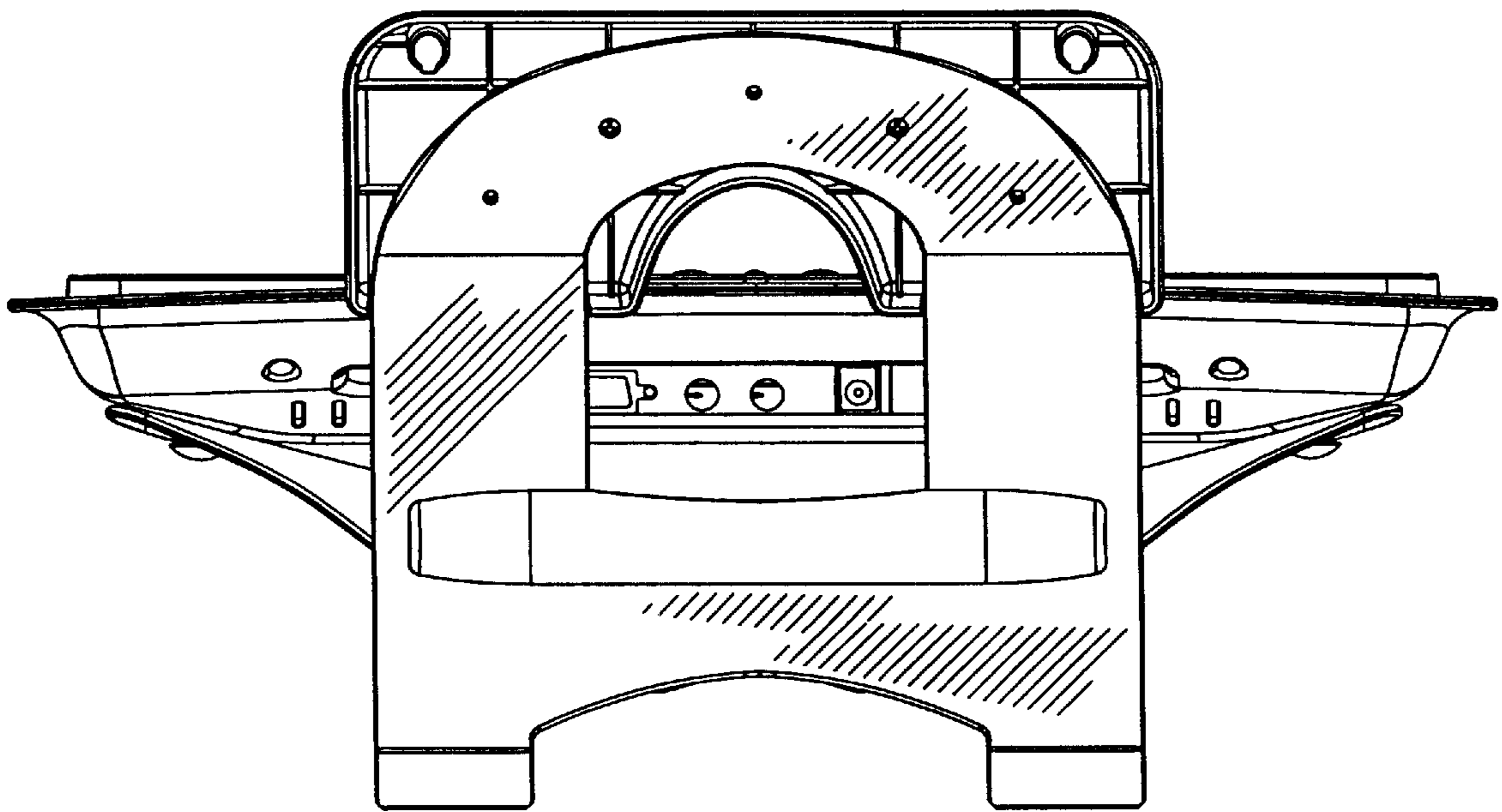


FIG. 5

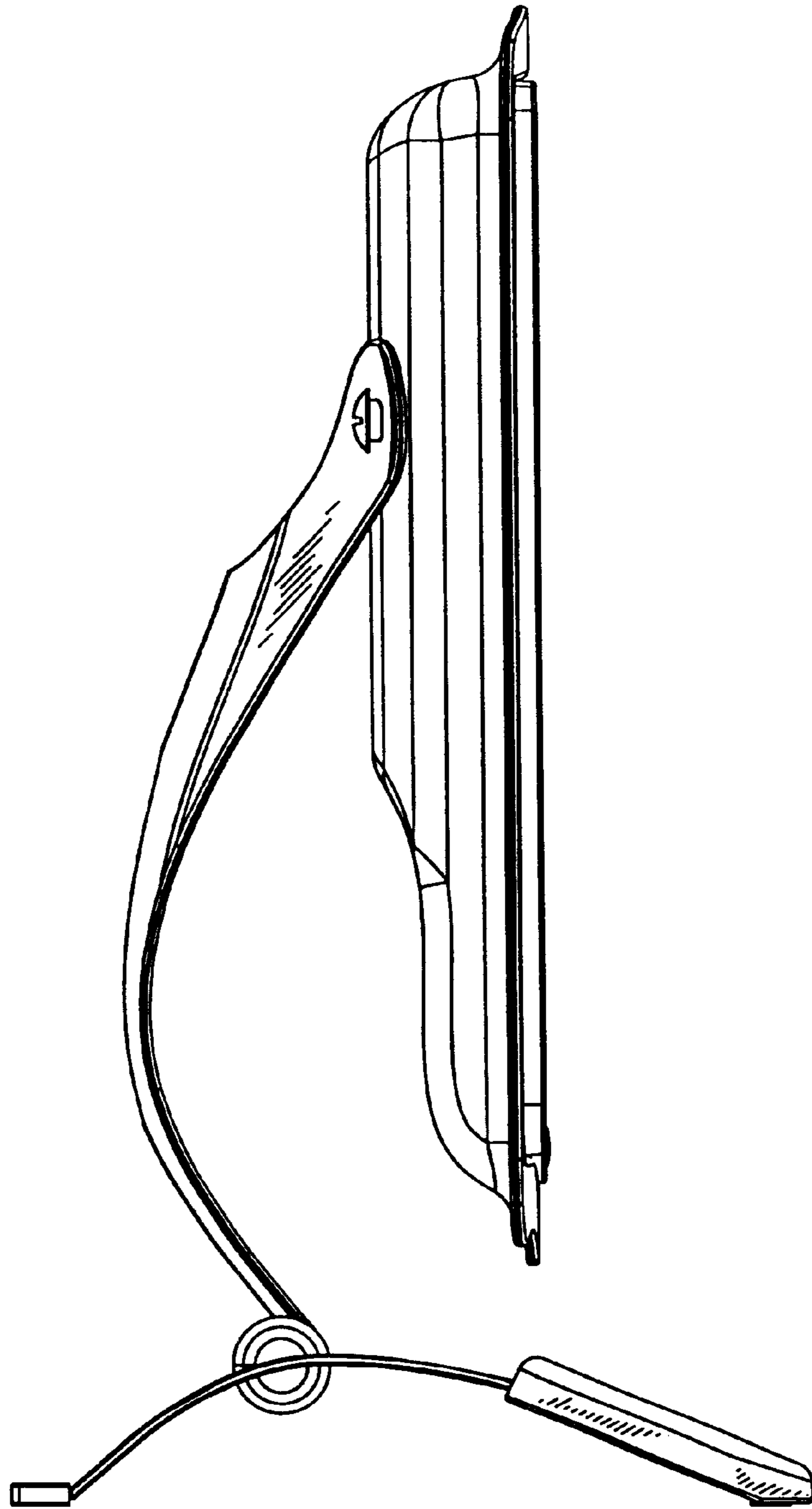


FIG. 6

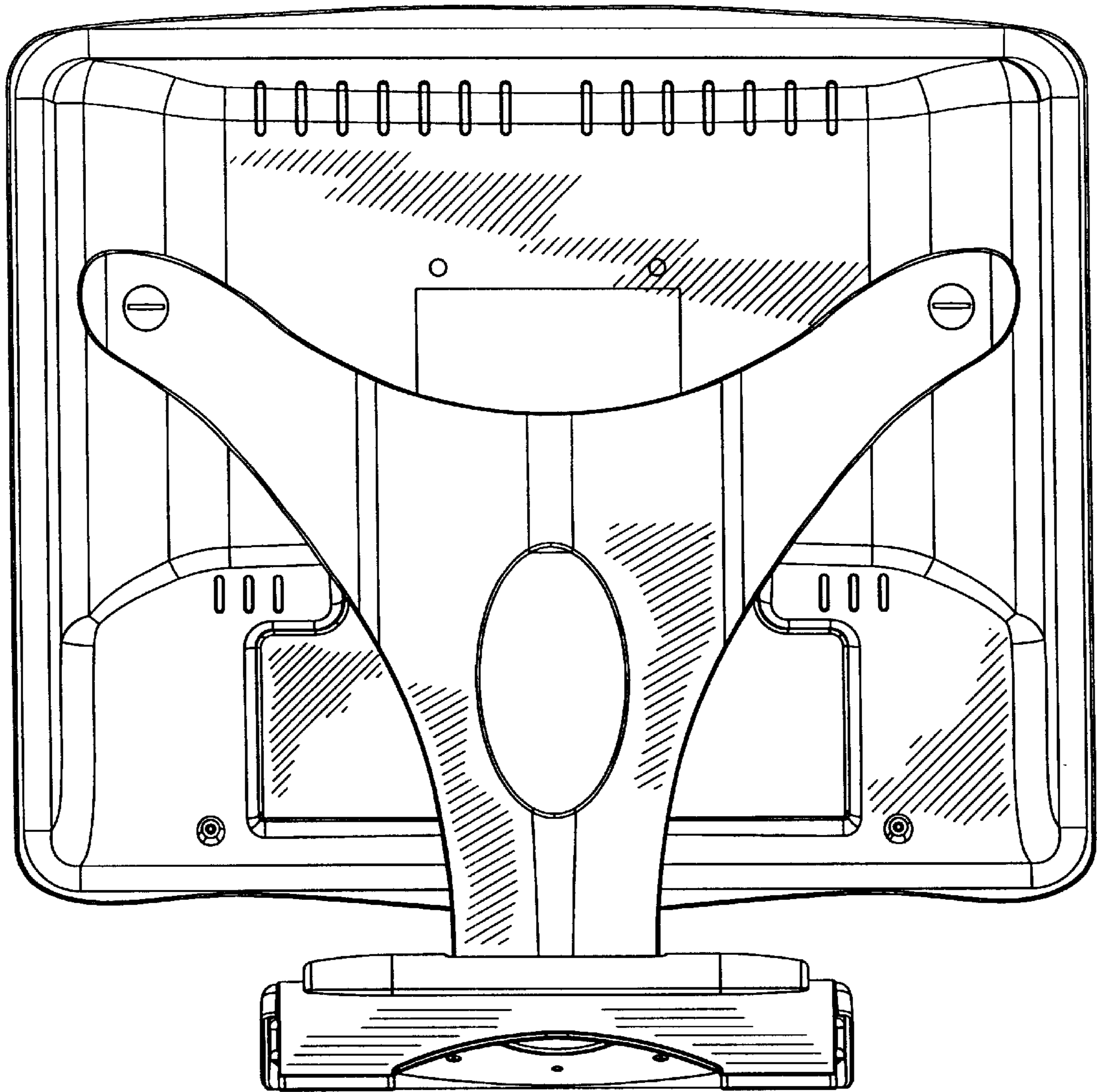


FIG. 7



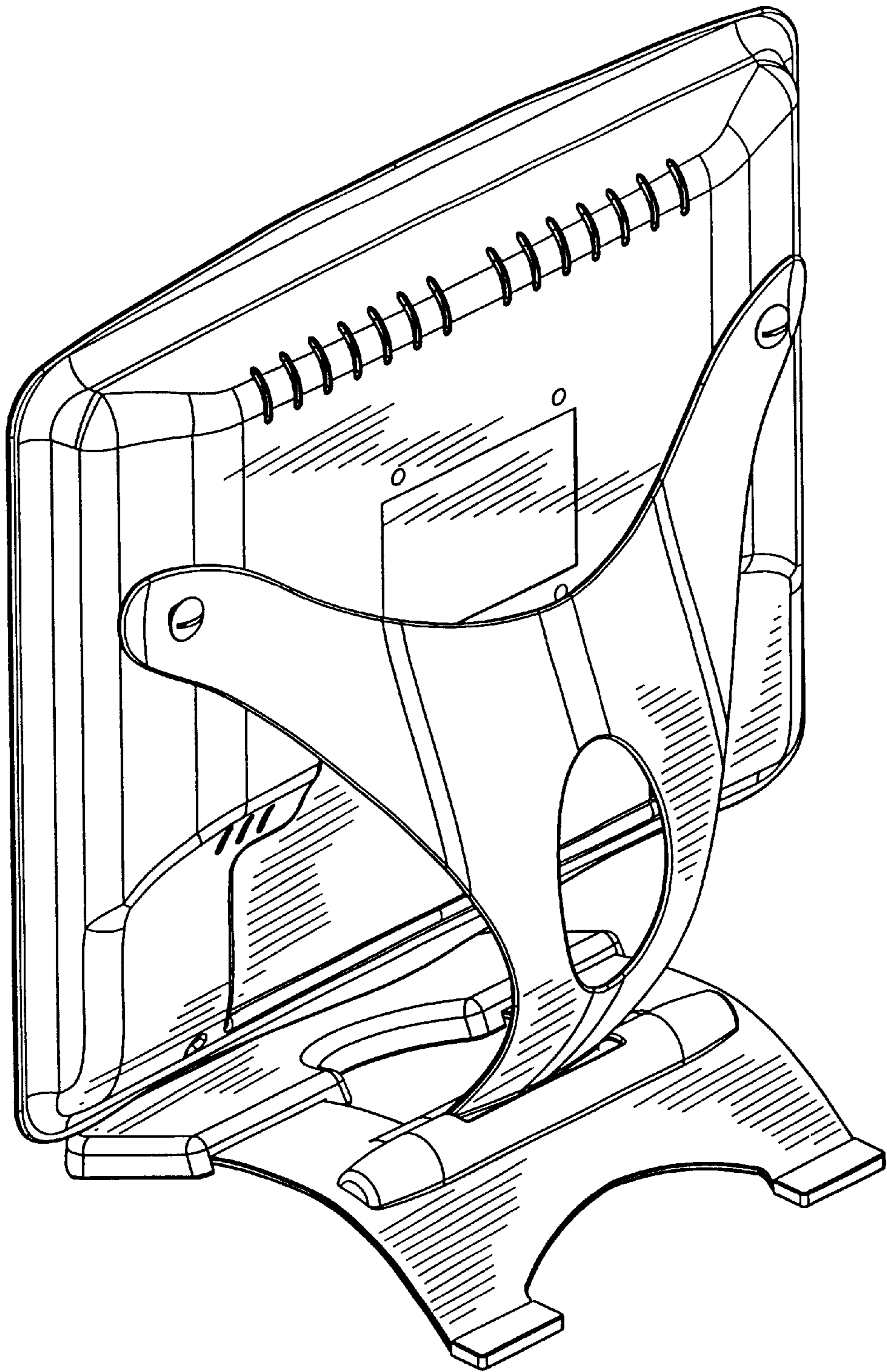


FIG. 8