



US00D467916S

(12) **United States Design Patent**
Tischer

(10) **Patent No.:** **US D467,916 S**

(45) **Date of Patent:** **** Dec. 31, 2002**

(54) **WIRELESS COMMUNICATION DEVICE**

(75) Inventor: **Steven Neil Tischer**, Atlanta, GA (US)

(73) Assignee: **BellSouth Intellectual Property Corporation**, Wilmington, DE (US)

(**) Term: **14 Years**

(21) Appl. No.: **29/160,828**

(22) Filed: **May 16, 2002**

Related U.S. Application Data

(62) Division of application No. 29/146,778, filed on Aug. 15, 2001.

(51) **LOC (7) Cl.** **14-02**

(52) **U.S. Cl.** **D14/345**

(58) **Field of Search** D14/341-346;
D18/1, 2, 6, 7; 235/145 A, 145 R; 341/22,
23; 345/156, 168, 169, 172, 173; 349/12;
361/680-686

(56) **References Cited**

U.S. PATENT DOCUMENTS

D333,298 S	*	2/1993	Raslowsky et al.	D14/345
D354,742 S	*	1/1995	Hamilton	D14/339
D355,165 S		2/1995	Sakaguchi et al.	D14/345
D372,898 S	*	8/1996	Shan	D14/345
D377,786 S	*	2/1997	Jones et al.	D14/345
D432,099 S		10/2000	Loh et al.	D14/345
D448,763 S		10/2001	Ikenaga	D14/345
D459,343 S		6/2002	Tischer	D14/230

OTHER PUBLICATIONS

Copy of Technical Specifications Sheet of Research In Motion (RIM) Wireless Handheld devices—downloaded from Internet of Jun. 12, 2001.

* cited by examiner

Primary Examiner—Freda Nunn

(74) *Attorney, Agent, or Firm*—Kirkpatrick & Lockhart LLP

(57) **CLAIM**

The ornamental design for the wireless communication device, as shown and described.

DESCRIPTION

FIG. 1 is a perspective view of the wireless communication device of the present invention with a portion thereof in a first position;

FIG. 2 is a top view of the wireless communication device of FIG. 1;

FIG. 3 is a bottom view of the wireless communication device of FIGS. 1 and 2;

FIG. 4 is a front view of the wireless communication device of FIGS. 1-3;

FIG. 5 is a rear view of the wireless communication device of FIGS. 1-4;

FIG. 6 is a right side view of the wireless communication device of FIGS. 1-5;

FIG. 7 is a left side view of the wireless communication device of FIGS. 1-6;

FIG. 8 is a perspective view of the wireless communication device of FIG. 1 with the portion thereof in a second position;

FIG. 9 is a top view of the wireless communication device of FIG. 8;

FIG. 10 is a bottom view of the wireless communication device of FIGS. 8 and 9;

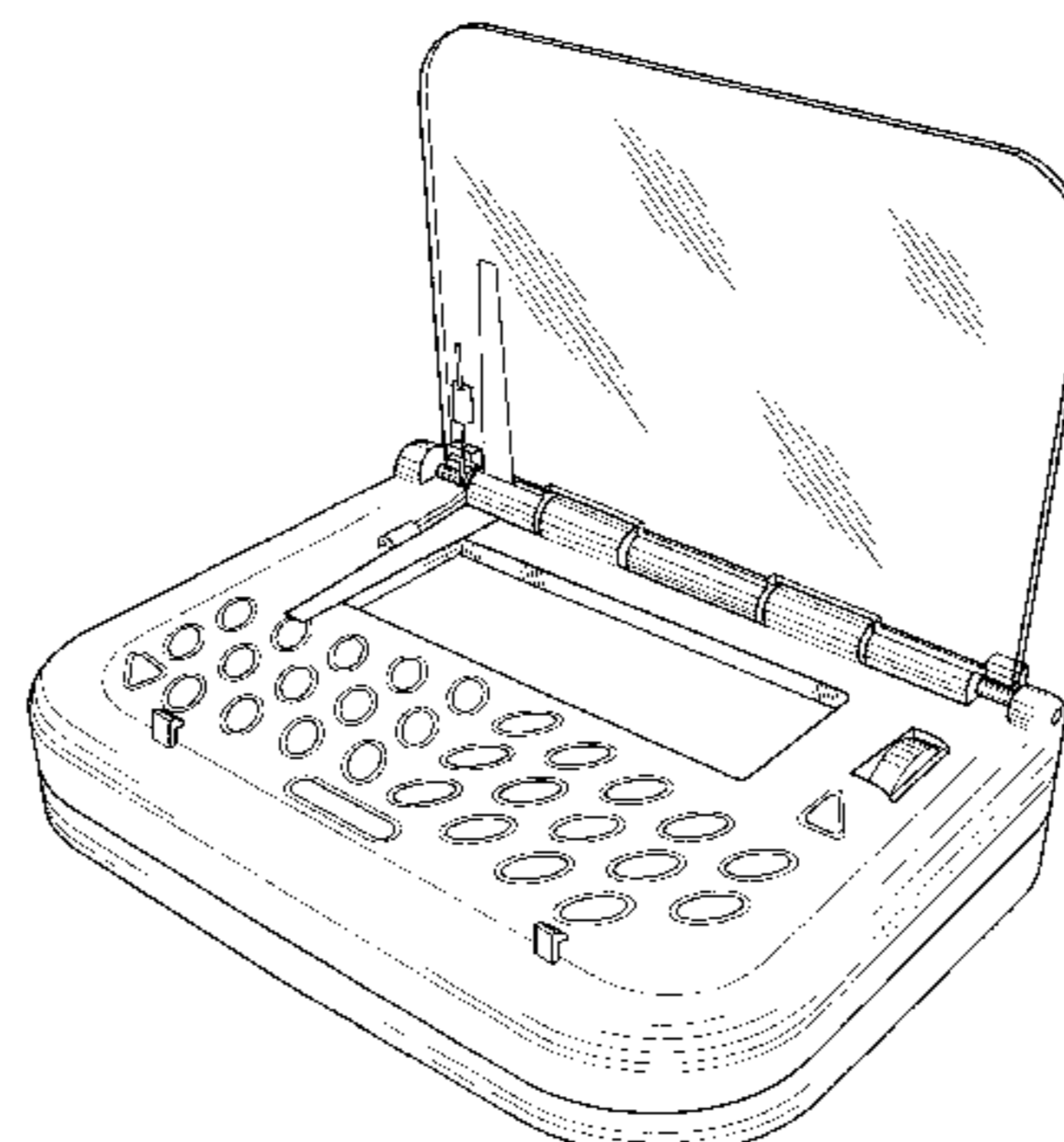
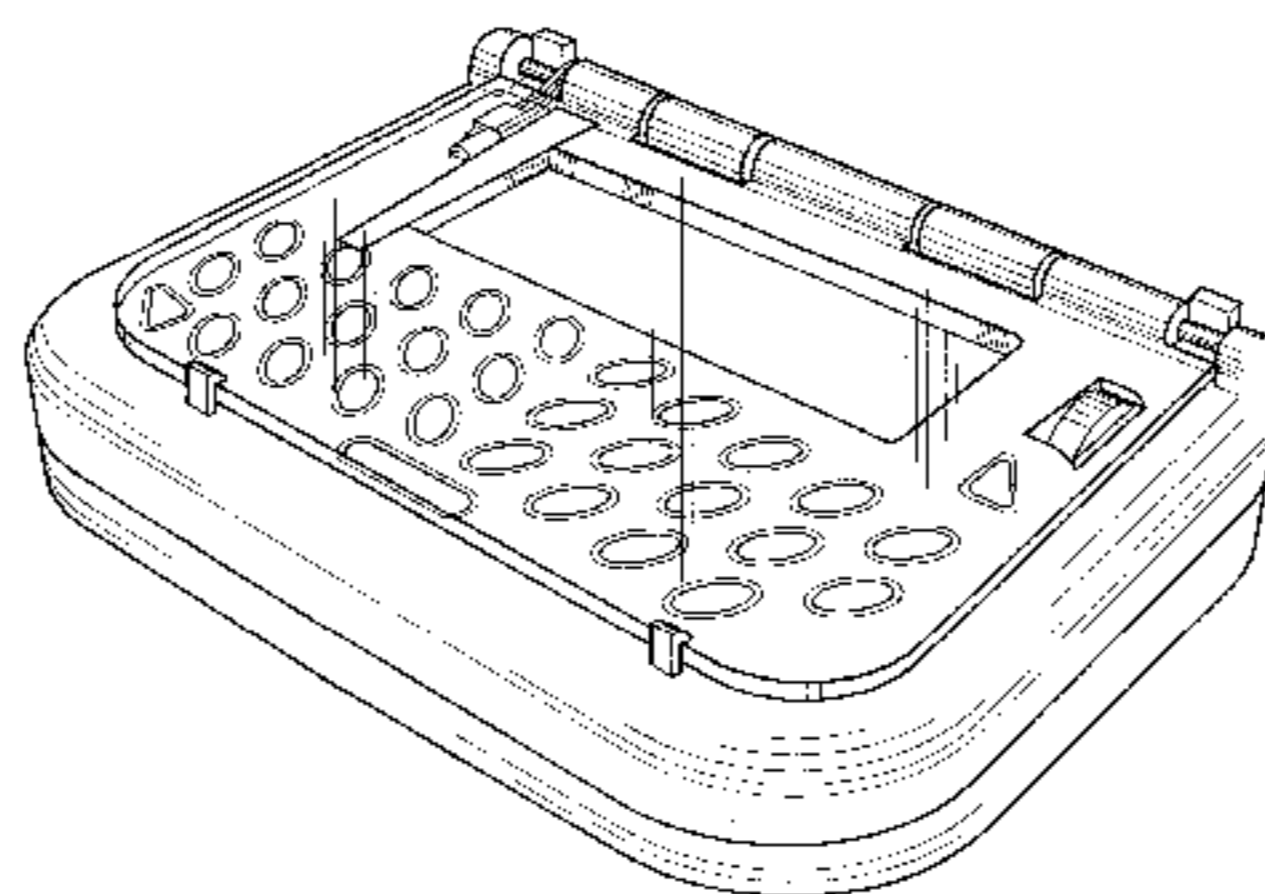
FIG. 11 is a front view of the wireless communication device of FIGS. 8-10;

FIG. 12 is a rear view of the wireless communication device of FIGS. 8-11;

FIG. 13 is a right side view of the wireless communication device of FIGS. 8-12; and,

FIG. 14 is a left side view of the wireless communication device of FIGS. 8-13.

1 Claim, 8 Drawing Sheets



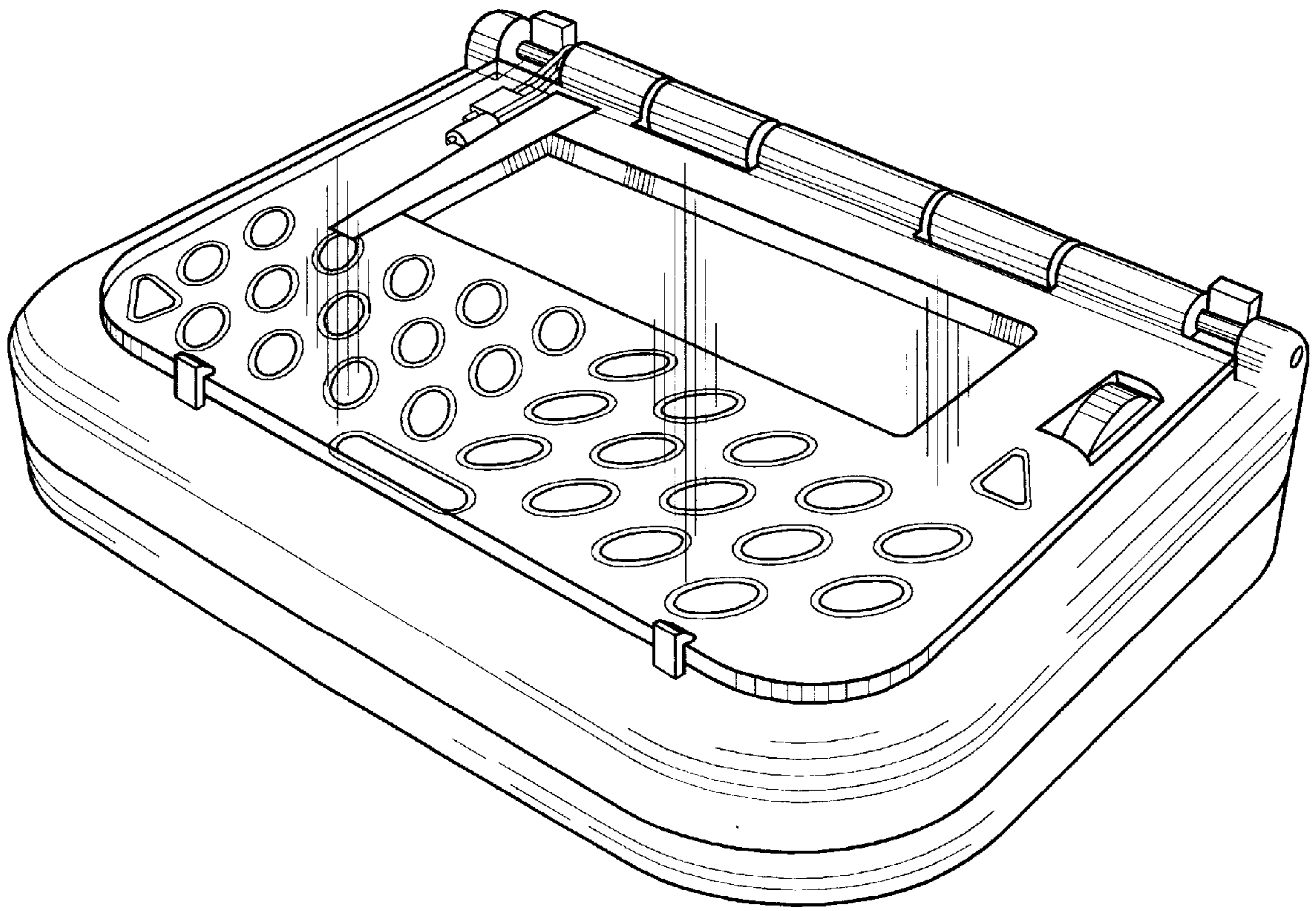


Fig. 1

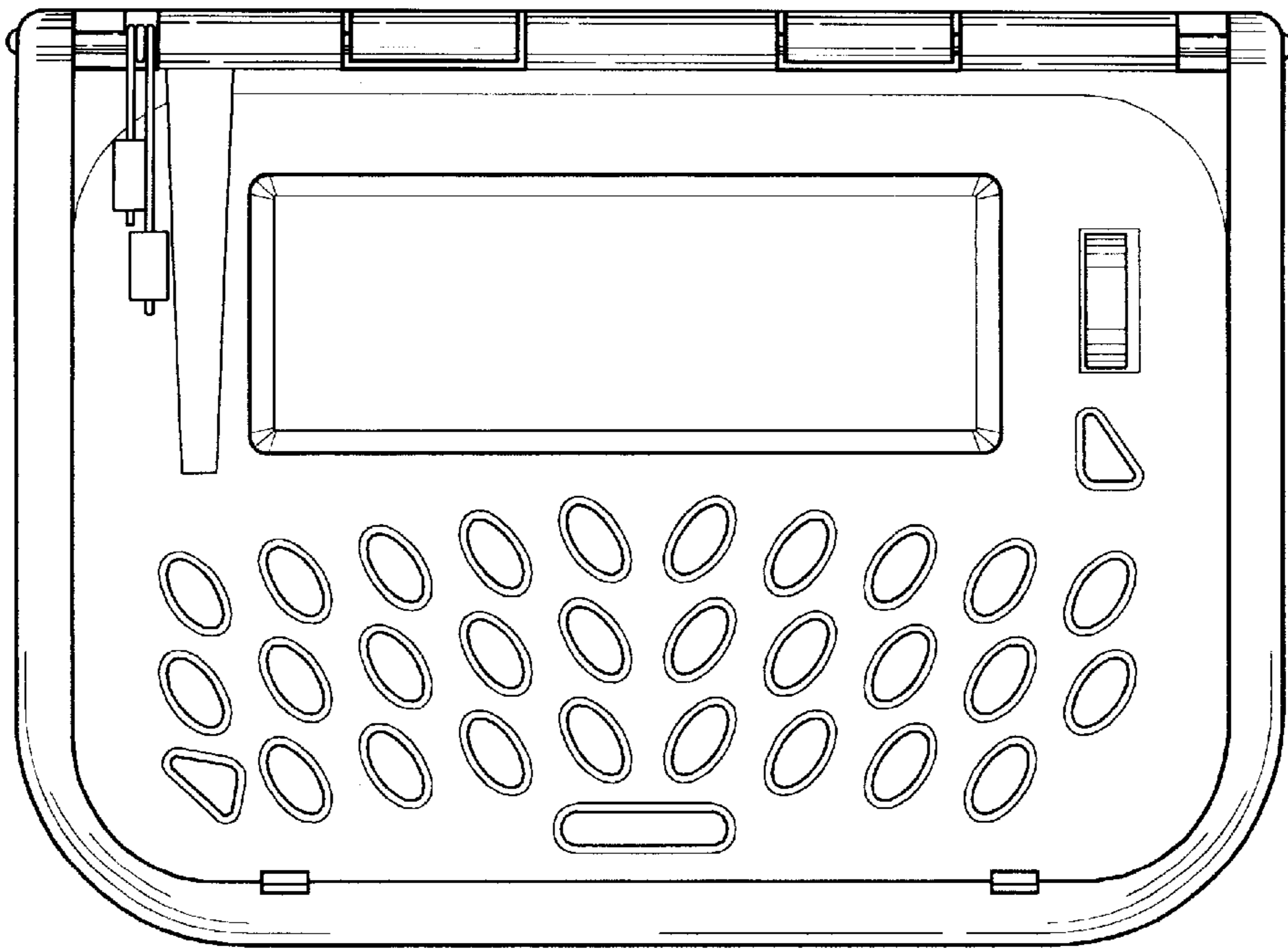


Fig. 2

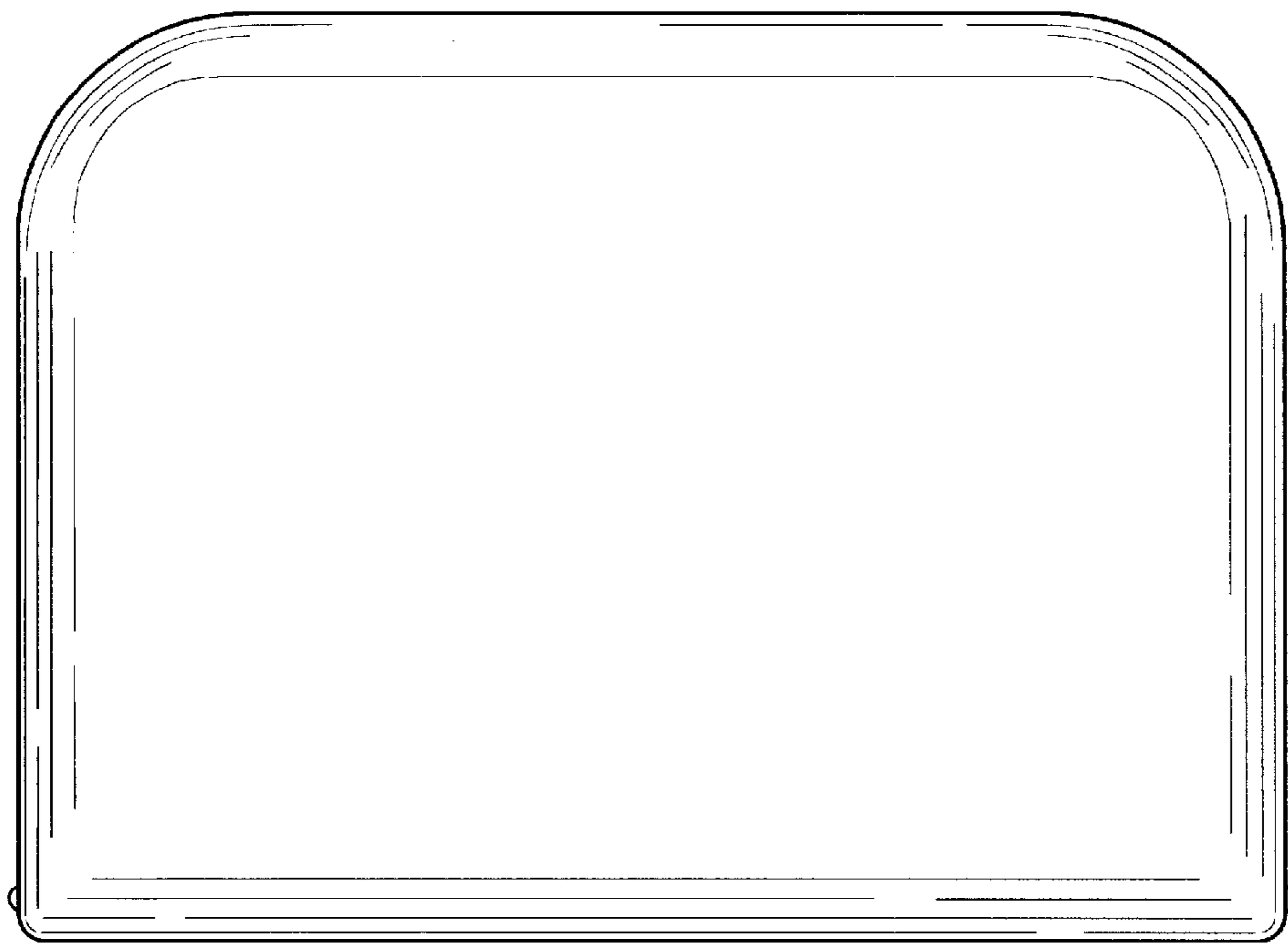


Fig. 3

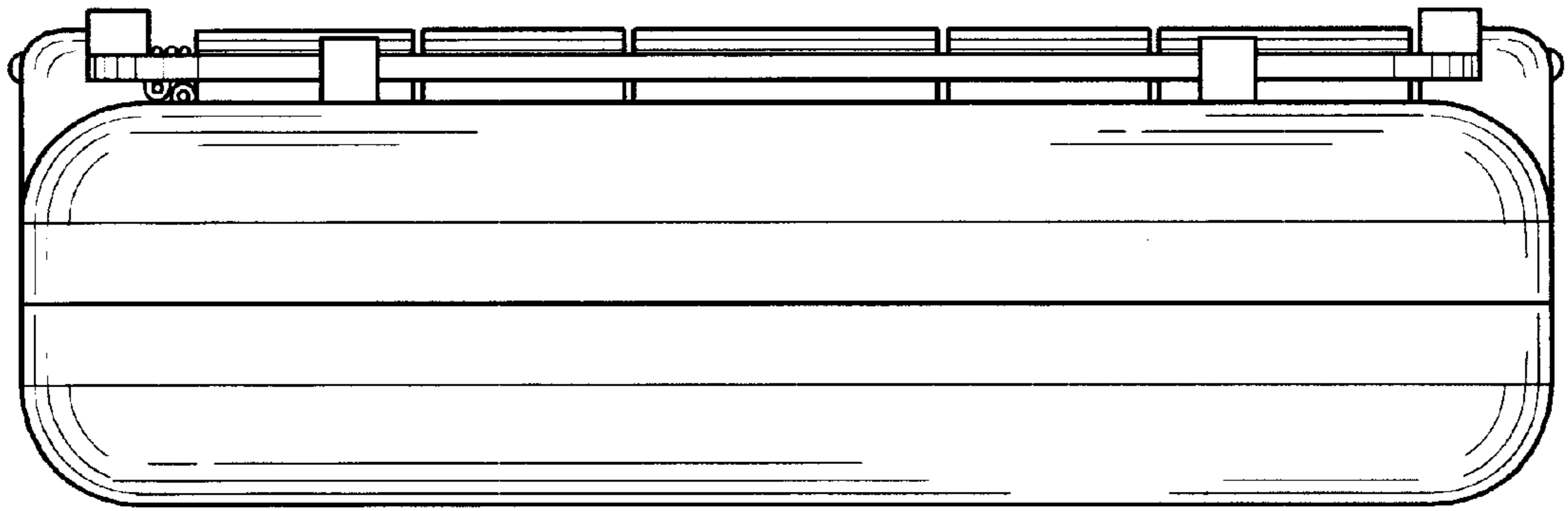


Fig. 4

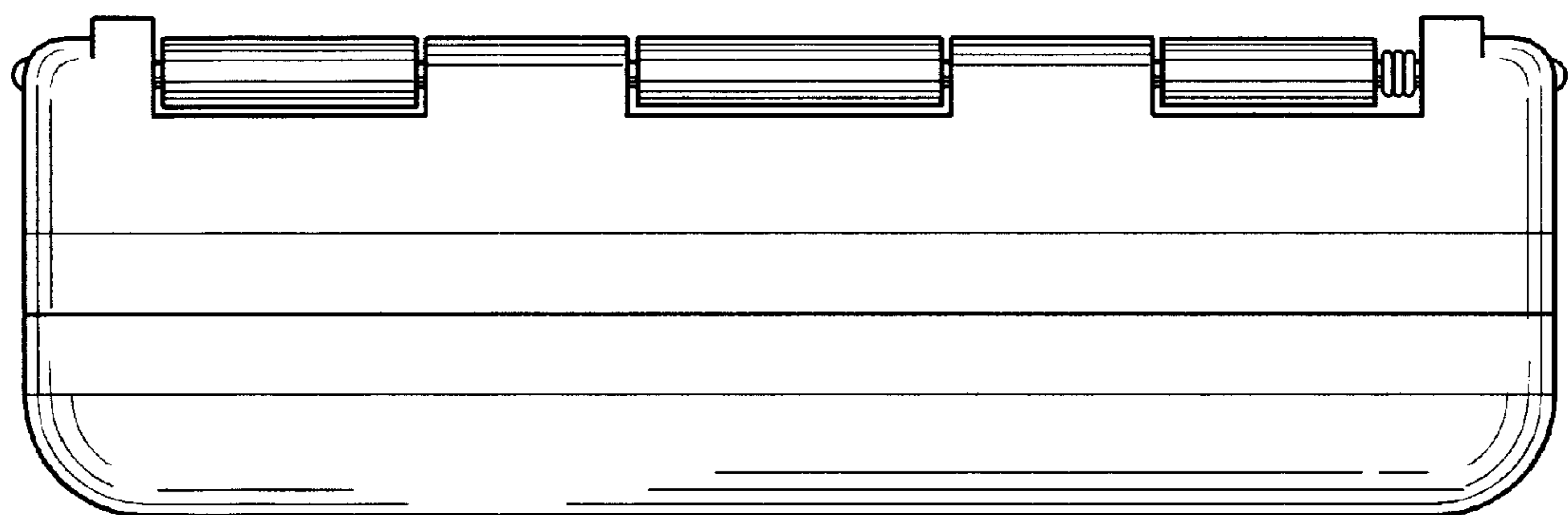


Fig. 5

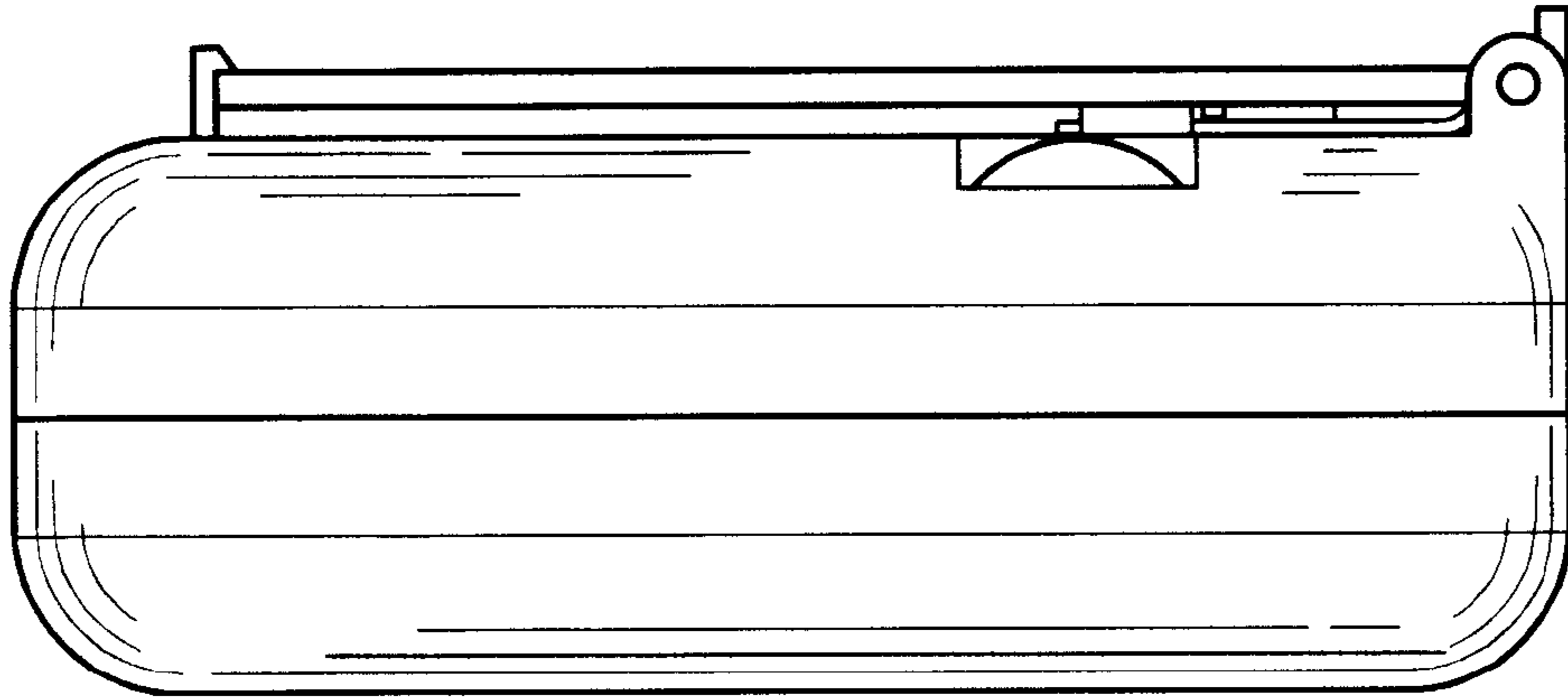


Fig. 6

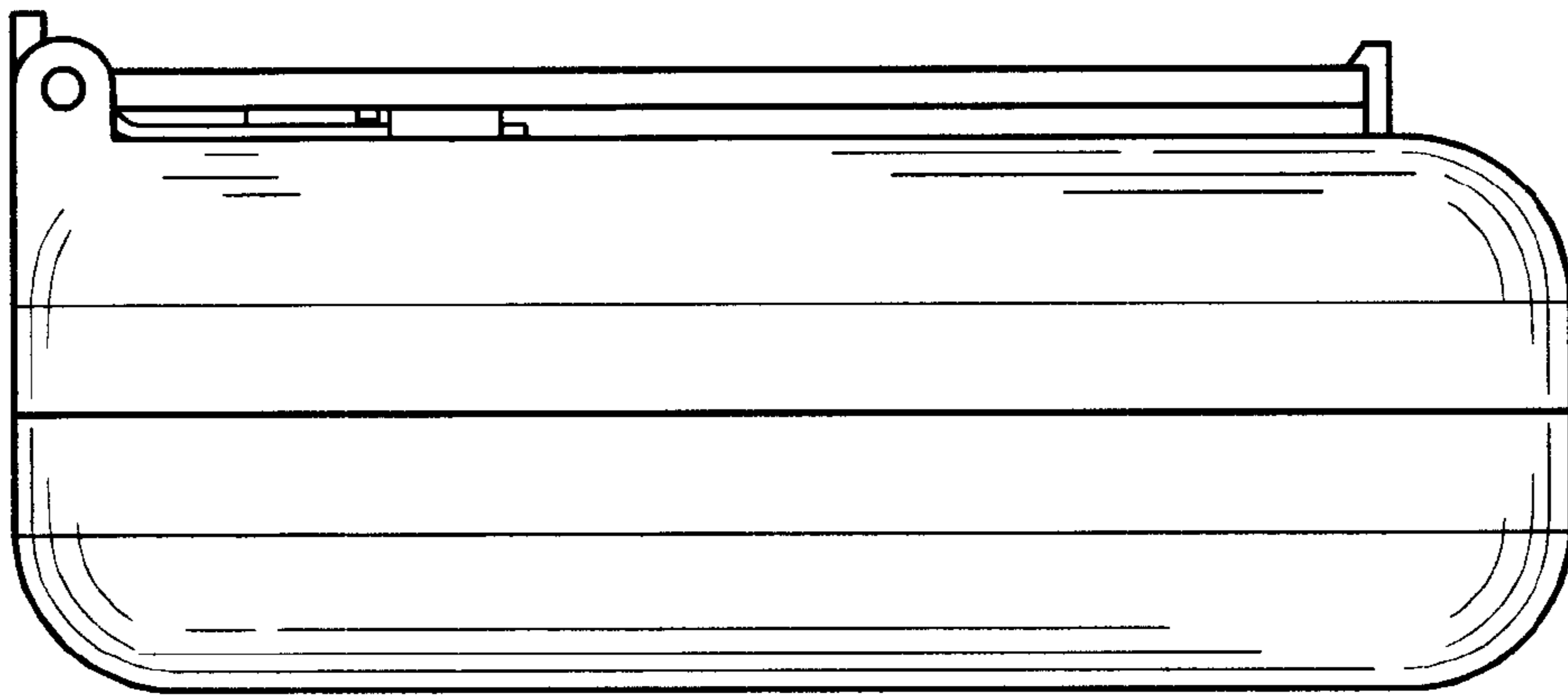


Fig. 7

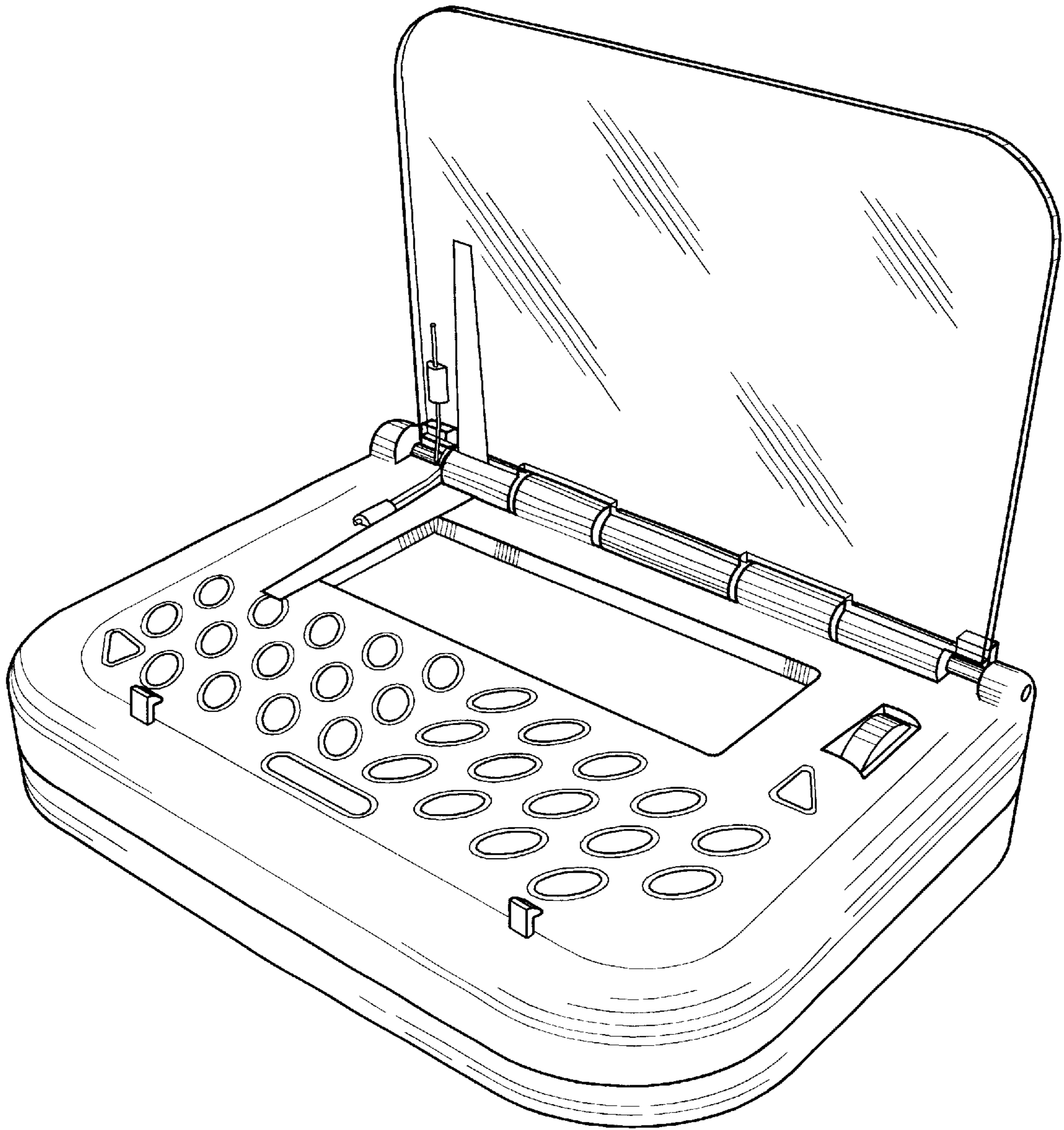


Fig.8

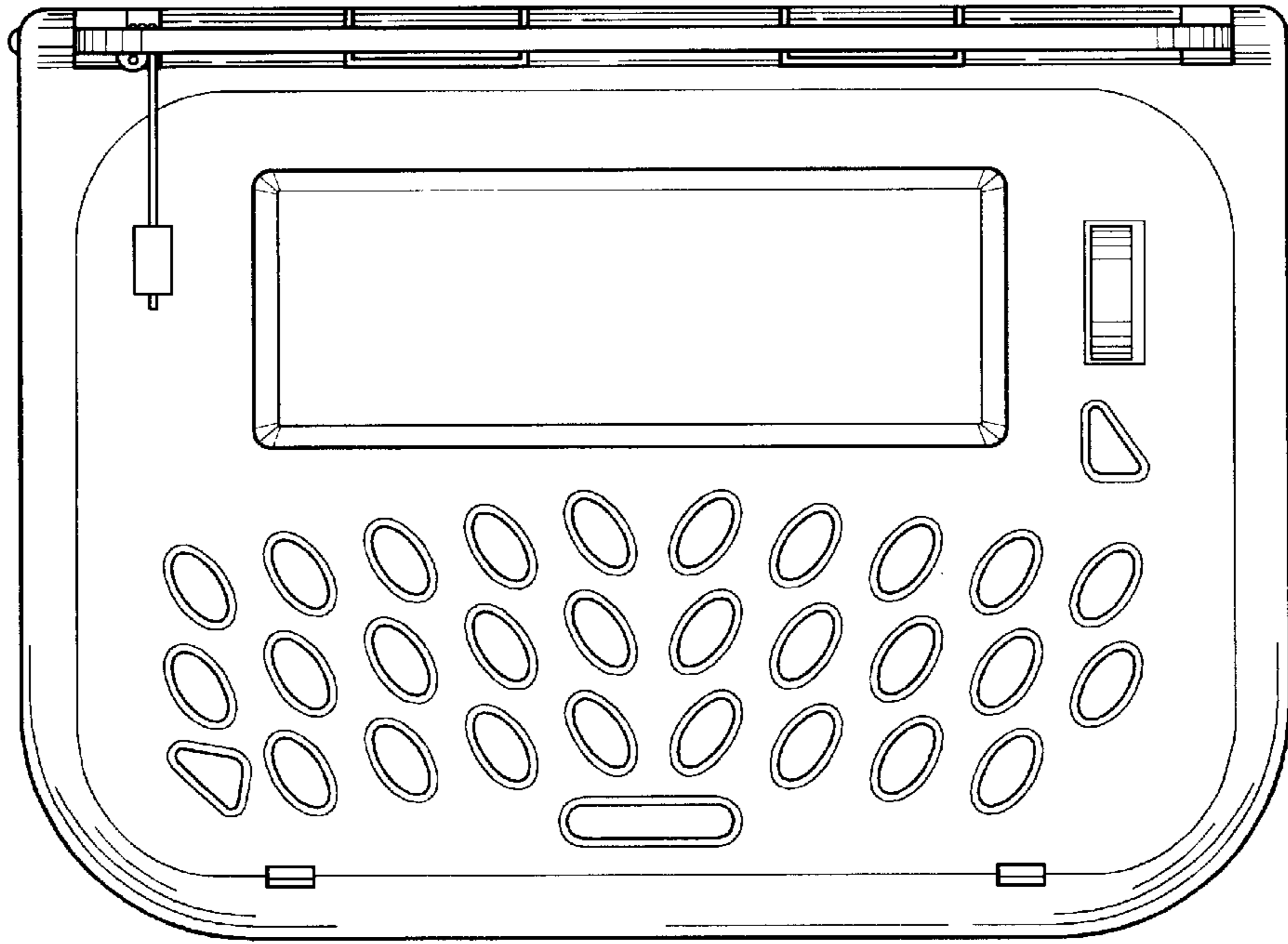


Fig. 9

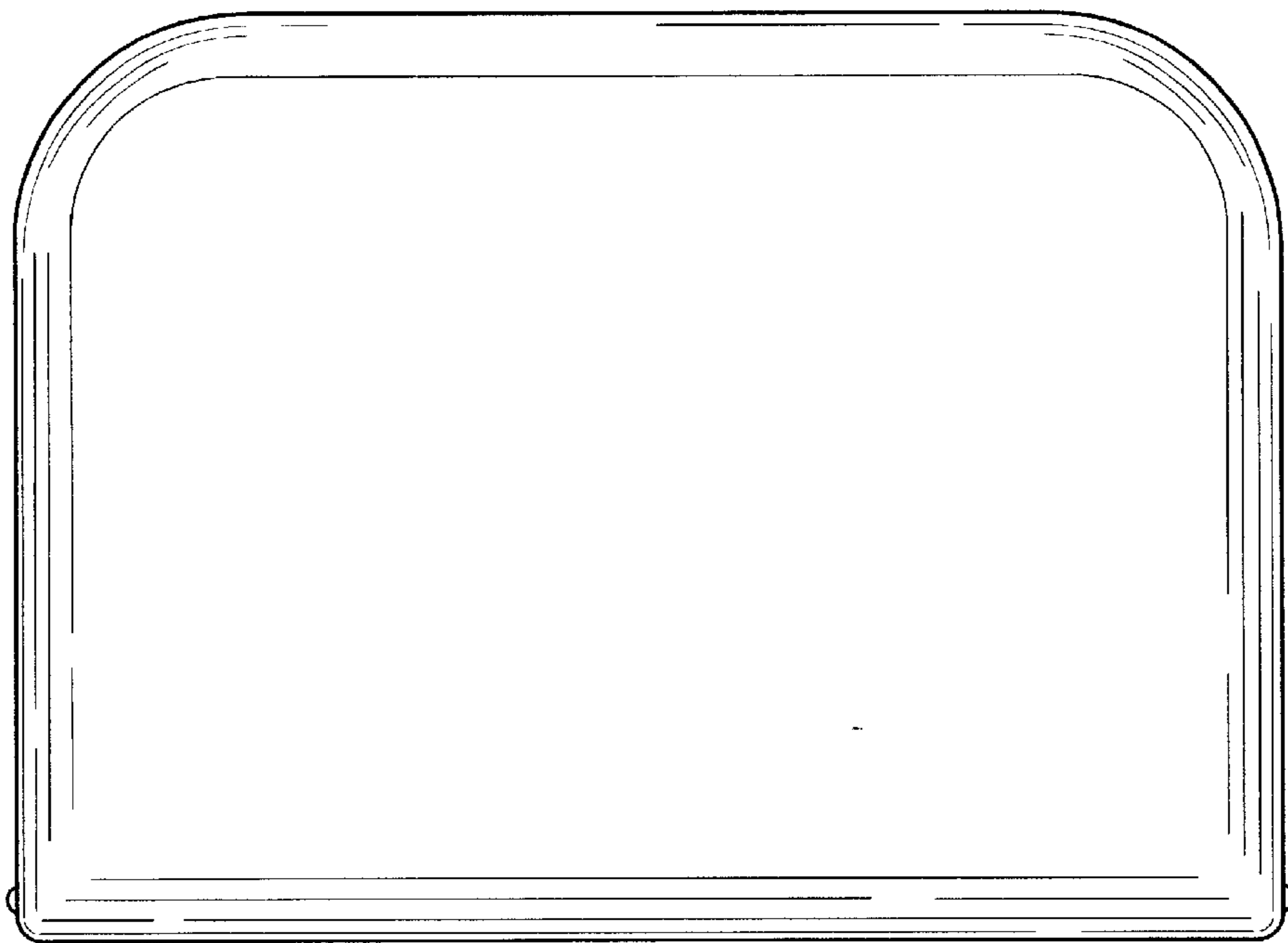


Fig. 10

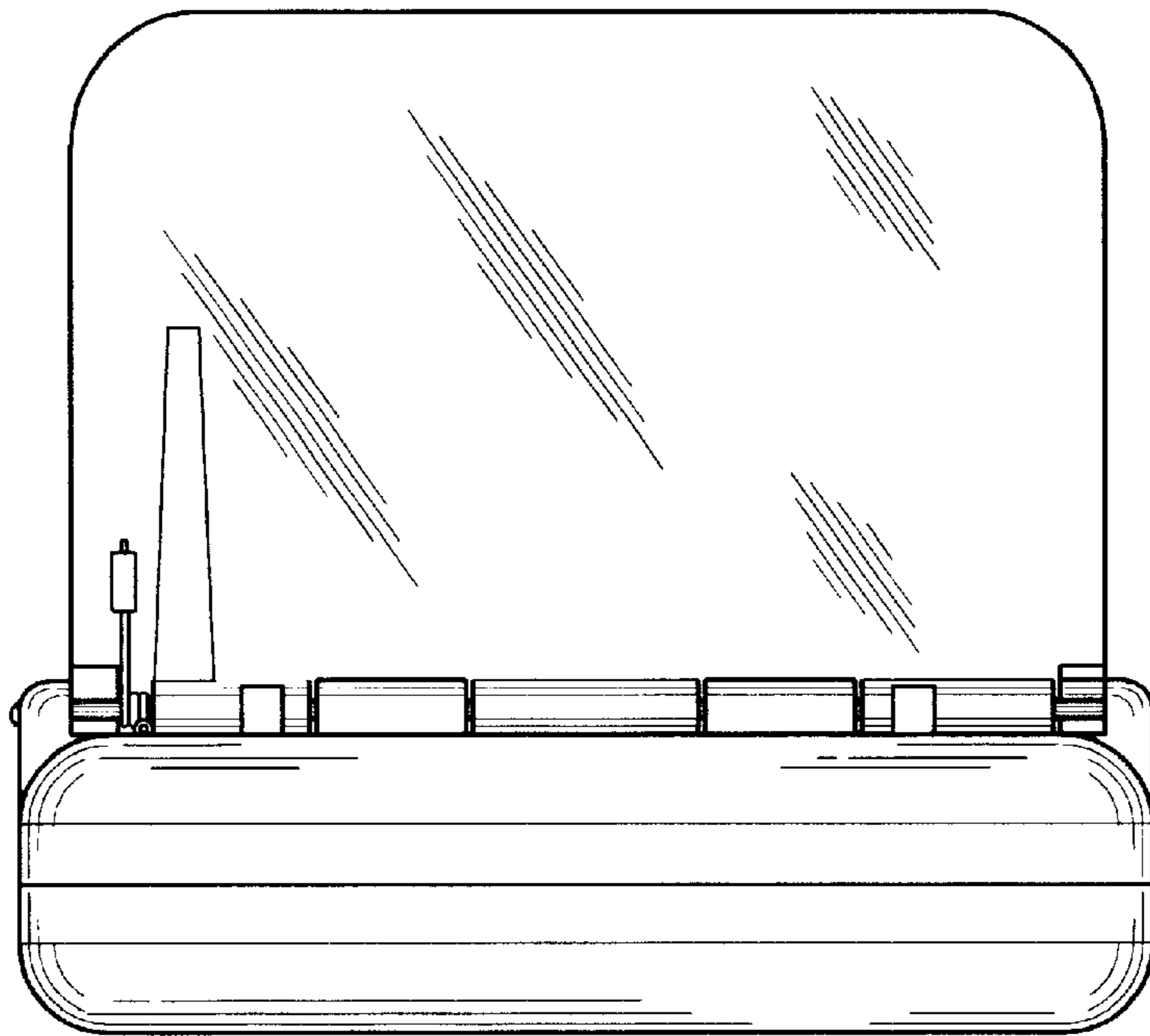


Fig. 11

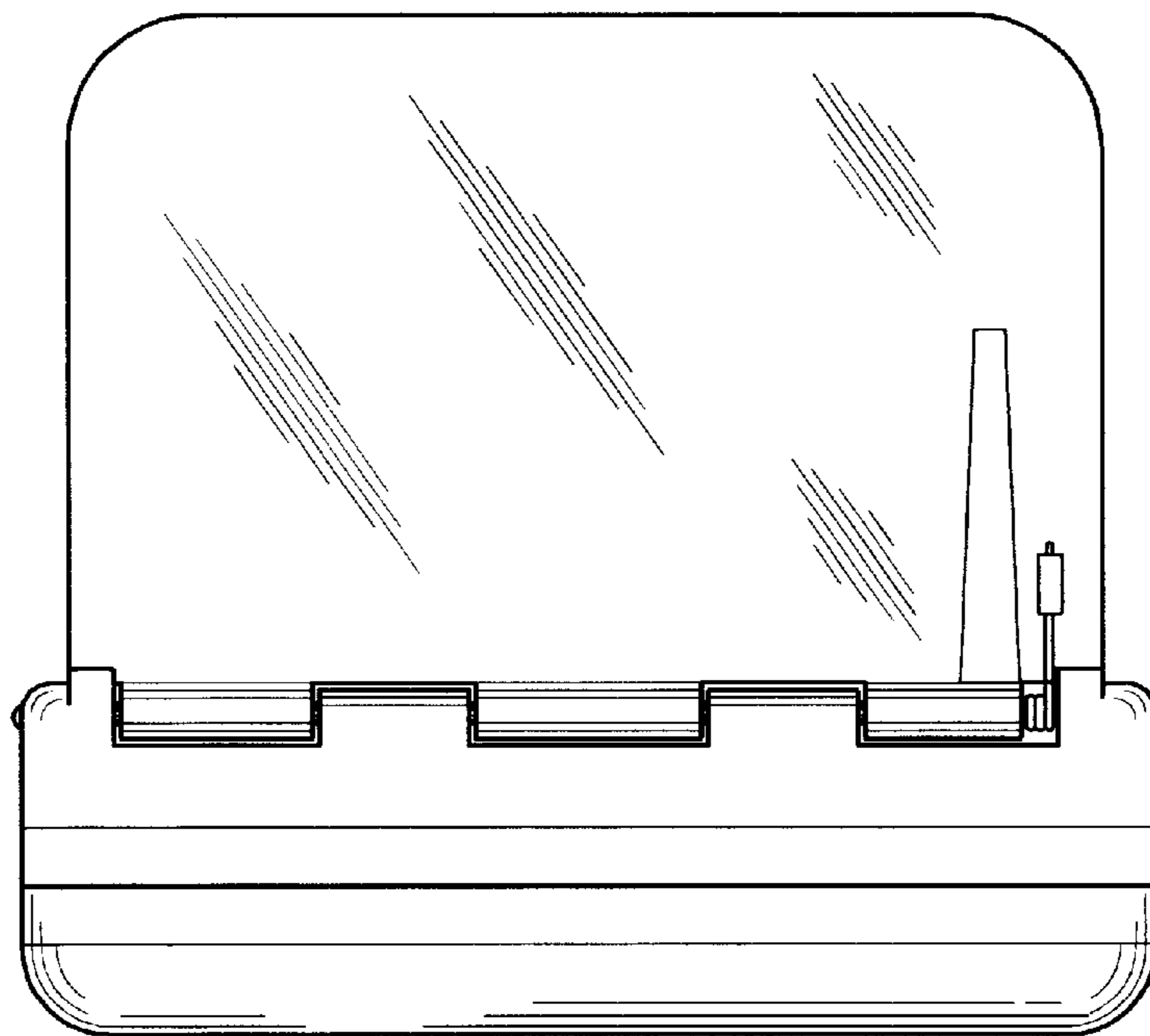


Fig. 12

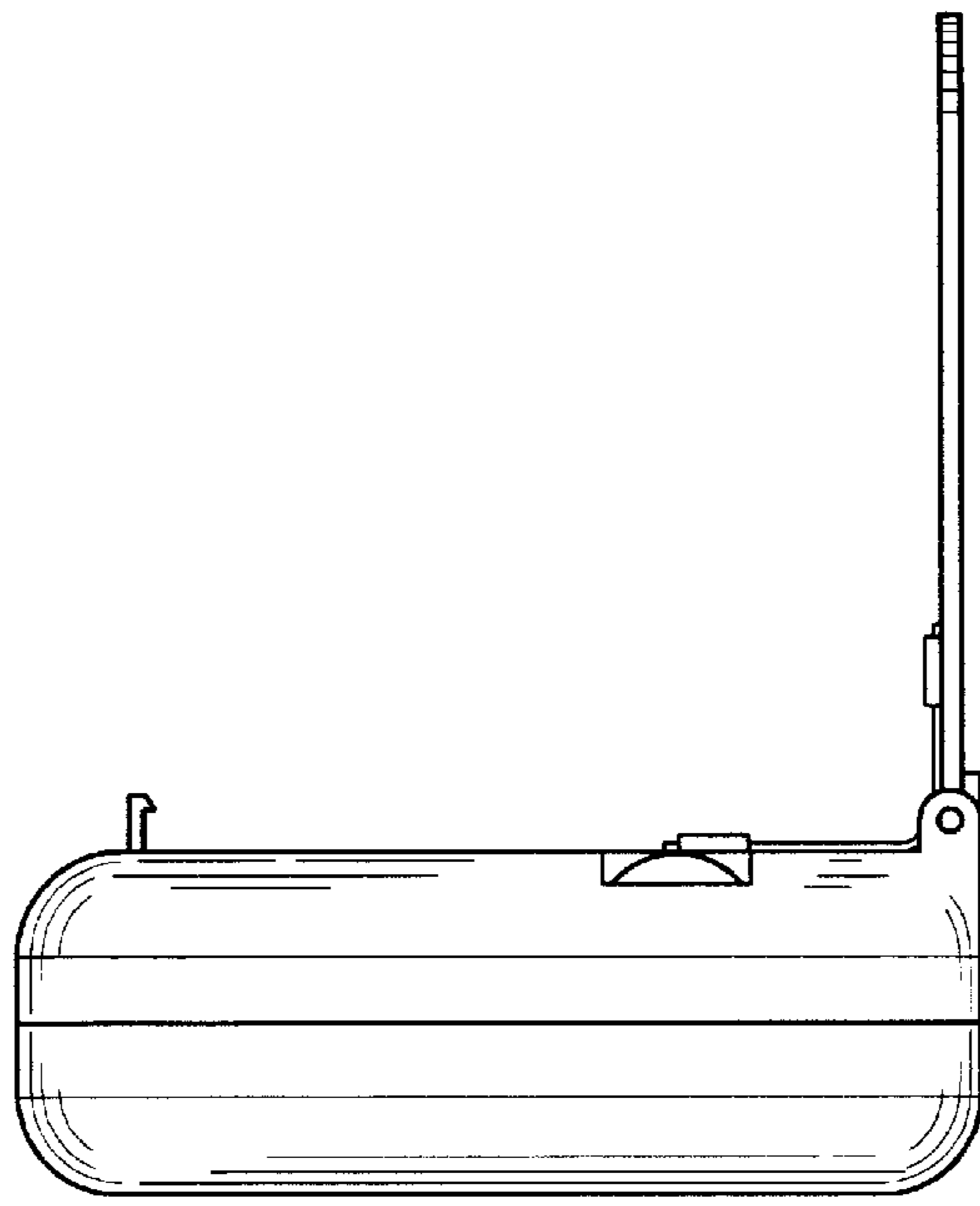


Fig. 13

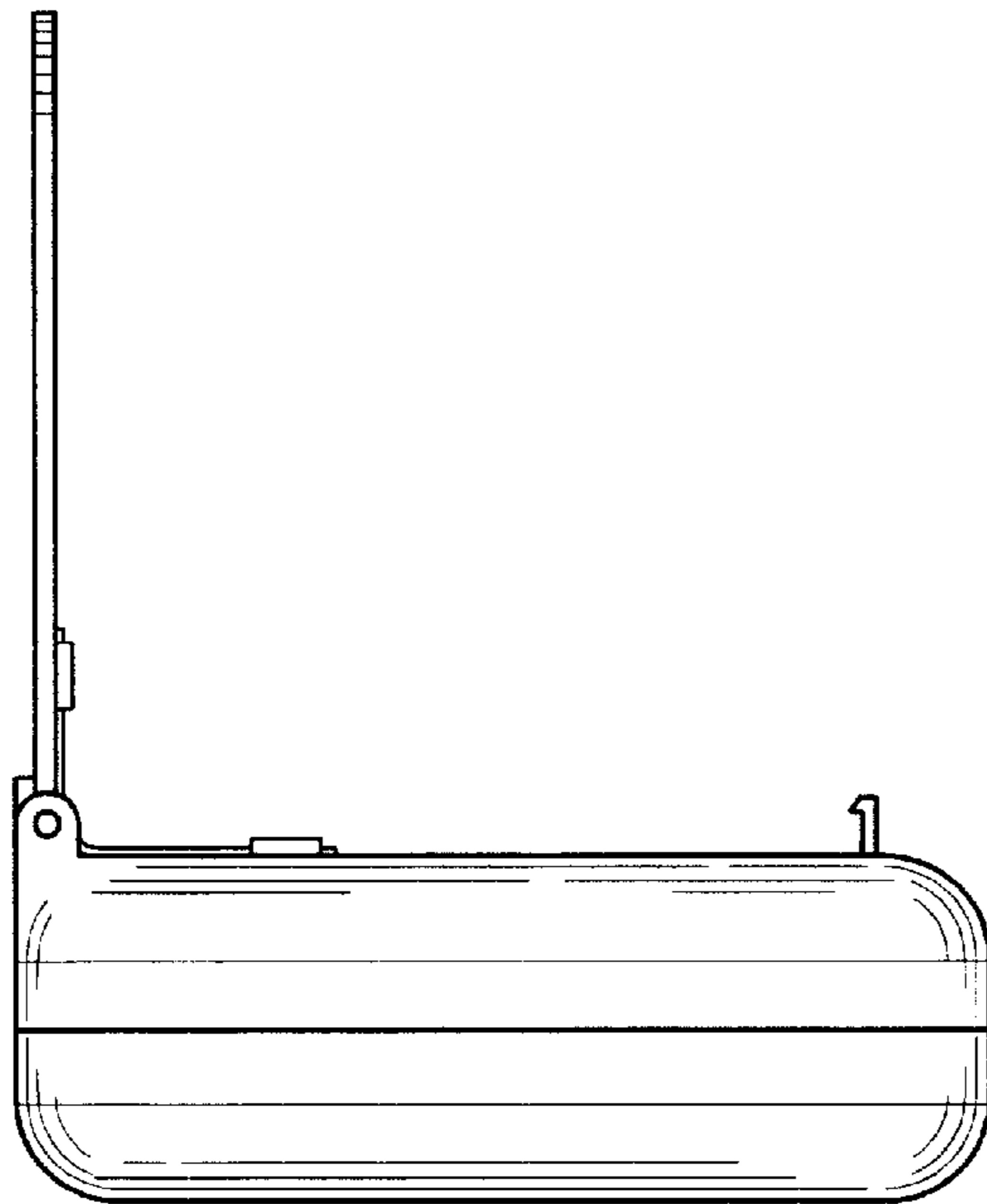


Fig. 14