



US00D467911S

(12) **United States Design Patent** (10) **Patent No.:** **US D467,911 S**
Lee (45) **Date of Patent:** **** Dec. 31, 2002**

- (54) **HANDS FREE ADAPTER**
- (75) Inventor: **Johan Lee**, Sunnyside, NY (US)
- (73) Assignee: **Coby Electronics Corporation**, Maspeth, NY (US)
- (**) Term: **14 Years**
- (21) Appl. No.: **29/149,092**
- (22) Filed: **Oct. 2, 2001**
- (51) **LOC (7) Cl.** **14-03**
- (52) **U.S. Cl.** **D14/243; D14/240**
- (58) **Field of Search** D14/137, 138, D14/240, 243, 245, 204, 210, 215, 216, 225-228, 417, 195, 160, 168, 217, 147-149, 163, 165, 248-249, 194, 156, 144, 256, 142, 496; 379/433.01-433.13, 419, 441, 442, 432, 428.01-428.04, 430, 420.01-420.04, 454, 455, 440, 434-436, 388.01, 388.02; 455/550-575, 90; D13/110, 108, 107, 144; 320/110-115; D21/324, 405; D10/104

- D437,319 S * 2/2001 Hui D14/355
- D446,554 S * 8/2001 Gautieri et al. D21/405
- D448,754 S * 10/2001 Chang D14/217

* cited by examiner

Primary Examiner—Jeffrey Asch
(74) *Attorney, Agent, or Firm*—Brown Raysman Millstein Felder & Steiner LLP

(57) **CLAIM**

The ornamental design for a hands free adapter, as shown and described.

DESCRIPTION

A portion of the disclosure of this patent document contains material which is subject to copyright protection. The copyright owner has no objection to the facsimile reproduction by anyone of the patent document or the patent disclosure, as it appears in the Patent and Trademark Office patent files or records, but otherwise reserves all copyright rights whatsoever.

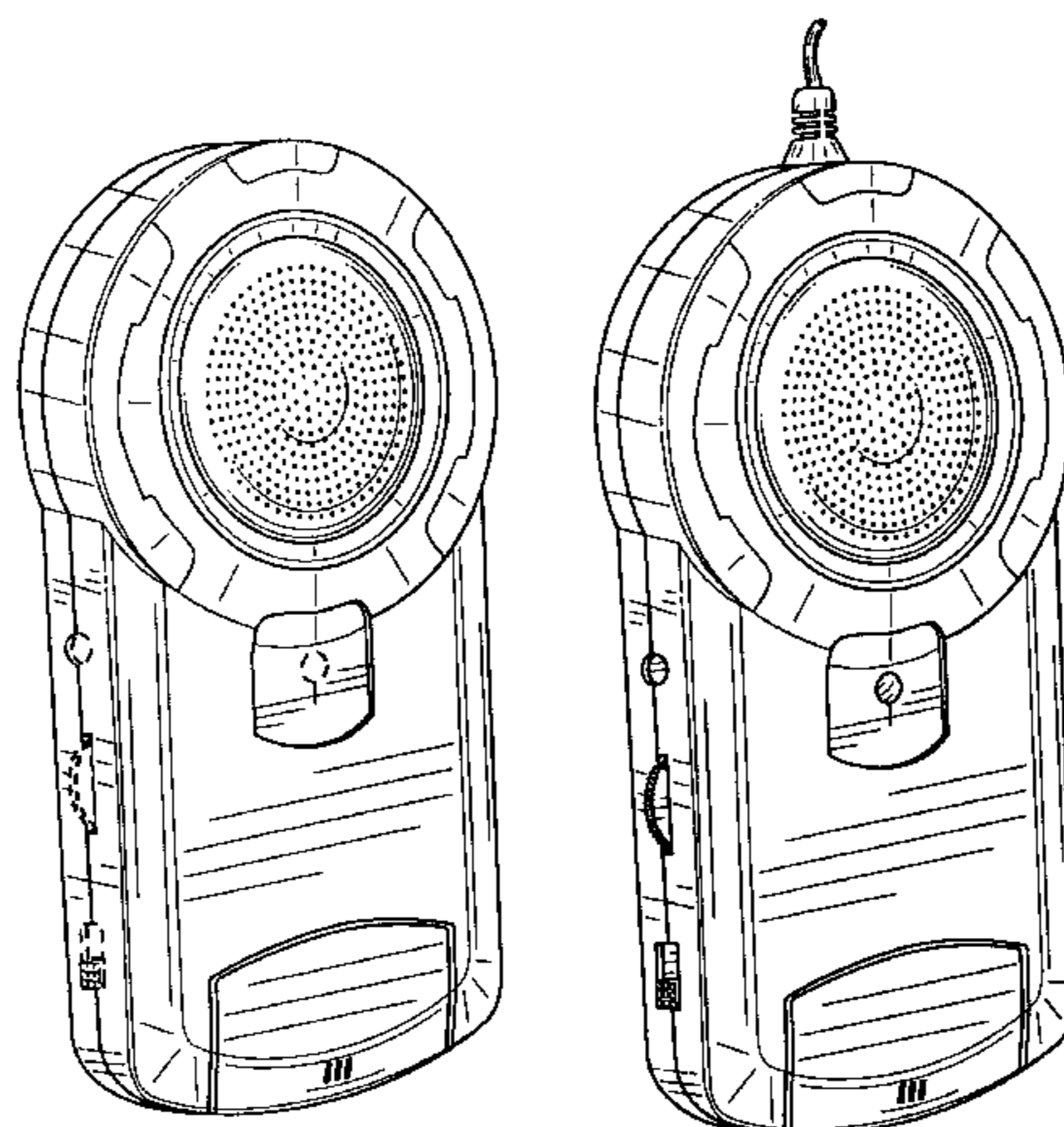
- FIG. 1 is a perspective view of the front and one side of a first embodiment of my new design;
- FIG. 2 is a front view of the first embodiment thereof;
- FIG. 3 is a back view of the first embodiment thereof;
- FIG. 4 is a side view of one side of the first embodiment thereof;
- FIG. 5 is a side view of the other side of the first embodiment thereof;
- FIG. 6 is a top view of the first embodiment thereof;
- FIG. 7 is a bottom view of the first embodiment thereof;
- FIG. 8 is a perspective view of the front and one side of a second embodiment thereof;
- FIG. 9 is a front view of the second embodiment thereof;
- FIG. 10 is a back view of the second embodiment thereof;
- FIG. 11 is a side view of one side of the second embodiment thereof;
- FIG. 12 is a side view of the other side of the second embodiment thereof;
- FIG. 13 is a top view of the second embodiment thereof; and,
- FIG. 14 is a bottom view of the second embodiment thereof.

(56) **References Cited**

U.S. PATENT DOCUMENTS

D216,374 S	*	12/1969	Yran	D14/168
D224,156 S	*	7/1972	Hunter	D14/195
D262,222 S	*	12/1981	Vernon, Jr.	D21/324
D269,432 S	*	6/1983	Kowalik, Jr. et al.	D14/243
D281,776 S	*	12/1985	Griffin	D14/417
D306,588 S	*	3/1990	Kashiwagi	D14/163
D306,589 S	*	3/1990	Murayama	D14/165
D311,185 S	*	10/1990	Chiassi	D14/142
D363,723 S	*	10/1995	Hellier et al.	D14/243
D364,162 S	*	11/1995	Dagan	D14/188
D368,721 S	*	4/1996	Howell et al.	D14/240
D375,748 S	*	11/1996	Hartman	D14/218
D378,371 S	*	3/1997	Mak	D14/194
D415,441 S	*	10/1999	Pinchuk	D10/104
D428,876 S	*	8/2000	Renkis	D14/230
D432,121 S	*	10/2000	Chen	D14/253
6,138,041 A	*	10/2000	Yahia	455/569
D436,094 S	*	1/2001	Yamada	D14/195
6,173,195 B1	*	1/2001	Chen	455/569

1 Claim, 8 Drawing Sheets



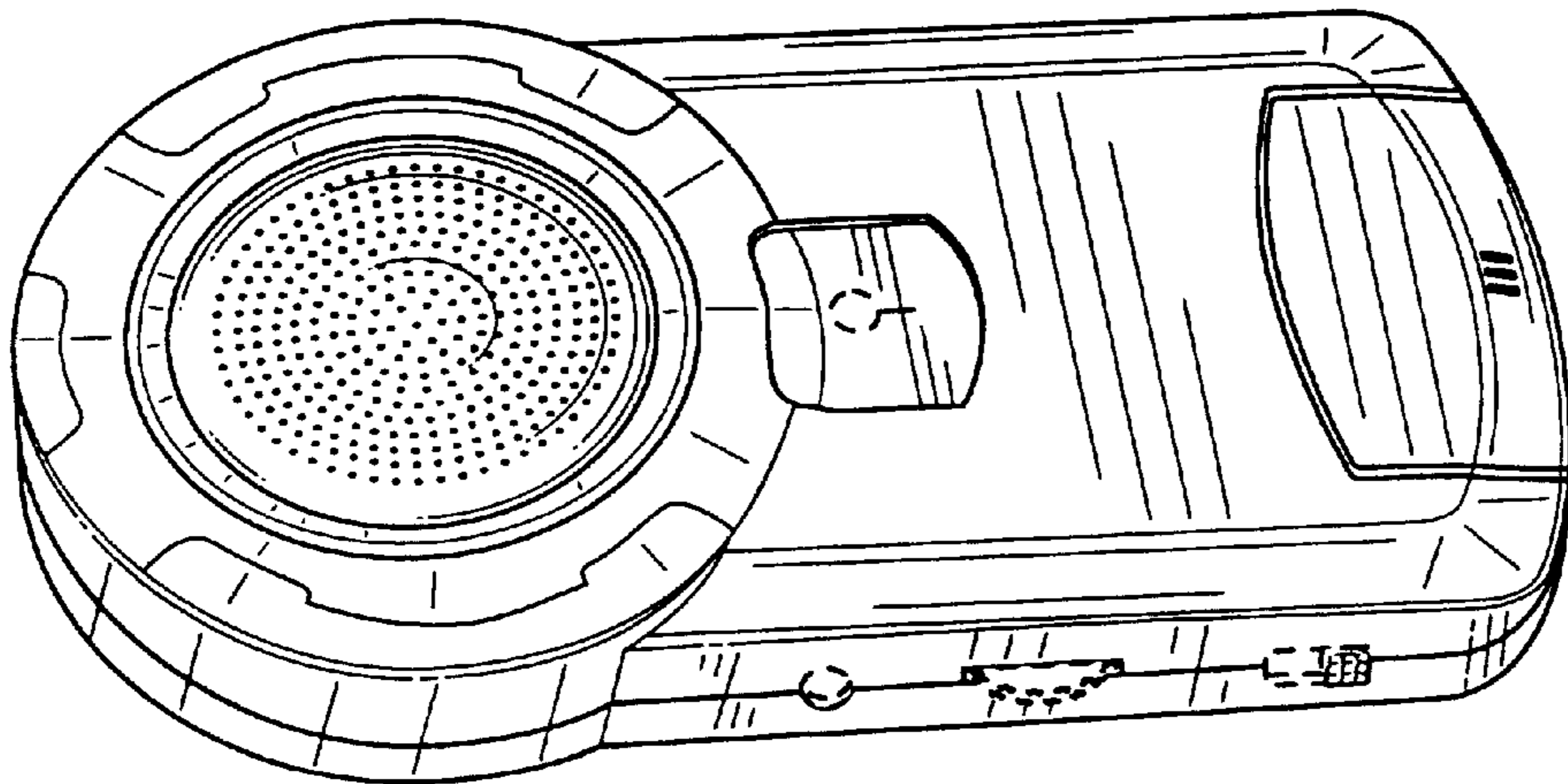


FIG. 1

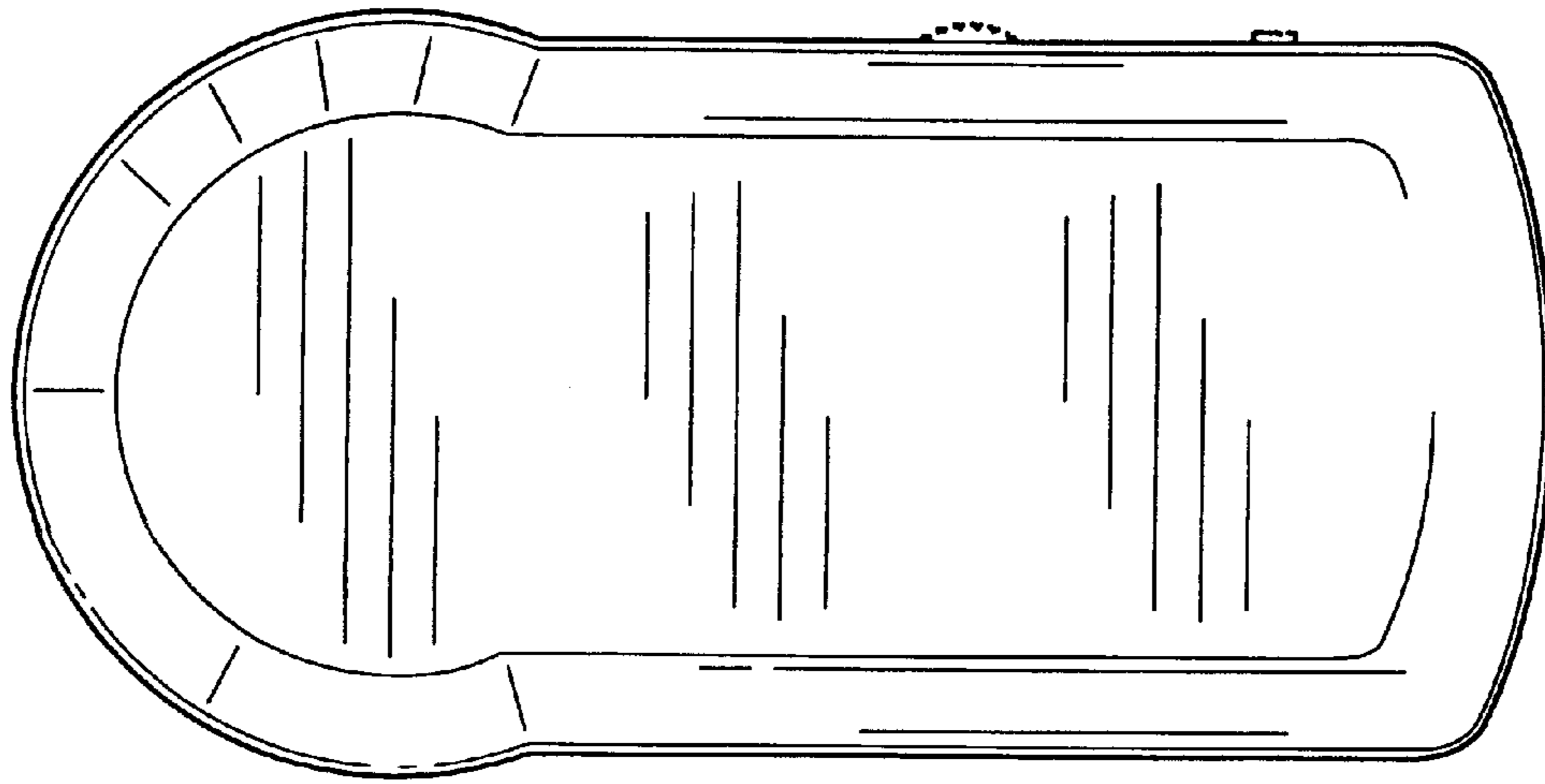


FIG. 3

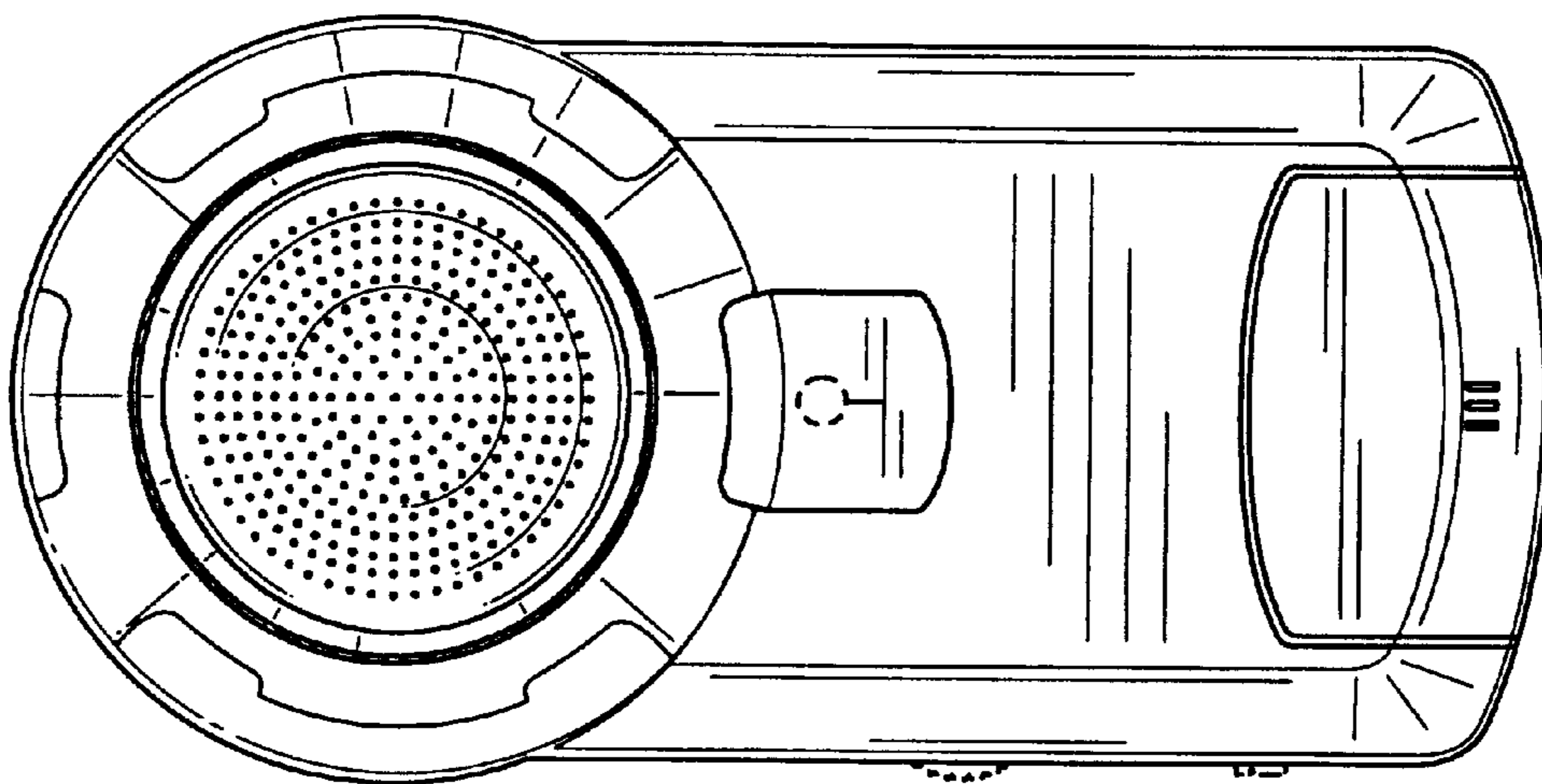


FIG. 2

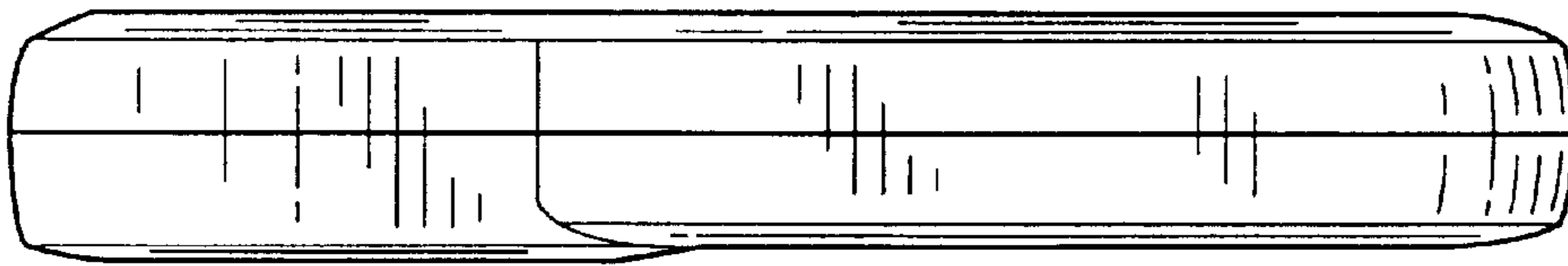


FIG. 5

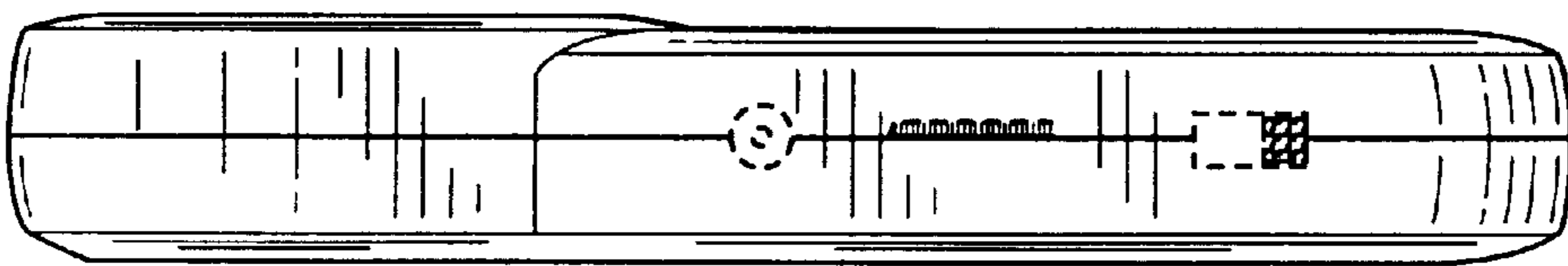


FIG. 4

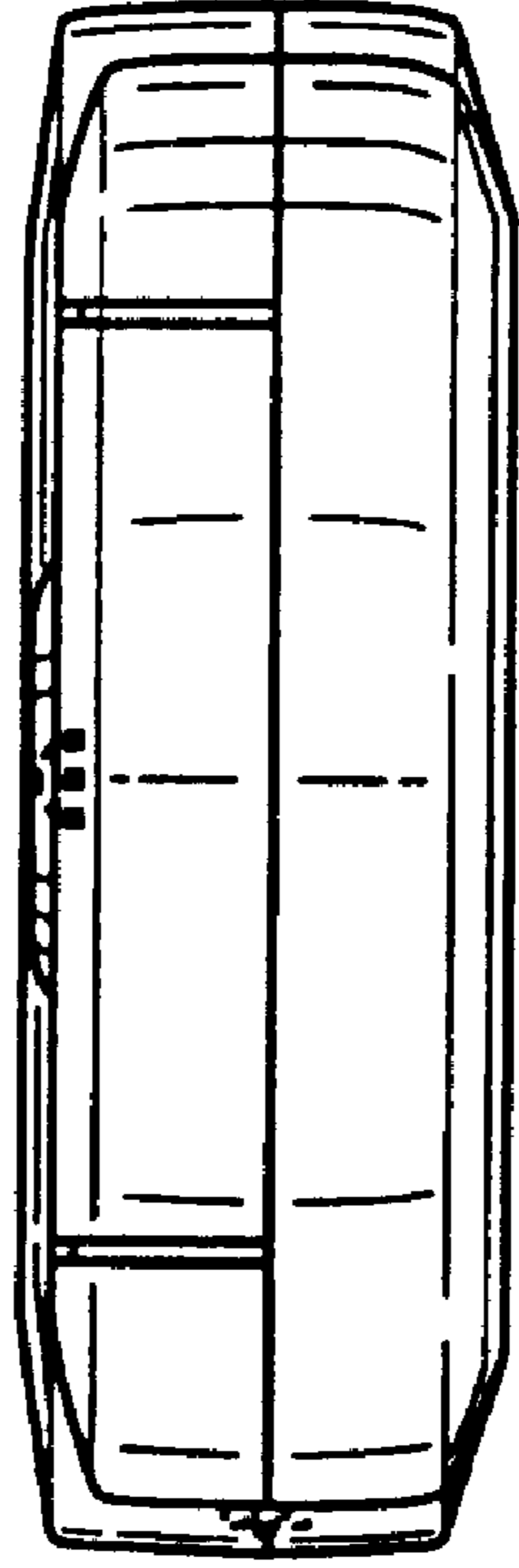


FIG. 7

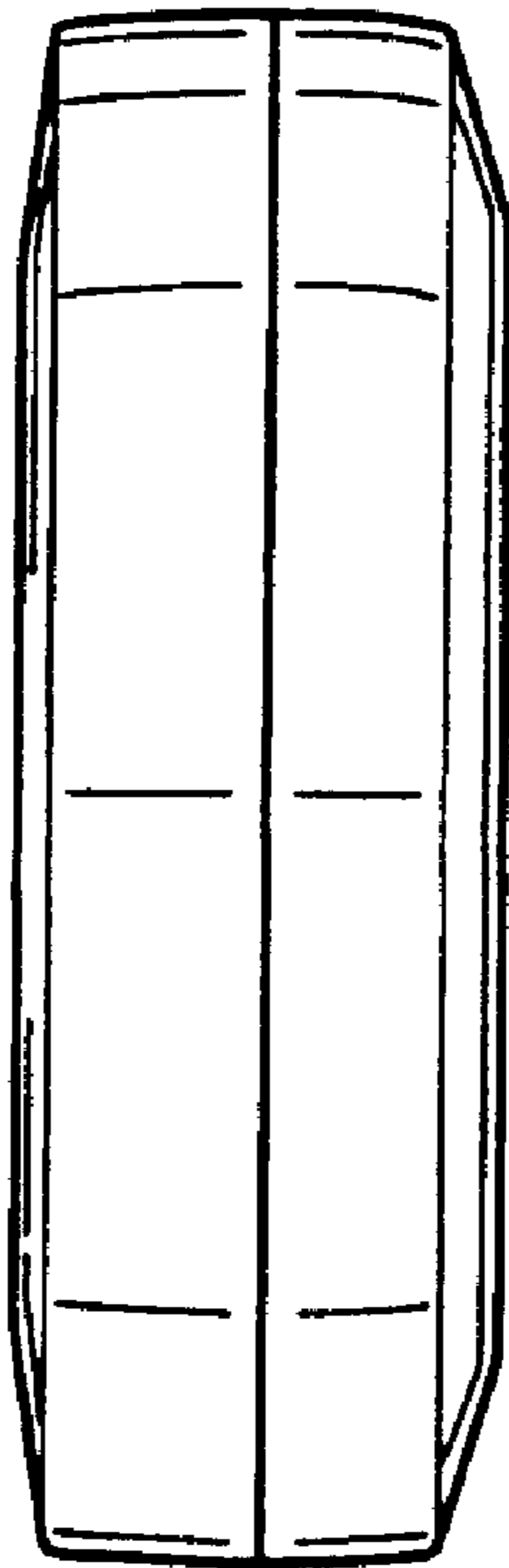


FIG. 6

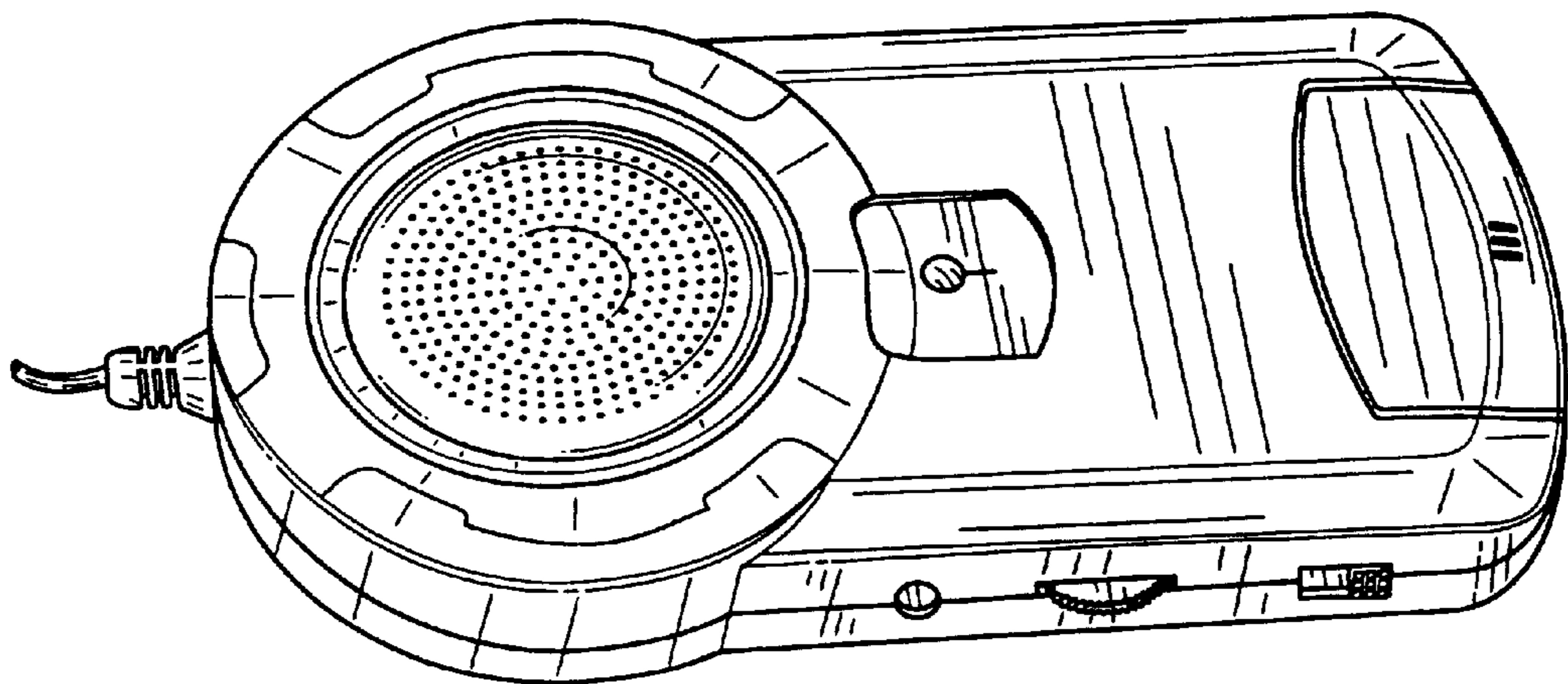


FIG. 8

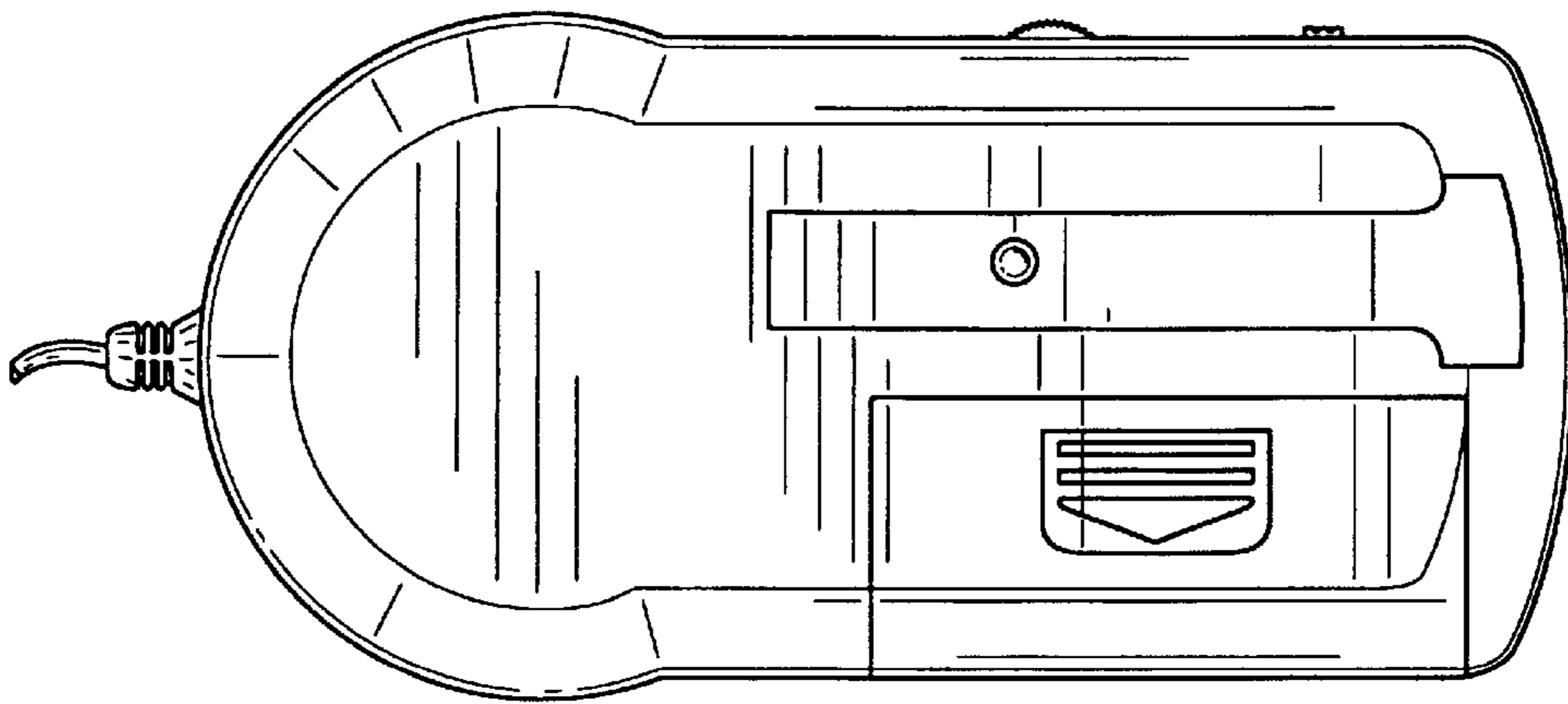


FIG. 9

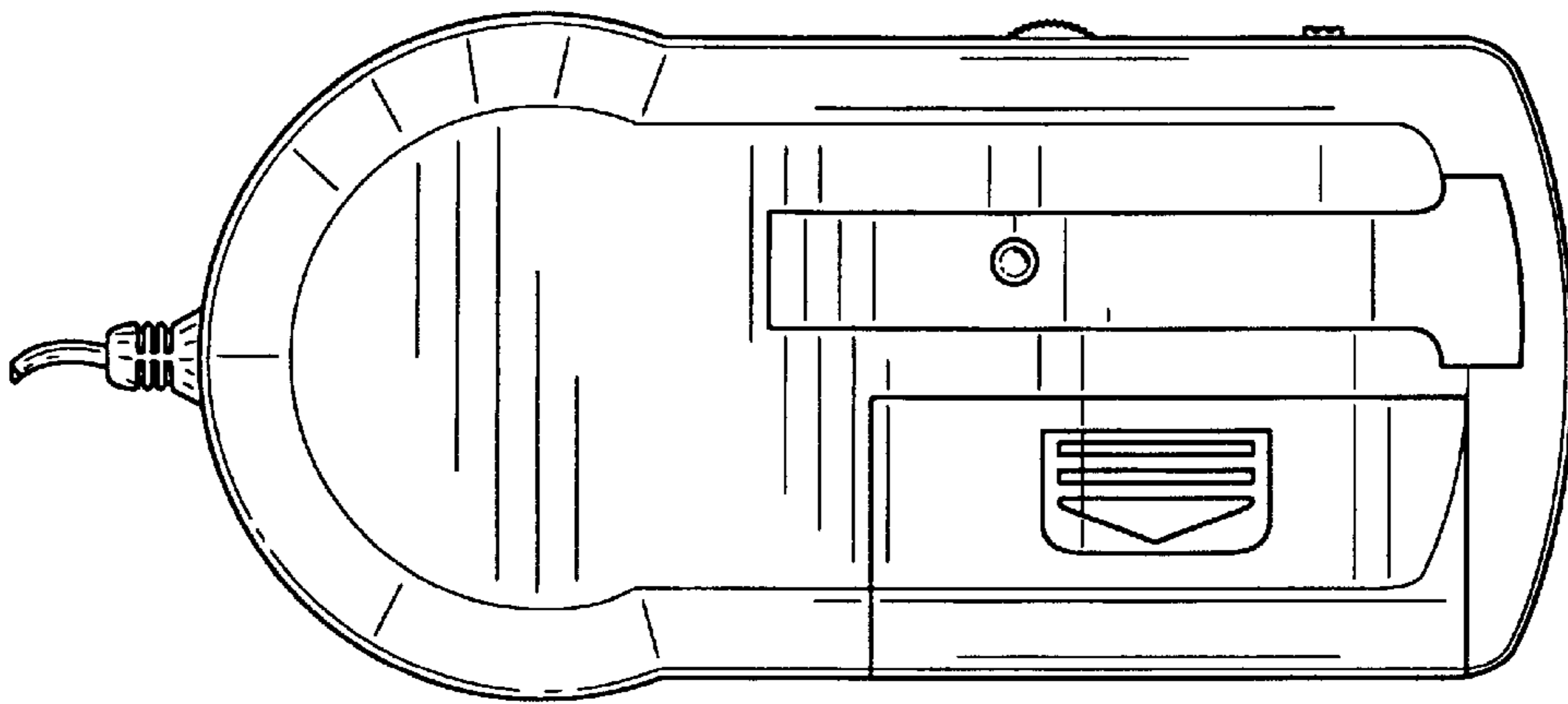


FIG. 10

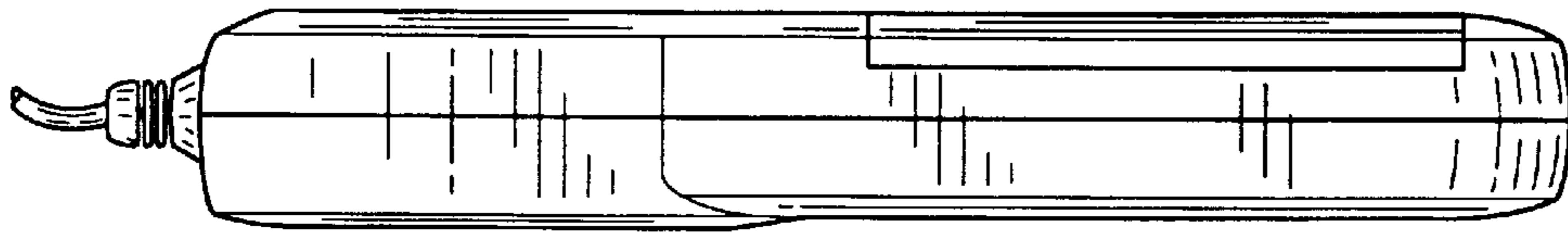


FIG. 12

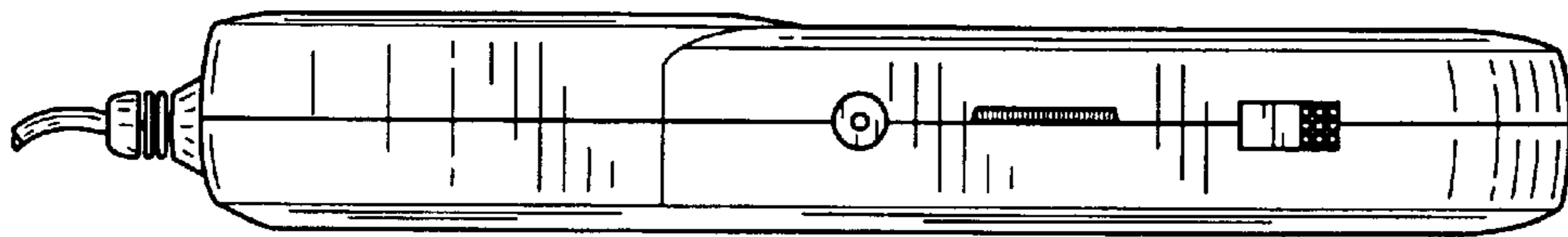


FIG. 11

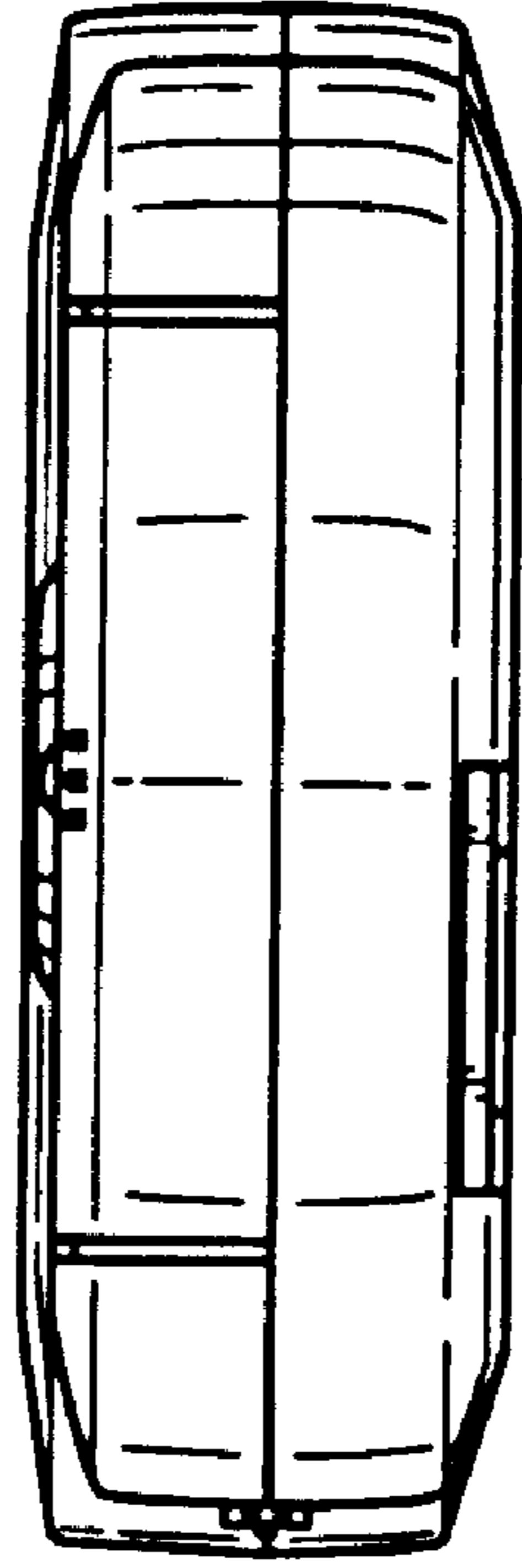


FIG. 14

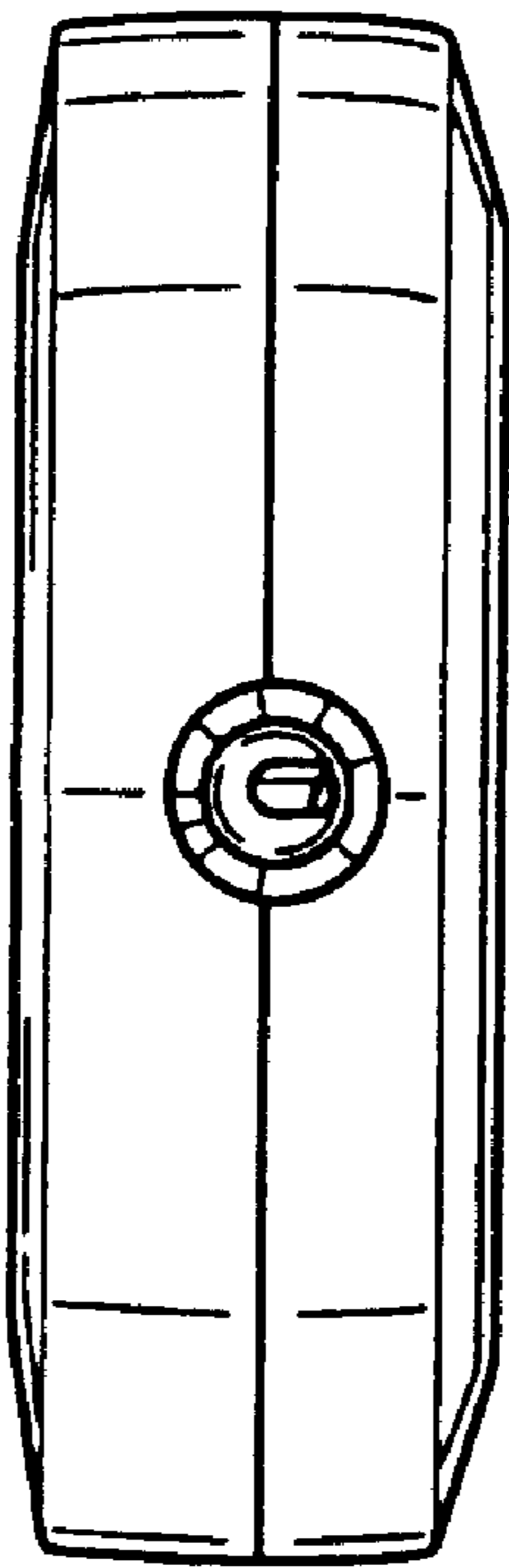


FIG. 13