



US00D467909S

(12) **United States Design Patent**
Tischer

(10) **Patent No.:** **US D467,909 S**
(45) **Date of Patent:** **** Dec. 31, 2002**

(54) **MULTI-PURPOSE ANTENNA ACCESSORY FOR PROTECTION OF A PORTABLE WIRELESS COMMUNICATION DEVICE**

- (75) Inventor: **Steven Neil Tischer**, Atlanta, GA (US)
- (73) Assignee: **BellSouth Intellectual Property Corporation**, Wilmington, DE (US)
- (**) Term: **14 Years**
- (21) Appl. No.: **29/151,340**
- (22) Filed: **Dec. 5, 2001**

Related U.S. Application Data

- (62) Division of application No. 29/146,721, filed on Aug. 15, 2001, now Pat. No. Des. 459,343.
- (51) **LOC (7) Cl.** **14-03**
- (52) **U.S. Cl.** **D14/230**
- (58) **Field of Search** D14/230-238, D14/137, 341, 343-345; 343/702, 901, 720, 713, 714, 795, 765, 840, 872, 878, 879; 455/90, 347, 128, 562; D18/1, 2, 6, 7

(56) **References Cited**

U.S. PATENT DOCUMENTS

- D333,298 S * 2/1993 Raslowsky et al. D14/345
- (List continued on next page.)

OTHER PUBLICATIONS

Copy of Technical Specifications Sheet of Research In Motion (RIM) Wireless Handheld devices—downloaded from Internet on Jun. 12, 2001.

Primary Examiner—Louis S. Zarfes

Assistant Examiner—Deanne Levy

(74) *Attorney, Agent, or Firm*—Kirkpatrick & Lockhart LLP

(57) **CLAIM**

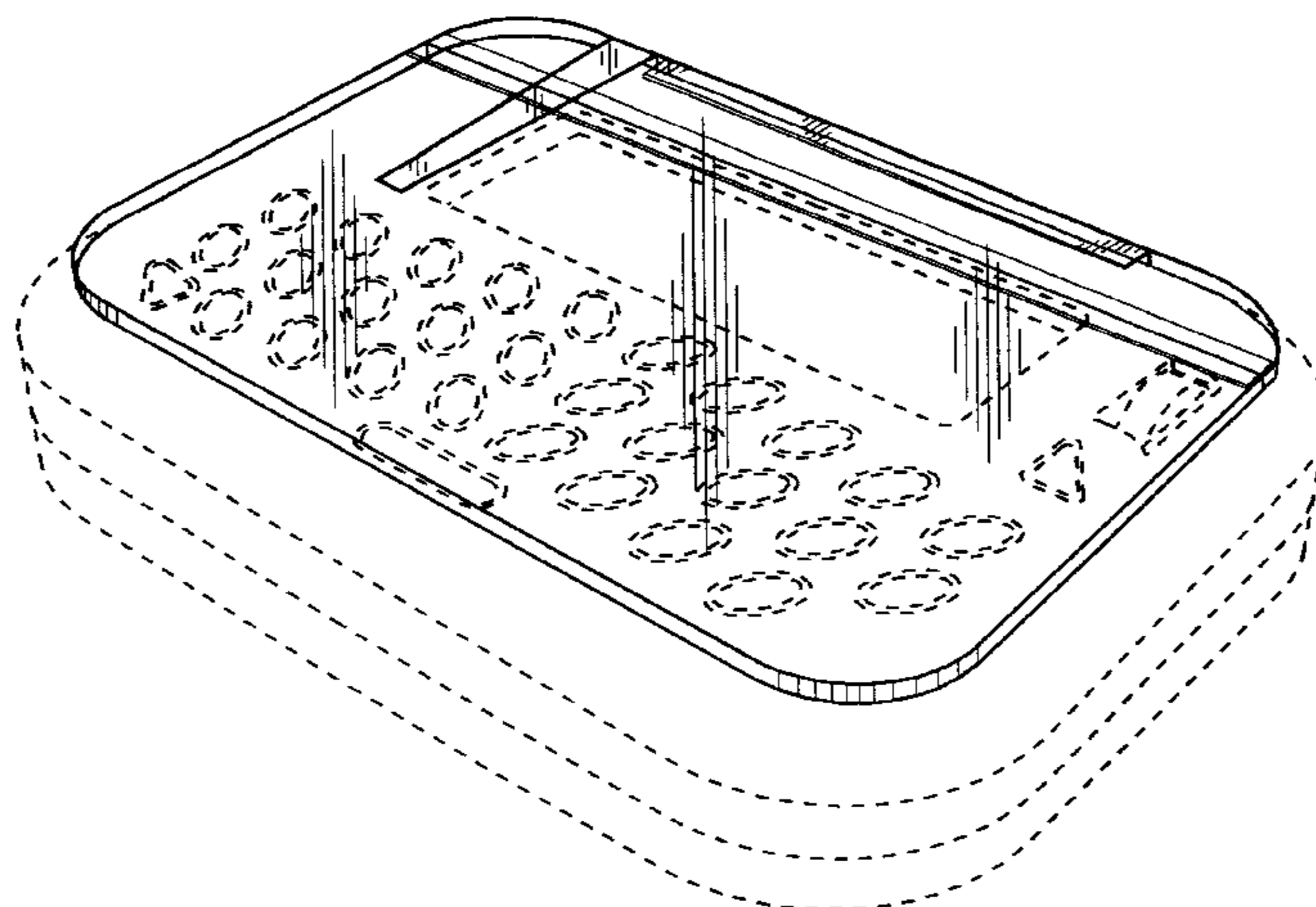
The ornamental design for the multipurpose antenna accessory for protection of a portable wireless communication device, as shown and described.

DESCRIPTION

FIG. 1 is a perspective view of the multipurpose antenna accessory for protection of a portable wireless communication device of the present invention in a first position; FIG. 2 is a top view of the multipurpose antenna accessory for protection of a portable wireless communication device of FIG. 1; FIG. 3 is a bottom view of the multipurpose antenna accessory for protection of a portable wireless communication device of FIGS. 1 and 2; FIG. 4 is a front view of the multipurpose antenna accessory for protection of a portable wireless communication device of FIGS. 1-3; FIG. 5 is a rear view of the multipurpose antenna accessory for protection of a portable wireless communication device of FIGS. 1-4; FIG. 6 is a right side view of the multipurpose antenna accessory for protection of a portable wireless communication device of FIGS. 1-5; FIG. 7 is a left side view of the multipurpose antenna accessory for protection of a portable wireless communication device of FIGS. 1-6; FIG. 8 is a perspective view of the multipurpose antenna accessory for protection of a portable wireless communication device of FIGS. 1-7 in a second position; FIG. 9 is a top view of the multipurpose antenna accessory for protection of a portable wireless communication device of FIG. 8; FIG. 10 is a bottom view of the multipurpose antenna accessory for protection of a portable wireless communication device of FIGS. 8 and 9; FIG. 11 is a front view of the multipurpose antenna accessory for protection of a portable wireless communication device of FIGS. 8-10; FIG. 12 is a rear view of the multipurpose antenna accessory for protection of a portable wireless communication device of FIGS. 8-11; FIG. 13 is a right side view of the multipurpose antenna accessory for protection of a portable wireless communication device of FIGS. 8-12; and, FIG. 14 is a left side view of the multipurpose antenna accessory for protection of a portable wireless communication device of FIGS. 8-13.

The broken lines in the Figures are for illustrative purposes only and form no part of the claimed design.

1 Claim, 8 Drawing Sheets



US D467,909 S

Page 2

U.S. PATENT DOCUMENTS

D354,072 S	*	1/1995	Yatabe	D18/7	D432,099 S		10/2000	Loh et al.	
D355,165 S		2/1995	Sakaguchi et al.		D448,763 S		10/2001	Ikenaga	
D366,463 S	*	1/1996	Ive et al.	D14/345	D449,606 S	*	10/2001	Lee et al.	D14/345
D417,657 S	*	12/1999	Matsumoto	D14/343	D451,507 S	*	12/2001	Lin	D14/345
D421,744 S	*	3/2000	Ono	D18/6	D459,343 S		6/2002	Tischer	

* cited by examiner

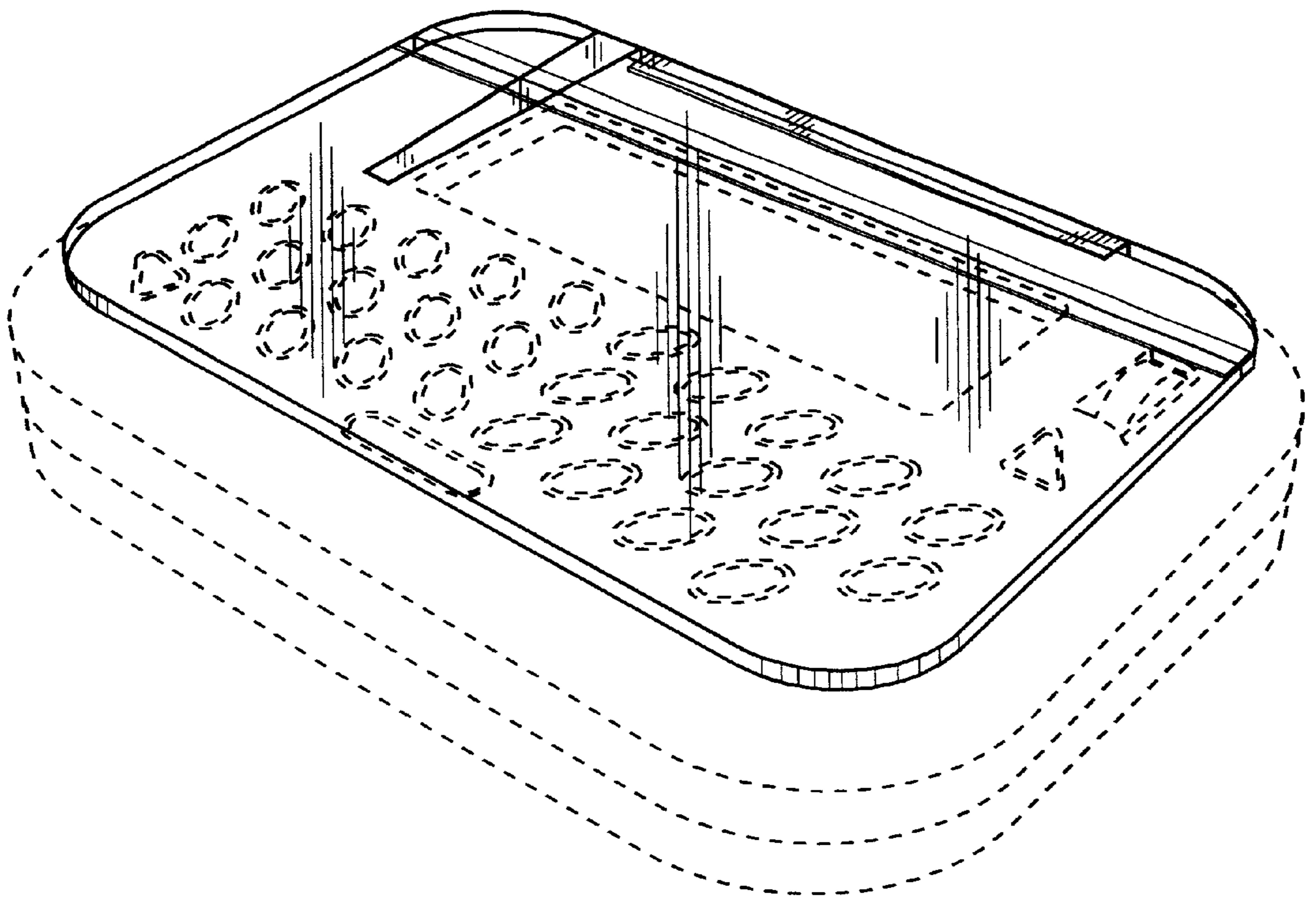


Fig. 1

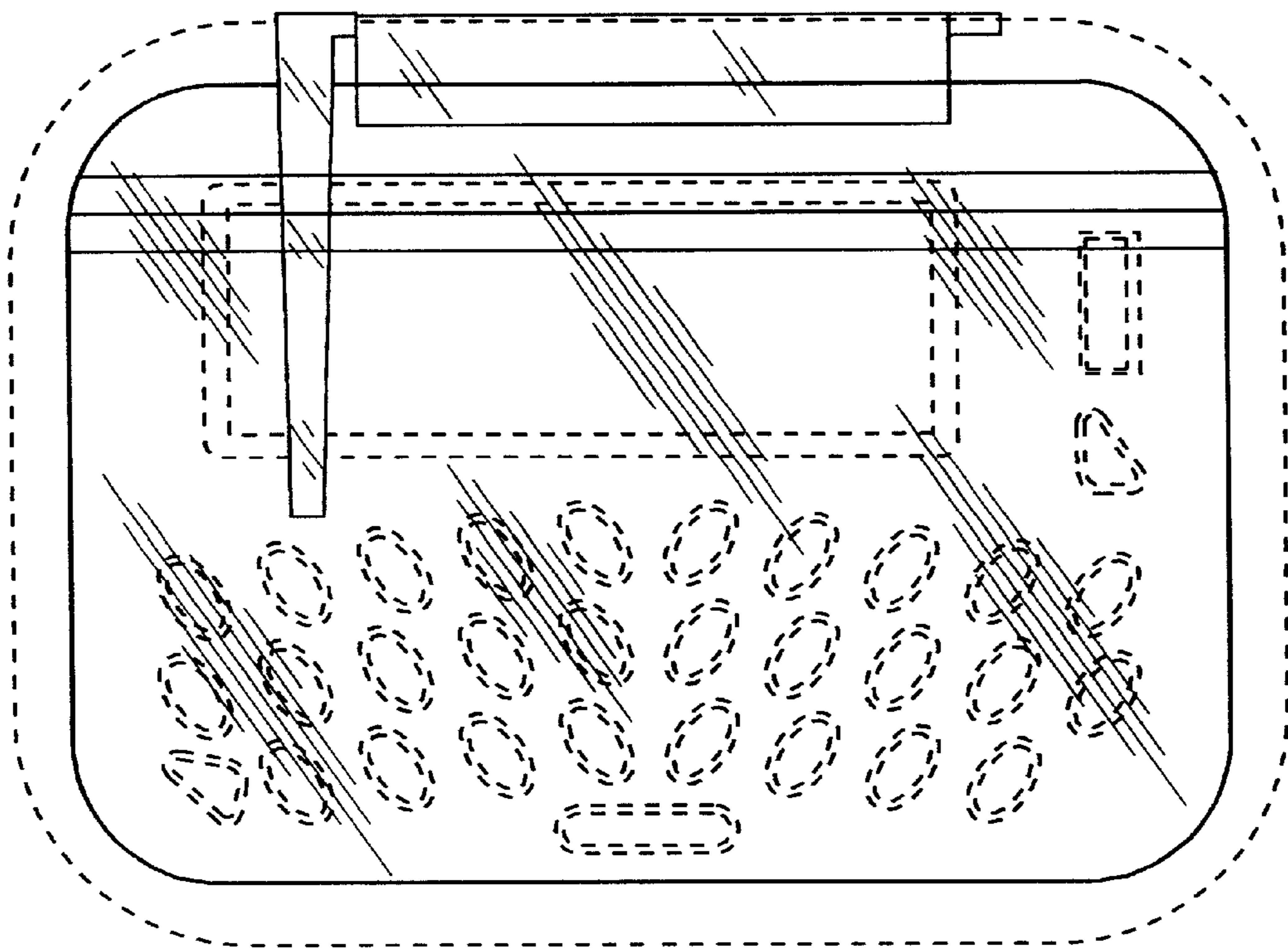


Fig. 2



Fig. 3

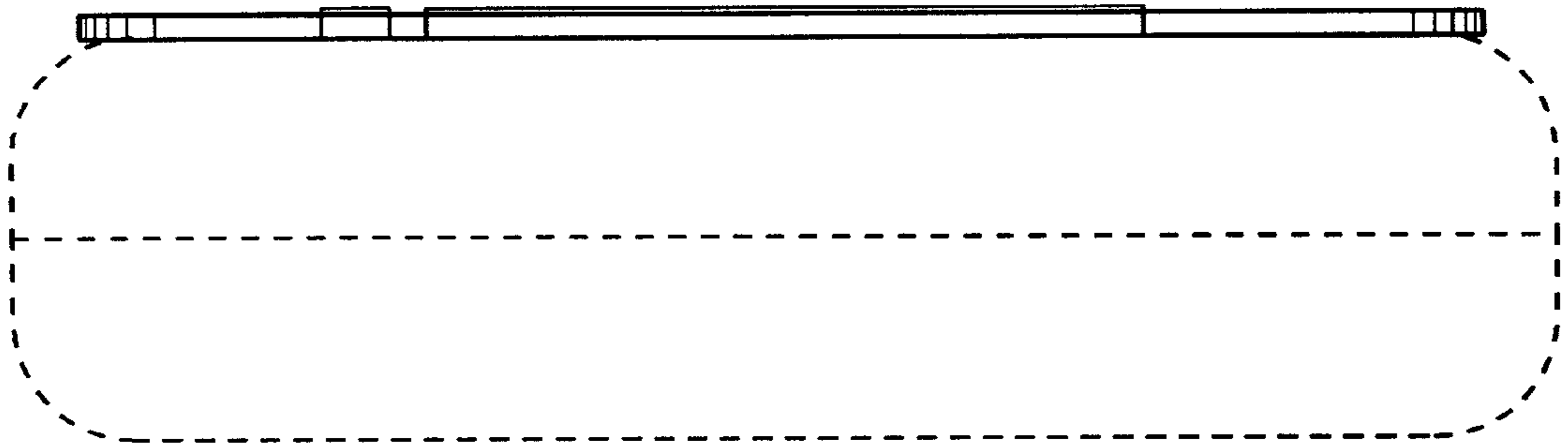


Fig. 4

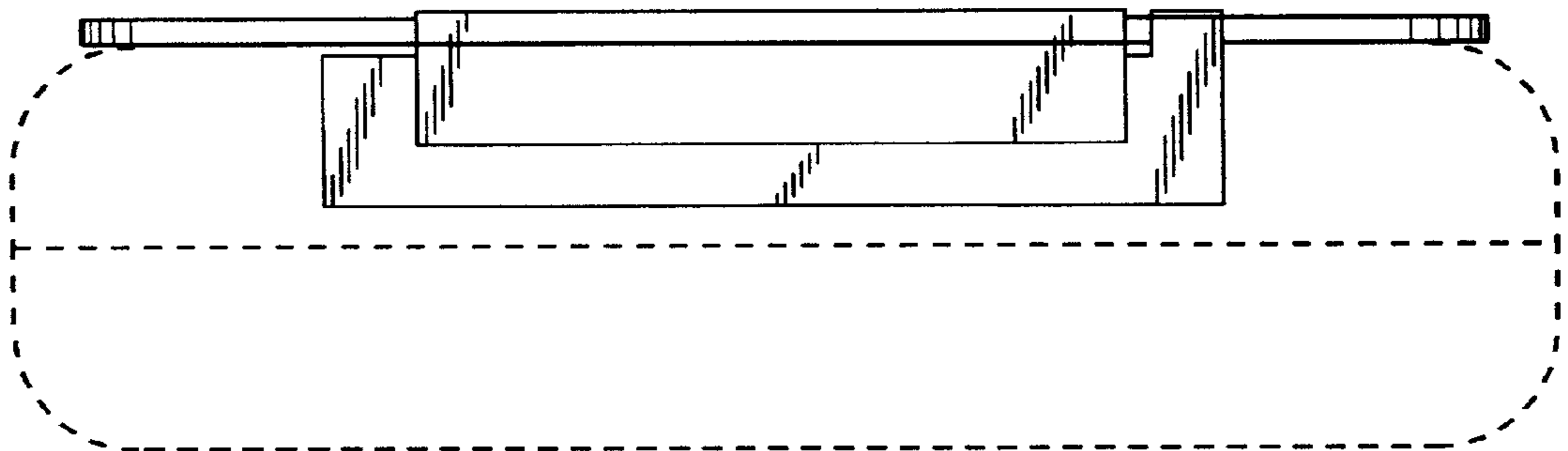


Fig. 5

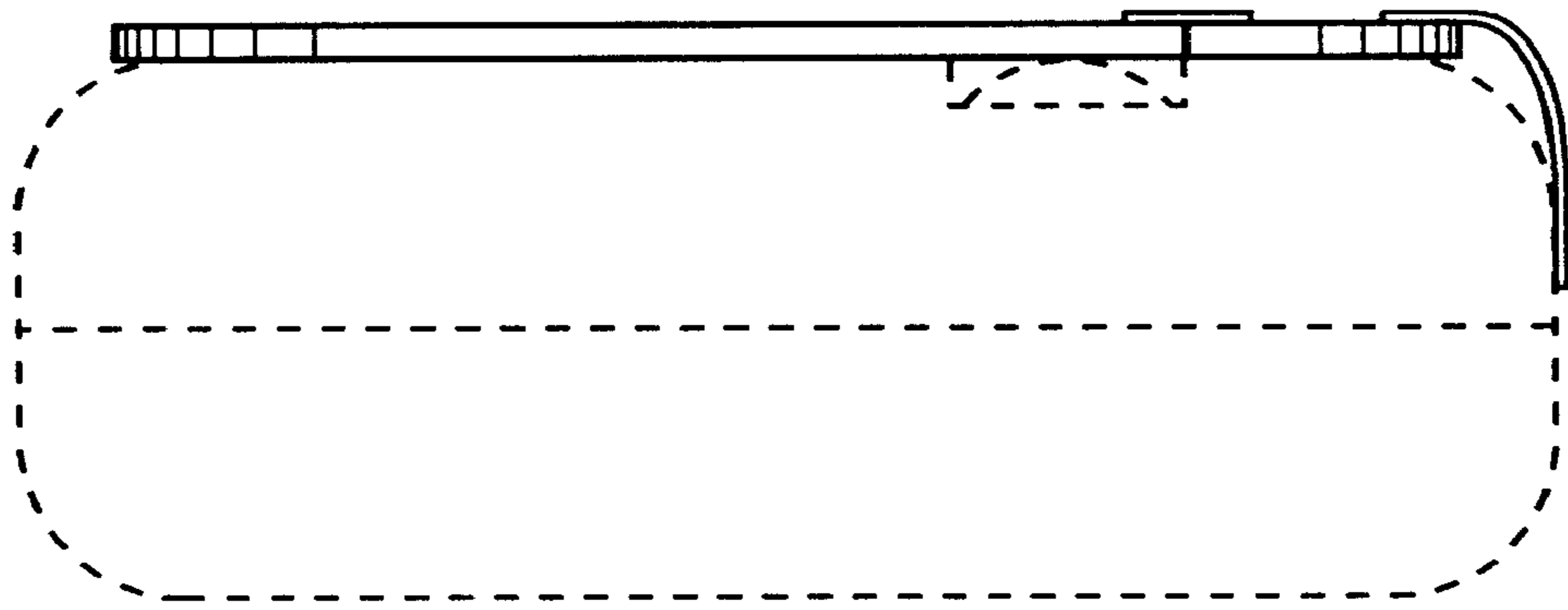


Fig. 6

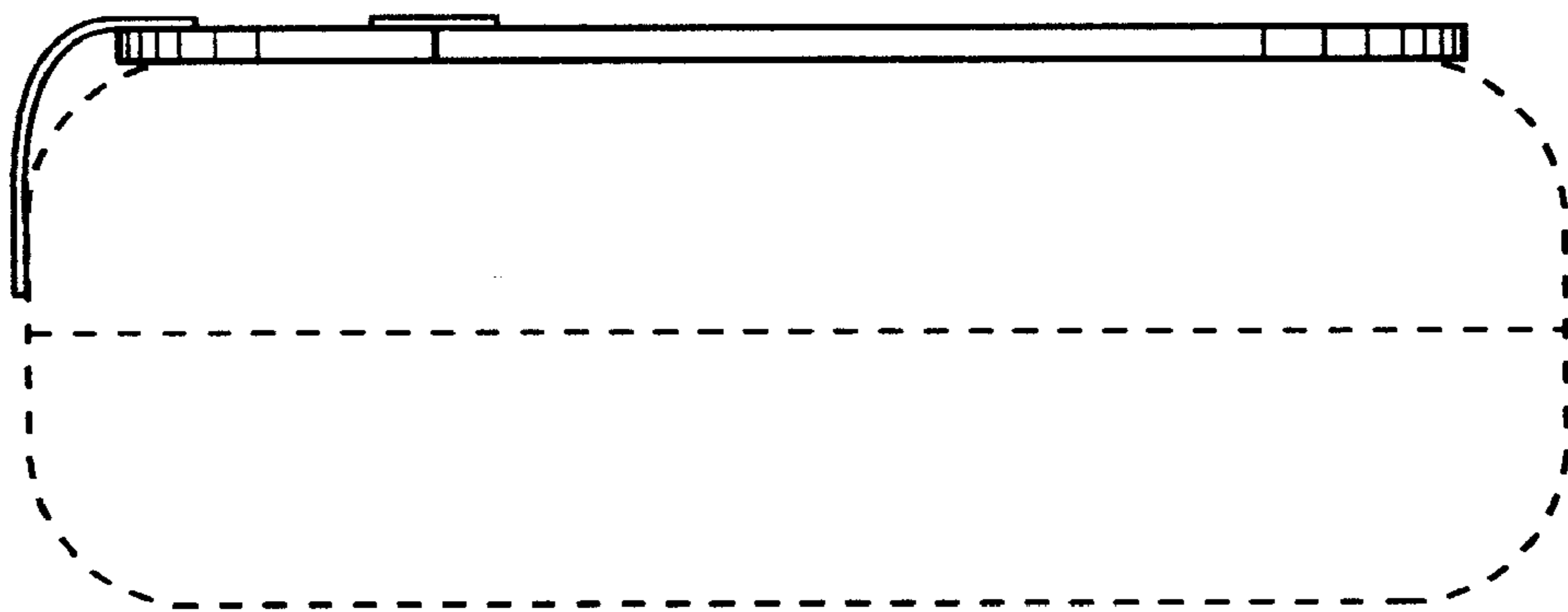


Fig. 7

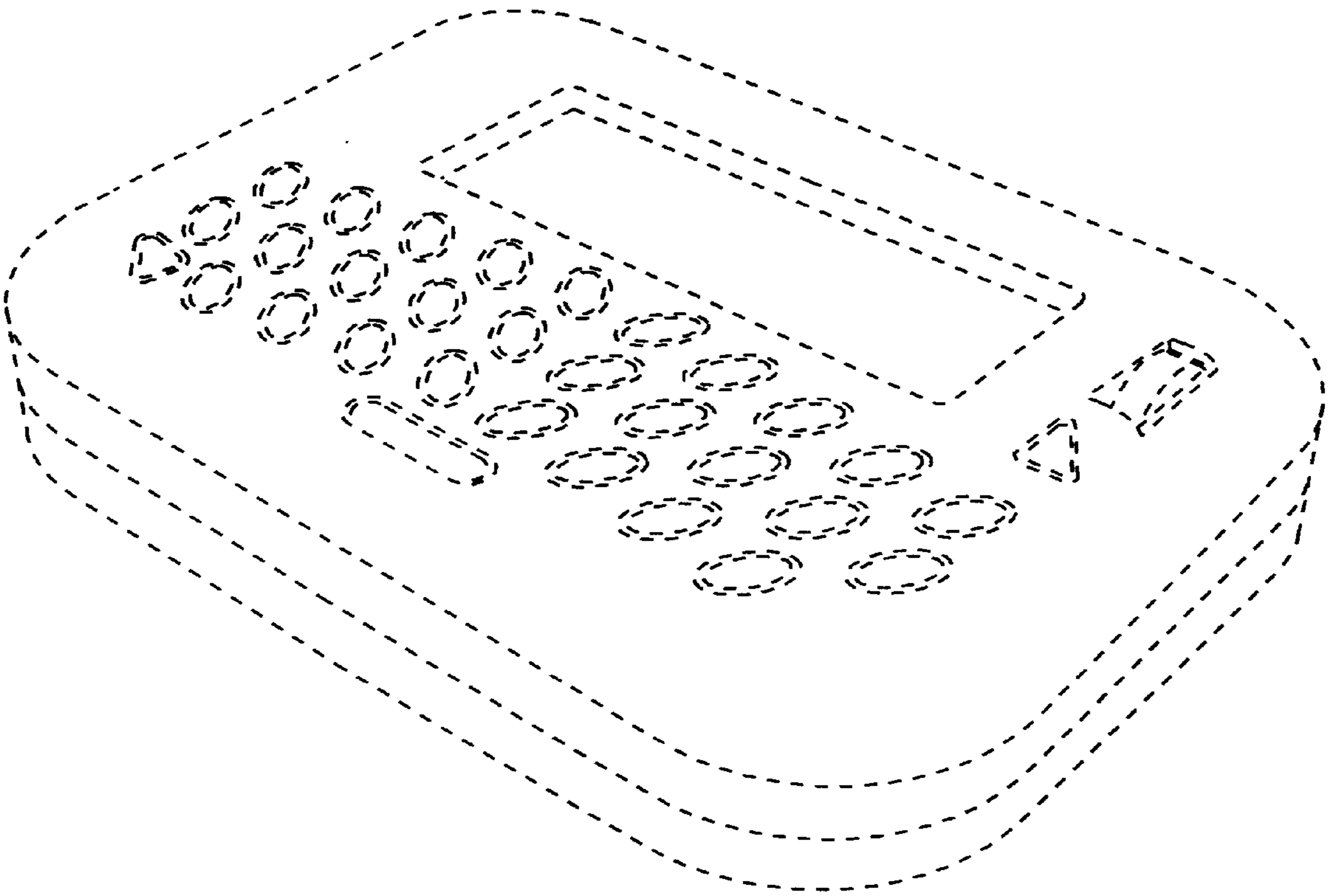


Fig. 8

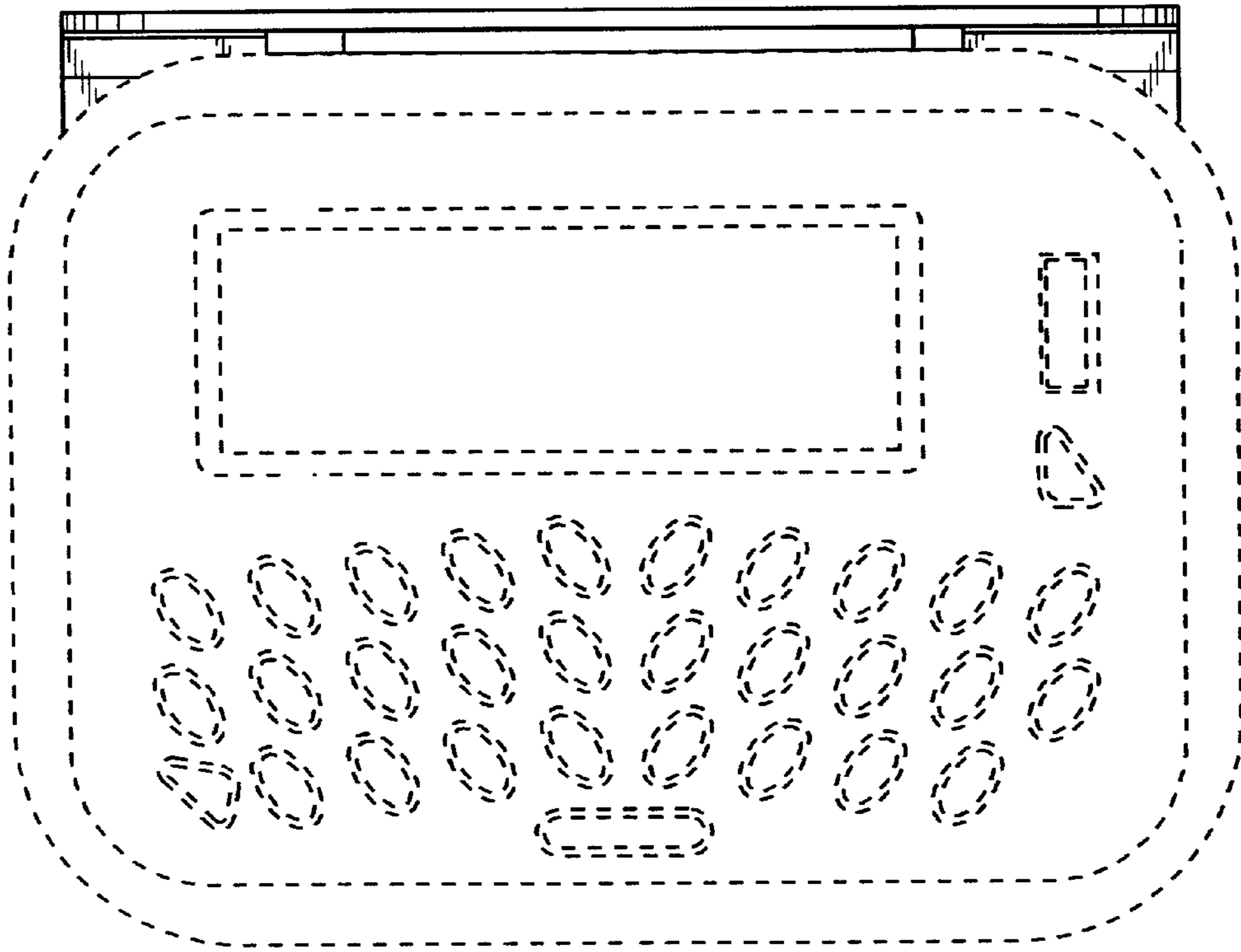


Fig. 9

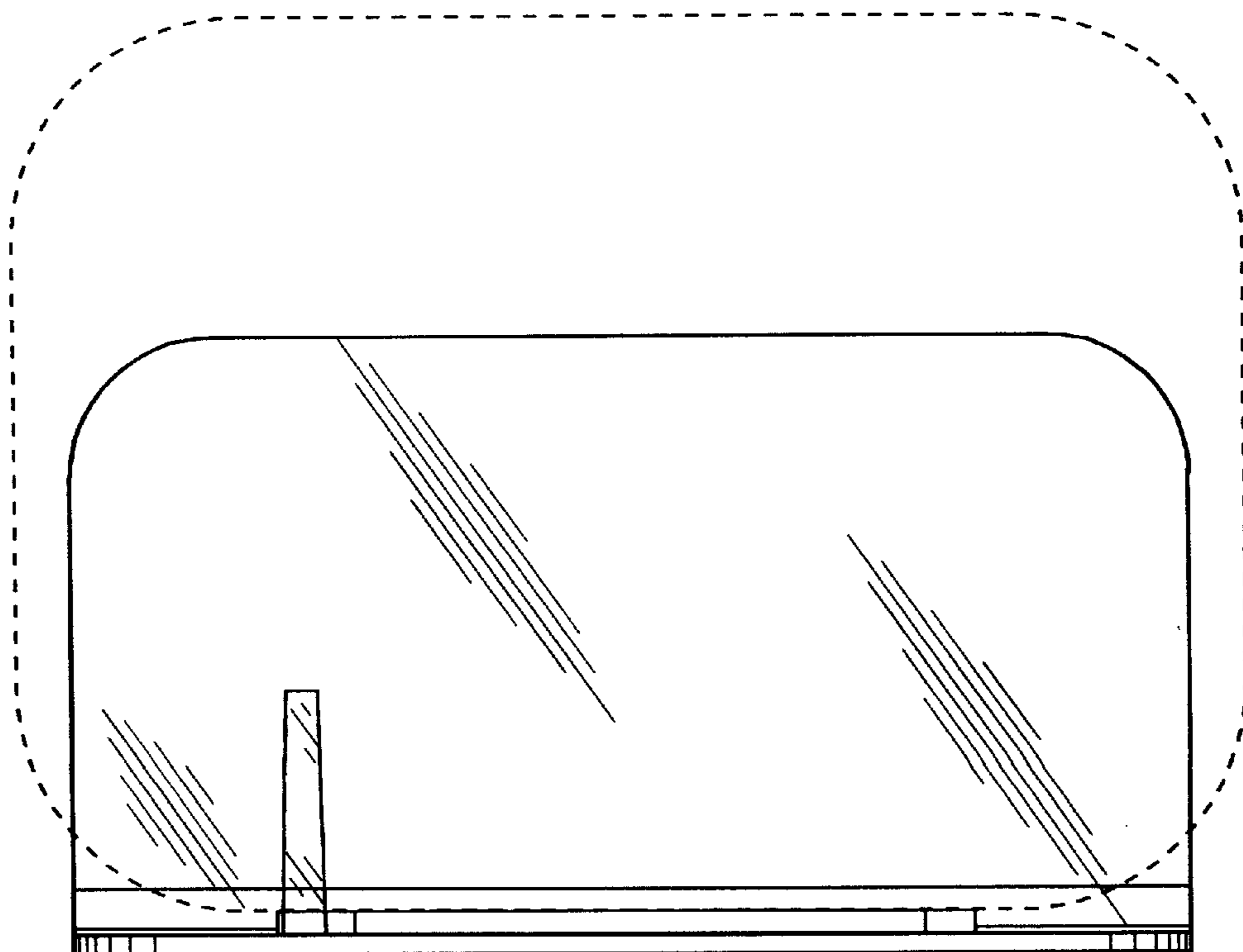


Fig. 10

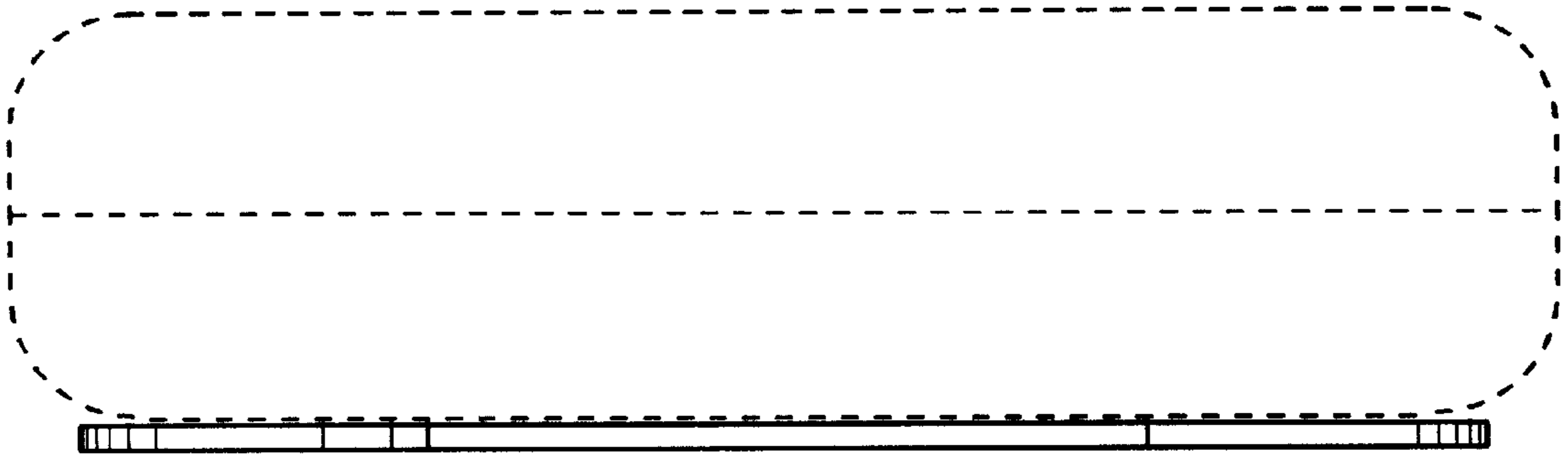


Fig. 11

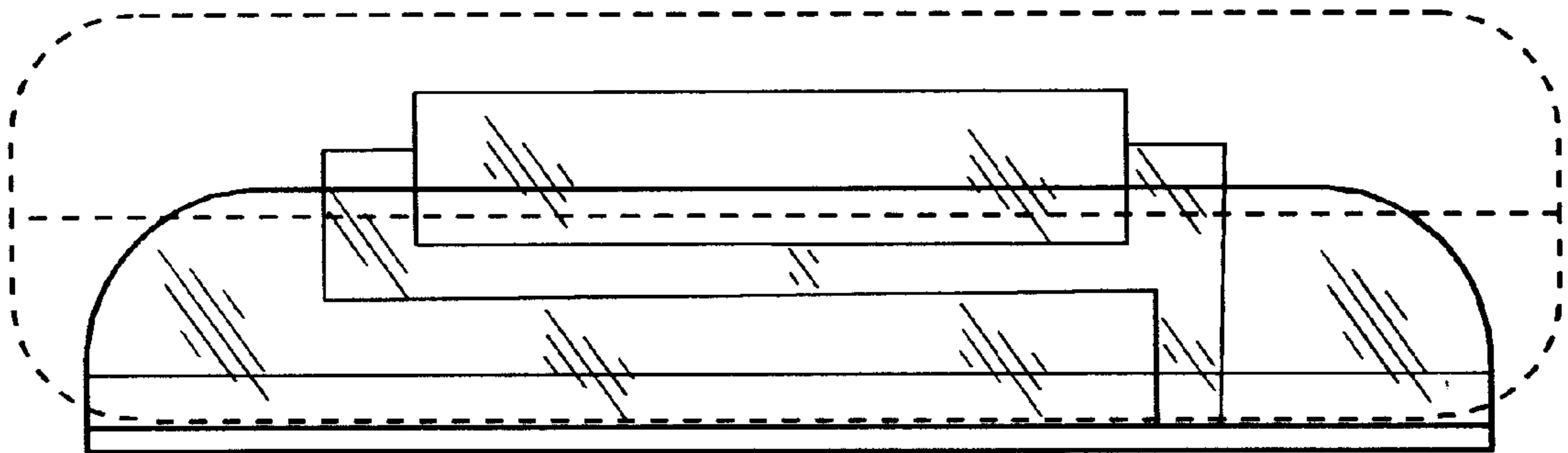


Fig. 12

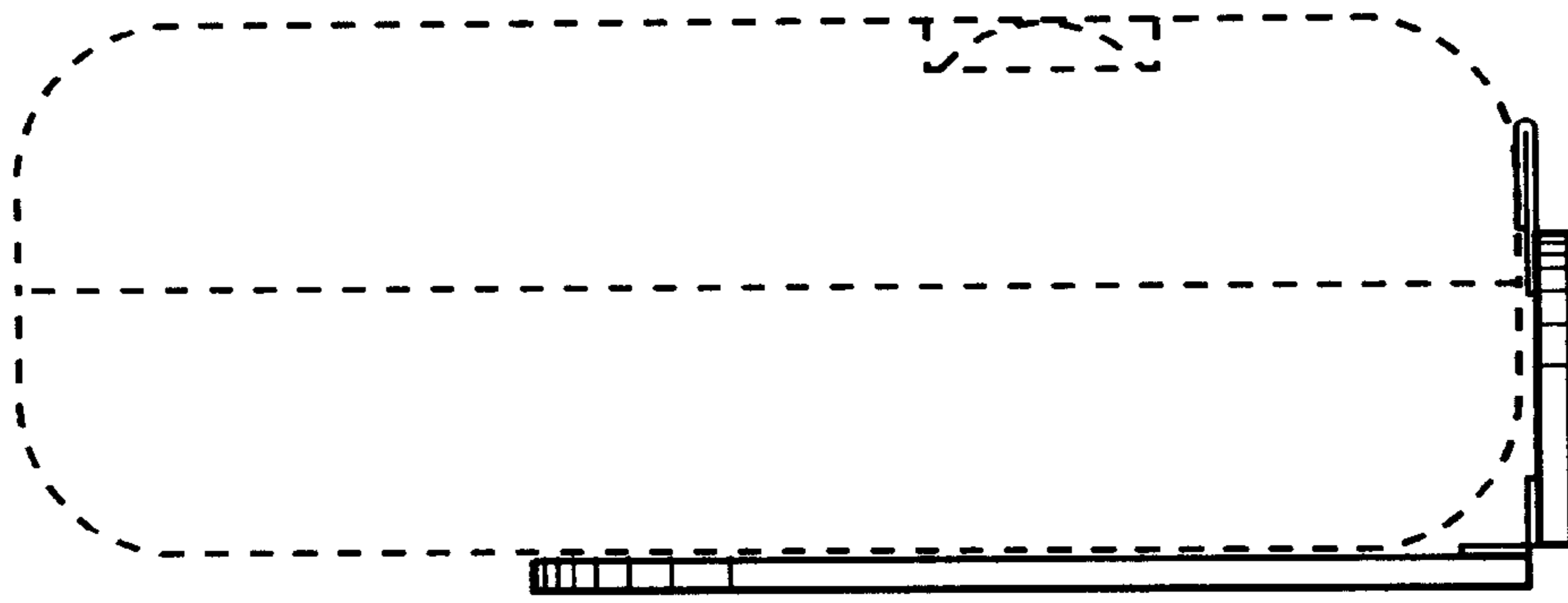


Fig. 13

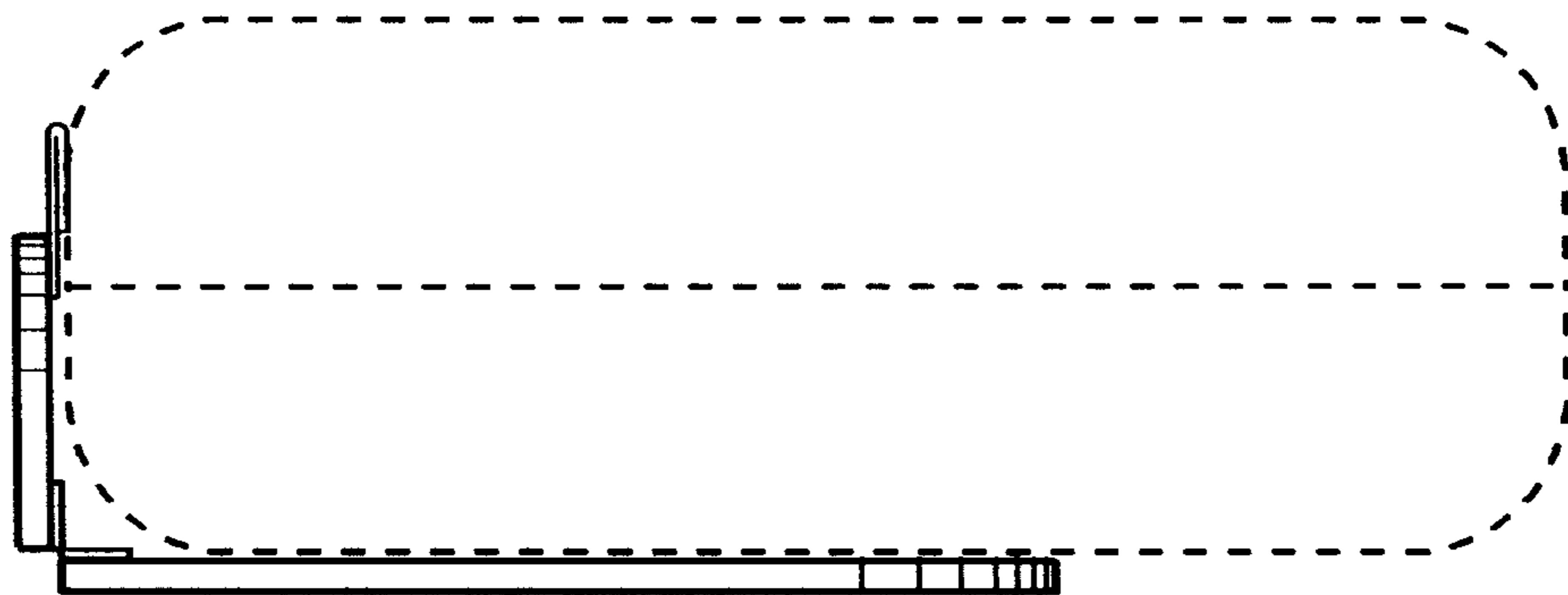


Fig. 14