



US00D467907S

(12) **United States Design Patent**  
**Marion et al.**

(10) **Patent No.: US D467,907 S**

(45) **Date of Patent: \*\* Dec. 31, 2002**

(54) **COMMUNICATION DEVICE EARBUD**

(75) Inventors: **Vicki L. Marion**, San Diego, CA (US);  
**Marcia Brumitt**, San Diego, CA (US);  
**Medford A. Dyer**, San Diego, CA  
(US); **Raleigh B. Wilson**, Encinitas, CA  
(US); **Anita Habeich**, San Diego, CA  
(US); **Edward Springer**, Chula Vista,  
CA (US); **Stuart A. Karten**, Venice,  
CA (US); **Dennis L. Schroeder**,  
Hermosa Beach, CA (US); **Simon A  
Sollberger**, Venice, CA (US)

(73) Assignee: **GN Jabra Corporation**, San Diego,  
CA (US)

(\*\*) Term: **14 Years**

(21) Appl. No.: **29/129,237**

(22) Filed: **Sep. 7, 2000**

(51) **LOC (7) Cl. .... 14-01**

(52) **U.S. Cl. .... D14/223**

(58) **Field of Search** ..... D14/188, 192,  
D14/205-206, 223; 181/129-130; 379/430,  
433; 381/370-371, 376-381

(56) **References Cited**

**U.S. PATENT DOCUMENTS**

|            |          |                        |         |
|------------|----------|------------------------|---------|
| D289,288 S | 4/1987   | Muenschler et al. .... | D14/138 |
| D289,289 S | 4/1987   | Wojcik et al. ....     | D14/243 |
| D297,009 S | 8/1988   | Grambush et al. ....   | D14/64  |
| D297,637 S | 9/1988   | Fai et al. ....        | D14/150 |
| D299,344 S | 1/1989   | Stevens ....           | D14/249 |
| D300,319 S | 3/1989   | Risskov et al. ....    | D14/151 |
| D305,759 S | 1/1990   | Balbuena ....          | D14/147 |
| D309,306 S | 7/1990   | Weiser et al. ....     | D14/249 |
| D318,053 S | 7/1991   | Ludeke et al. ....     | D14/206 |
| D328,070 S | 7/1992   | Seay ....              | D14/138 |
| D332,785 S | 1/1993   | Nagele et al. ....     | D14/138 |
| D333,305 S | 2/1993   | West ....              | D14/223 |
| D339,355 S | 9/1993   | Burriss et al. ....    | D14/249 |
| D346,380 S | 4/1994   | Fitzgerald ....        | D14/138 |
| D348,067 S | * 6/1994 | Lucey et al. ....      | D14/223 |
| D357,921 S | * 5/1995 | Ming-Chin ....         | D14/223 |

|             |           |                      |         |
|-------------|-----------|----------------------|---------|
| D361,066 S  | 8/1995    | Langhorn et al. .... | D14/142 |
| D364,617 S  | 11/1995   | Fitzgerald ....      | D14/142 |
| D371,133 S  | 6/1996    | Andrea ....          | D14/206 |
| D373,127 S  | 8/1996    | Godee et al. ....    | D14/248 |
| D375,500 S  | * 11/1996 | Bungardt et al. .... | D14/223 |
| D377,020 S  | 12/1996   | Bungardt et al. .... | D14/205 |
| D381,336 S  | 7/1997    | Bungardt et al. .... | D14/205 |
| D391,953 S  | 3/1998    | Copeland et al. .... | D14/137 |
| D394,058 S  | 5/1998    | Fitzgerald ....      | D14/142 |
| D404,030 S  | 1/1999    | Segan ....           | D14/143 |
| D405,786 S  | 2/1999    | Leifer ....          | D14/142 |
| D407,089 S  | 3/1999    | Norin ....           | D14/206 |
| 5,881,161 A | * 3/1999  | Liu ....             | 381/381 |
| D408,816 S  | 4/1999    | Richez ....          | D14/148 |
| D411,538 S  | 6/1999    | Fitzgerald ....      | D14/142 |
| D414,488 S  | 9/1999    | Fitzgerald ....      | D14/142 |
| D420,010 S  | 2/2000    | Pitel ....           | D14/240 |
| D421,755 S  | 3/2000    | Pitel ....           | D14/240 |
| D424,054 S  | 5/2000    | Fitzgerald ....      | D14/142 |
| D425,888 S  | 5/2000    | Fitzgerald ....      | D14/142 |
| 6,084,976 A | * 7/2000  | Lin ....             | 381/370 |
| D429,229 S  | 8/2000    | Fitzgerald ....      | D14/142 |

\* cited by examiner

*Primary Examiner*—Nanda Bondade

(74) *Attorney, Agent, or Firm*—Lloyd W. Sadler

(57) **CLAIM**

The ornamental design for the communication device earbud, as shown and described.

**DESCRIPTION**

FIG. 1 is a front perspective view of the communication device earbud.

FIG. 2 is a rear perspective view thereof.

FIG. 3 is an enlarged left side elevation view, shown as broken away for ease of illustration.

FIG. 4 is a front elevation view thereof.

FIG. 5 is a right side elevation view thereof.

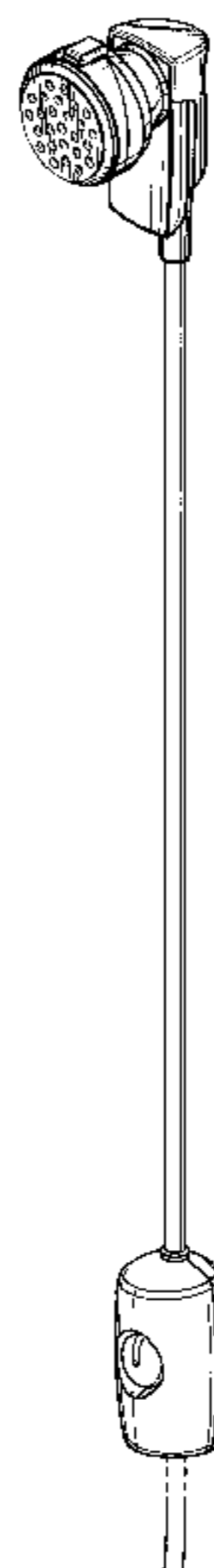
FIG. 6 is a rear elevation view thereof.

FIG. 7 is top plan view thereof; and,

FIG. 8 is a bottom plan view thereof.

The broken line showing on FIGS. 1-6 is for illustrative purposes only and forms no part of the claimed design.

**1 Claim, 4 Drawing Sheets**



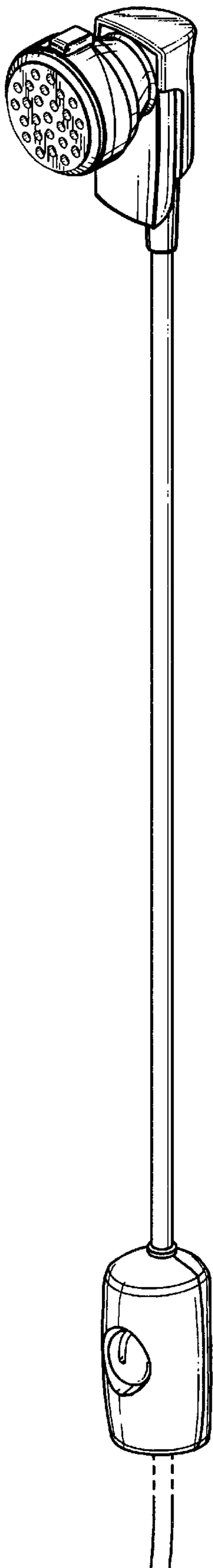


FIG. 1

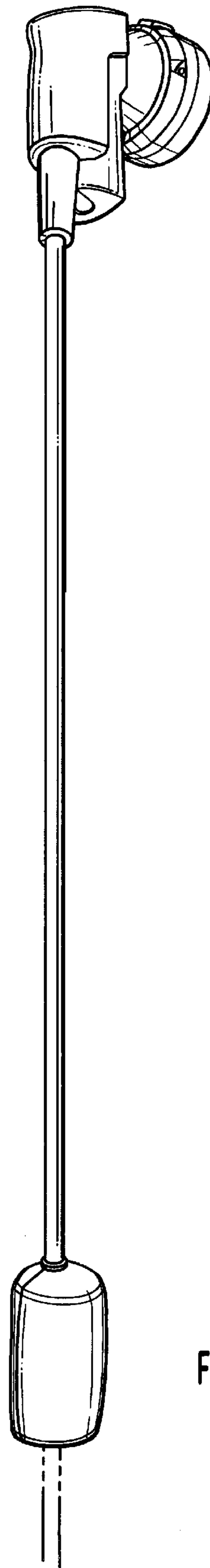


FIG. 2

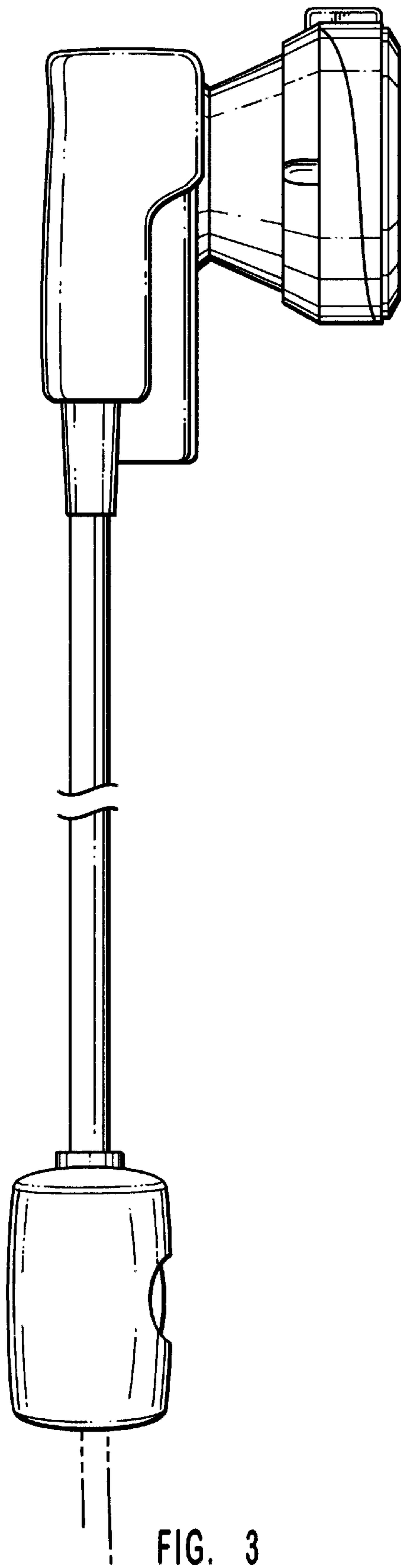


FIG. 3

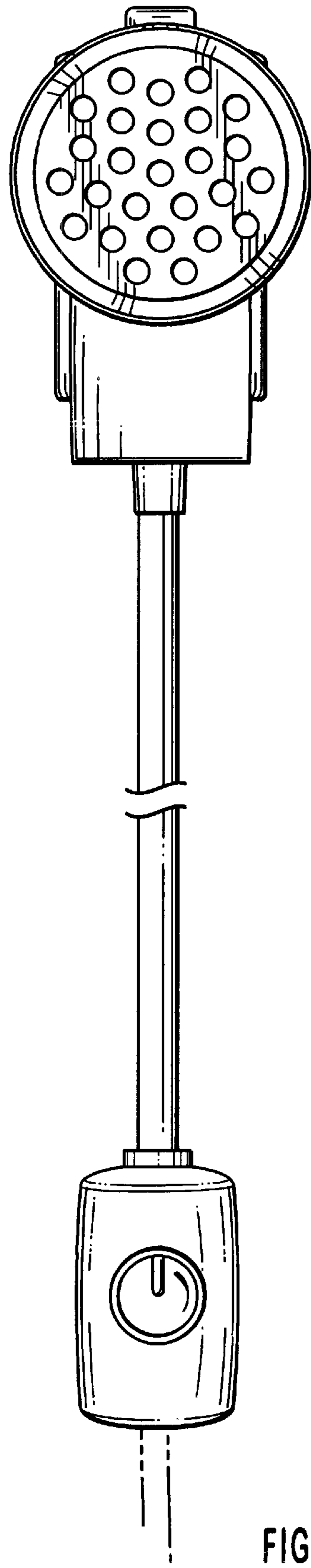


FIG. 4

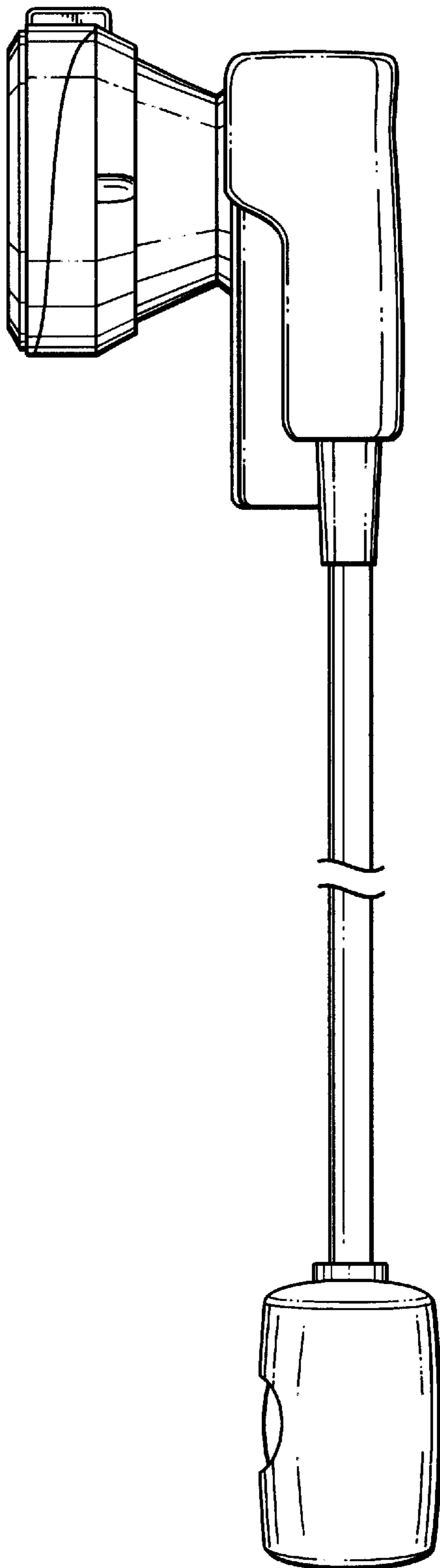


FIG. 5

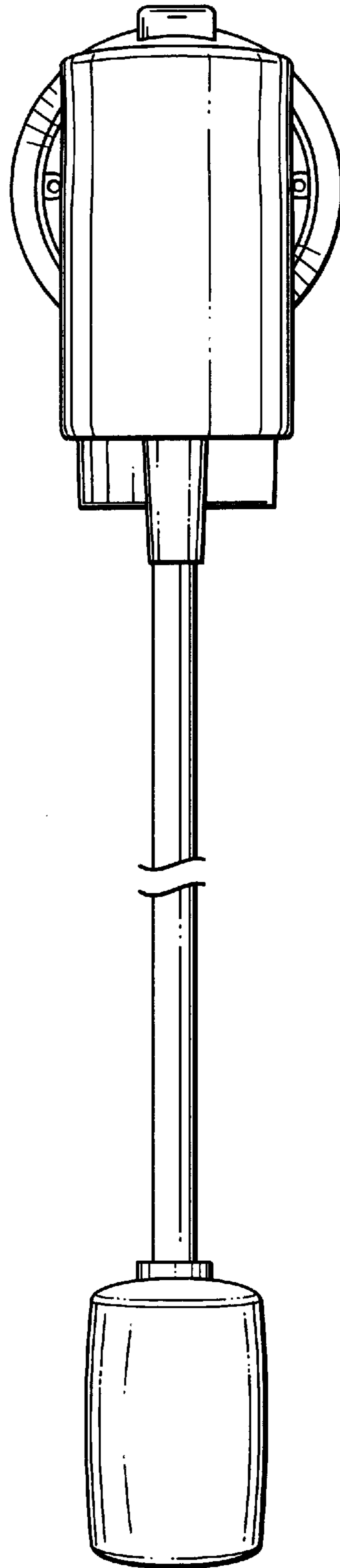


FIG. 6

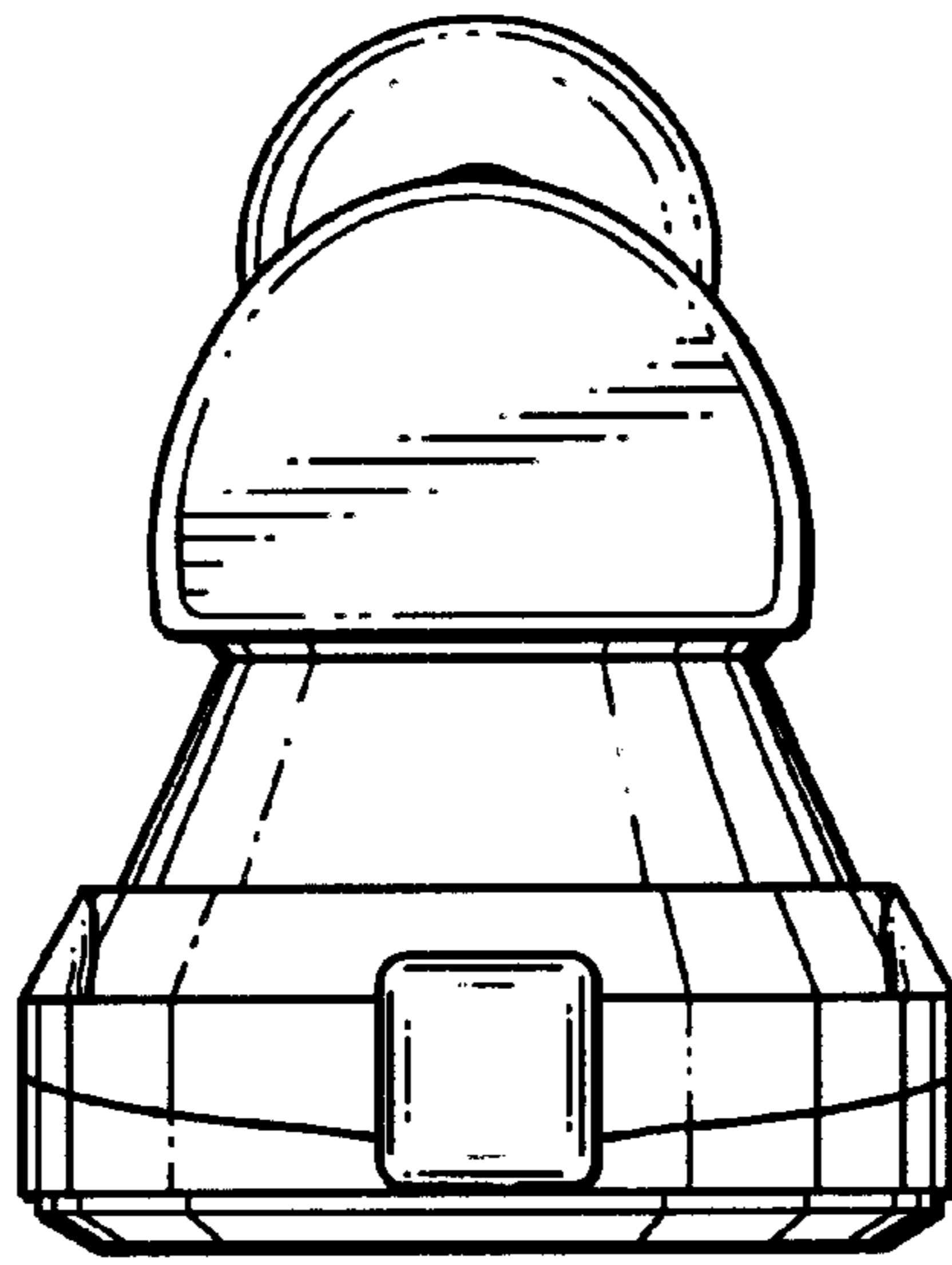


FIG. 7

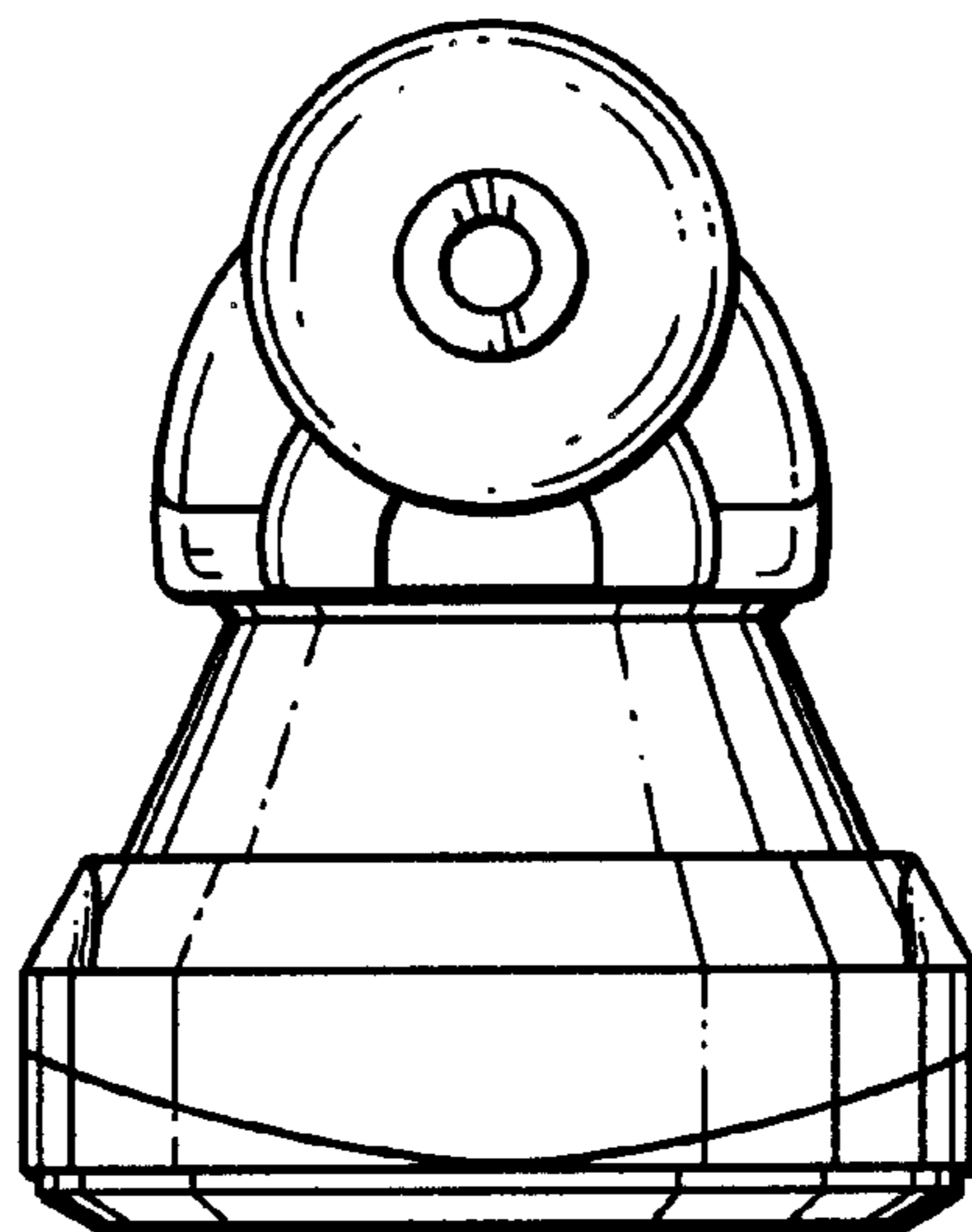


FIG. 8