



US00D467901S

(12) **United States Design Patent**  
**Solland**

(10) **Patent No.:** **US D467,901 S**

(45) **Date of Patent:** **\*\* Dec. 31, 2002**

(54) **PORTION OF A SPEAKER HOUSING**

(75) **Inventor:** **Kurt Solland**, Westlake Village, CA (US)

(73) **Assignee:** **Harman International Industries, Inc.**, Northridge, CA (US)

(\*\*) **Term:** **14 Years**

(21) **Appl. No.:** **29/156,556**

(22) **Filed:** **Mar. 5, 2002**

(51) **LOC (7) Cl.** ..... **14-01**

(52) **U.S. Cl.** ..... **D14/216**

(58) **Field of Search** ..... D14/204, 207, D14/209-216, 356; 181/144-145, 147-148, 150, 153, 157, 198-199; 381/300-302, 306, 333, 345, 361-364, 386-388

(56) **References Cited**

**U.S. PATENT DOCUMENTS**

D376,364 S \* 12/1996 Boothroyd et al. .... D14/211

D409,617 S \* 5/1999 Freadman ..... D14/215

D460,064 S \* 7/2002 Solland ..... D14/211

D460,959 S \* 7/2002 Solland ..... D14/216

\* cited by examiner

*Primary Examiner*—Nanda Bondade

(74) *Attorney, Agent, or Firm*—Banner & Witcoff, Ltd.

(57) **CLAIM**

The ornamental design for a portion of a speaker housing, as shown and described.

**DESCRIPTION**

FIG. 1 is a perspective view of a portion of a speaker housing showing my new design;

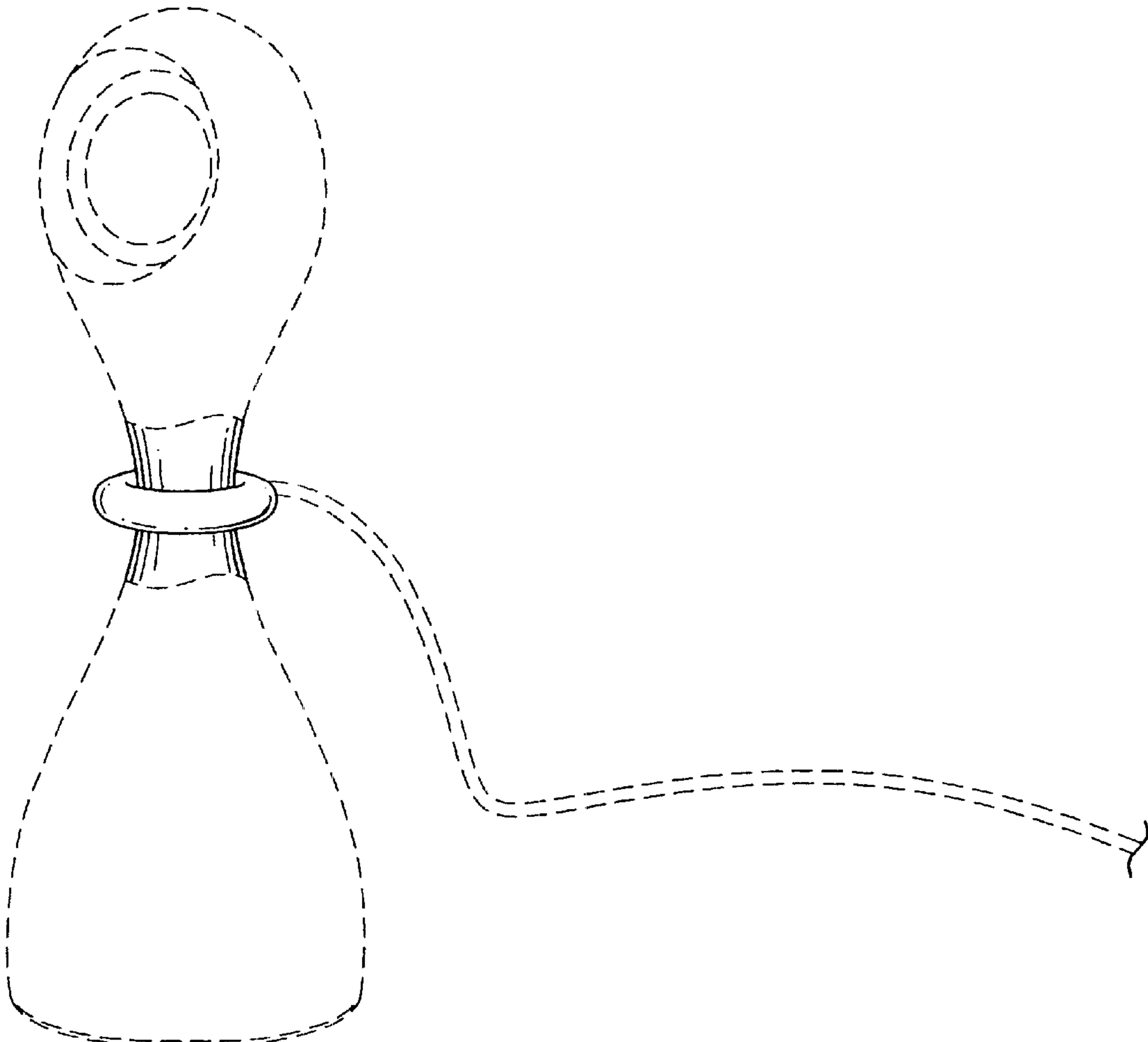
FIG. 2 is a front elevational view thereof;

FIG. 3 is a side elevational view thereof, the opposite side elevational view being a mirror image thereof; and,

FIG. 4 is a back elevational view thereof.

The broken line showing of the speaker housing and cord in FIGS. 1-4 is for illustrative purposes only and forms no part of the claimed design.

**1 Claim, 4 Drawing Sheets**



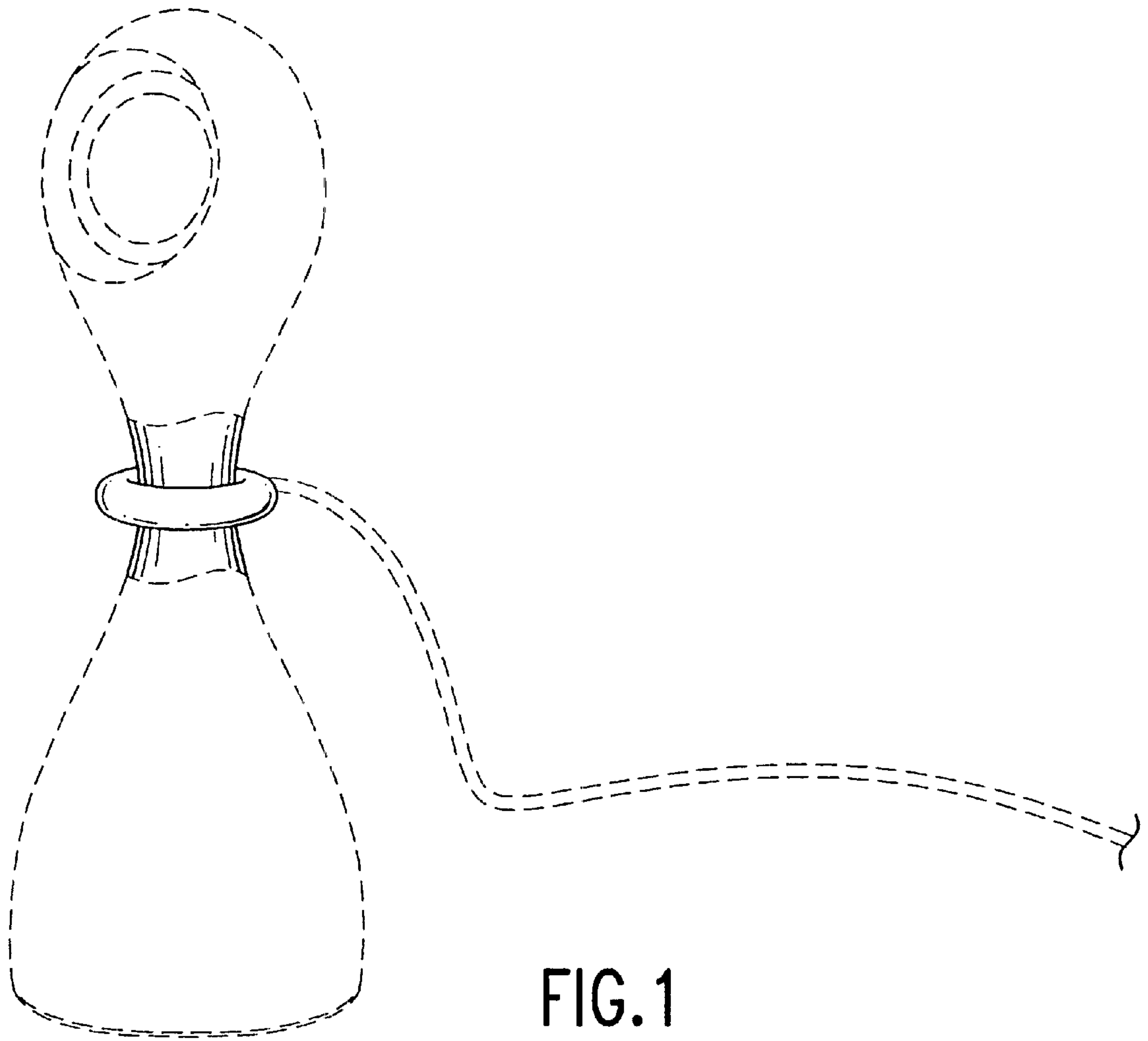


FIG. 1

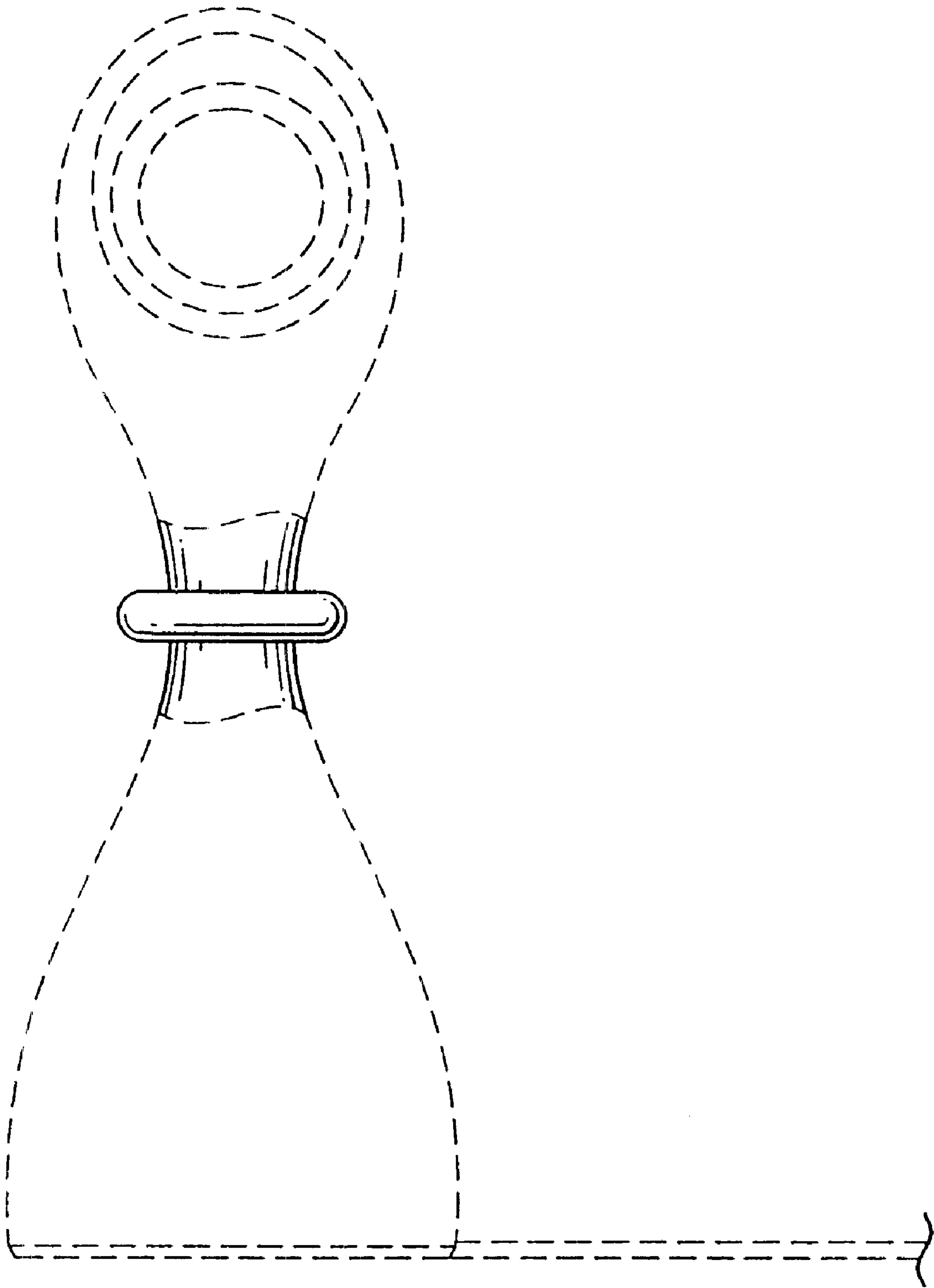


FIG. 2

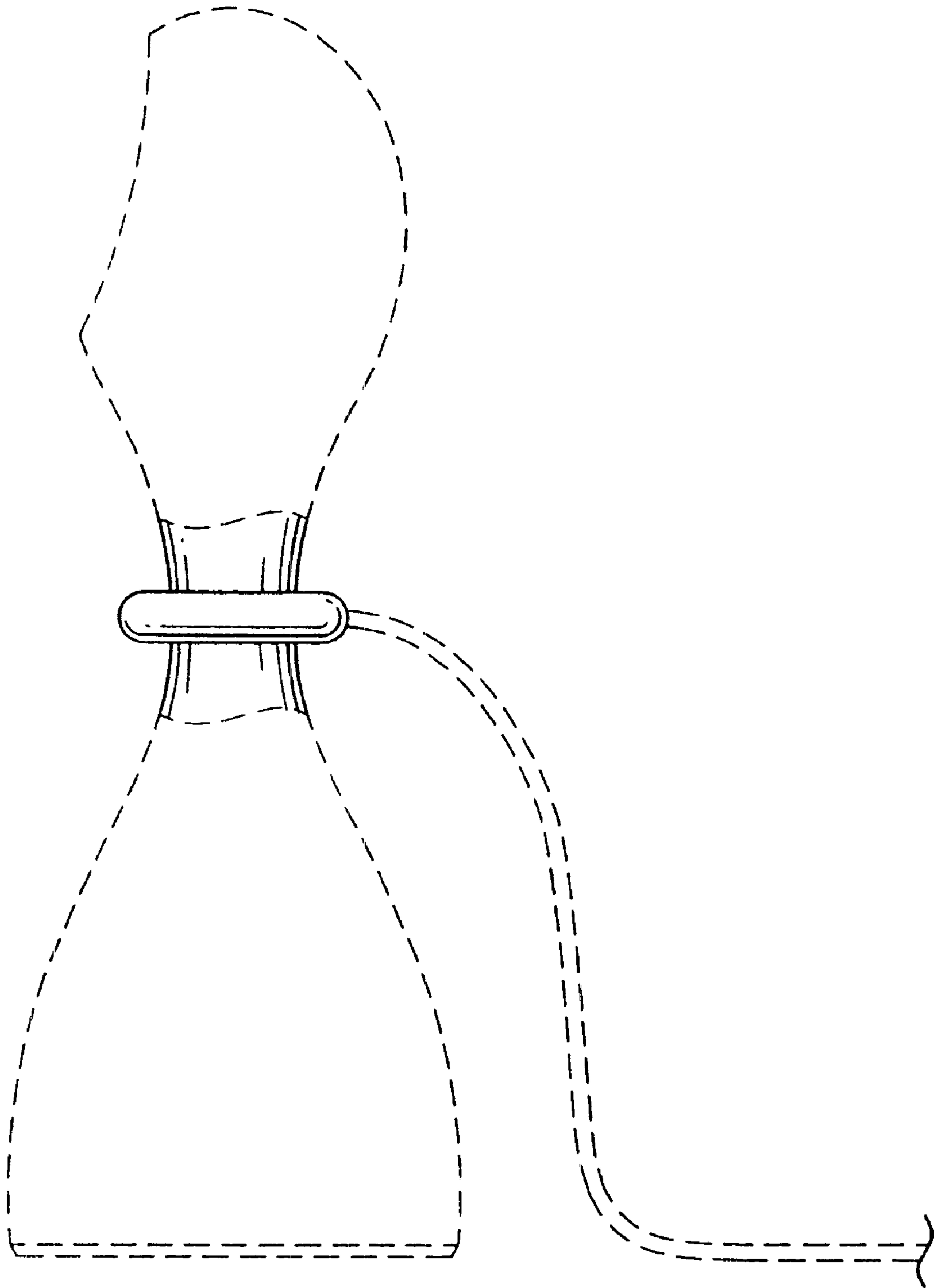


FIG. 3

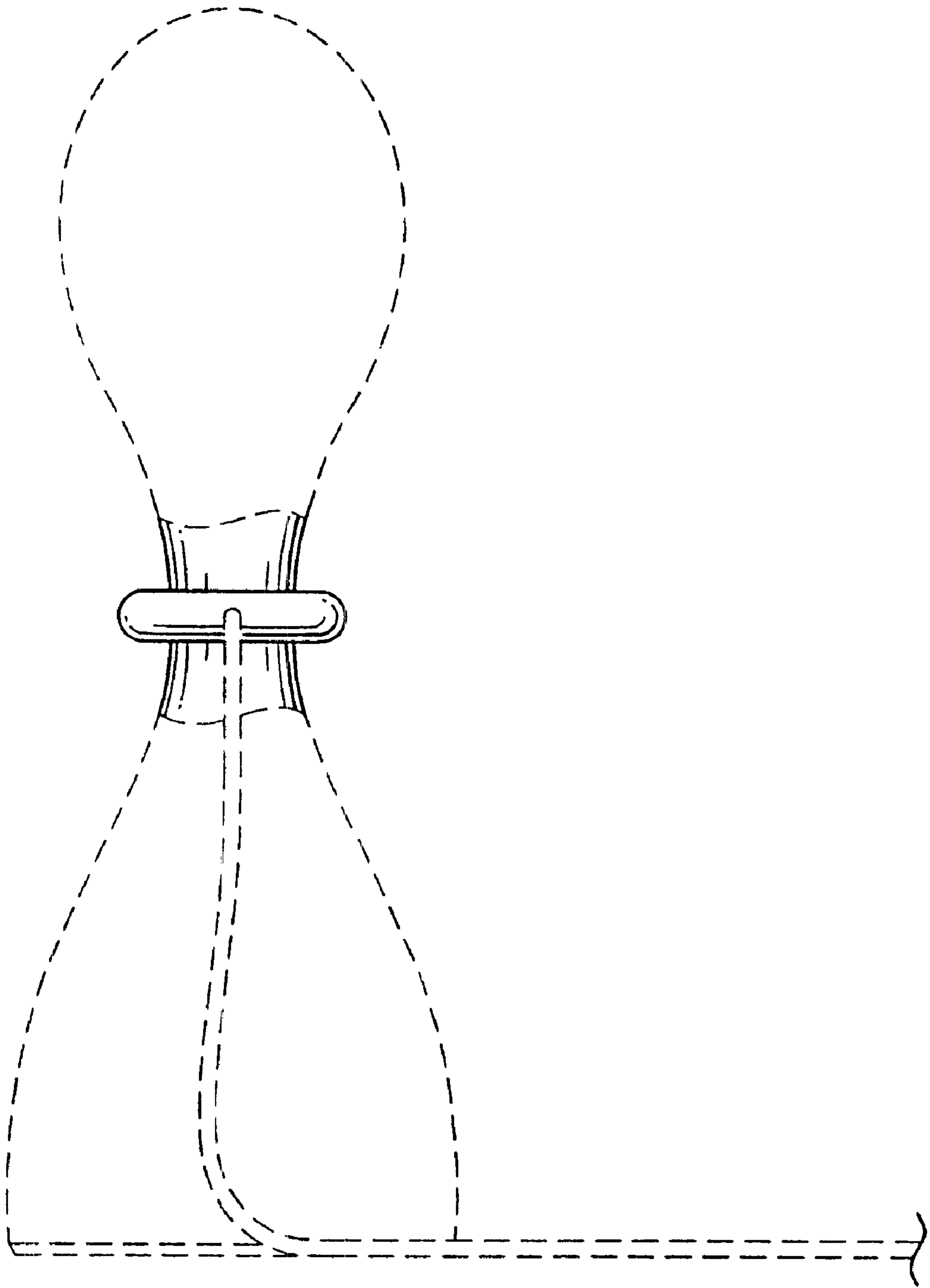


FIG. 4