



US00D467890S

(12) **United States Design Patent**
Lai et al.

(10) **Patent No.:** **US D467,890 S**

(45) **Date of Patent:** **** Dec. 31, 2002**

- (54) **CELLULAR PHONE WITH PERSONAL DIGITAL ASSISTANT**
- (75) Inventors: **Cheng-Shing Lai**, Taipei Hsieng (TW);
Zhong-Li Peng, Nanking (CN)
- (73) Assignee: **Inventec Appliances Corp.**, Taipei Hsieng (TW)
- (**) Term: **14 Years**
- (21) Appl. No.: **29/161,260**
- (22) Filed: **May 28, 2002**
- (51) **LOC (7) Cl.** **14-03**
- (52) **U.S. Cl.** **D14/138; D14/144; D14/341**
- (58) **Field of Search** D14/137, 217,
D14/138, 218, 147-148, 247-248, 144,
336, 337, 341-347, 191; 379/433.01-433.13,
419, 434, 428.01-428.04, 420.01-420.04,
440; D13/168, 171, 174; 455/550-575,
90; D21/517, 331, 333; 361/679, 681, 683;
345/156, 168, 169, 172, 173, 905

- D418,117 S * 12/1999 Wade et al. D14/342
- D422,271 S * 4/2000 Kawashima D14/343
- D422,595 S * 4/2000 Taylor et al. D14/240
- D423,468 S * 4/2000 Jenkins D14/342
- D425,056 S * 5/2000 Edwards et al. D14/138
- D425,067 S * 5/2000 Nguyen et al. D14/191
- D432,511 S * 10/2000 Eckholm D14/138
- D432,535 S * 10/2000 Loh et al. D14/345
- D433,016 S * 10/2000 Matsuda et al. D14/345
- D442,569 S * 5/2001 Hanna et al. D14/138
- D442,583 S * 5/2001 Ohta et al. D14/346
- D446,199 S * 8/2001 Xu et al. D14/138
- D450,054 S * 11/2001 Dworkin D14/443
- D453,149 S * 1/2002 Skoger et al. D14/138
- D454,563 S * 3/2002 Brown et al. D14/342
- D456,804 S * 5/2002 Fisher et al. D14/341
- D456,805 S * 5/2002 Ono et al. D14/342
- D457,883 S * 5/2002 Sugioka et al. D14/342
- D460,448 S * 7/2002 Matsumoto D14/346
- D461,175 S * 8/2002 Yokota D14/144
- 2002/0077161 A1 * 6/2002 Eromaki 455/575

* cited by examiner

Primary Examiner—Jeffrey Asch
(74) *Attorney, Agent, or Firm*—Bacon & Thomas, PLLC

(56) **References Cited**

U.S. PATENT DOCUMENTS

- 4,927,986 A * 5/1990 Daly 178/19
- D313,401 S * 1/1991 Tanabe D14/346
- D341,823 S * 11/1993 Sakai D14/341
- D356,548 S * 3/1995 Bottcher et al. D14/341
- D356,550 S * 3/1995 Mizusugi et al. D14/341
- D361,552 S * 8/1995 Iino D14/341
- D398,904 S * 9/1998 Tamaki et al. D14/341
- D401,914 S * 12/1998 Kamegi D14/343
- D408,021 S * 4/1999 Haitani et al. D14/345
- D408,372 S * 4/1999 Ota et al. D14/346
- D409,185 S * 5/1999 Kawashima D14/138
- D410,486 S * 6/1999 Takahata et al. D14/345
- D416,001 S * 11/1999 Tal et al. D14/347
- D416,253 S * 11/1999 Hibino D14/138
- D417,657 S * 12/1999 Matsumoto D14/343

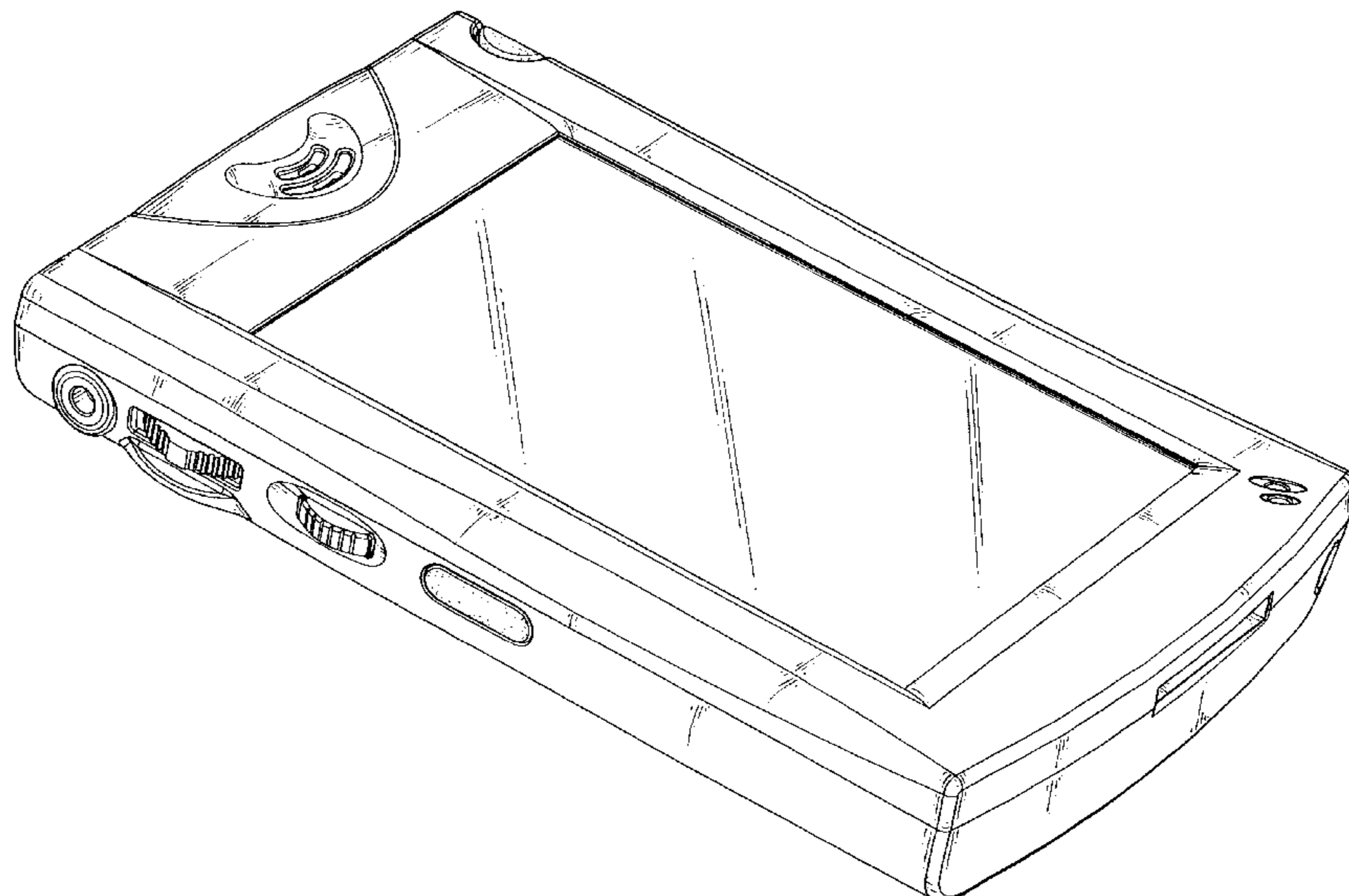
(57) **CLAIM**

The ornamental design for cellular phone with personal digital assistant, as shown and described.

DESCRIPTION

FIG. 1 is a perspective view of cellular phone with personal digital assistant showing my new disign.
FIG. 2 a front elevational view thereof;
FIG. 3 is a rear elevational view thereof;
FIG. 4 is a left side elevational view thereof;
FIG. 5 is a right side elevational view thereof;
FIG. 6 is a top plan view thereof; and,
FIG. 7 is a bottom plan view thereof.

1 Claim, 5 Drawing Sheets



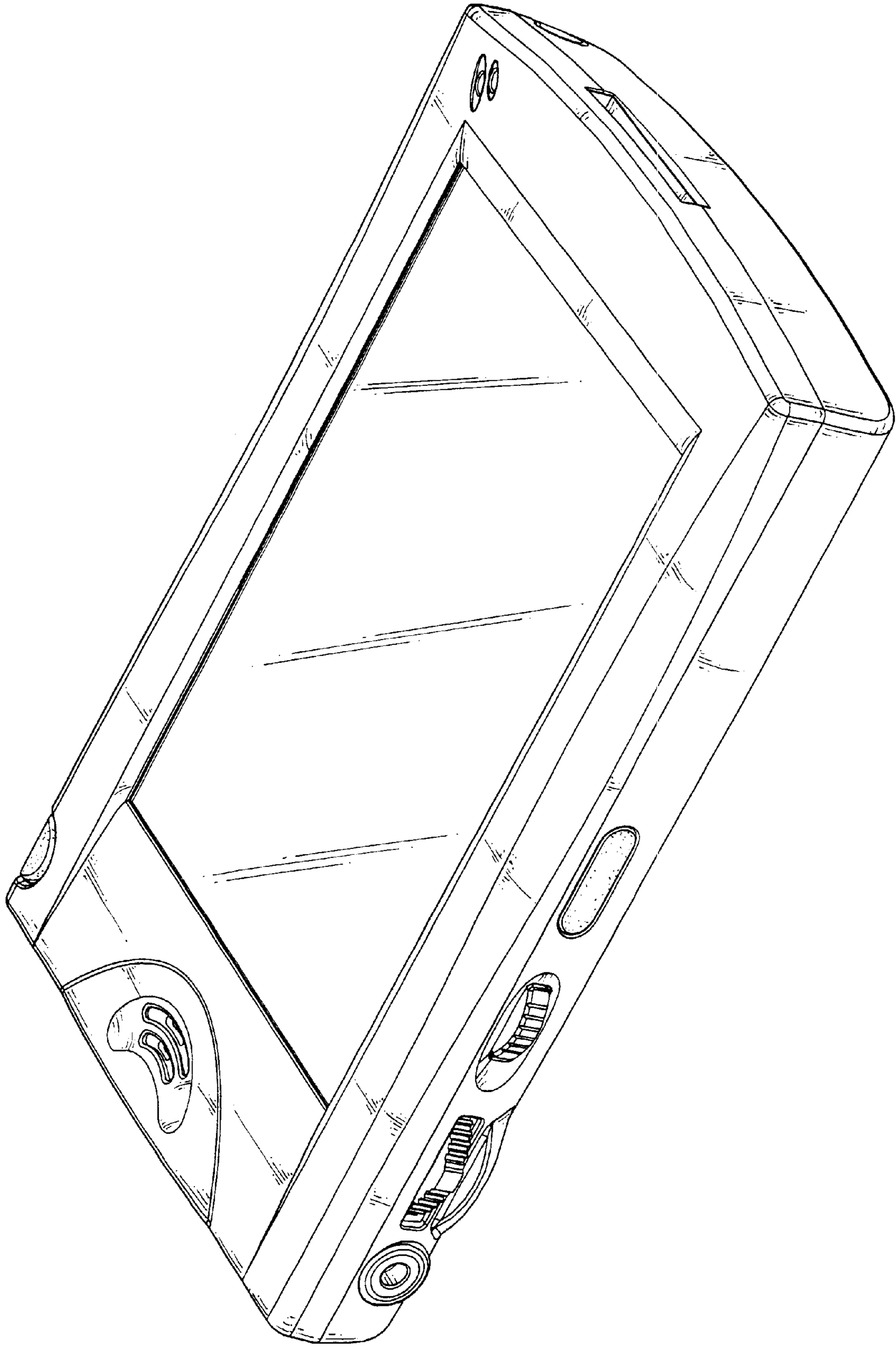


FIG. 1

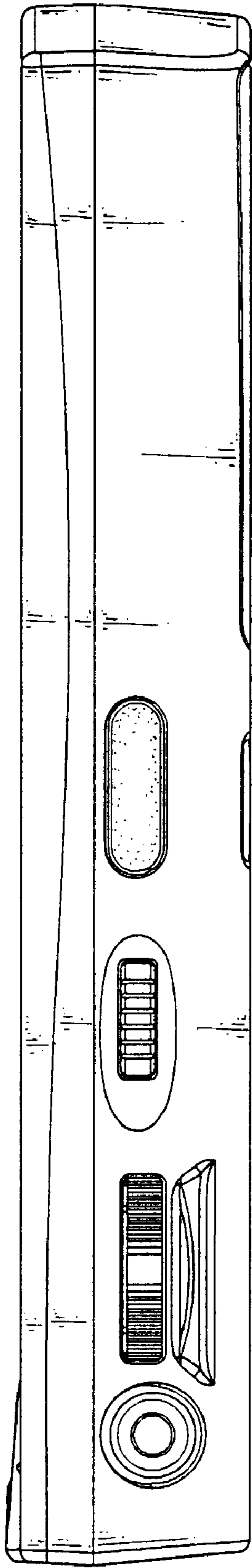


FIG. 2

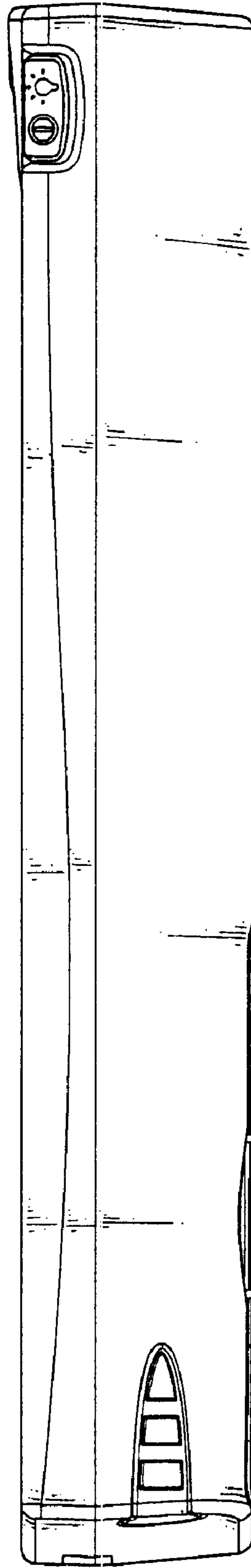


FIG. 3

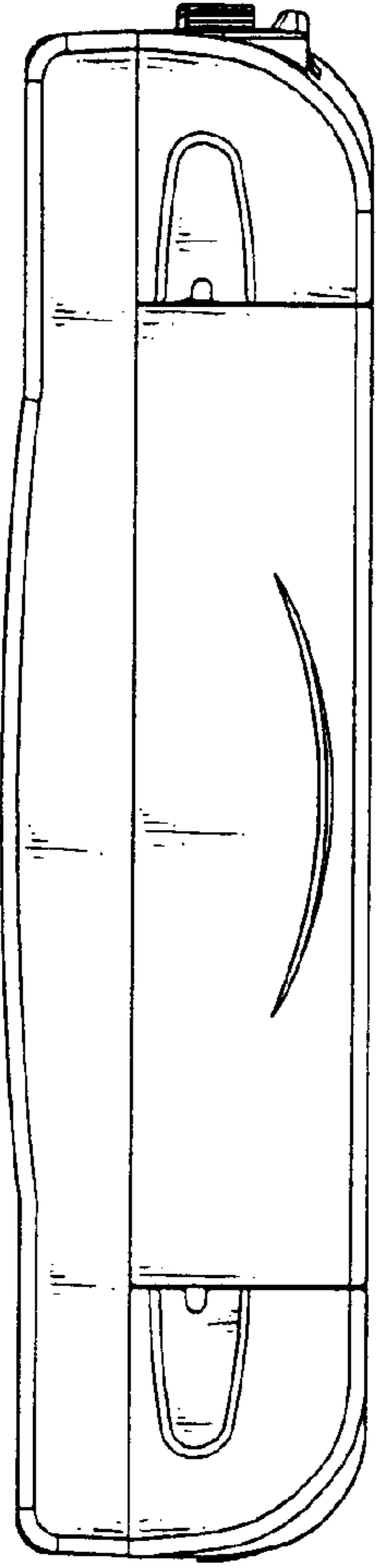


FIG. 4

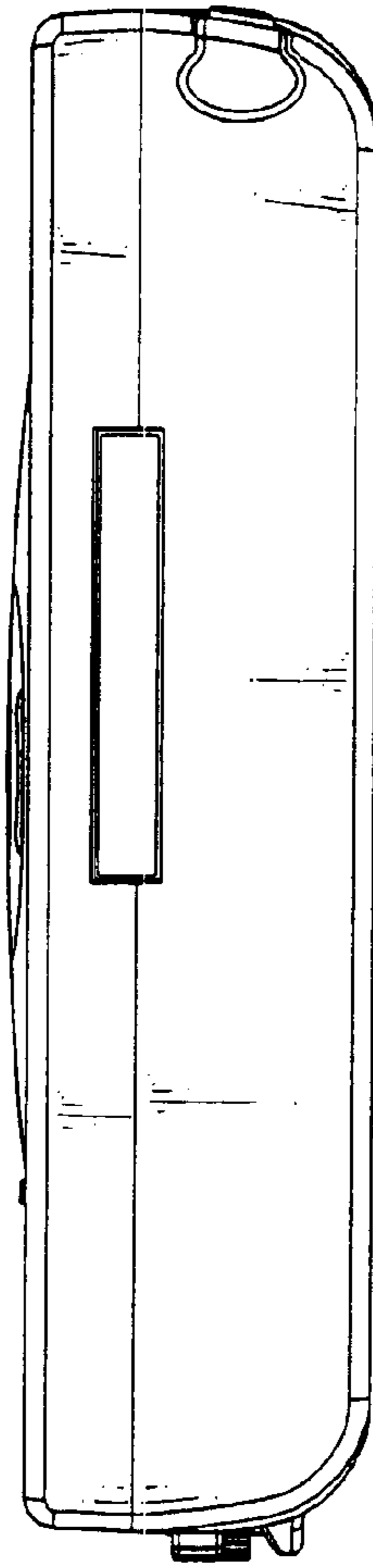


FIG. 5

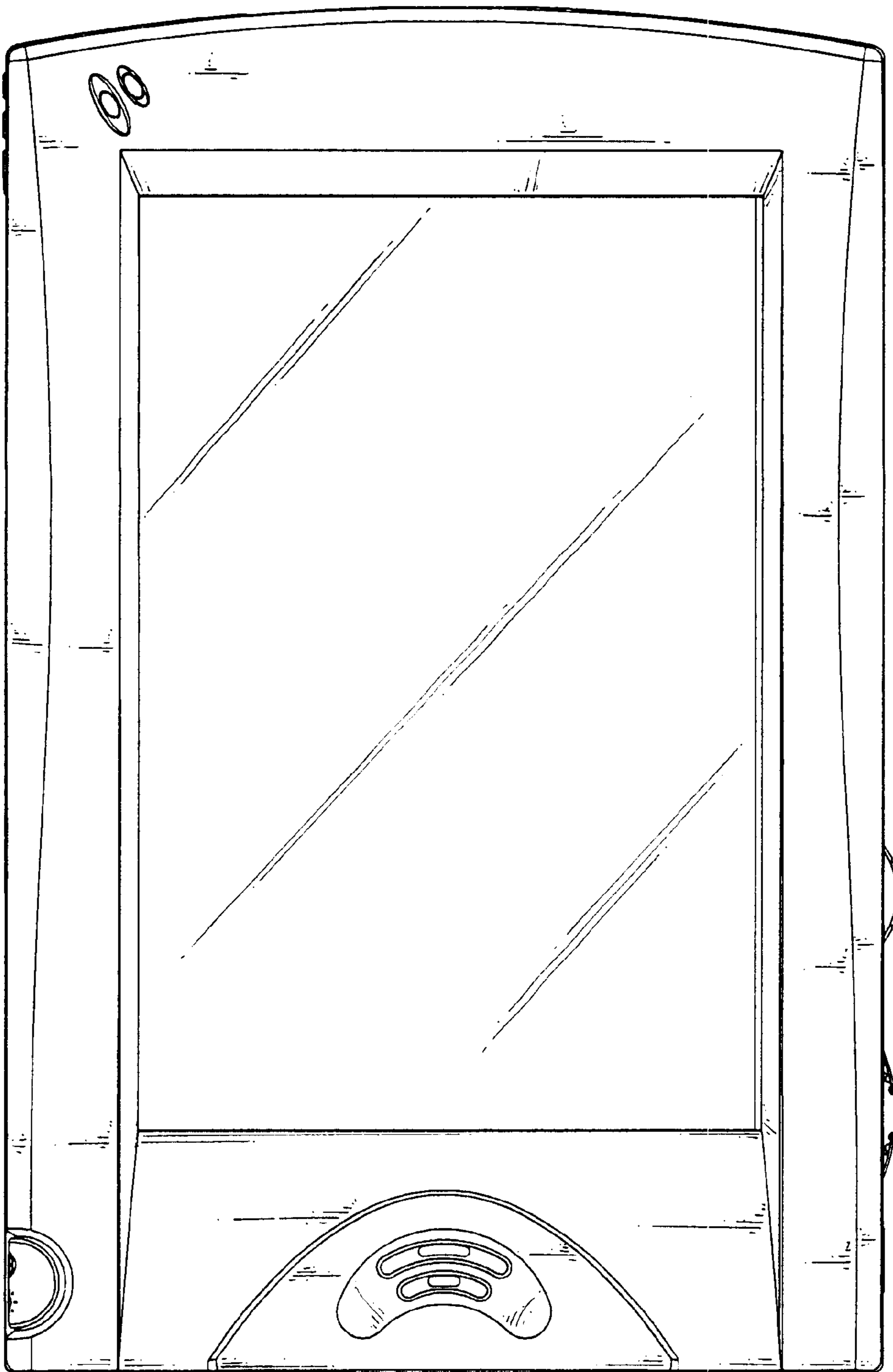


FIG. 6

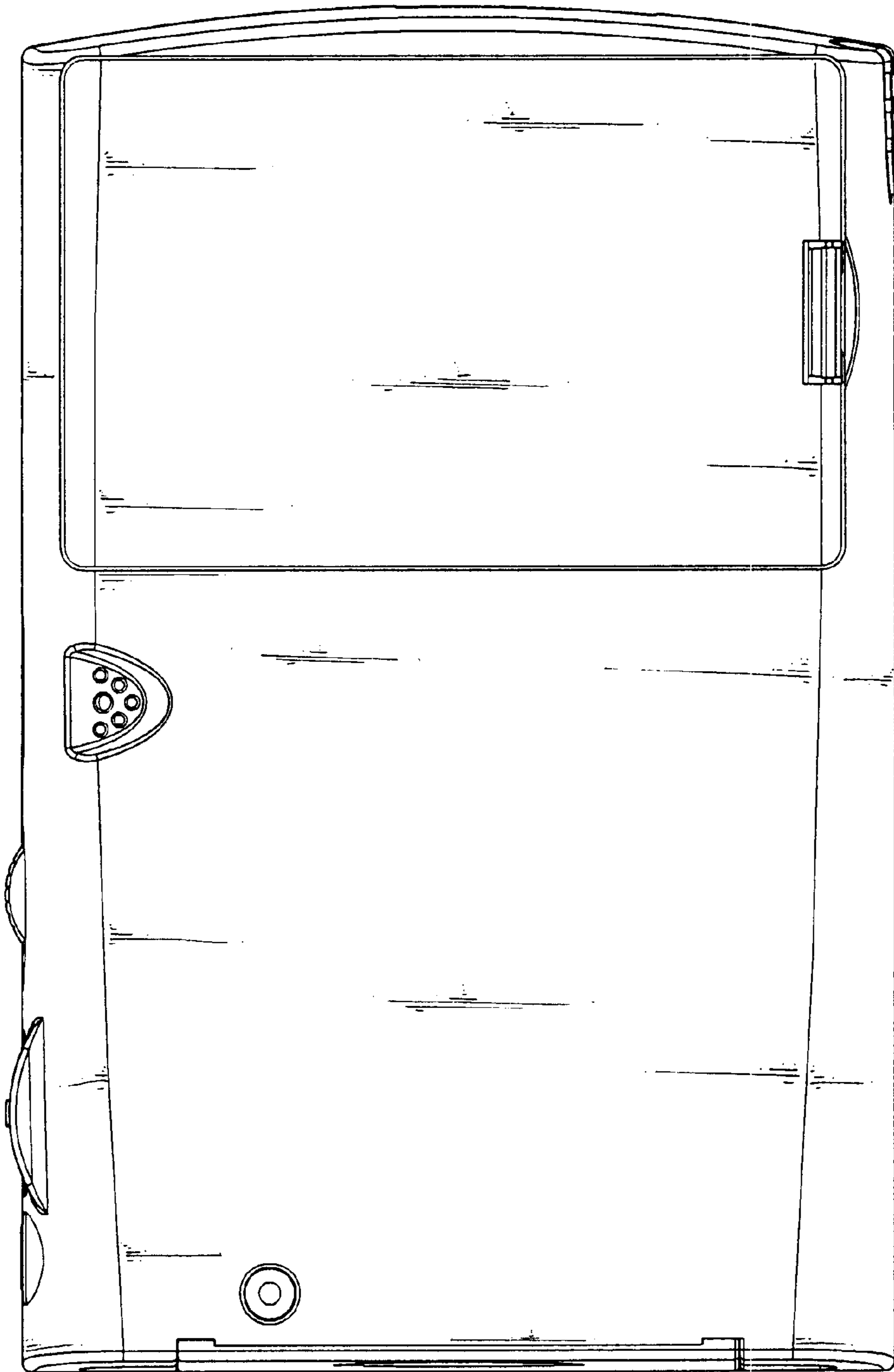


FIG. 7