



US00D467886S

(12) **United States Design Patent** (10) **Patent No.:** **US D467,886 S**
Namaky et al. (45) **Date of Patent:** **** Dec. 31, 2002**

(54) **HOUSING FOR AN ELECTRICAL DEVICE**

(57) **CLAIM**

(76) Inventors: **Hamid Namaky**, 12 Daisy La., South Russell, OH (US) 44022; **Michael A. Disch**, 15425 Sunset Dr., Strongsville, OH (US) 44136

The ornamental design for a housing for an electrical device, as shown and described.

(**) Term: **14 Years**

DESCRIPTION

(21) Appl. No.: **29/138,753**

FIG. 1 is a front perspective view of a housing for an electrical device showing my new design;

(22) Filed: **Mar. 19, 2001**

FIG. 2 is a front elevational view of the first embodiment of the housing.

(51) **LOC (7) Cl.** **13-03**

(52) **U.S. Cl.** **D13/184**

FIG. 3 is a rear elevational view of the first embodiment of the housing.

(58) **Field of Search** D9/338, 529; D10/75, D10/78, 80, 105; D13/184; 73/431; 174/50, 51, 52.1; 206/702, 703, 706, 707, 710, 713, 718, 719, 722; 361/600-678, 679, 683, 685, 692, 709, 724, 730, 735, 736, 752, 763, 728; 439/76.1

FIG. 4 is a left side elevational view of the first embodiment of the housing. The right side elevational view (not shown) is a mirror image of the left side elevational view.

FIG. 5 is a top plan view of the first embodiment of the housing.

FIG. 6 is a bottom plan view of the first embodiment of the housing.

(56) **References Cited**

U.S. PATENT DOCUMENTS

5,233,506 A	*	8/1993	Semenik et al.	361/814
D361,288 S	*	8/1995	Chandwick et al.	D10/78
D399,774 S	*	10/1998	Noble	D10/78
D400,114 S	*	10/1998	Beha	D10/78
D406,540 S	*	3/1999	Anzalone	D10/78
D414,125 S	*	9/1999	Chen	D10/78
D418,437 S	*	1/2000	Peterson	D10/78
D446,135 S	*	8/2001	Chen	D10/57

FIG. 7 is a front perspective view of a second embodiment of the housing. The front and rear elevational views of the second embodiment of the housing are identical, respectively, to the front and rear elevational views of the first embodiment as shown in FIGS. 2 and 3.

FIG. 8 is a left side elevational view of the second embodiment of the housing. The right side elevational view (not shown) is a mirror image of the left side elevational view.

FIG. 9 is a top plan view of the second embodiment of the housing.

FIG. 10 is a bottom plan view of the second embodiment of the housing.

FIG. 11 is an additional front perspective of the first embodiment showing an alternate configuration of the unclaimed environment; and,

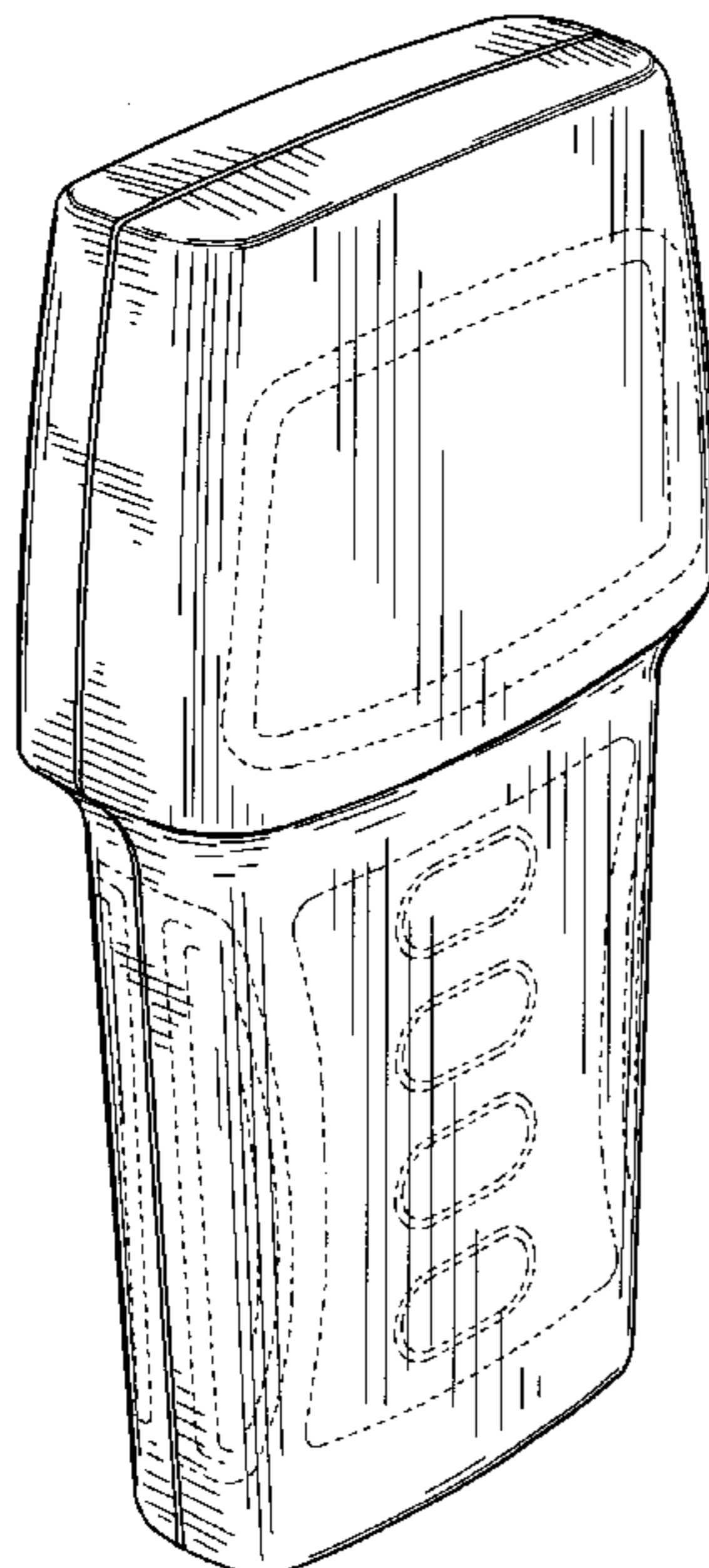
FIG. 12 is an additional front elevational view of the first embodiment showing an alternate configuration of the unclaimed environment.

* cited by examiner

The broken line showings in the drawings are for illustrative purposes only and form no part of the claimed design.

Primary Examiner—Ted Shooman
Assistant Examiner—Selina Sikder
(74) *Attorney, Agent, or Firm*—Calfee, Halter & Griswold LLP

1 Claim, 7 Drawing Sheets



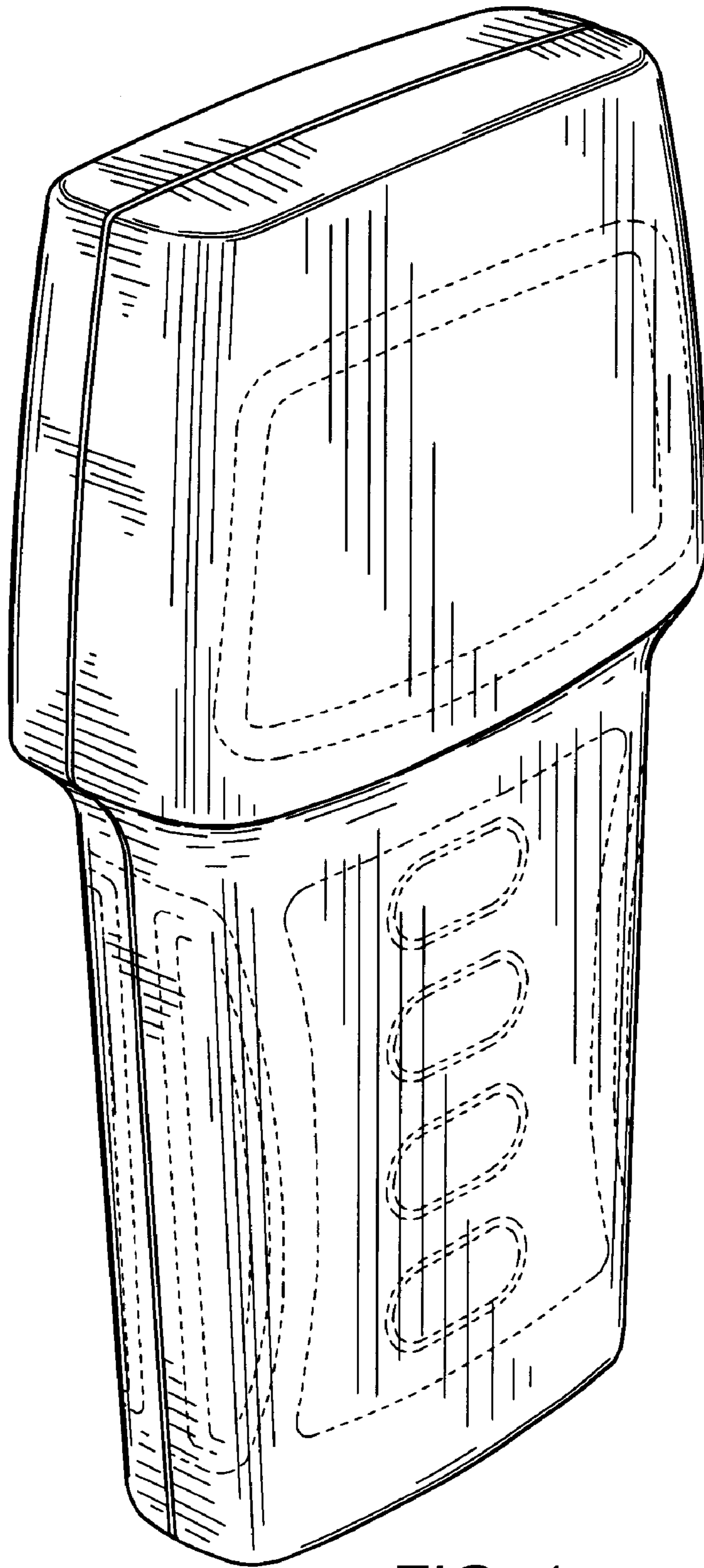


FIG. 1

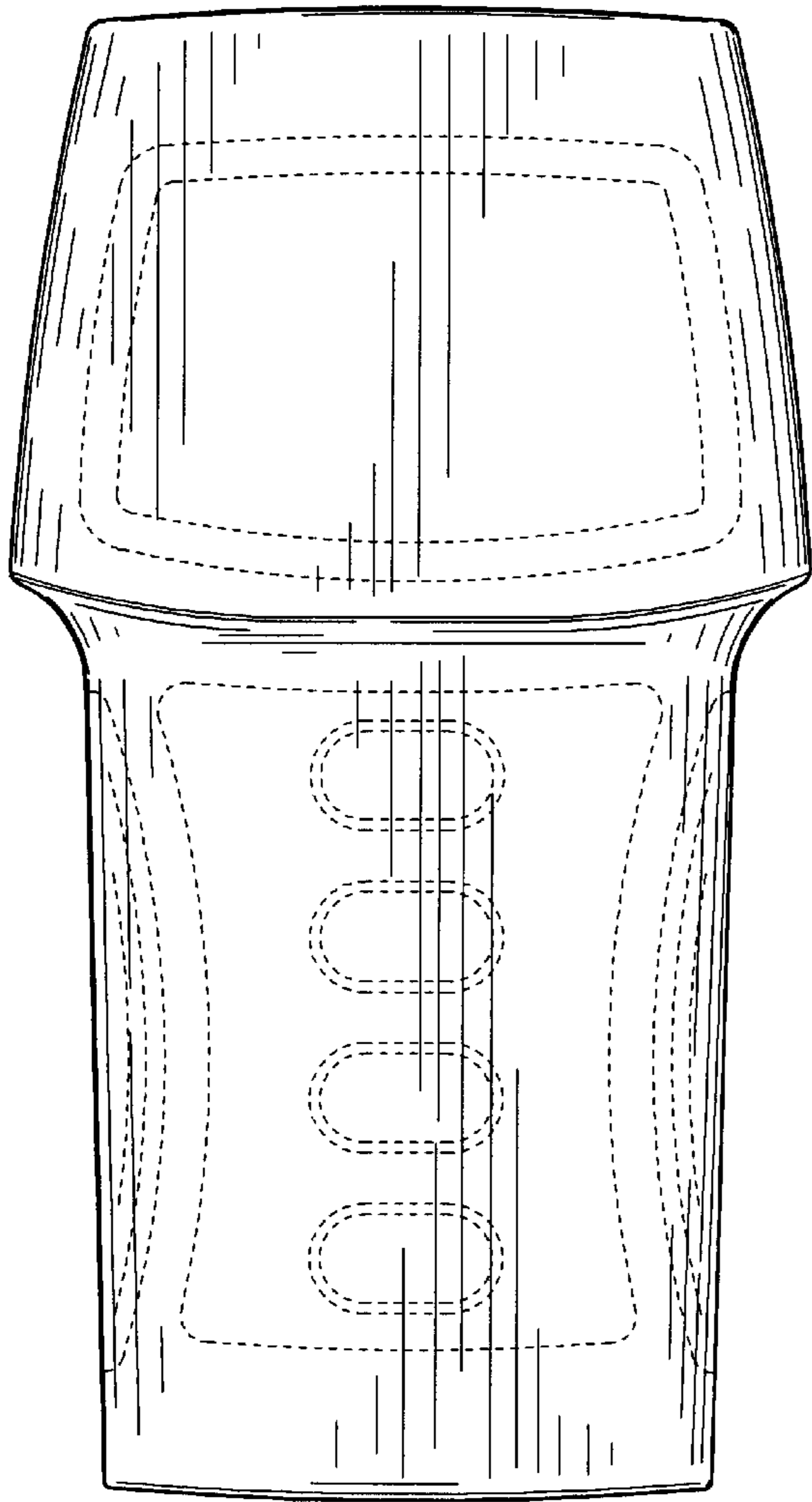


FIG. 2

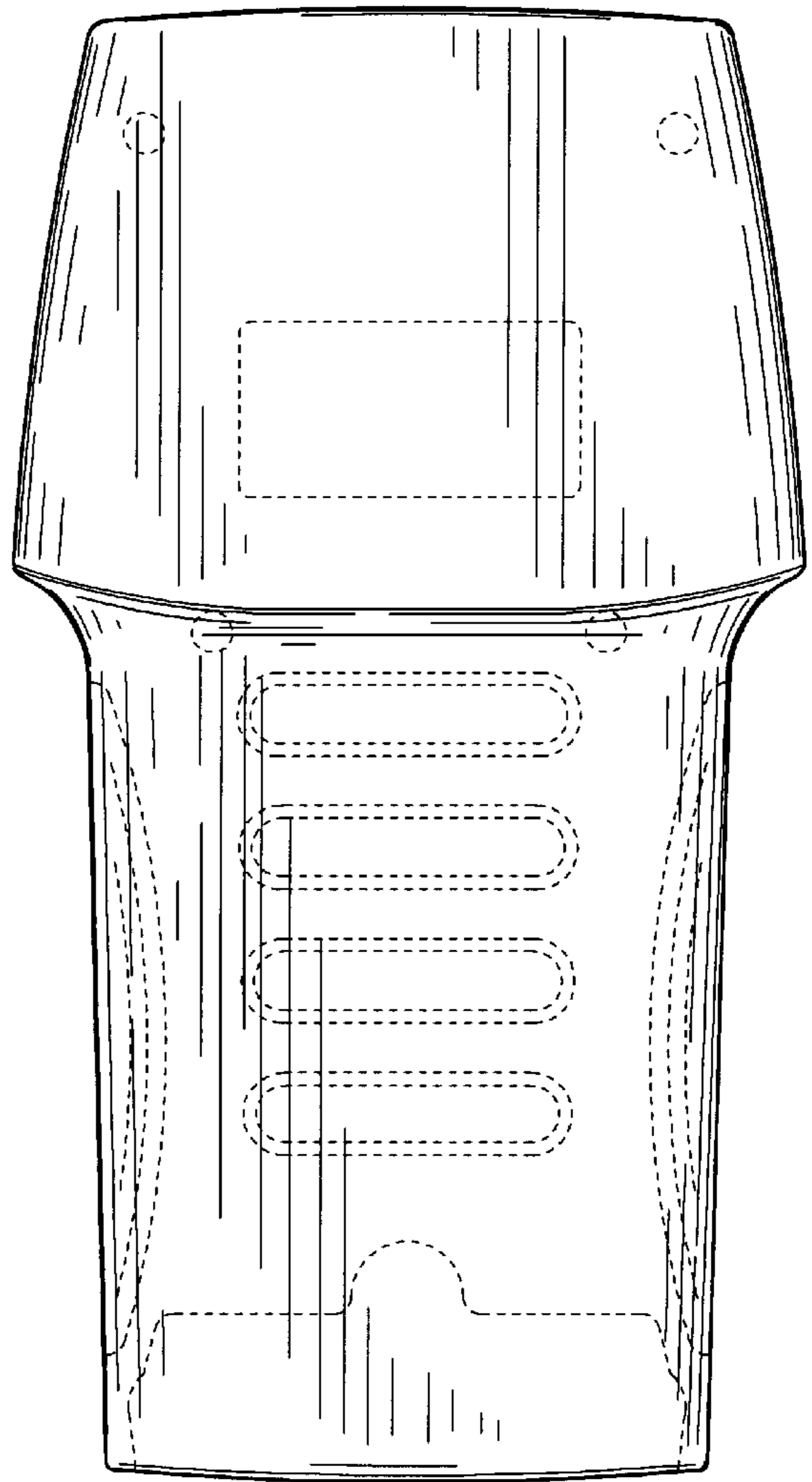


FIG. 3

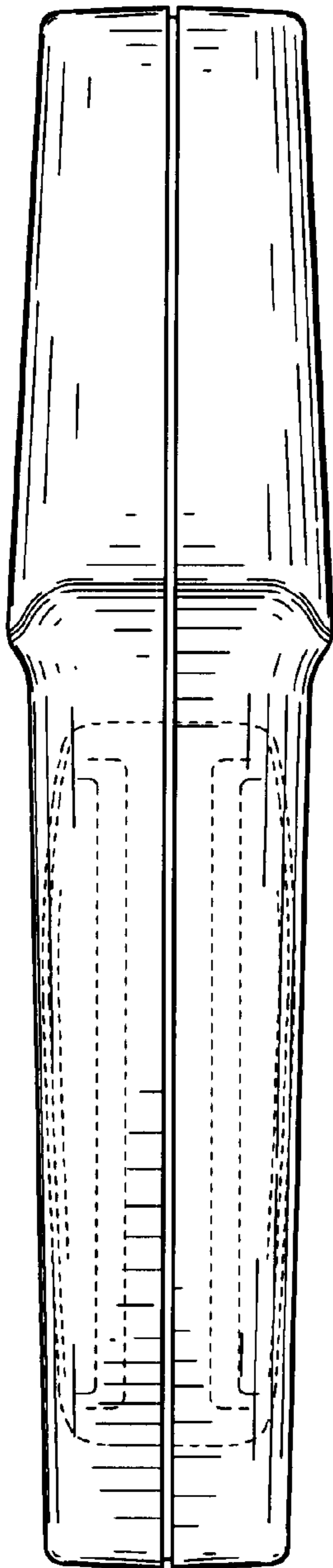


FIG. 4

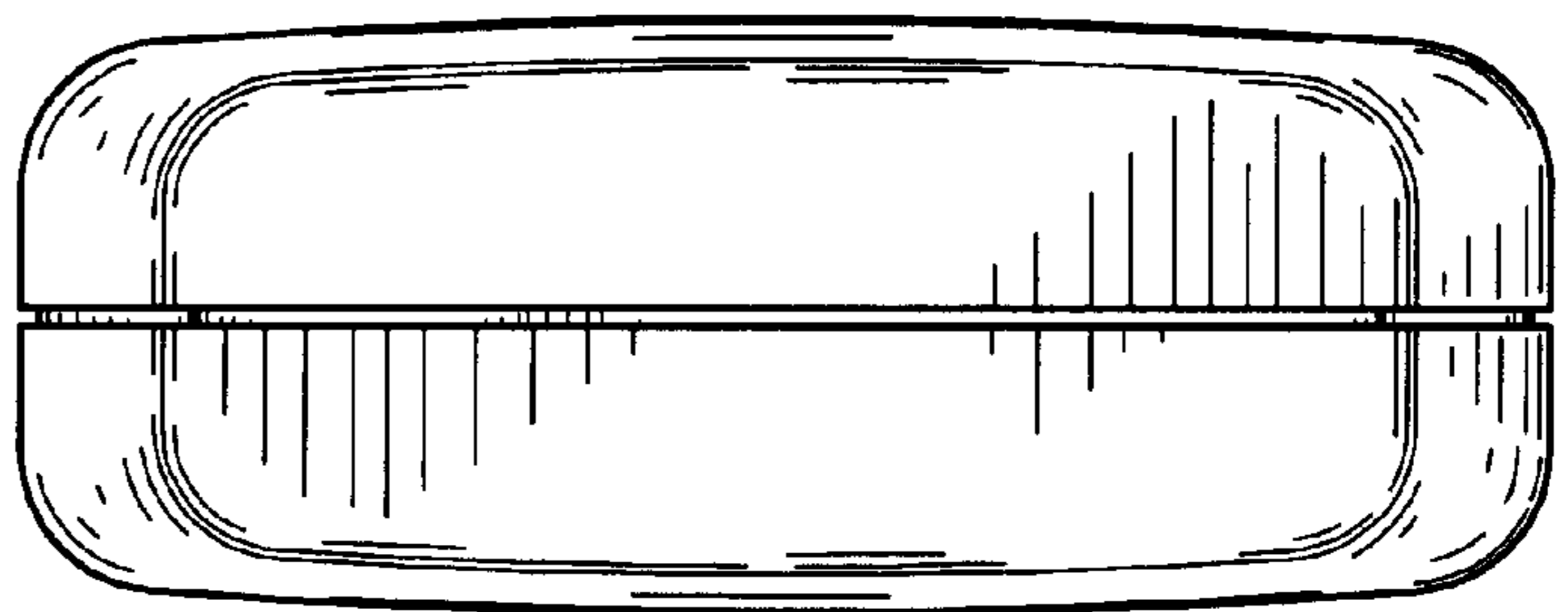


FIG. 5

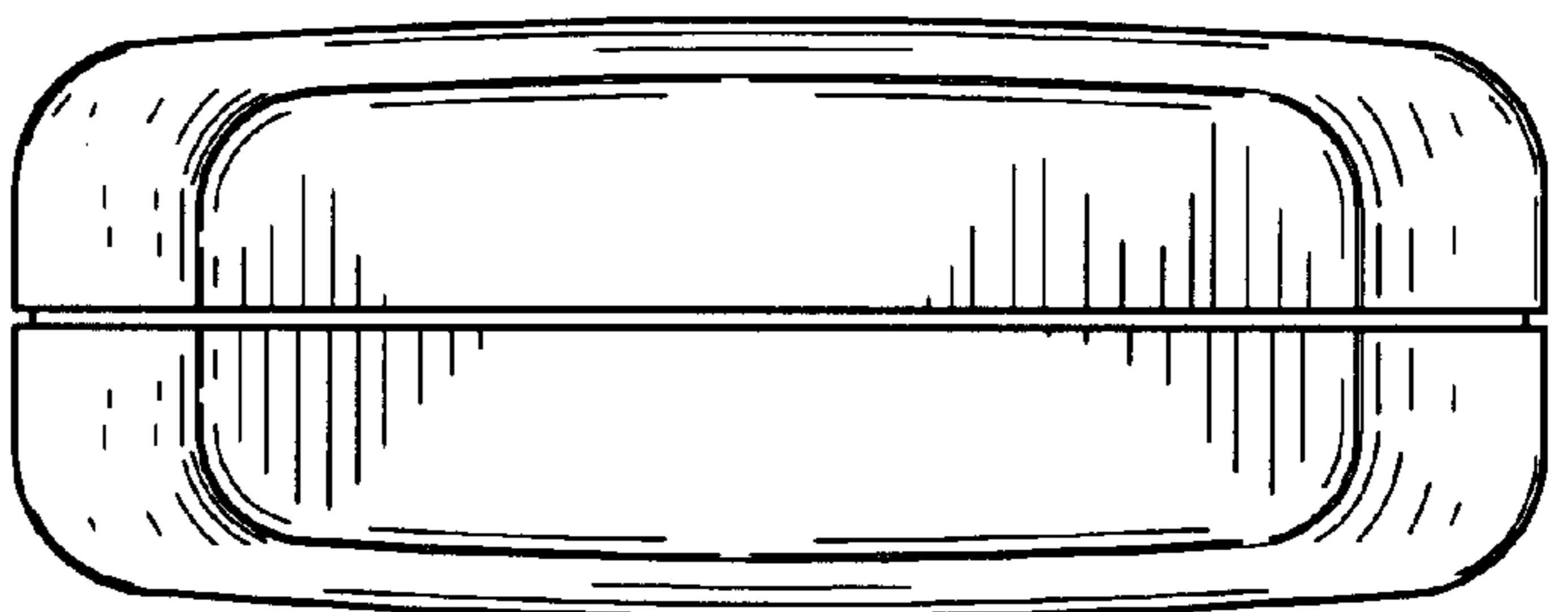


FIG. 6

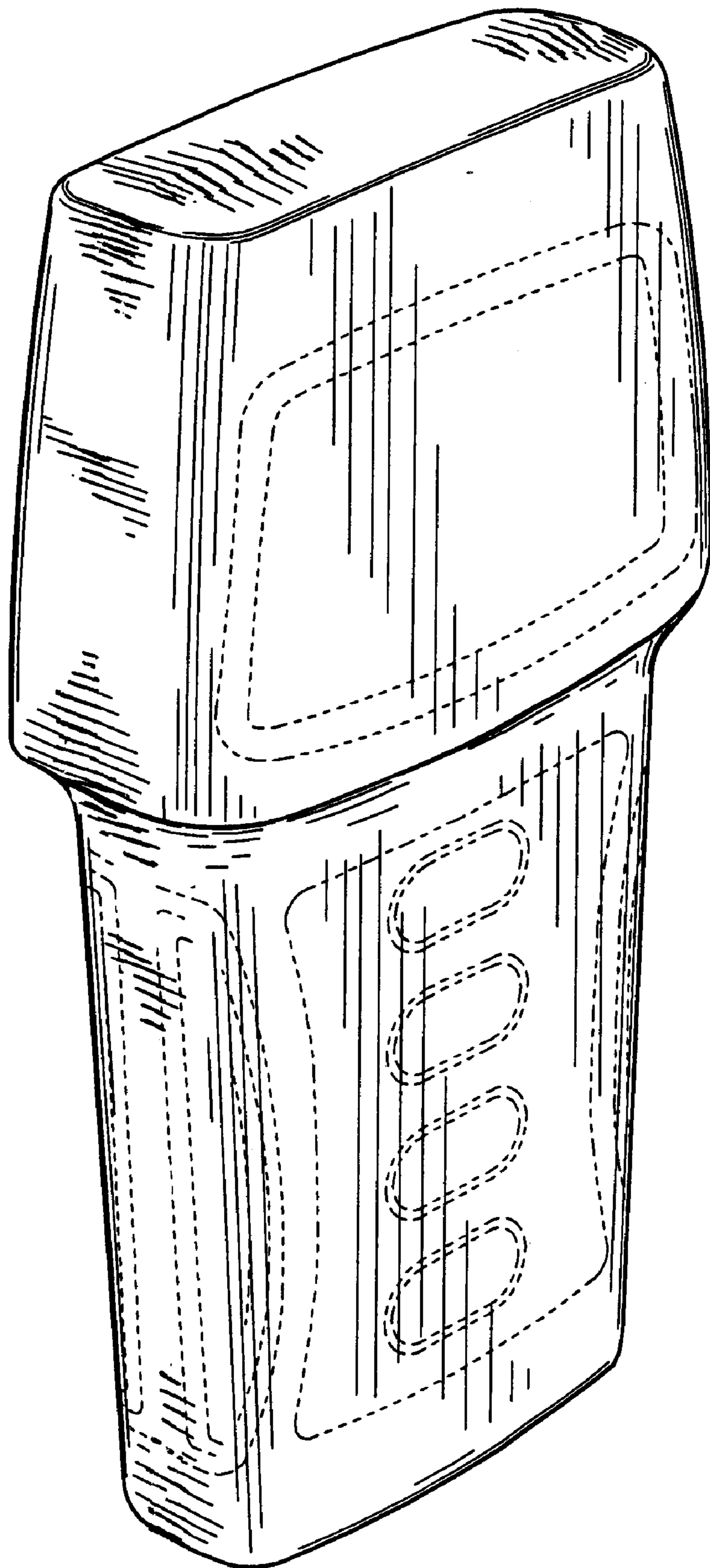


FIG. 7

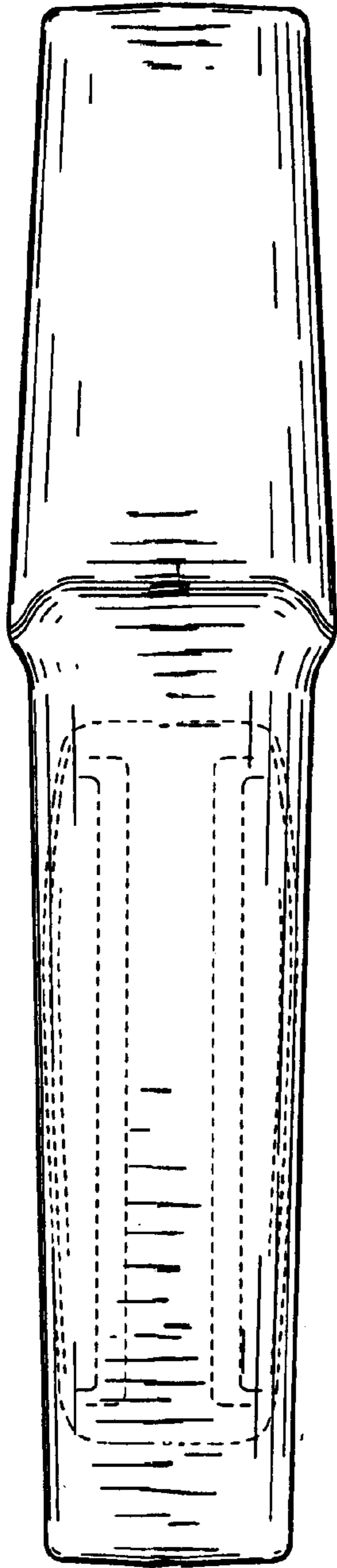


FIG. 8



FIG. 9

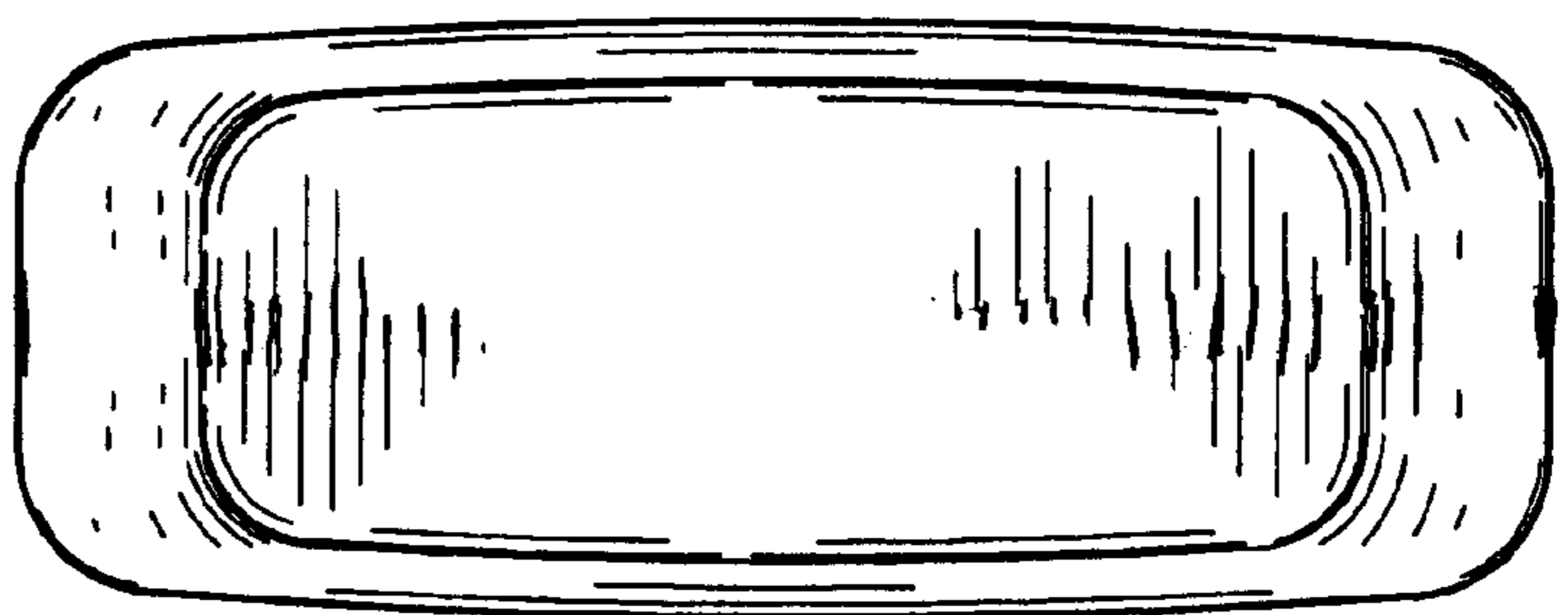


FIG. 10

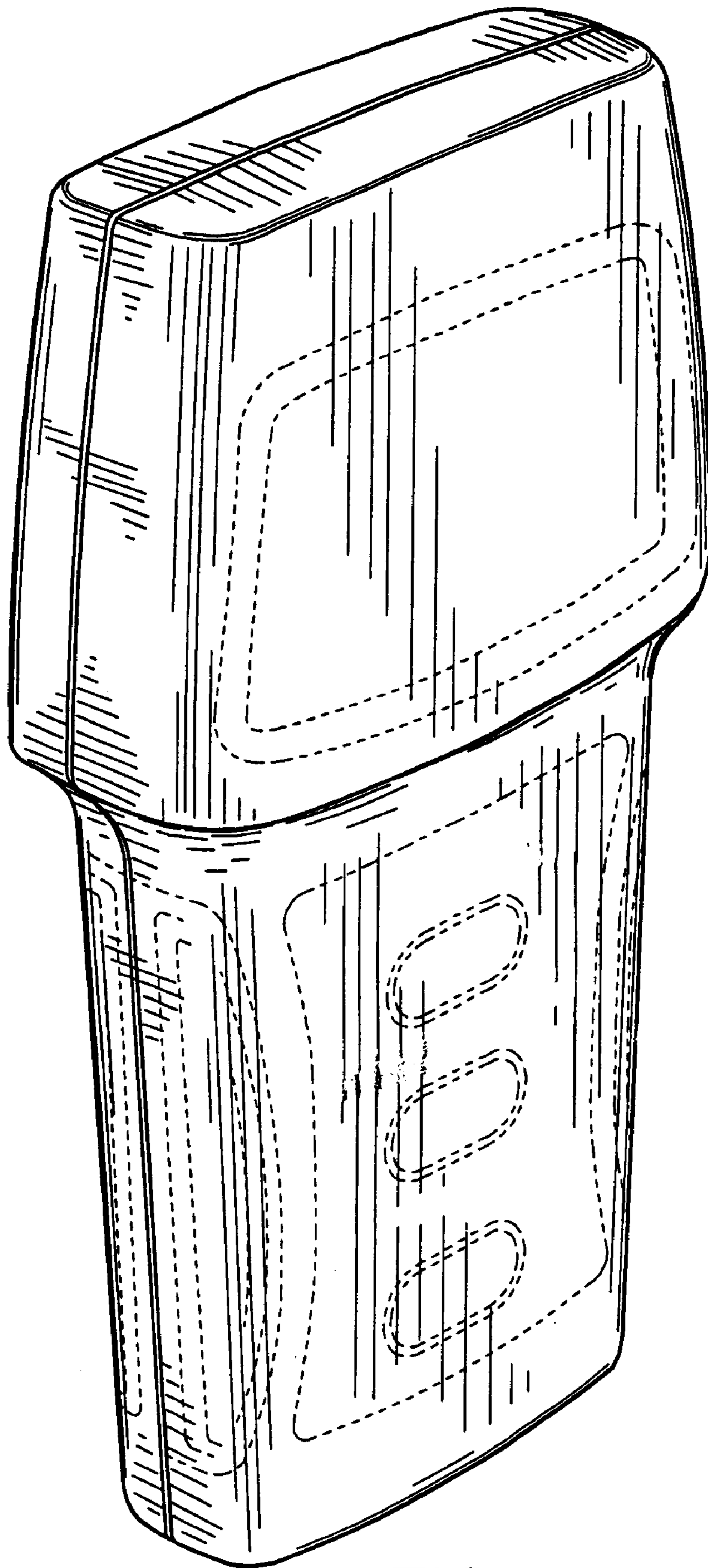


FIG. 11

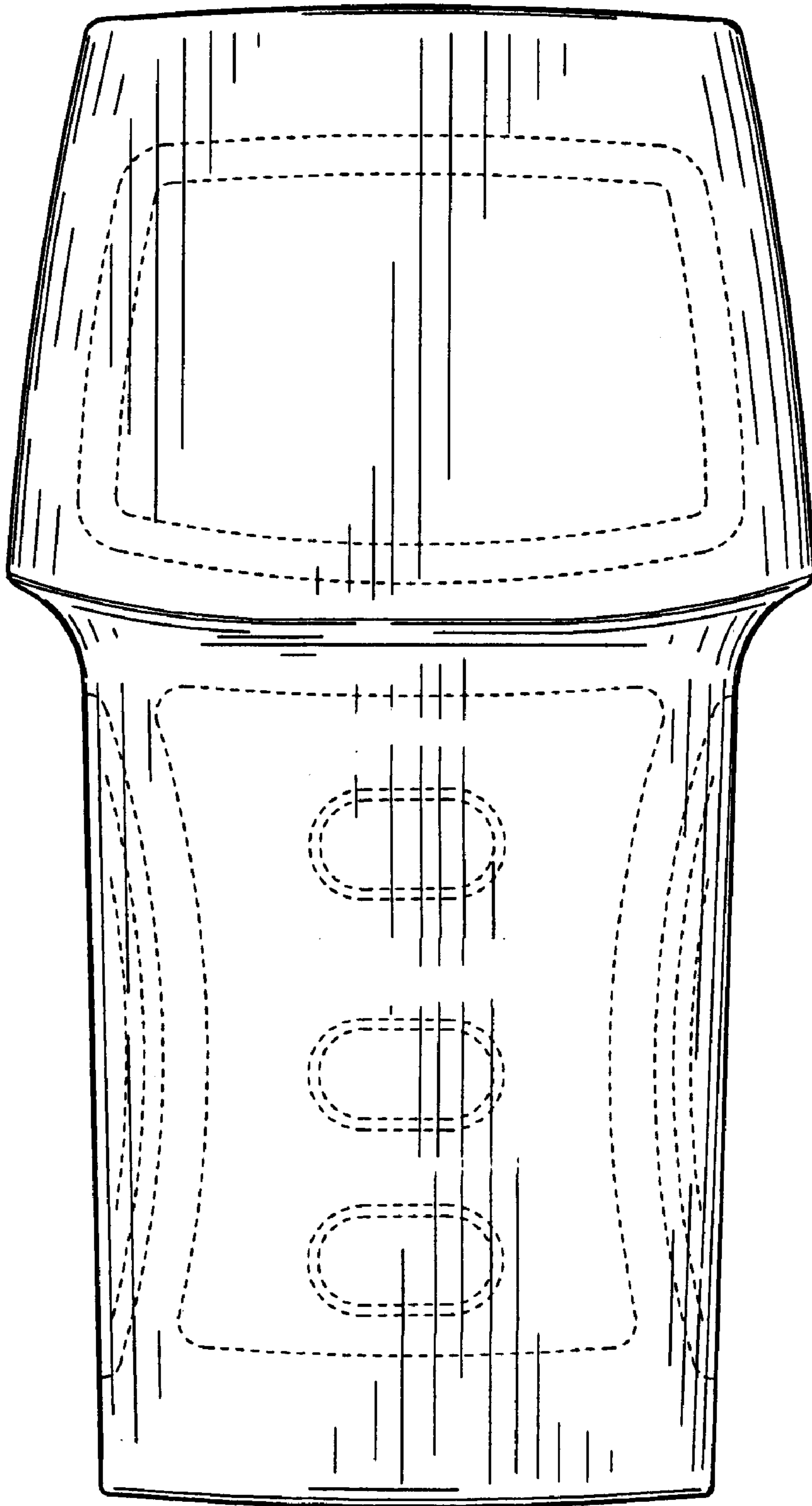


FIG. 12