



US00D467883S

(12) **United States Design Patent** (10) **Patent No.:** **US D467,883 S**
Renne et al. (45) **Date of Patent:** **** Dec. 31, 2002**

(54) **CIRCUIT BREAKER FACE**

(75) Inventors: **Scott Wayne Renne**, Bellingham, WA (US); **Kevin Lowell Lacy**, Bellingham, WA (US); **Porter Hoagland, Jr.**, West Mystic, CT (US)

(73) Assignee: **Blue Sea Systems**, Bellingham, WA (US)

(**) Term: **14 Years**

(21) Appl. No.: **29/140,862**

(22) Filed: **Apr. 25, 2001**

(51) **LOC (7) Cl.** **13-03**

(52) **U.S. Cl.** **D13/160**

(58) **Field of Search** D13/158, 160, D13/178, 184; 200/43.01, 43.16, 293, 293.1, 294, 308, 302.3, 318.2, 330, 329; 335/68, 73; 337/33, 35, 60, 66, 67, 68, 91

(56) **References Cited**

U.S. PATENT DOCUMENTS

2,620,409	A	*	2/1952	Cobb et al.	200/11	EA
3,980,845	A	*	9/1976	Gryctko et al.	200/50.15	
4,531,174	A	*	7/1985	Rickmann	361/609	
5,004,994	A		4/1991	Korczynski et al.	337/66	
5,021,761	A		6/1991	Stack et al.	337/68	
D321,339	S		11/1991	Stack et al.	D13/160	
D322,960	S		1/1992	Stack et al.	D13/160	
D357,669	S		4/1995	Stack et al.	D13/178	
5,607,047	A	*	3/1997	Leet et al.	200/303	
5,694,106	A		12/1997	Wang	337/79	
5,902,973	A	*	5/1999	Ramey et al.	200/50.01	
6,015,956	A	*	1/2000	Green	200/43.14	

6,144,001	A	*	11/2000	Green et al.	200/304	
6,192,718	B1	*	2/2001	Bollinger, Jr. et al.	70/2	
6,194,983	B1	*	2/2001	Bogdon et al.	335/68	
6,275,126	B1	*	8/2001	Martelli et al.	335/202	

* cited by examiner

Primary Examiner—Ted Shooman

Assistant Examiner—Selina Sikder

(74) *Attorney, Agent, or Firm*—Brian L. Johnson; George C. Rondeau, Jr.; Davis Wright Tremaine LLP

(57) **CLAIM**

The ornamental design for a circuit breaker face, as shown and described.

DESCRIPTION

FIG. 1 is an isometric view of a circuit breaker face showing our new design.

FIG. 2 is a front elevation view thereof.

FIG. 3 is a bottom plan view thereof.

FIG. 4 is a left side elevation view thereof.

FIG. 5 is a top plan view thereof.

FIG. 6 is a right side elevation view thereof.

FIG. 7 is a rear elevation view thereof.

FIG. 8 is an isometric view of a second embodiment thereof.

FIG. 9 is a front elevation view thereof.

FIG. 10 is a bottom plan view thereof.

FIG. 11 is a left side elevation view thereof.

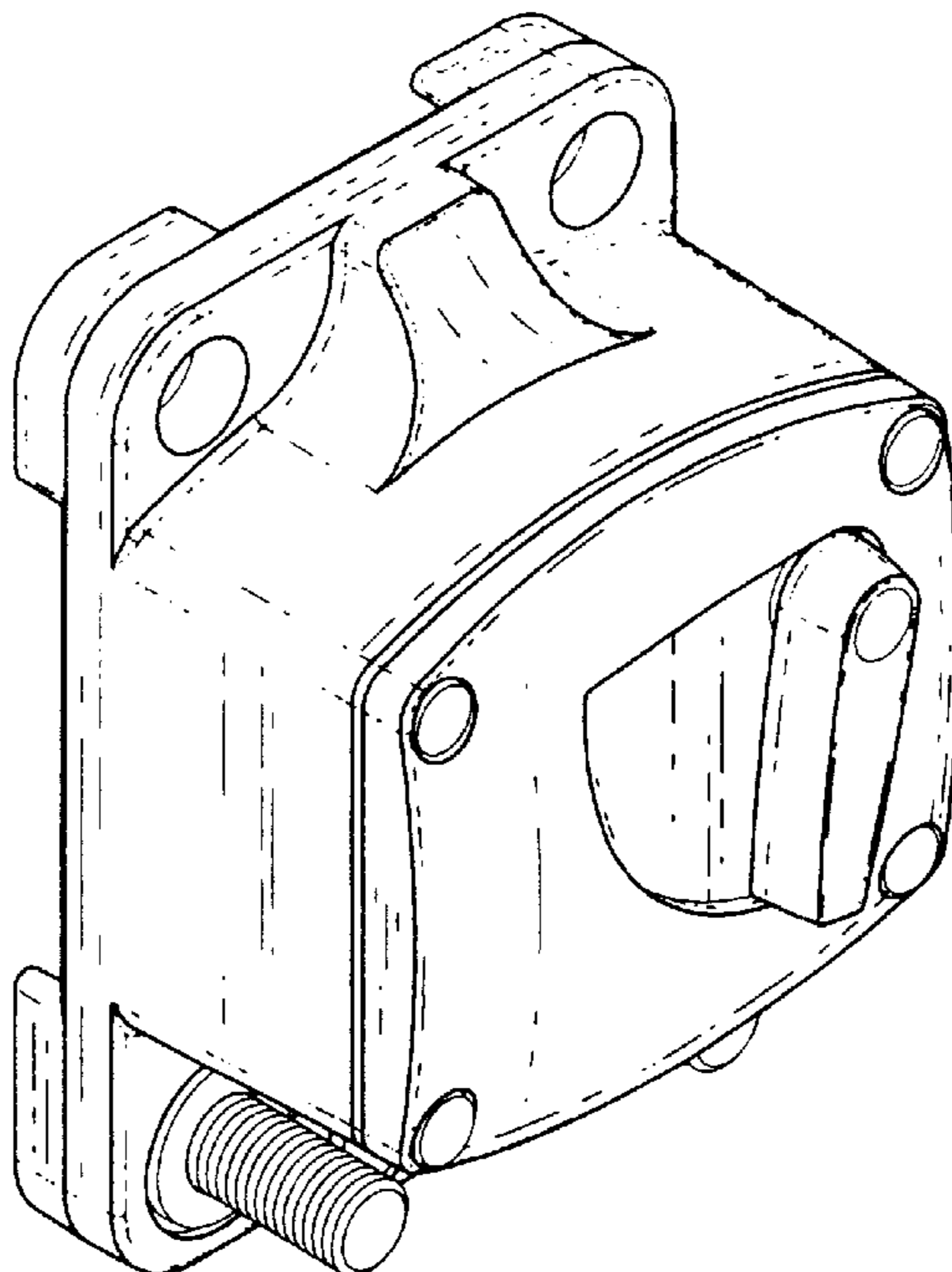
FIG. 12 is a top plan view thereof.

FIG. 13 is a right side elevation view thereof; and,

FIG. 14 is a rear elevation view thereof.

The broken lines are for illustrative purposes only and form no part of the claimed design.

1 Claim, 8 Drawing Sheets



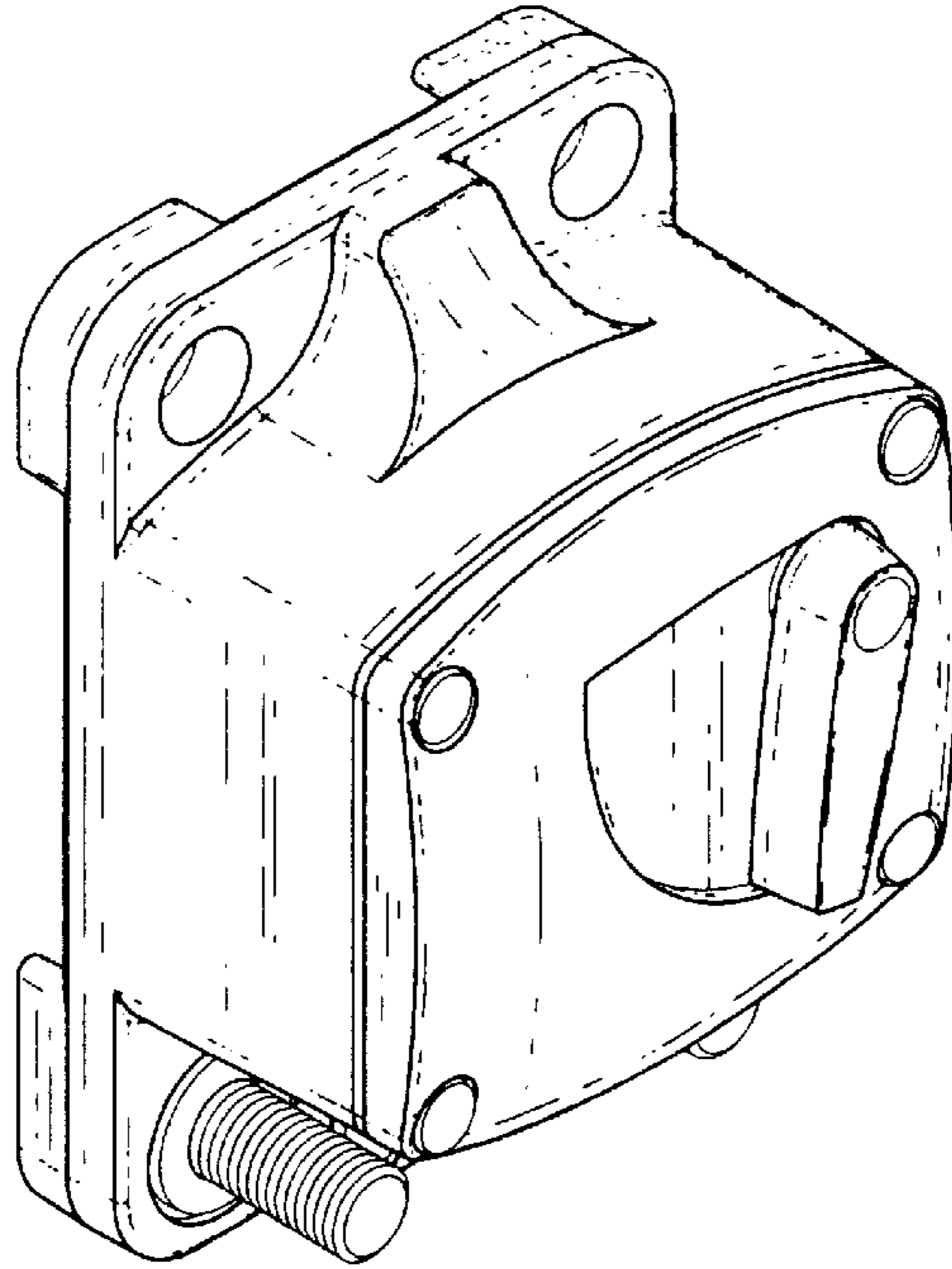


Fig. 1

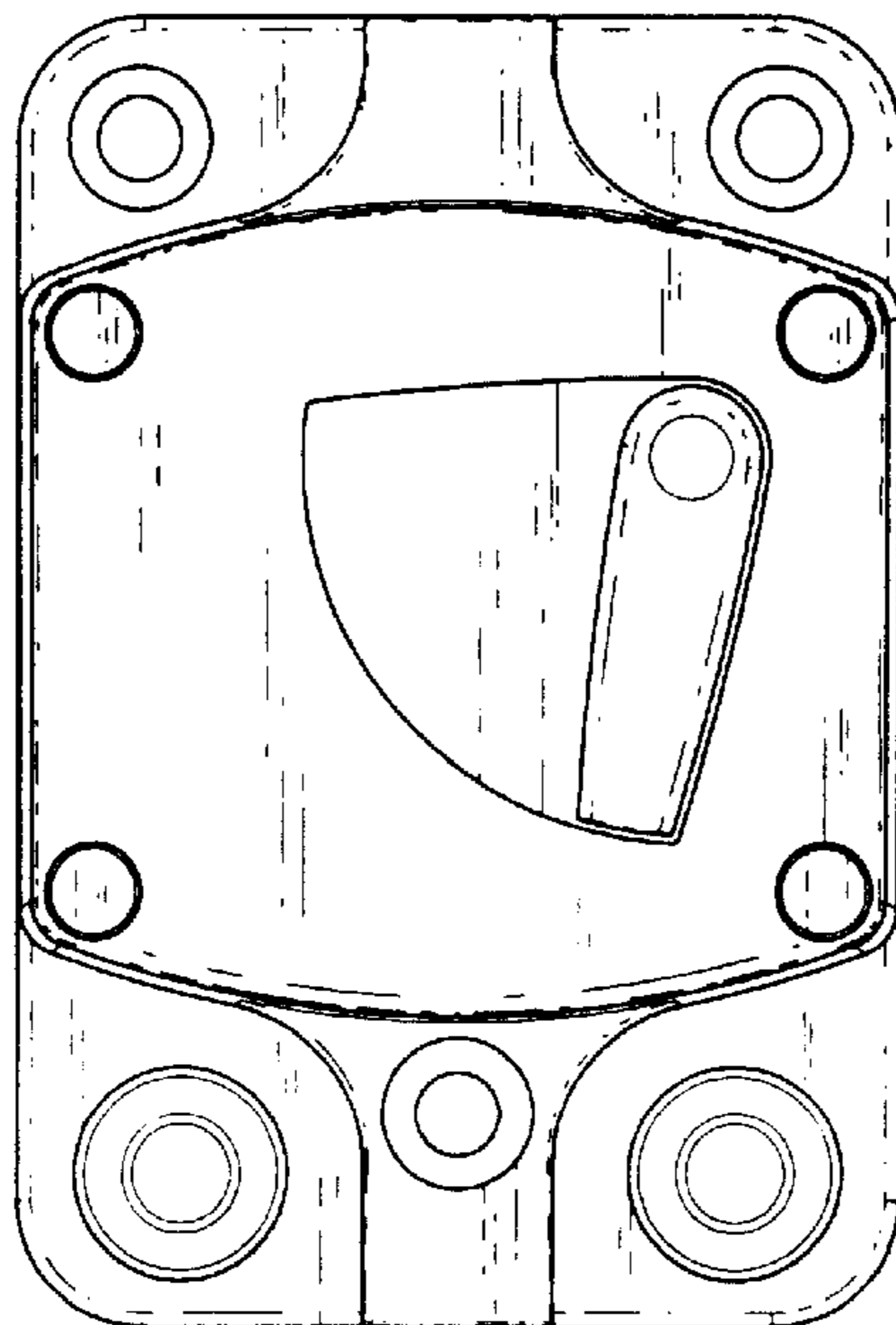


Fig. 2

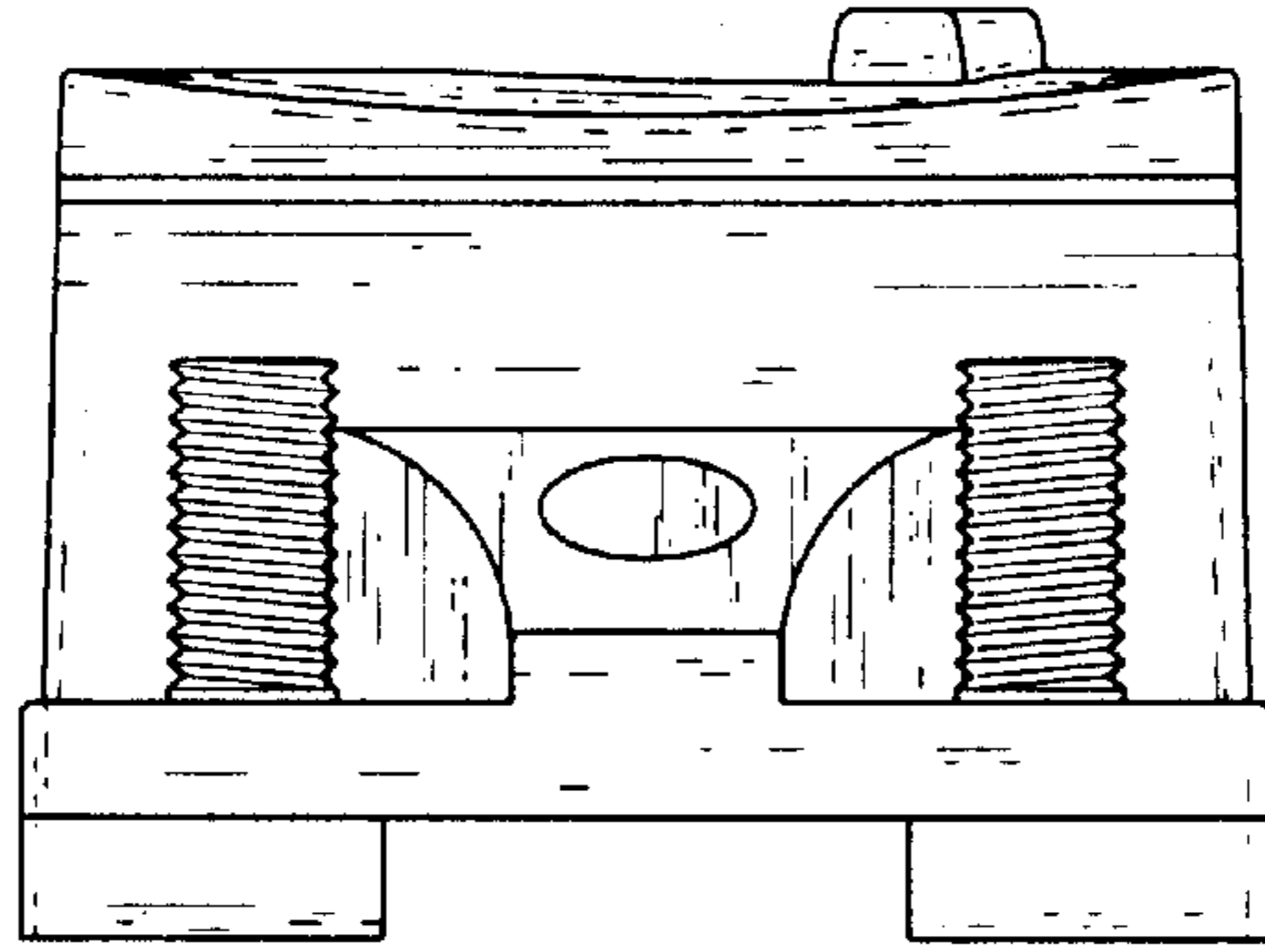


Fig. 3

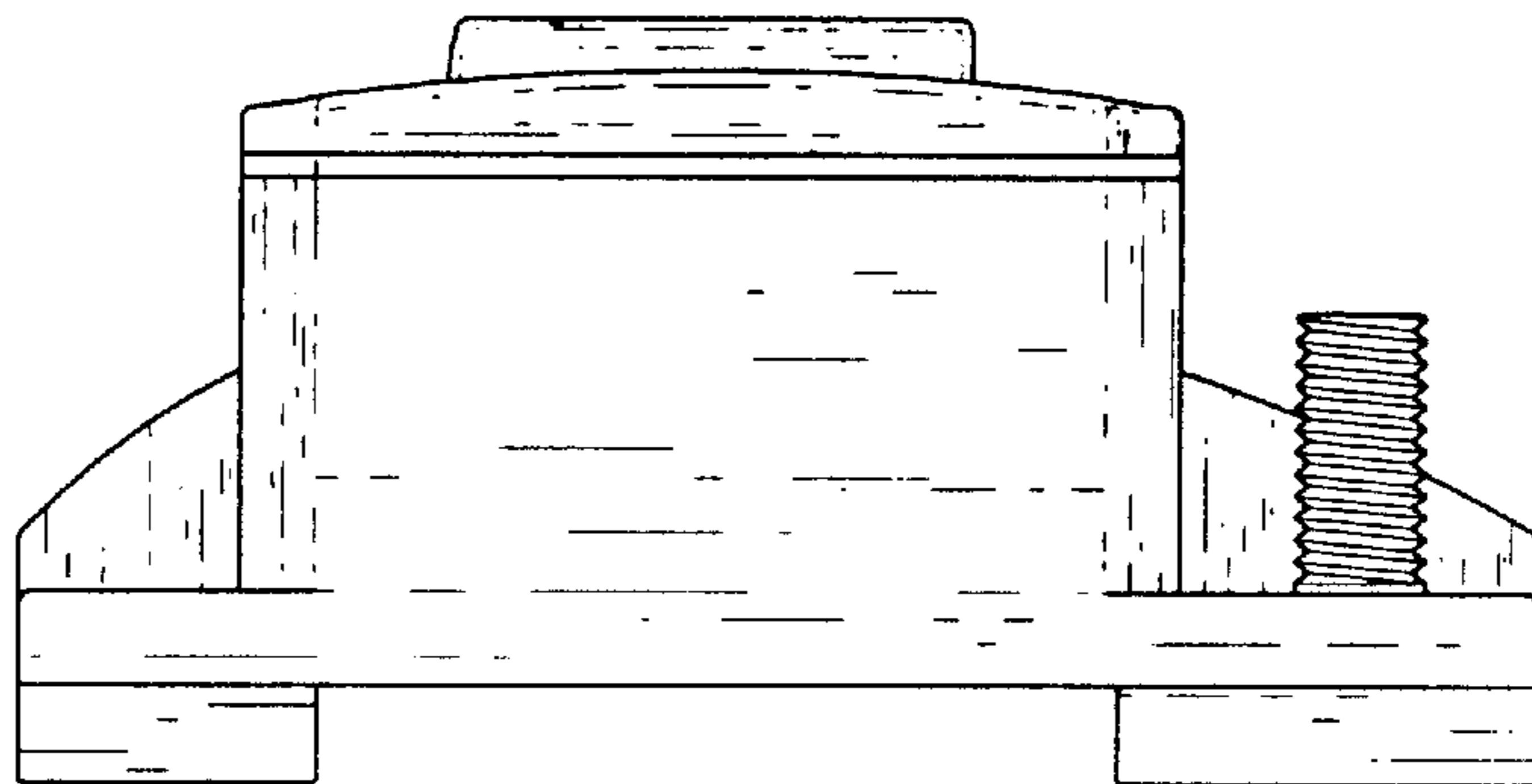


Fig. 4

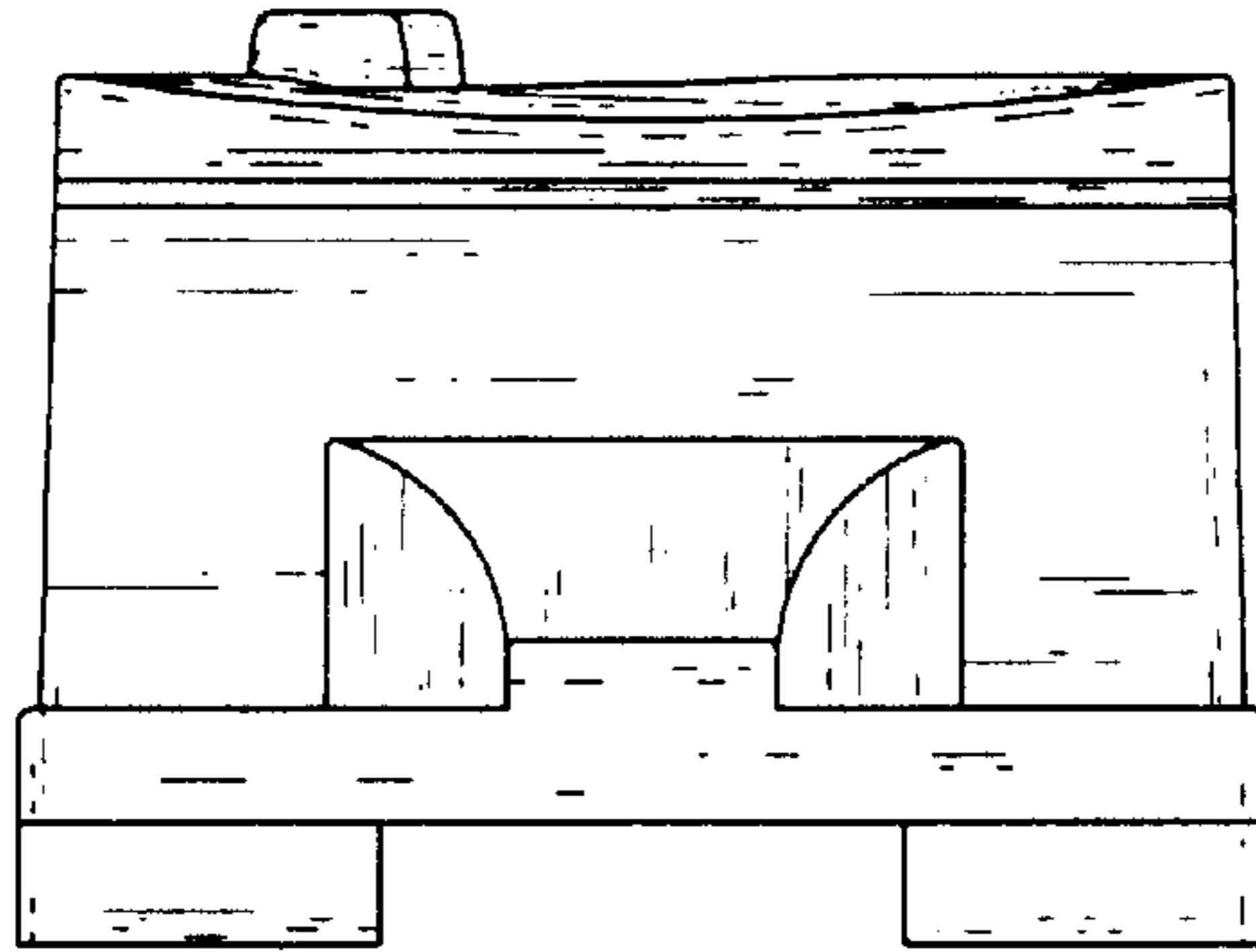


Fig. 5

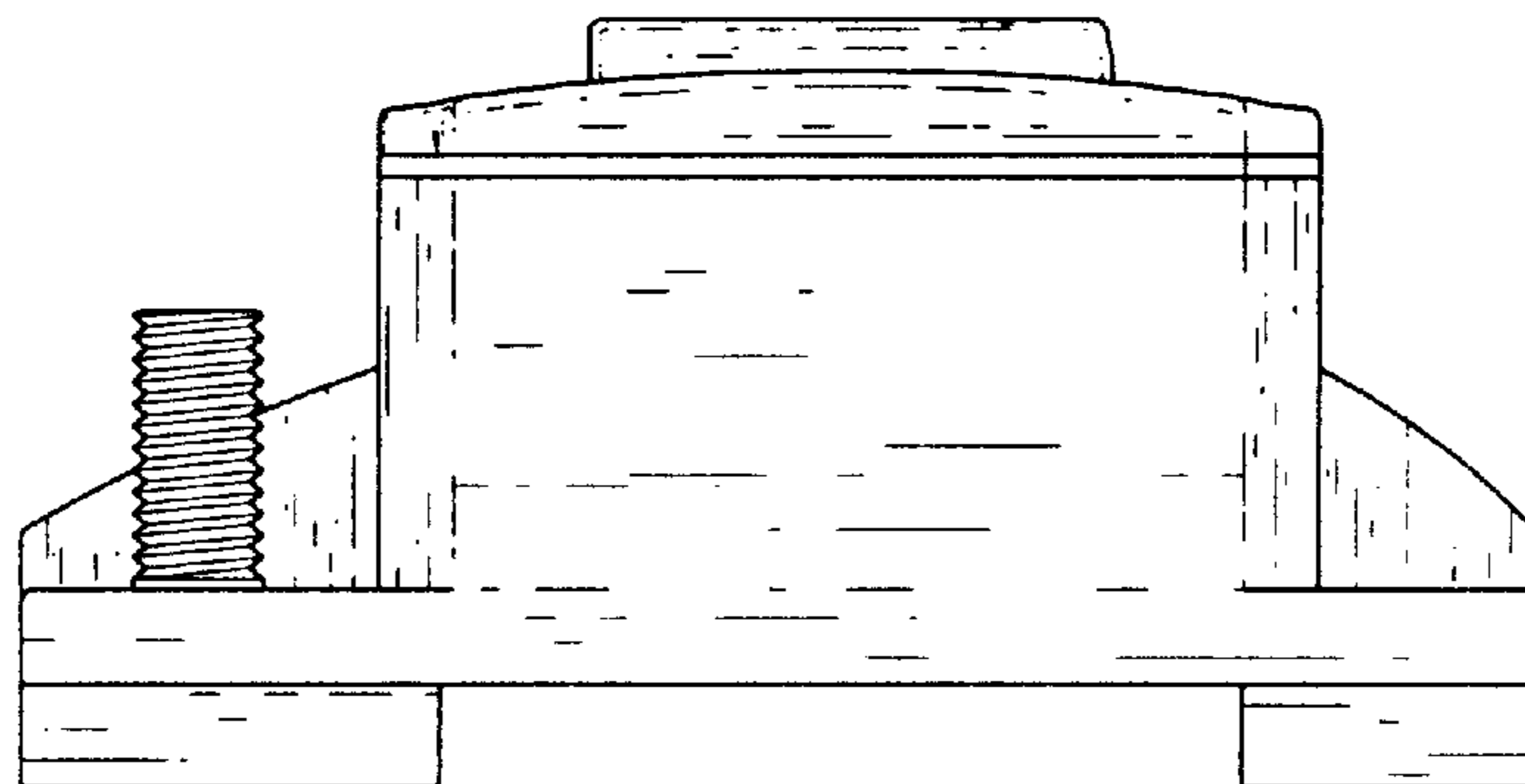


Fig. 6

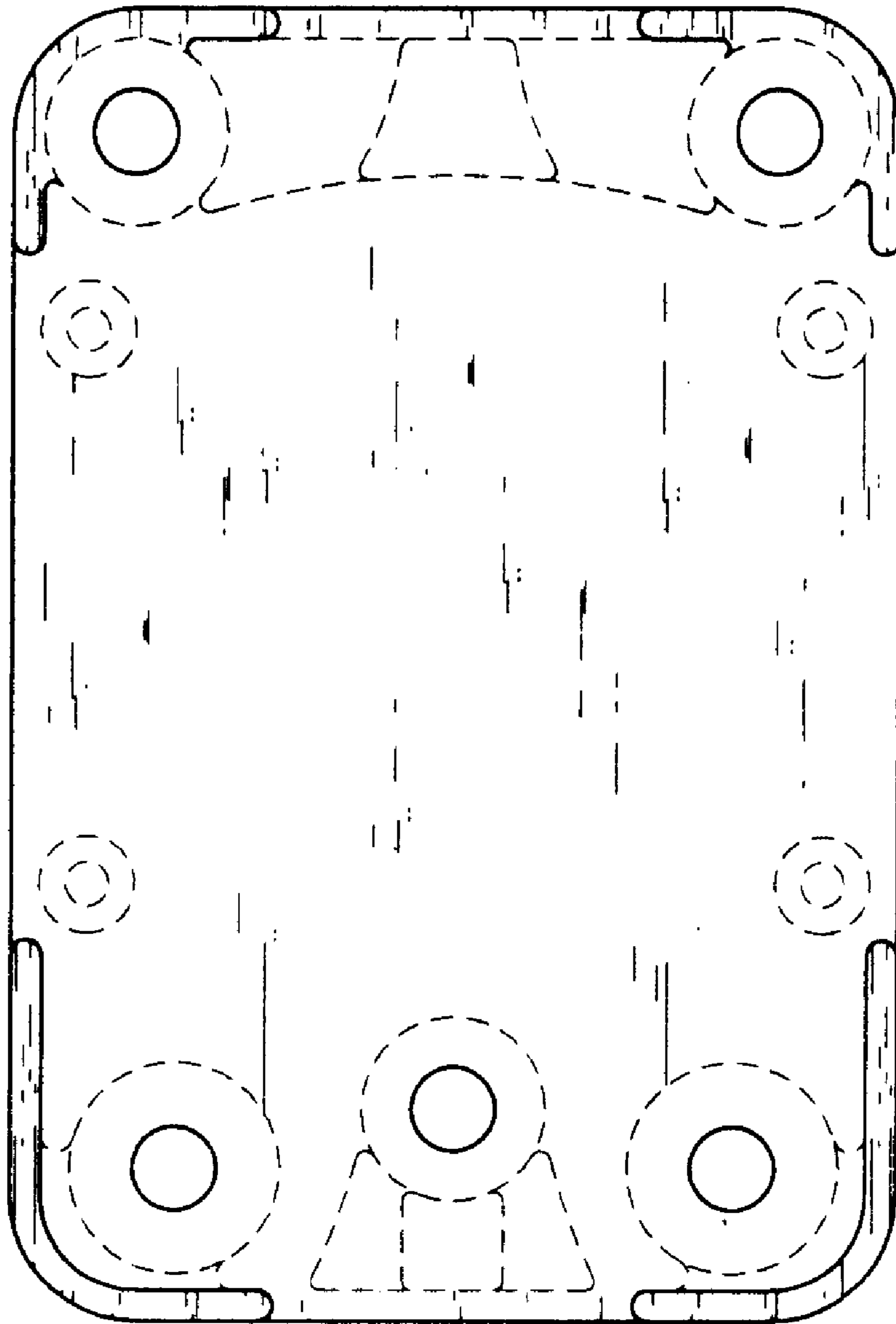


Fig. 7

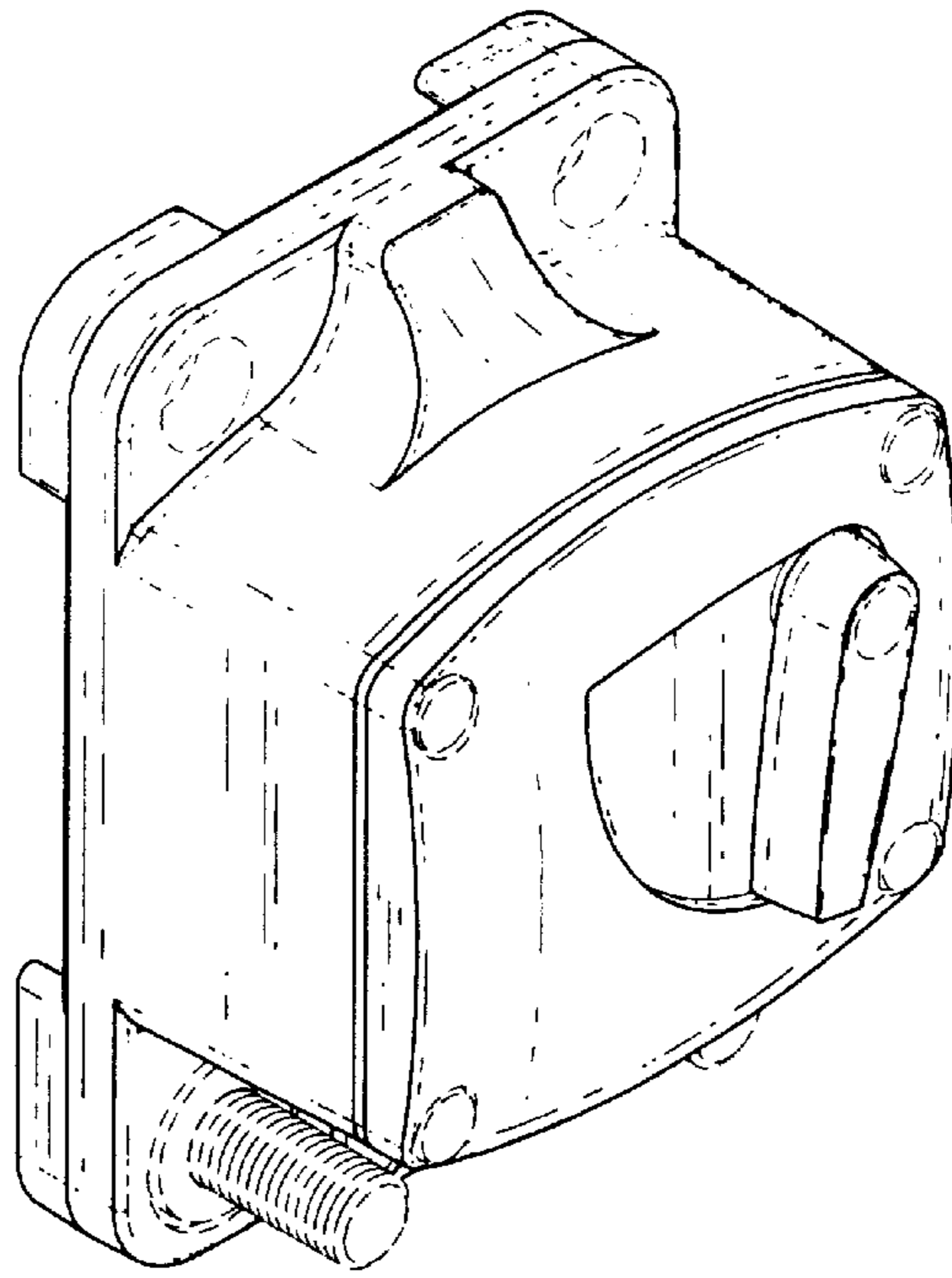


Fig. 8

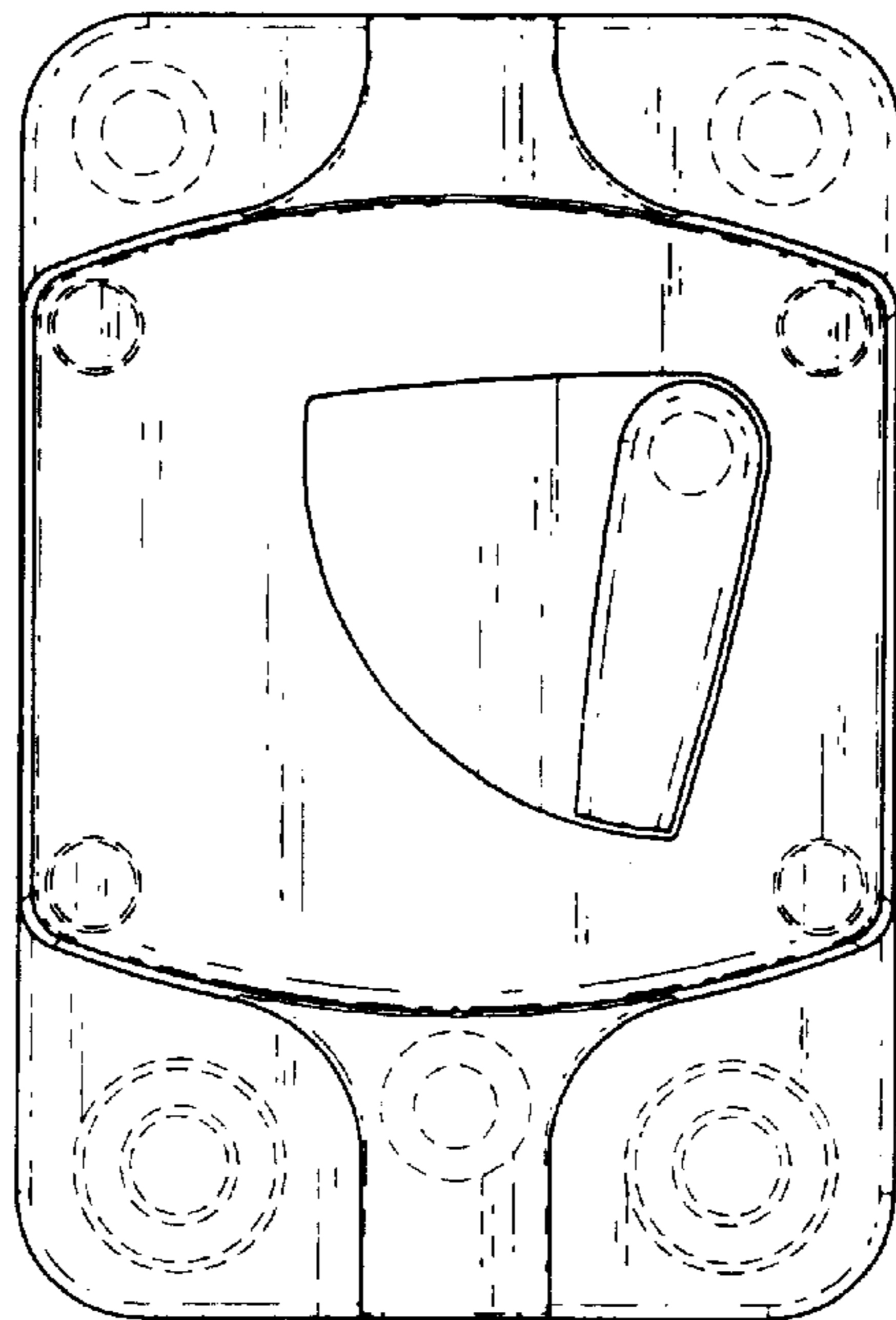


Fig. 9

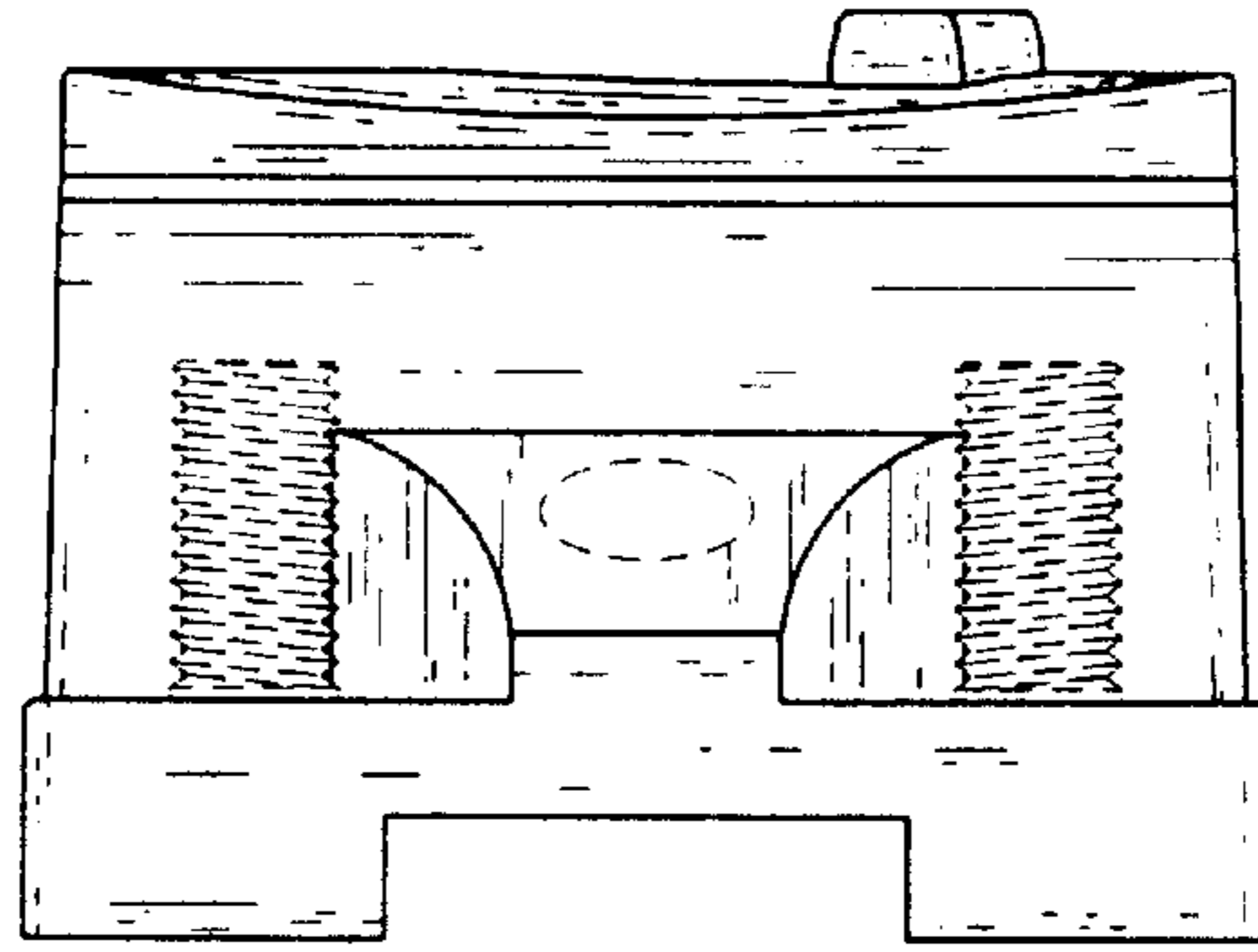


Fig. 10

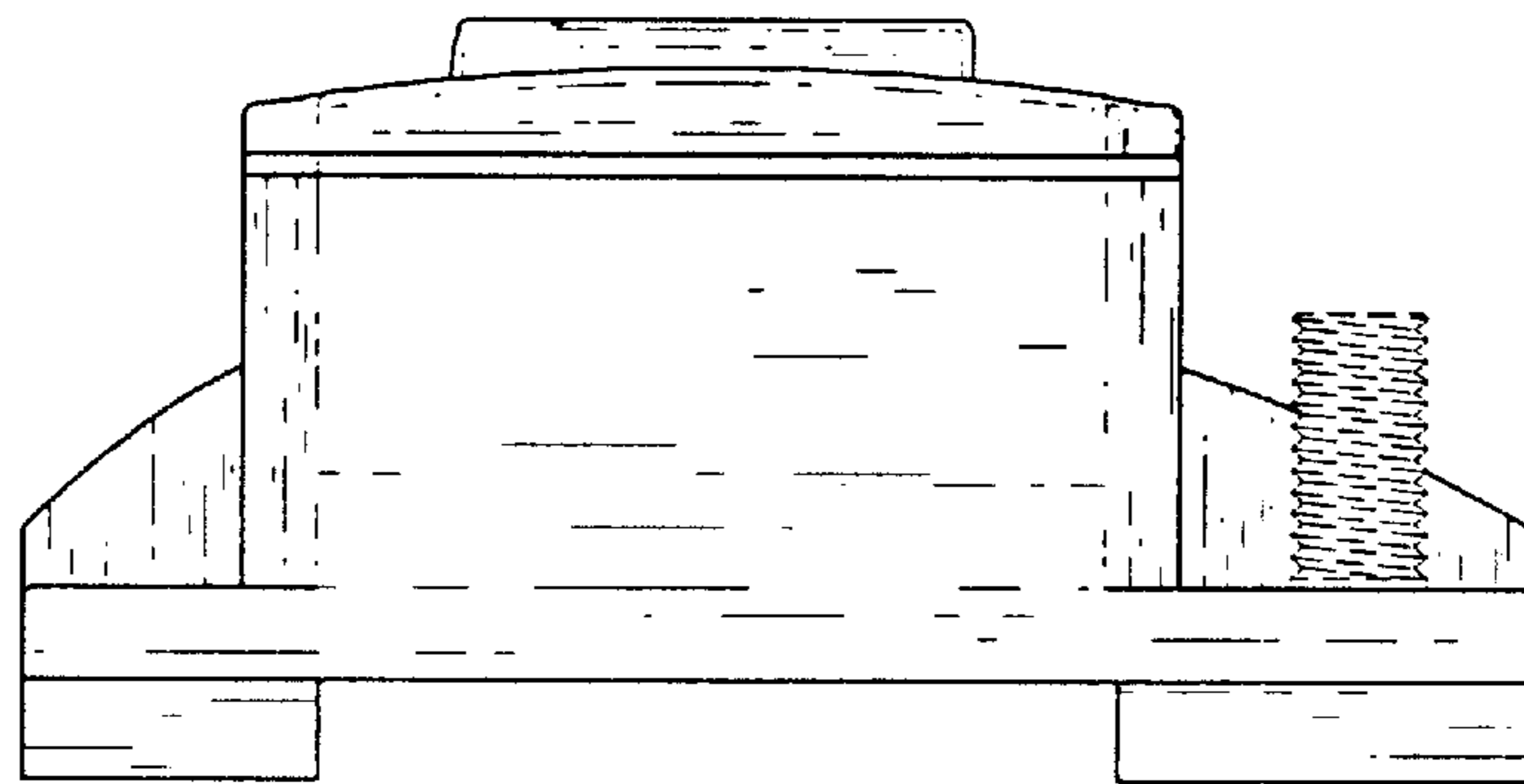


Fig. 11

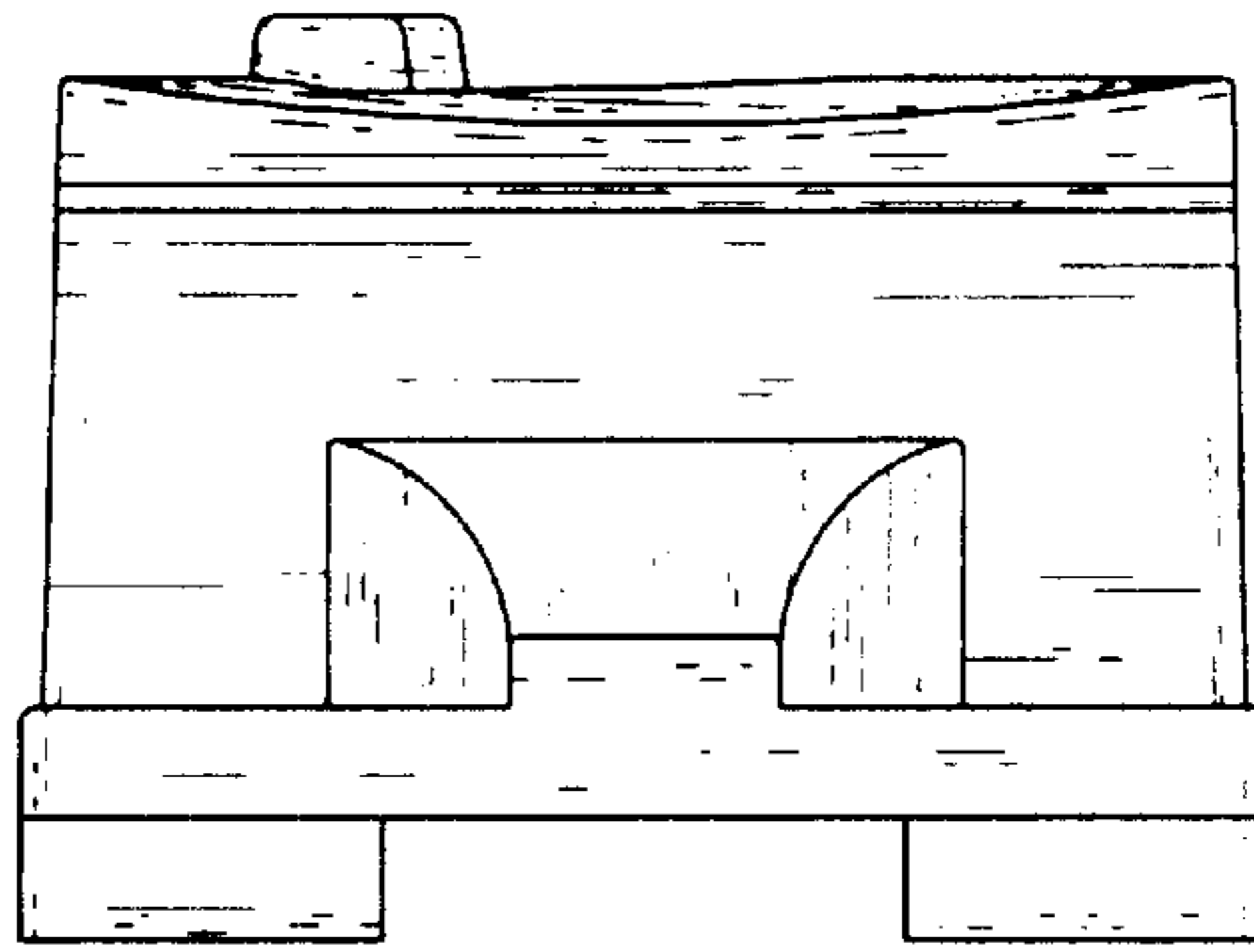


Fig. 12

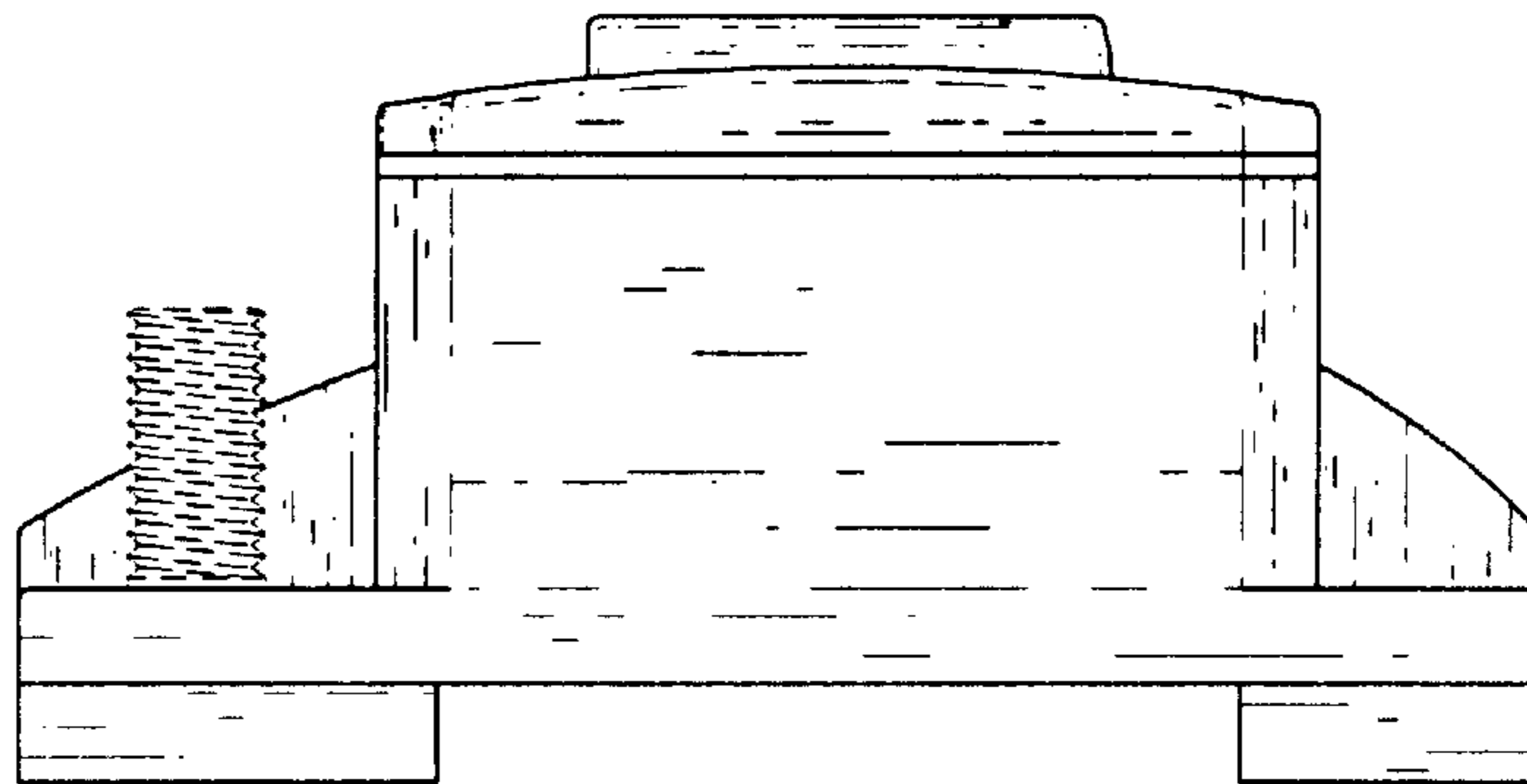


Fig. 13

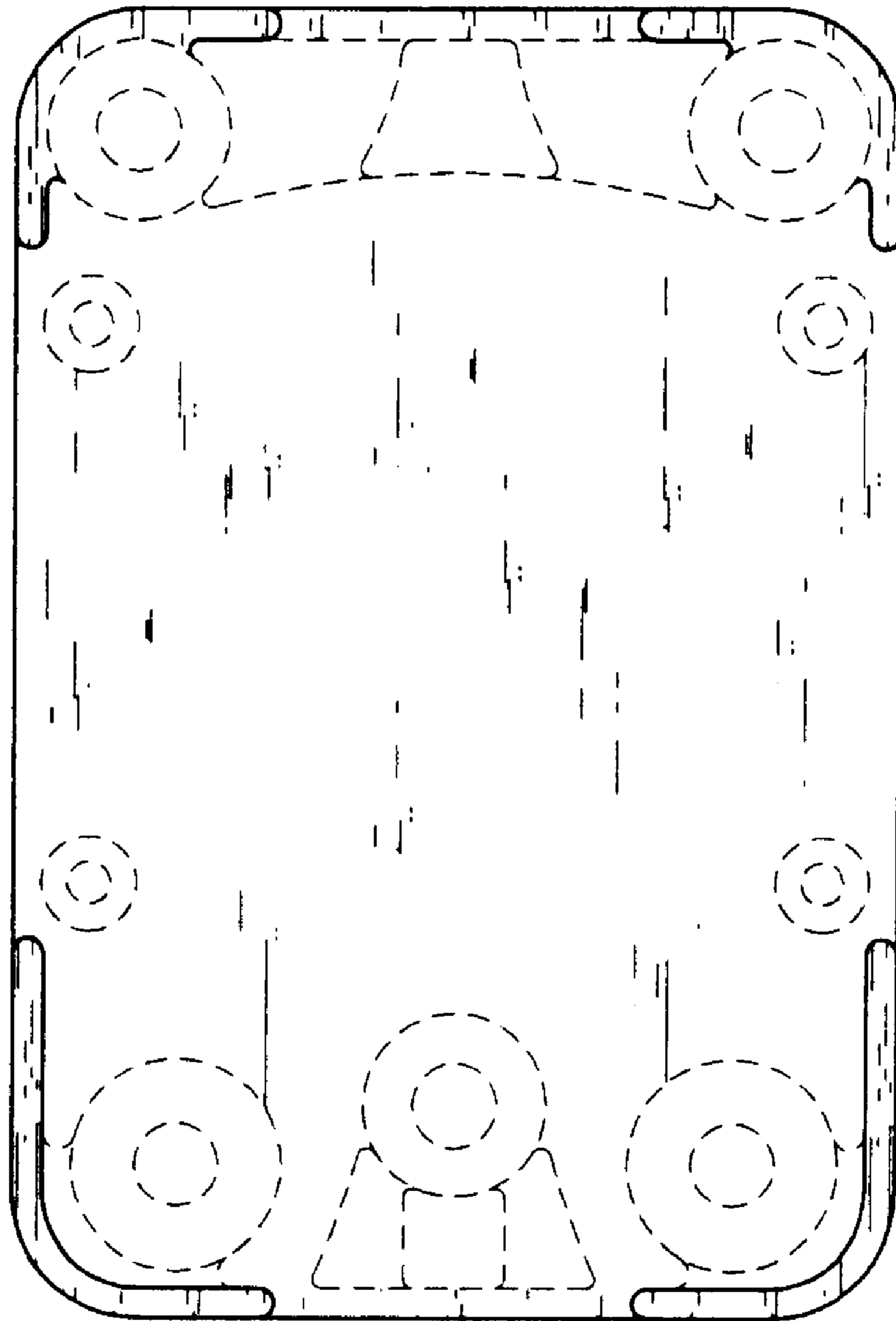


Fig. 14