



US00D467879S

(12) **United States Design Patent** (10) **Patent No.:** **US D467,879 S**
Lee (45) **Date of Patent:** **** Dec. 31, 2002**

(54) **CABLE MANAGER**
(75) Inventor: **Kendrew Lee**, Fremont, CA (US)
(73) Assignee: **Monster Cable Products, Inc.**,
Brisbane, CA (US)
(**) Term: **14 Years**

Primary Examiner—Joel Sincavage
(74) *Attorney, Agent, or Firm*—LaRiviere, Grubman & Payne, LLP

(57) **CLAIM**

The ornamental design for a cable manager, as shown and described.

(21) Appl. No.: **29/160,884**
(22) Filed: **May 17, 2002**
(51) **LOC (7) Cl.** **13-03**
(52) **U.S. Cl.** **D13/154**
(58) **Field of Search** D13/133, 146,
D13/147, 154; 174/72 A; 248/68.1

DESCRIPTION

A portion of the disclosure of this design patent document contains material to which a claim of copyright protection is made. The copyright owner has no objection to the facsimile reproduction of the patent document or the patent disclosure as it appears in the U.S. Patent and Trademark office files or records, but reserves all other copyright rights.

FIG. 1 is a perspective view of a cable manager, in accordance with the present invention.
FIG. 2 is another perspective view thereof.
FIG. 3 is a top view thereof.
FIG. 4 is another top view thereof.
FIG. 5 is an underside view thereof.
FIG. 6 is a front view thereof.
FIG. 7 is a rear view thereof.
FIG. 8 is a side view thereof; and,
FIG. 9 is a corresponding side view thereof.
The broken lines showing the environment in the Figures are for illustrative purposes only and form no part of the claimed design.

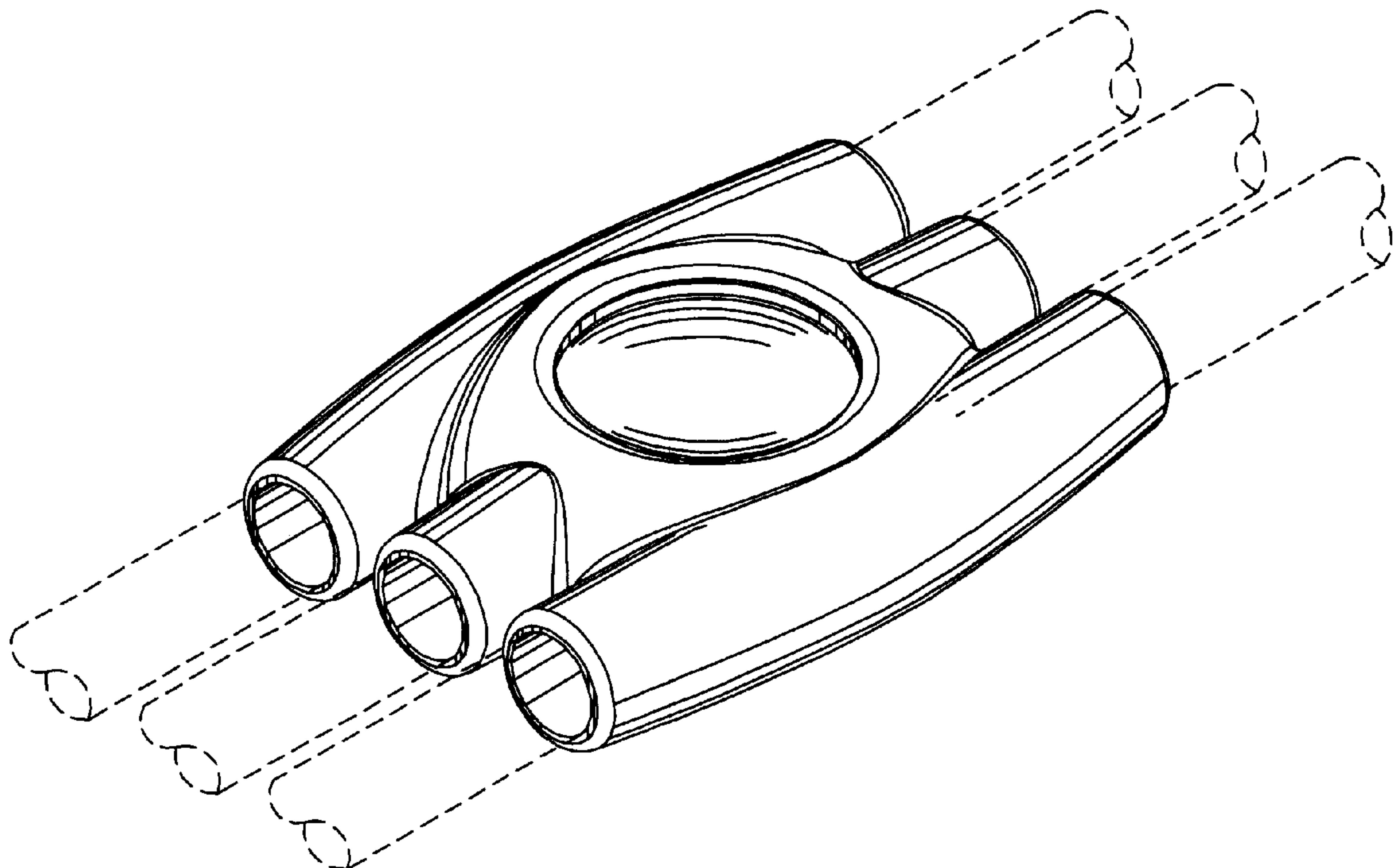
(56) **References Cited**

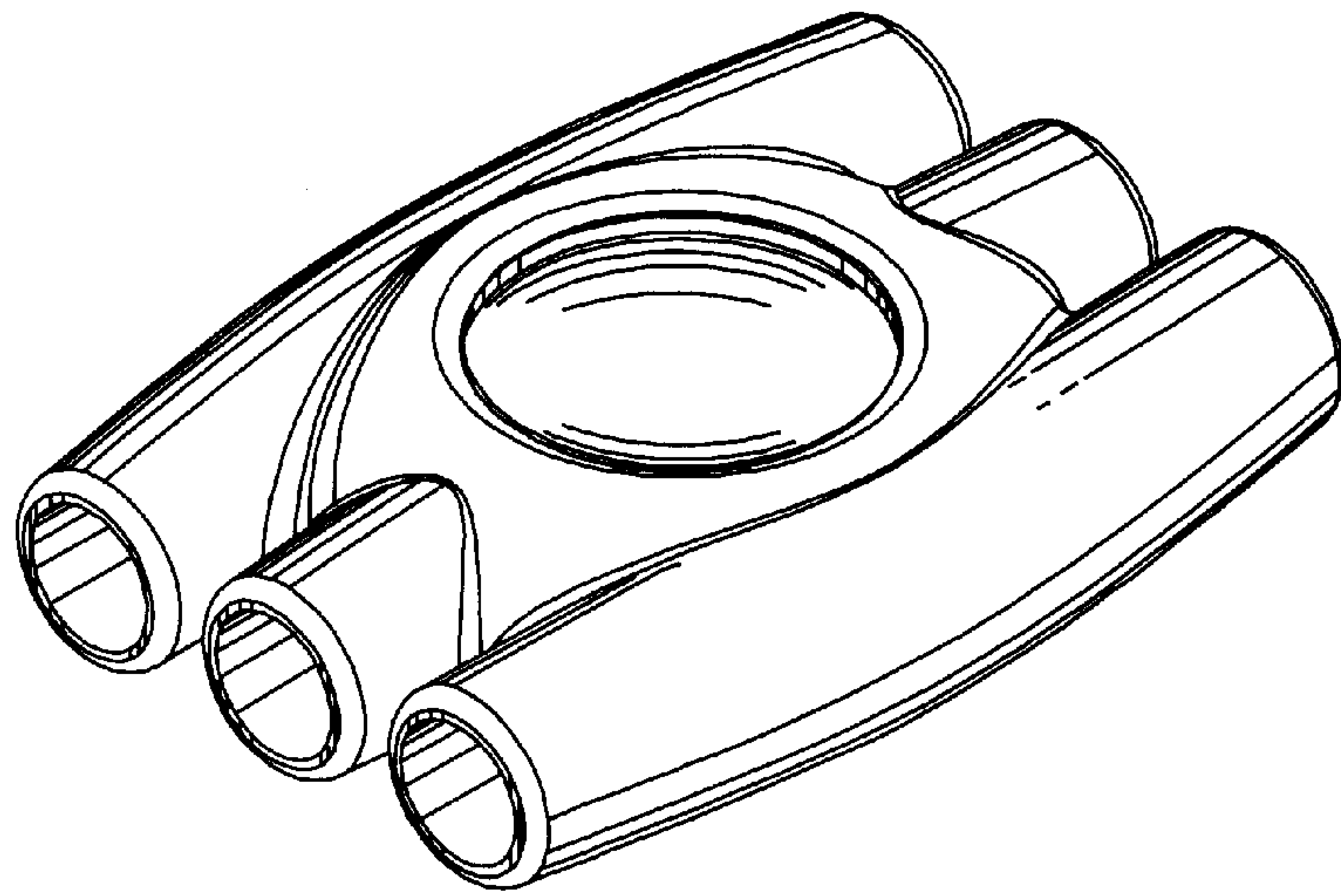
U.S. PATENT DOCUMENTS

D55,071 S	*	5/1920	Moffat	D13/132
4,874,908 A	*	10/1989	Johansson	248/68.1 X
D387,733 S	*	12/1997	Lee	D13/147
D392,942 S	*	3/1998	Lee	D13/147
5,726,388 A	*	3/1998	Ferland	174/72 C
5,792,986 A	*	8/1998	Lee	174/72 A
5,937,950 A	*	8/1999	Adams et al.	248/63
5,984,717 A	*	11/1999	Lee	439/501
D429,218 S	*	8/2000	Lee	D13/147
D447,120 S	*	8/2001	Lee	D13/146

* cited by examiner

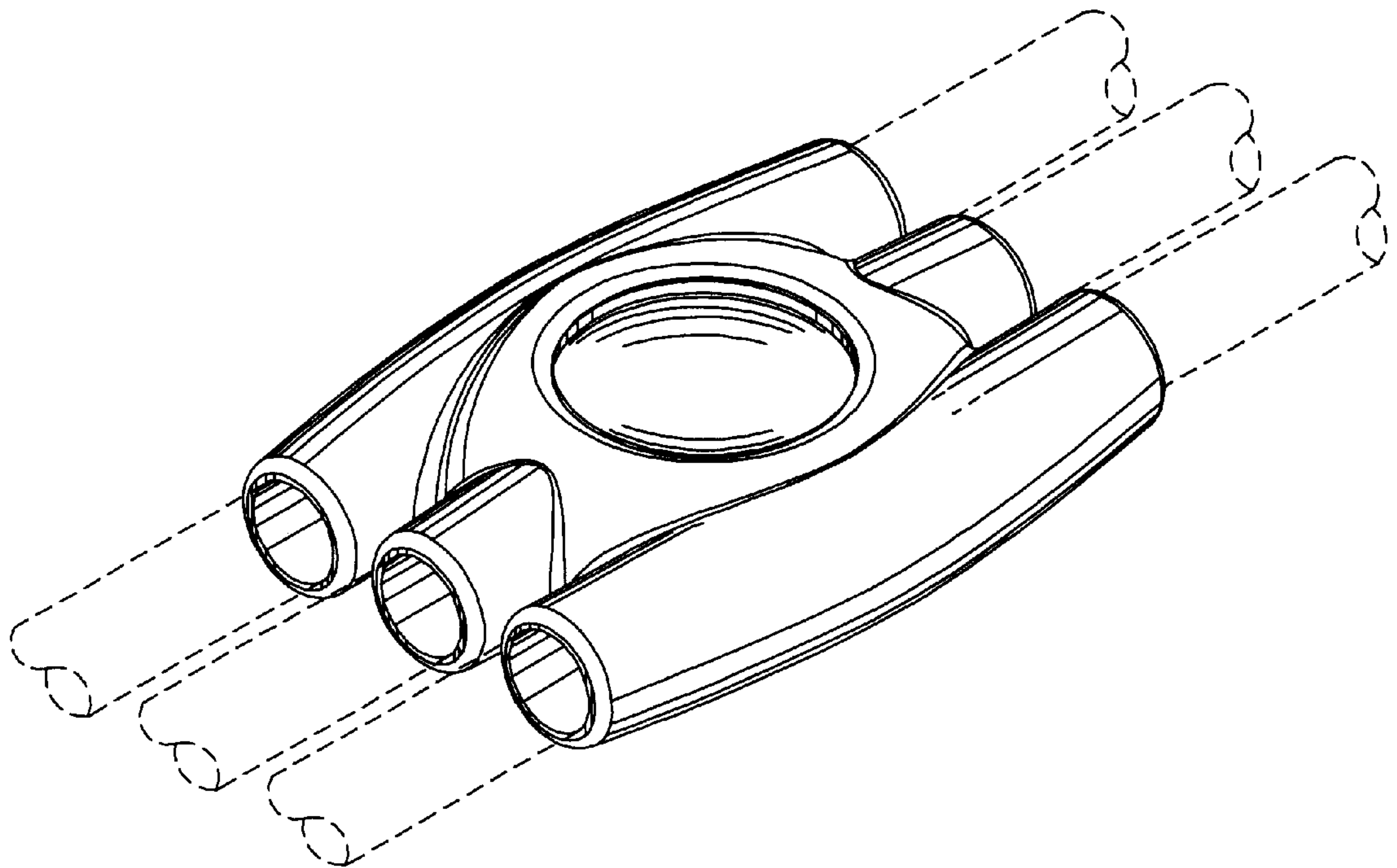
1 Claim, 3 Drawing Sheets





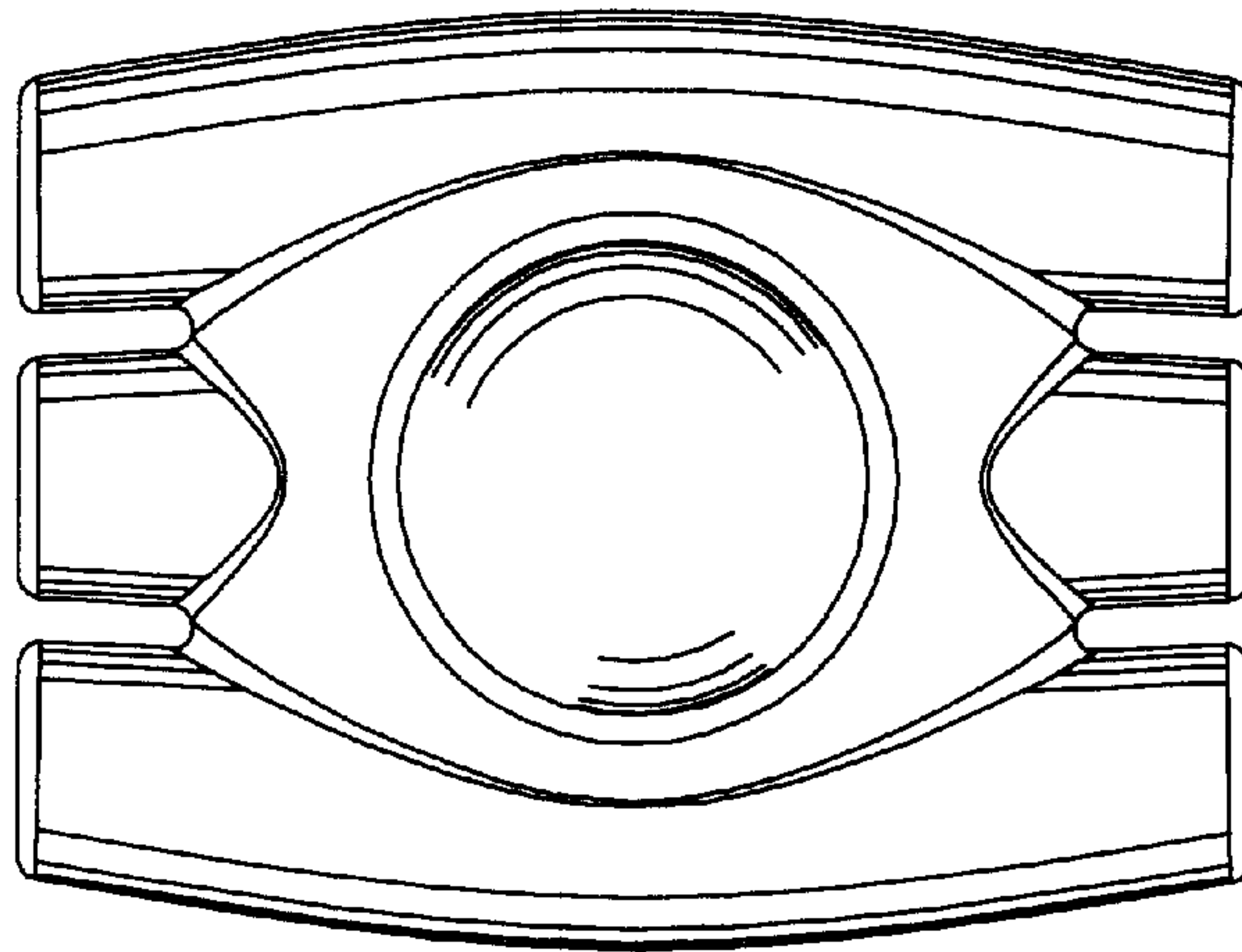
© 2002 MONSTER CABLE PRODUCTS, INC.

Figure 1



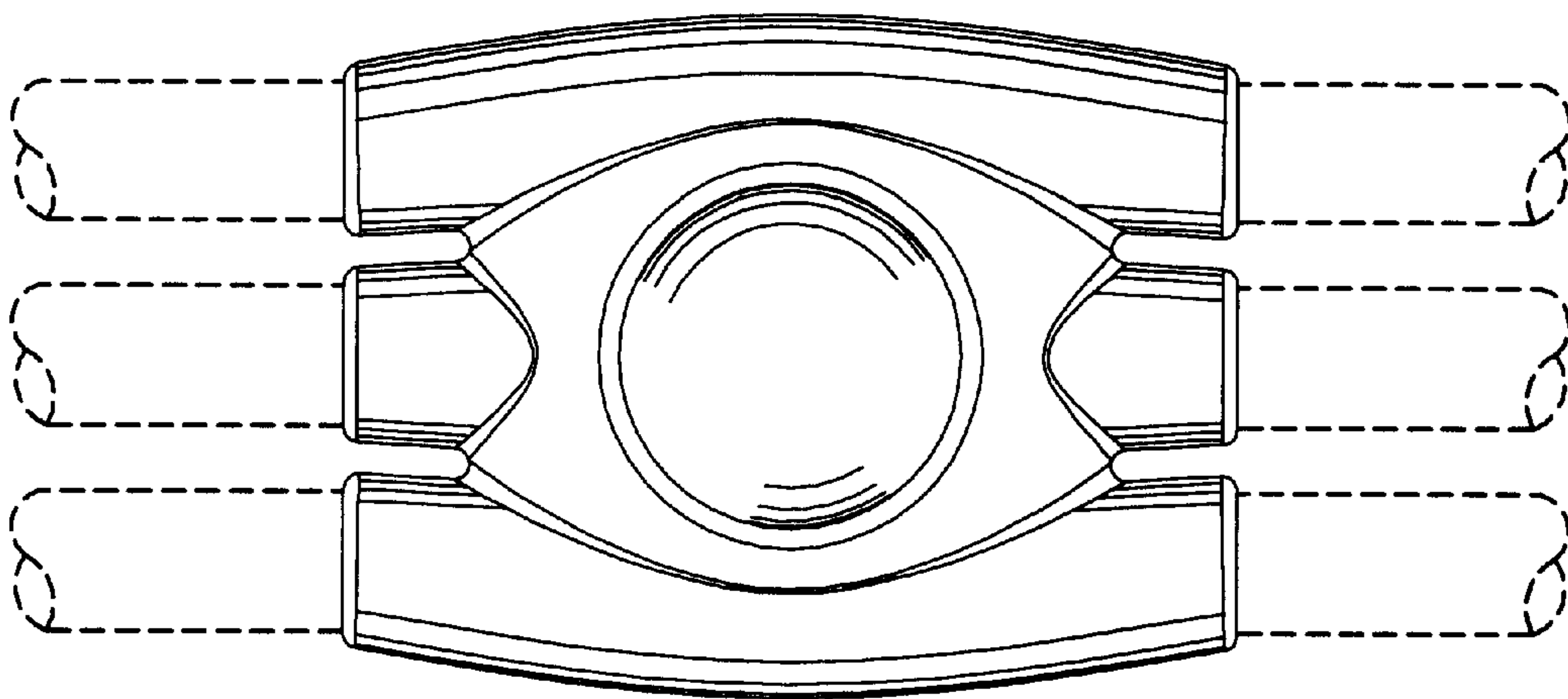
© 2002 MONSTER CABLE PRODUCTS, INC.

Figure 2



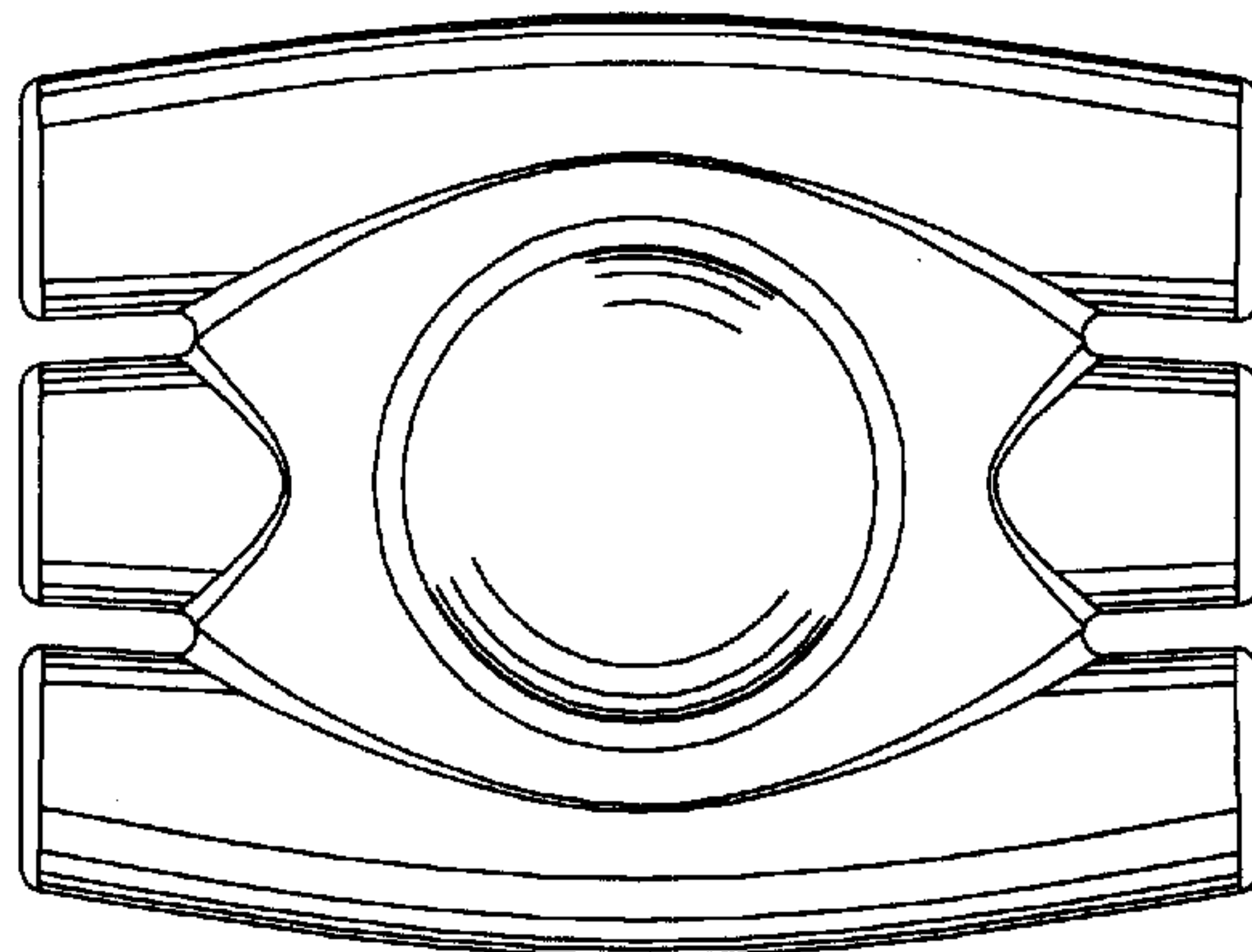
© 2002 MONSTER CABLE PRODUCTS, INC.

Figure 3



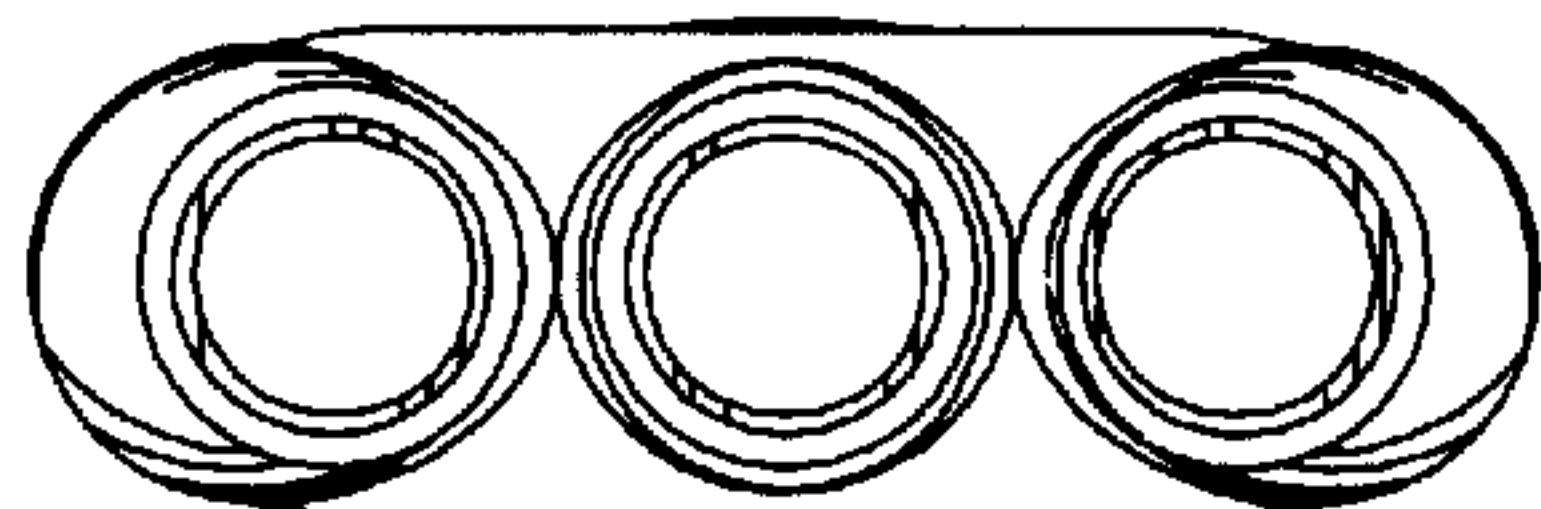
© 2002 MONSTER CABLE PRODUCTS, INC.

Figure 4



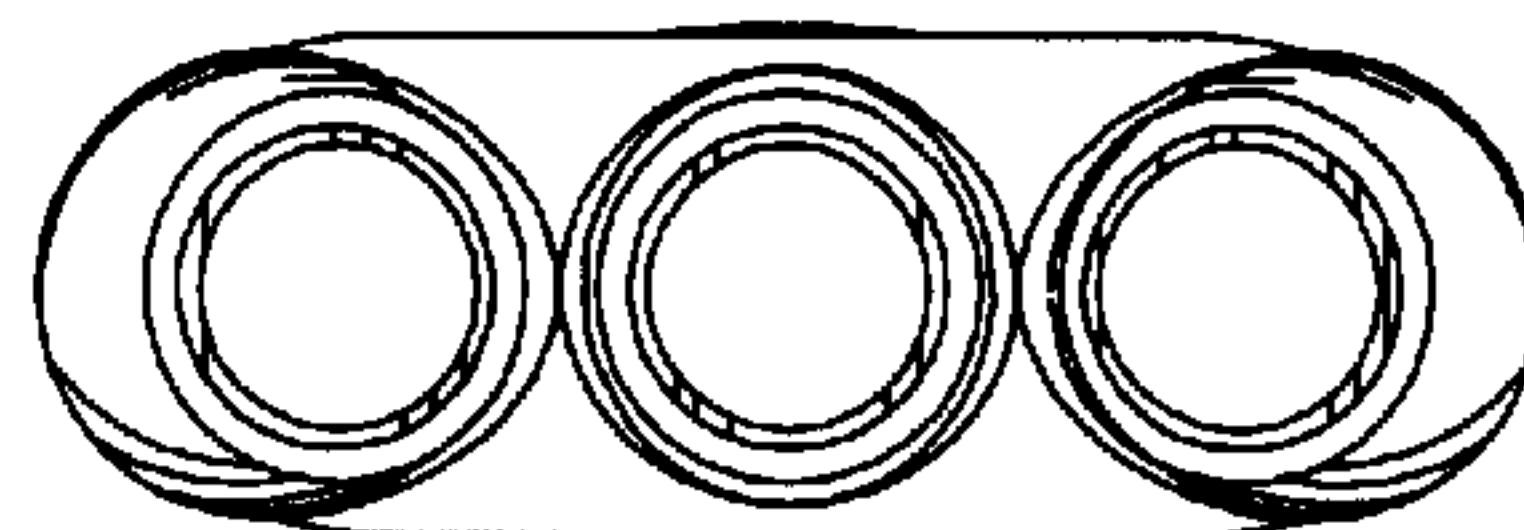
© 2002 MONSTER CABLE PRODUCTS, INC.

Figure 5



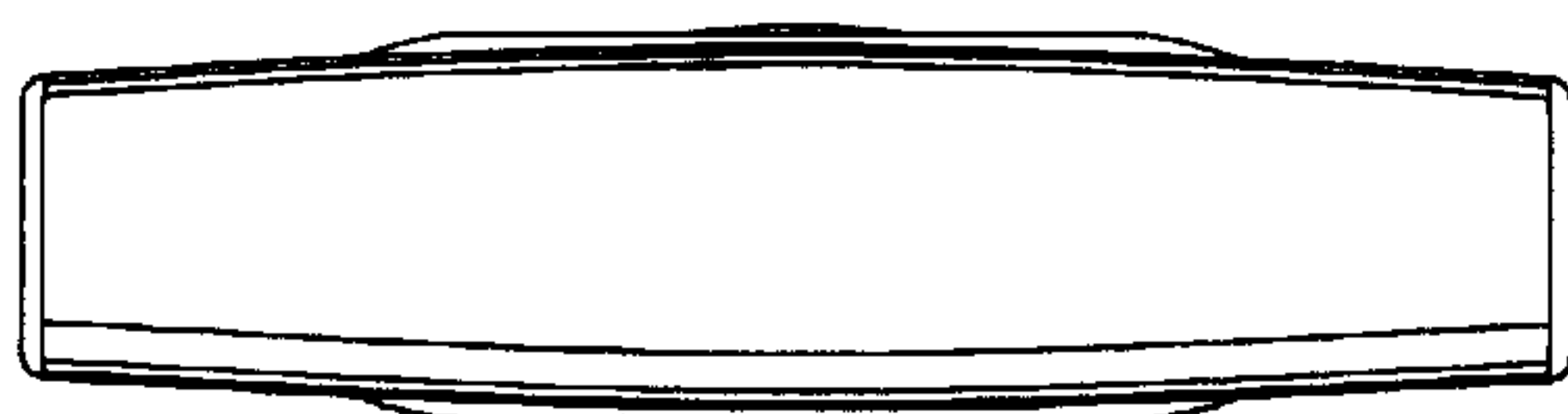
© 2002 MONSTER CABLE PRODUCTS, INC.

Figure 6



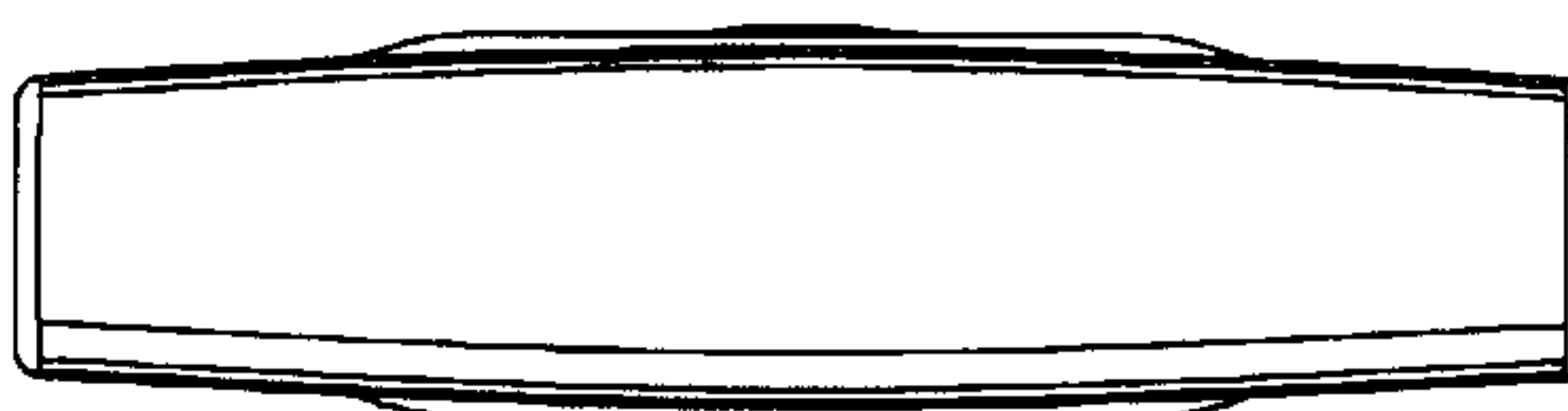
© 2002 MONSTER CABLE PRODUCTS, INC.

Figure 7



© 2002 MONSTER CABLE PRODUCTS, INC.

Figure 8



© 2002 MONSTER CABLE PRODUCTS, INC.

Figure 9