



US00D467878S

(12) **United States Design Patent**  
**Bryndzia**

(10) **Patent No.:** **US D467,878 S**

(45) **Date of Patent:** **\*\* Dec. 31, 2002**

(54) **ELECTRICAL CONNECTOR ANGLE ADAPTOR**

(75) **Inventor:** **Michael R. Bryndzia**, Baldwinsville, NY (US)

(73) **Assignee:** **Pass & Seymour, Inc.**, Syracuse, NY (US)

(\*\*) **Term:** **14 Years**

(21) **Appl. No.:** **29/154,945**

(22) **Filed:** **Feb. 1, 2002**

(51) **LOC (7) Cl.** ..... **13-03**

(52) **U.S. Cl.** ..... **D13/154**

(58) **Field of Search** ..... D13/123, 137.1-137.4, D13/138.1, 138.2, 139.1-139.8, 154, 156; 174/51, 59; 439/105, 272, 336, 354, 620, 835, 902

(56) **References Cited**

**U.S. PATENT DOCUMENTS**

2,000,318	A	*	5/1935	Cannon	.....	439/354
2,374,971	A	*	5/1945	Benander	.....	174/59
3,484,735	A	*	12/1969	Fanelli	.....	439/105
D260,146	S	*	8/1981	Salazar	.....	D13/152
4,588,248	A	*	5/1986	Moore	.....	439/272
4,846,701	A	*	7/1989	Hayes et al.	.....	439/620
D324,853	S	*	3/1992	Johnson	.....	D13/155

D385,253	S	*	10/1997	Spriester et al.	.....	D13/123
5,911,595	A	*	6/1999	Orr, Jr. et al.	.....	439/471
5,921,794	A	*	7/1999	Koch	.....	439/188
5,982,253	A	*	11/1999	Perrin et al.	.....	439/620

**OTHER PUBLICATIONS**

Pass & Seymour 20/30A 3 Wire Turnlok(C) Right Angle Adapter Cat. No. L203103-AN. www.passandseymour.com. Copyright 1998, 1999 [cited in Netscape Communicator 4.75 page source information].\*

\* cited by examiner

*Primary Examiner*—Robert M. Spear

(74) *Attorney, Agent, or Firm*—Wall Marjama & Bilinski LLP

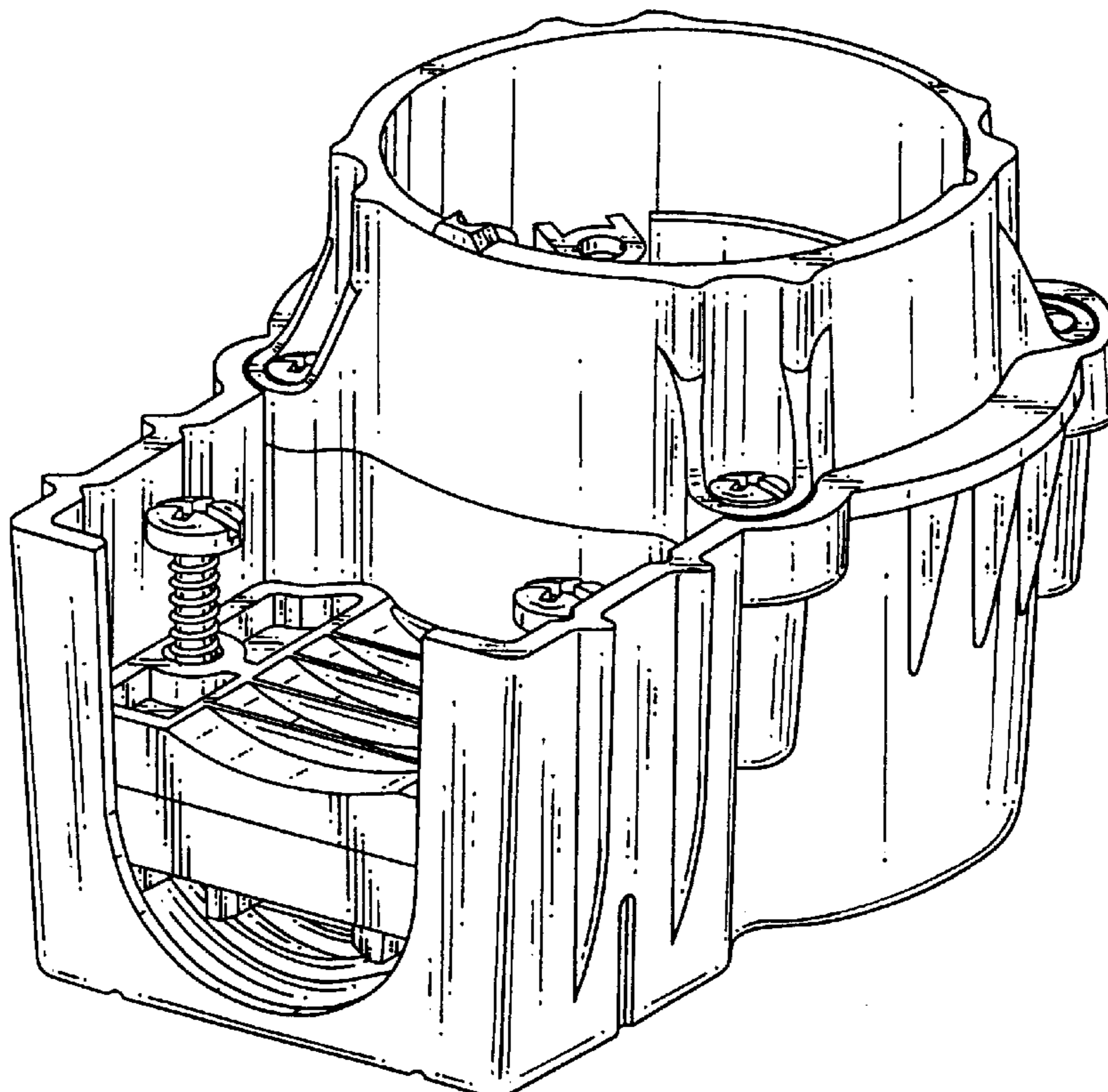
(57) **CLAIM**

The ornamental design for an electrical connector angle adaptor, as shown and described.

**DESCRIPTION**

FIG. 1 is a perspective view illustrating my new Design; FIG. 2 is a top view thereof; FIG. 3 is a right side view thereof; FIG. 4 is a left side view thereof; FIG. 5 is a rear view thereof; FIG. 6 is a front view thereof; and, FIG. 7 is a bottom view thereof.

**1 Claim, 3 Drawing Sheets**



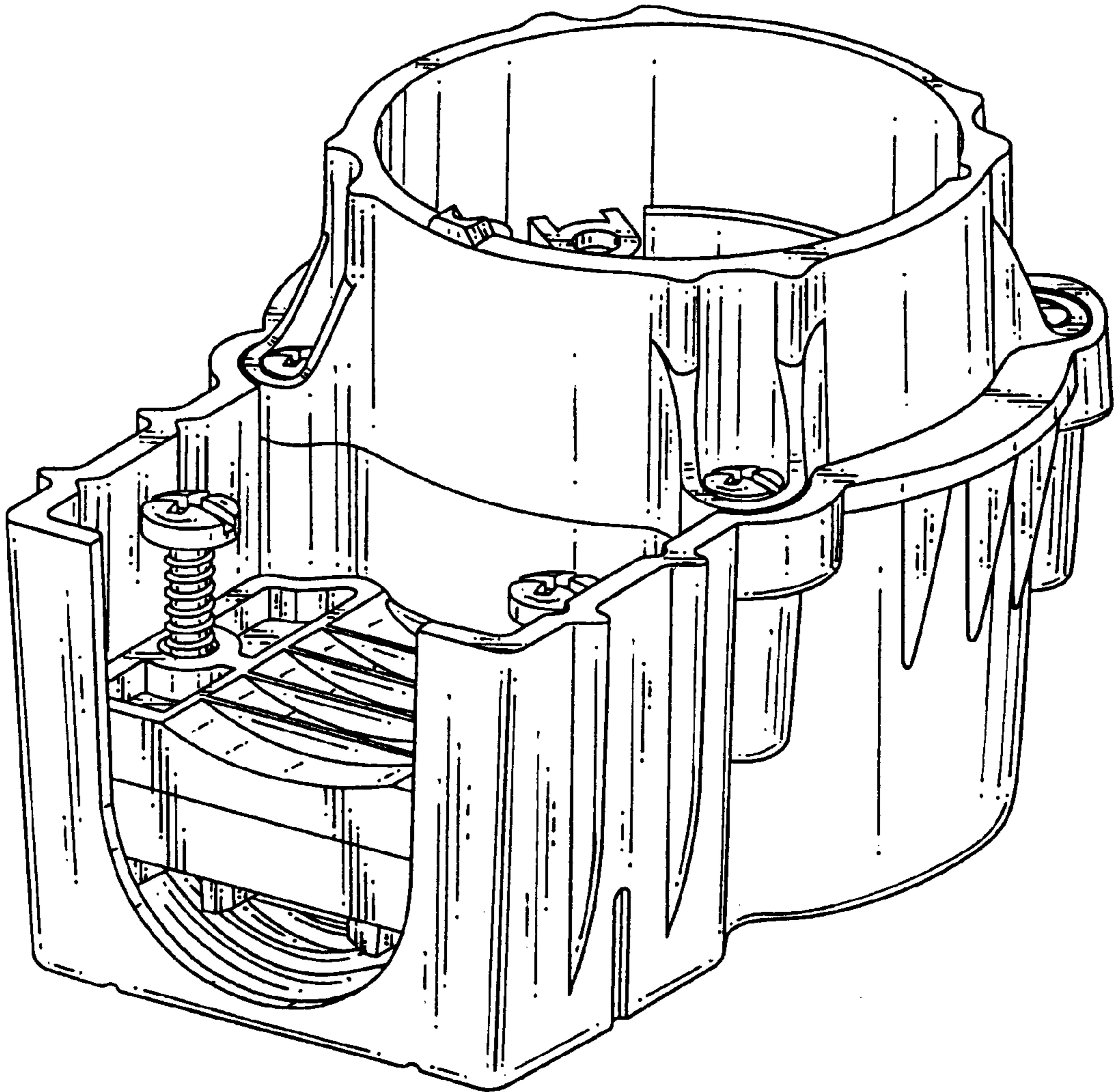


FIG. 1

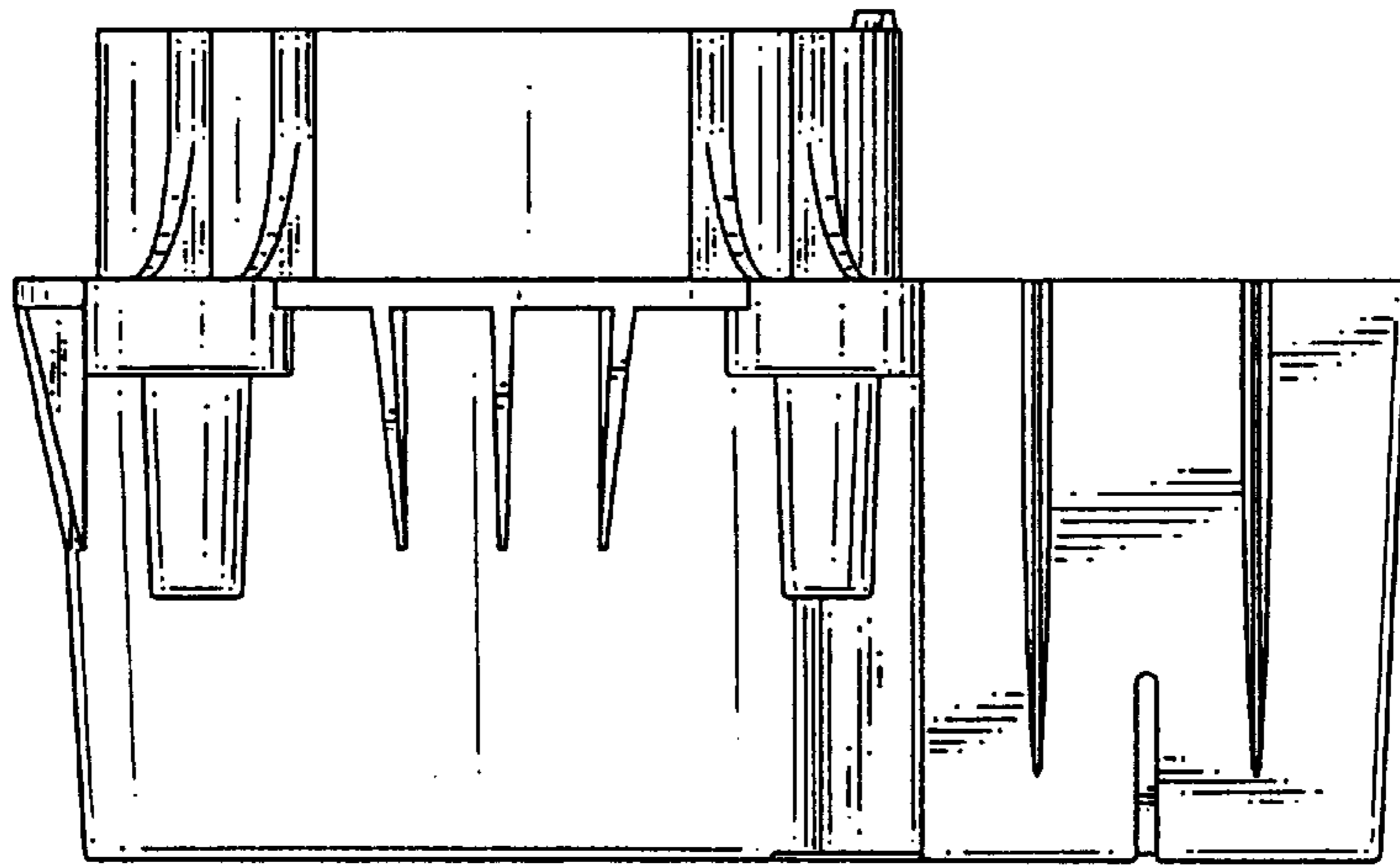


FIG. 4

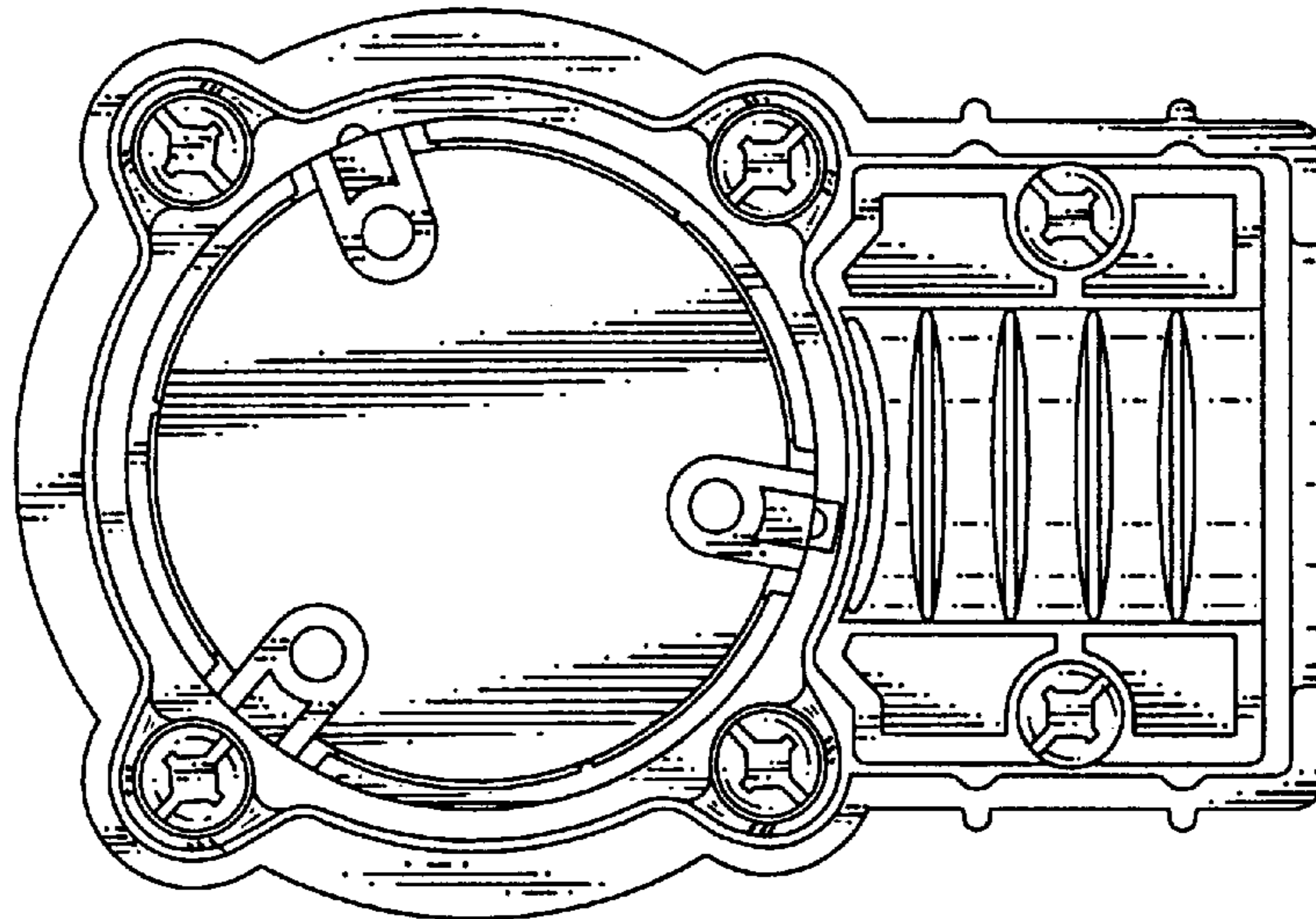


FIG. 2

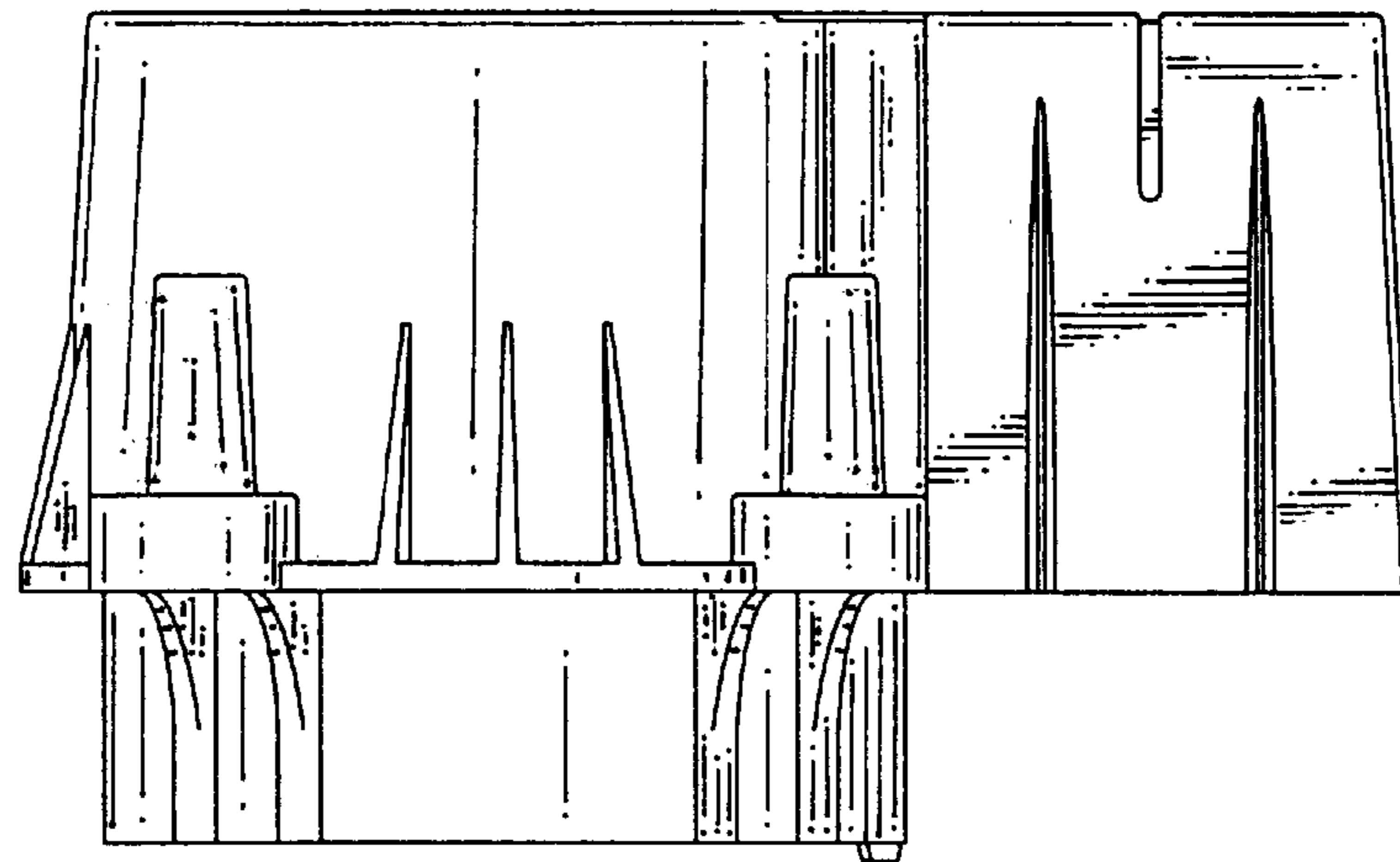


FIG. 3

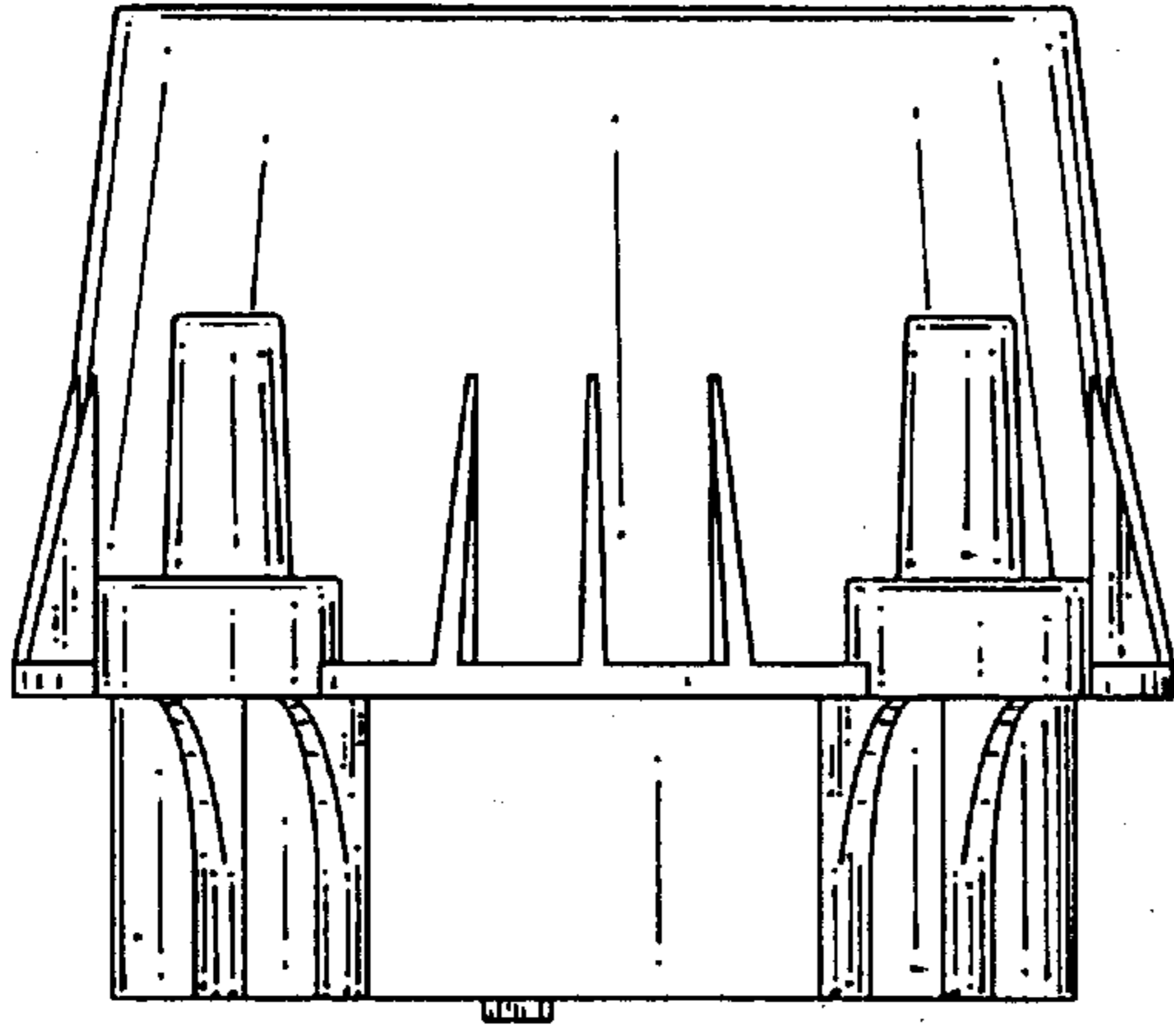


FIG. 5

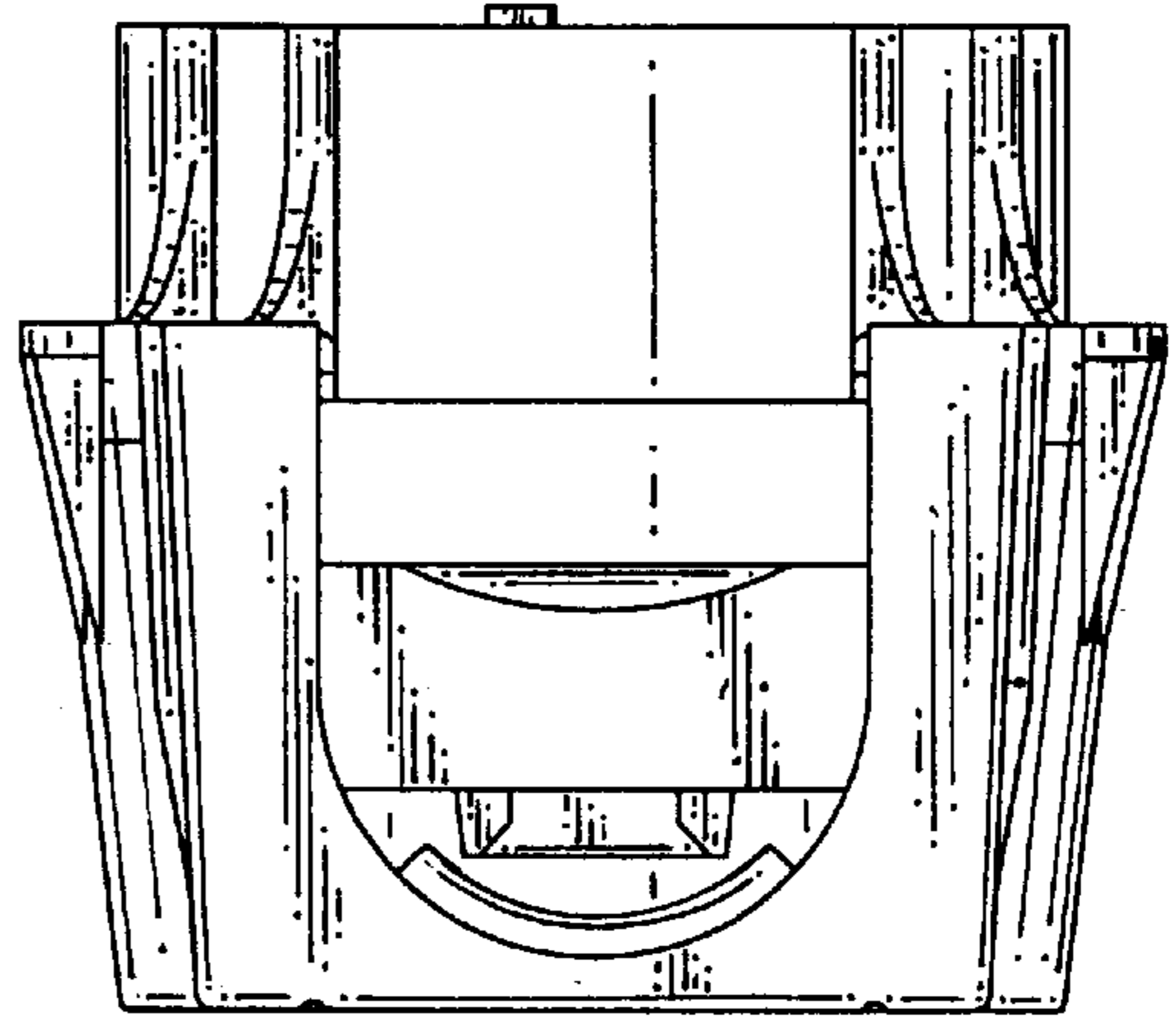


FIG. 6

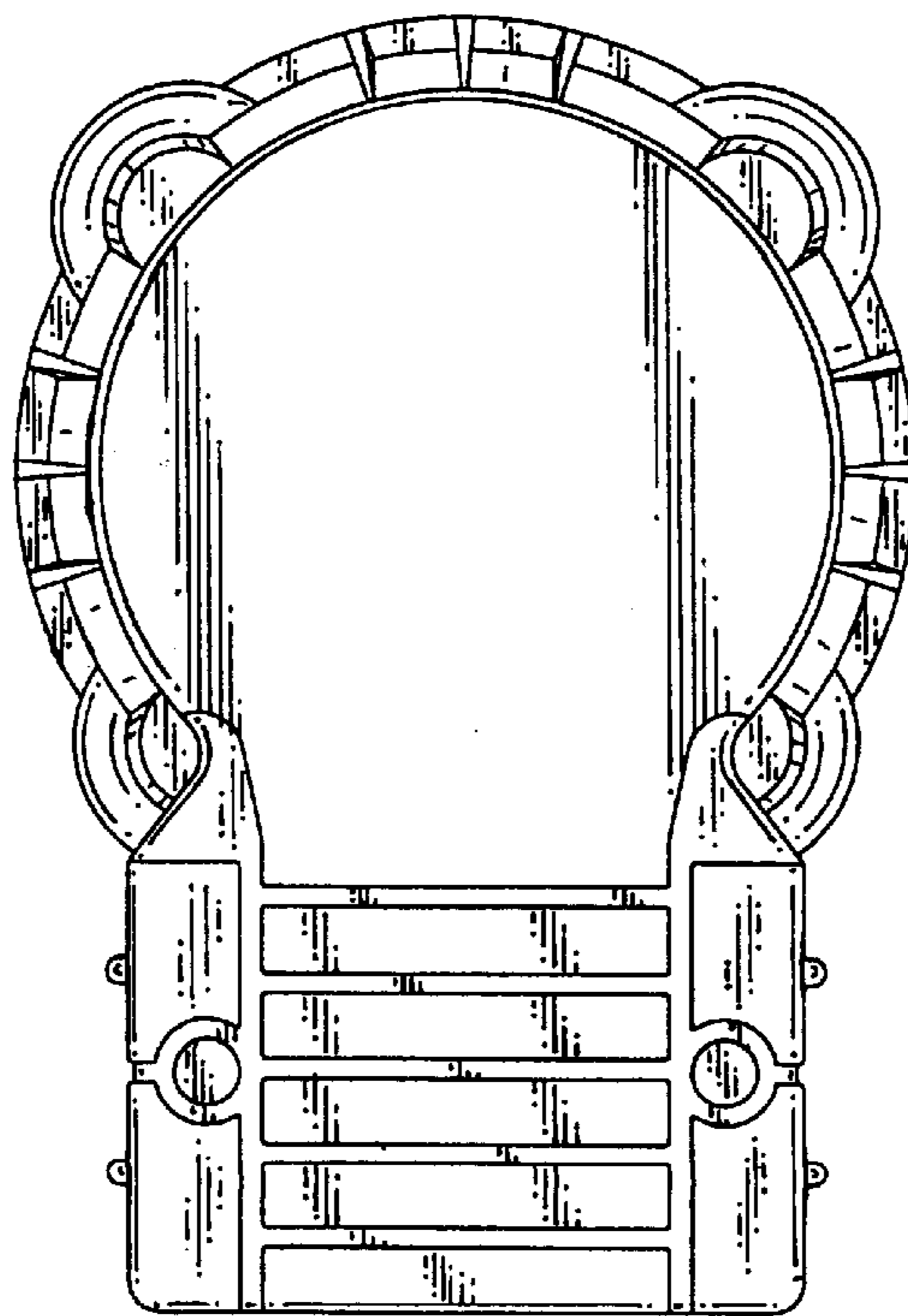


FIG. 7