



US00D467877S

(12) **United States Design Patent**
Mori et al.

(10) **Patent No.:** **US D467,877 S**

(45) **Date of Patent:** **** Dec. 31, 2002**

(54) **CORD MANAGER**

D434,002 S * 11/2000 Rossman et al. D13/173

(75) Inventors: **Kenneth Mori**, Los Angeles, CA (US);
Ernesto V. Quinteros, Los Angeles, CA (US);
Vijendra Nalwad, Thousand Oaks, CA (US)

* cited by examiner

Primary Examiner—Robert M. Spear
(74) *Attorney, Agent, or Firm*—Bryan Cave LLP

(73) Assignee: **Belkin Corporation**, Compton, CA (US)

(57) **CLAIM**

We claim the ornamental design for a cord manager, as shown and described.

(**) Term: **14 Years**

DESCRIPTION

(21) Appl. No.: **29/148,445**

FIG. 1 is a perspective view of a cord manager design shown in its up position, attached to a surge protector, which is shown in phantom to indicate it forms no part of the claimed design;

(22) Filed: **Sep. 19, 2001**

(51) **LOC (7) Cl.** **13-03**

(52) **U.S. Cl.** **D13/154**

(58) **Field of Search** D8/364, 383, 394,
D8/396; D13/137.2, 137.3, 137.4, 139.6,
152-156, 160, 184, 199; 24/334, 457; 174/135;
439/107, 650-654, 954

FIG. 2 is a top view of the cord manager design of FIG. 1; FIG. 3 is a front view of the cord manager design of FIG. 1; FIG. 4 is a right side view of the cord manager design of FIG. 1;

FIG. 5 is a left side view of the cord manager design of FIG. 1;

(56) **References Cited**

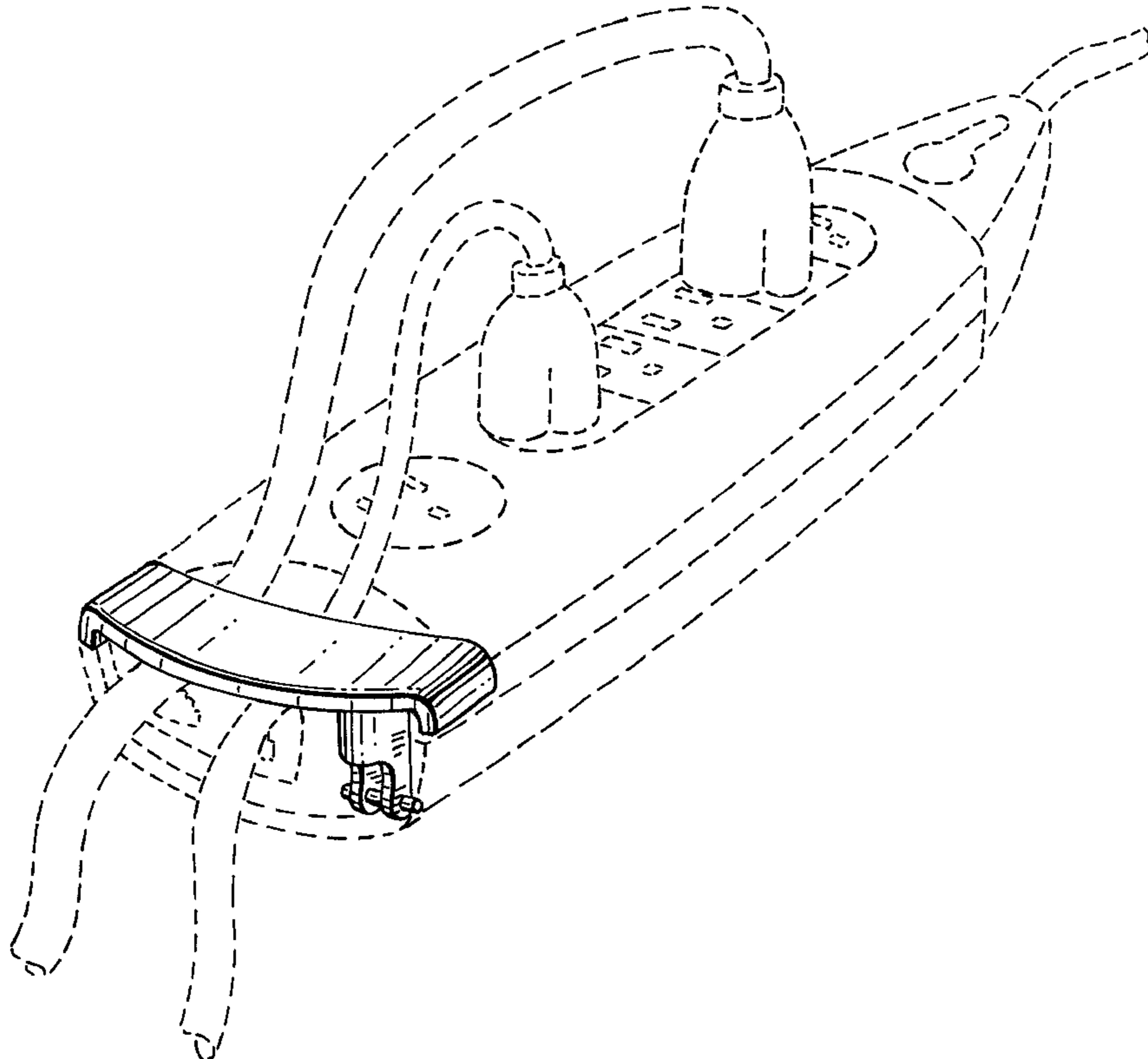
U.S. PATENT DOCUMENTS

2,206,775	A	*	7/1940	Hooper	24/334
D370,460	S	*	6/1996	Boesel et al.	D13/137.2
5,780,775	A	*	7/1998	Yu	439/910
D409,146	S	*	5/1999	Fladung	D13/137.2
D411,511	S	*	6/1999	Rossman et al.	D13/139.6
D412,336	S	*	7/1999	Bakoledis	D8/394
D422,267	S	*	4/2000	Richards	D13/154

FIG. 6 is a rear view of the cord manager design of FIG. 1; FIG. 7 is a bottom view of the cord manager design of FIG. 1; and,

FIG. 8 is a perspective view of the cord manager design of FIG. 1 shown in use in its down position, attached to a surge protector, which is shown in phantom to indicate it forms no part of the claimed design.

1 Claim, 3 Drawing Sheets



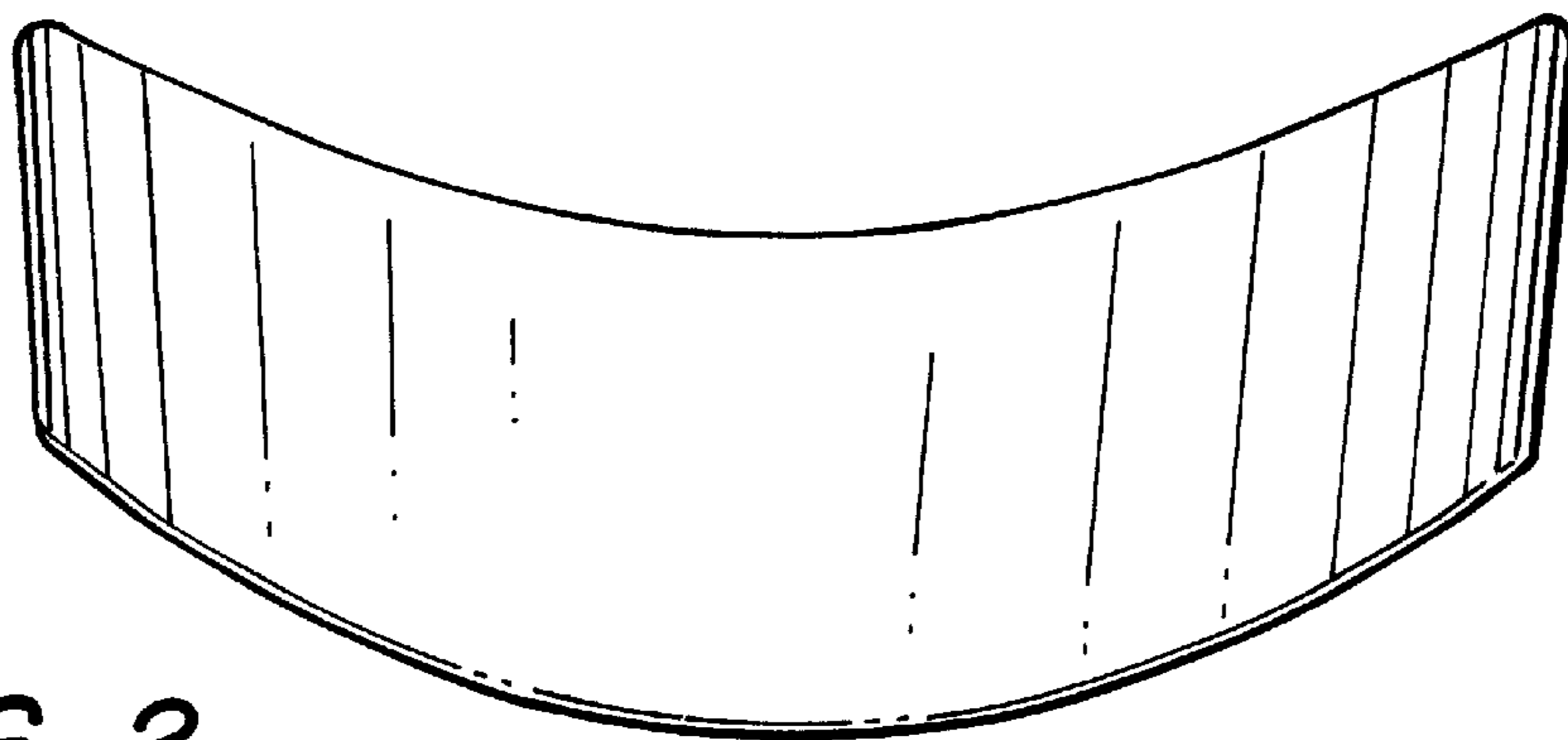
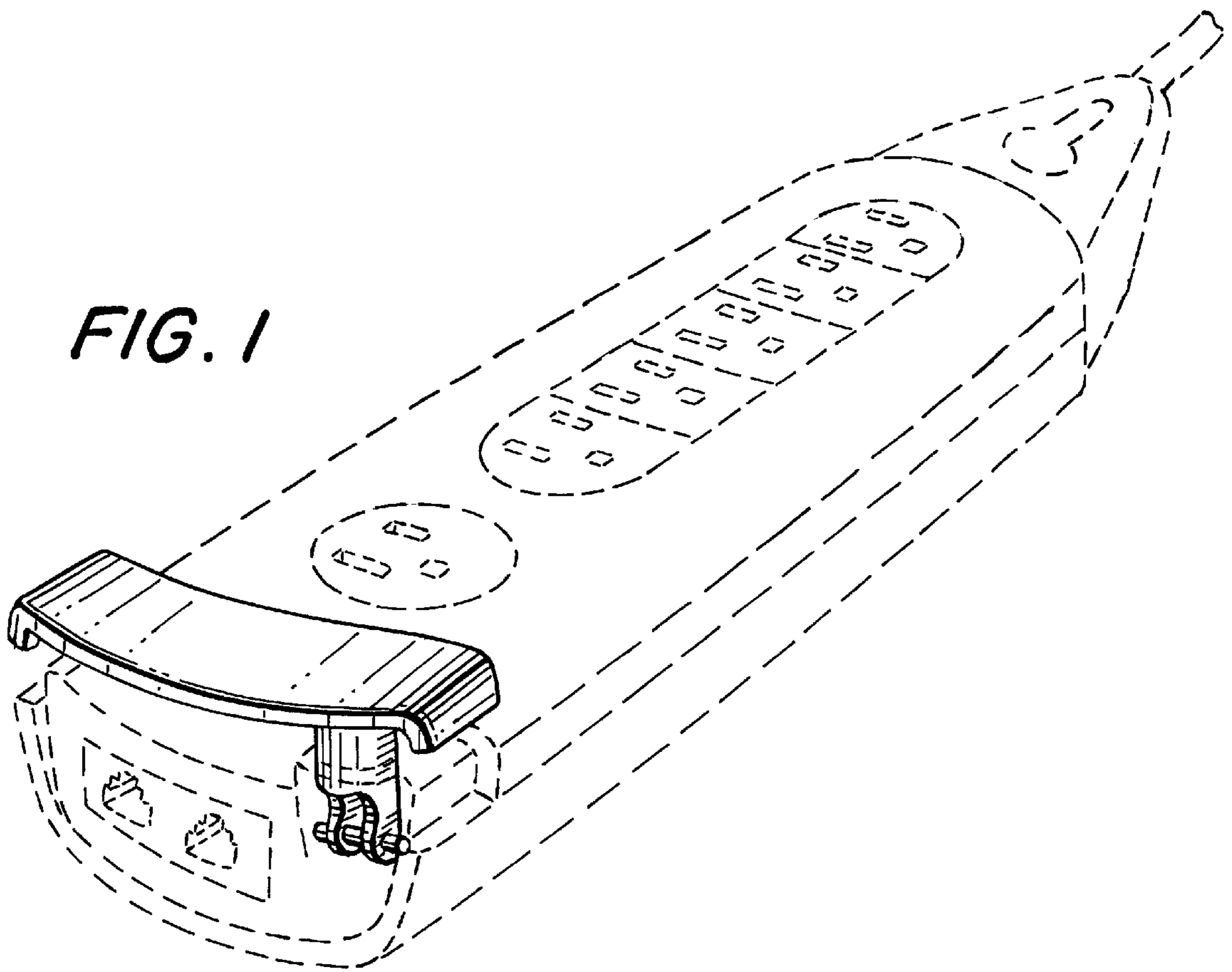


FIG. 2

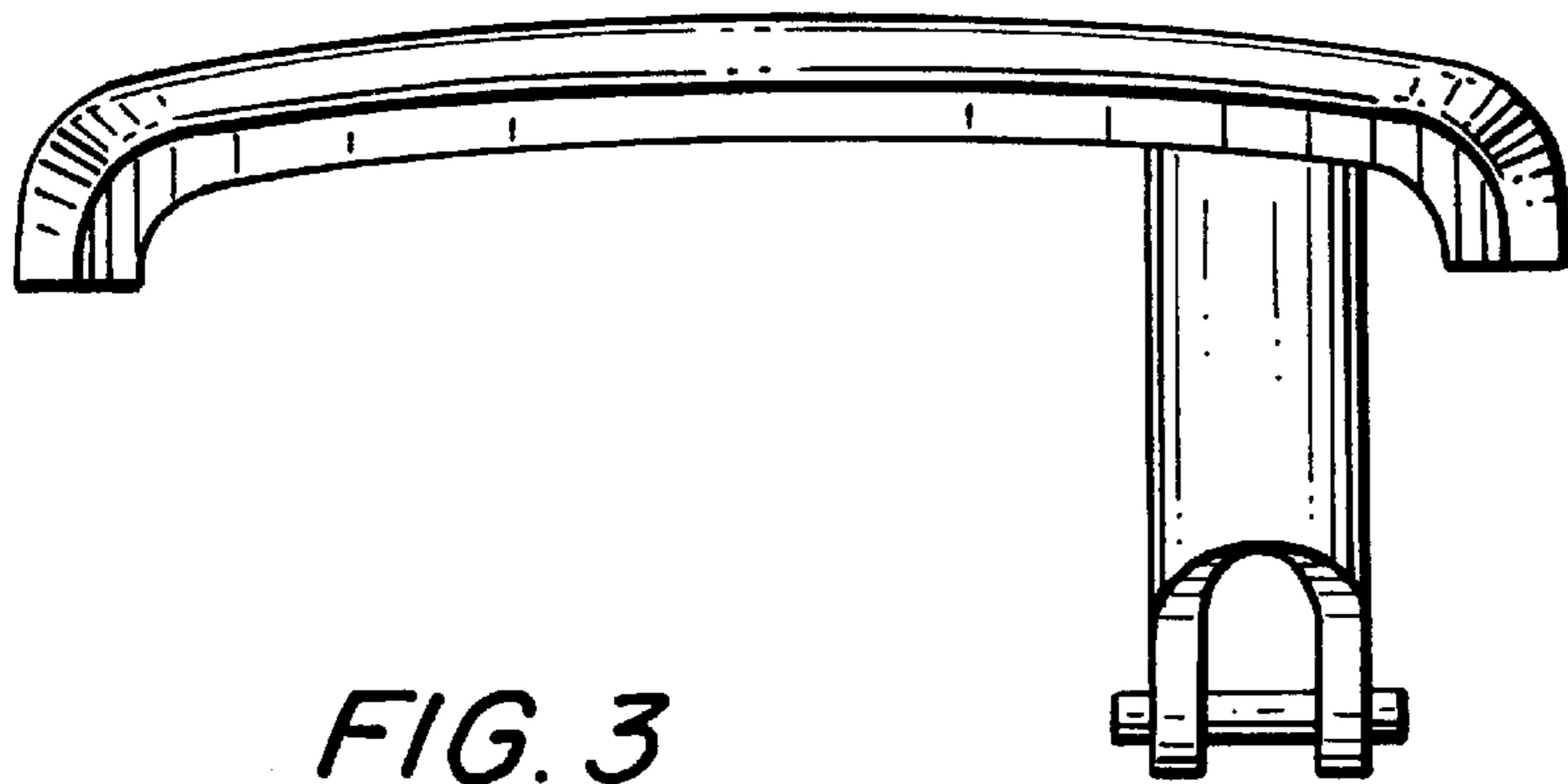


FIG. 3

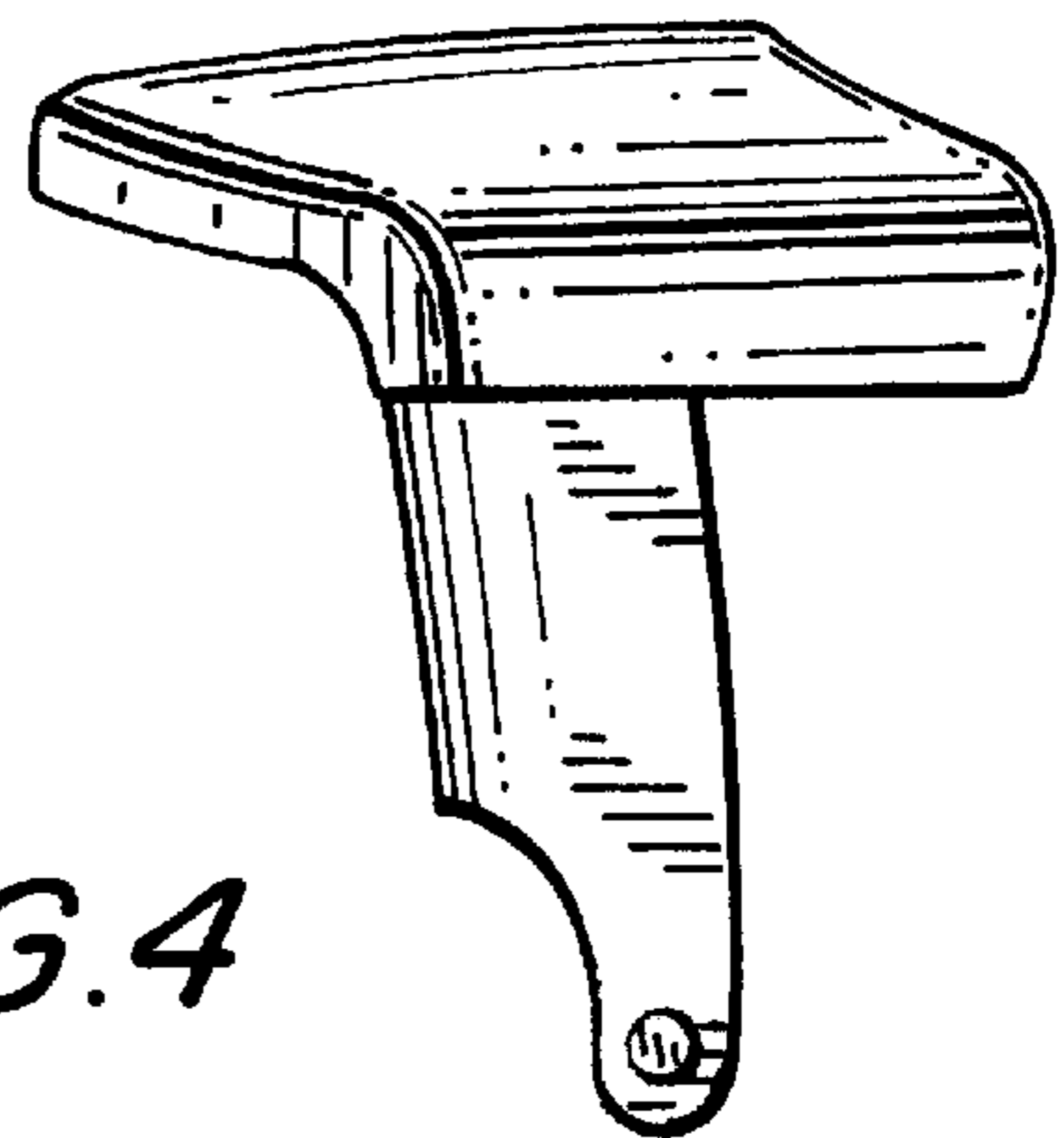


FIG. 4

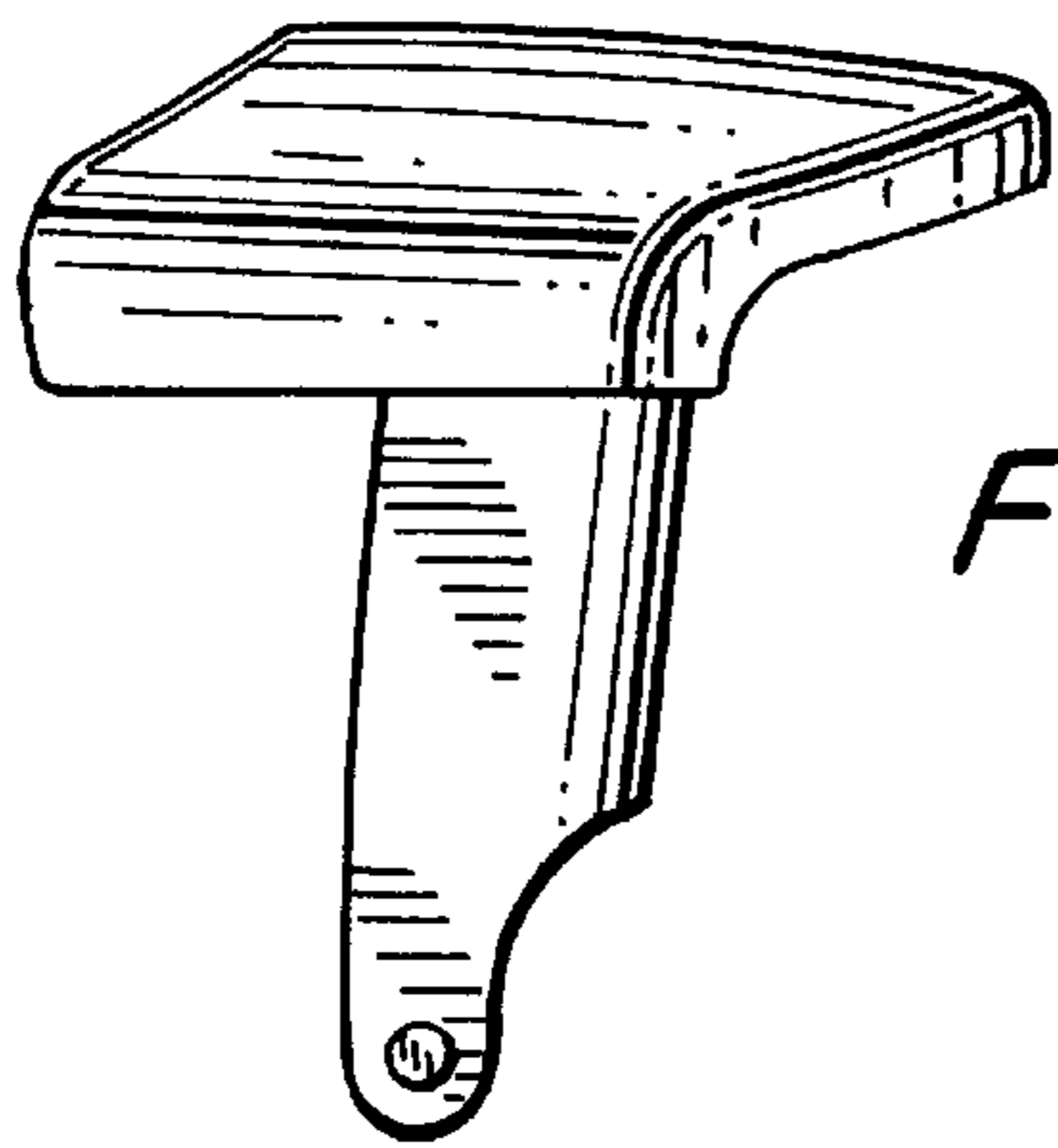


FIG. 5

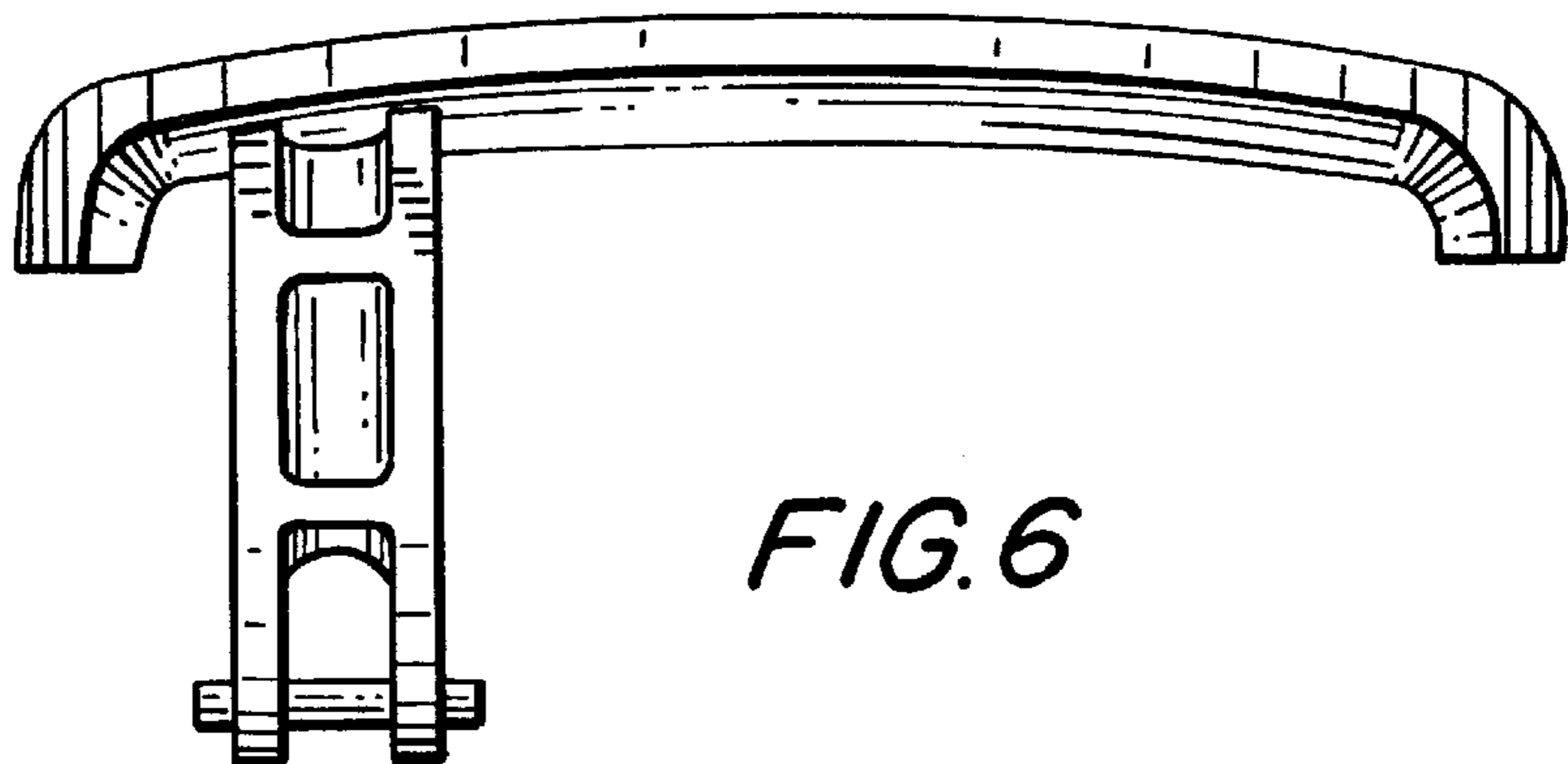


FIG. 6

FIG. 7

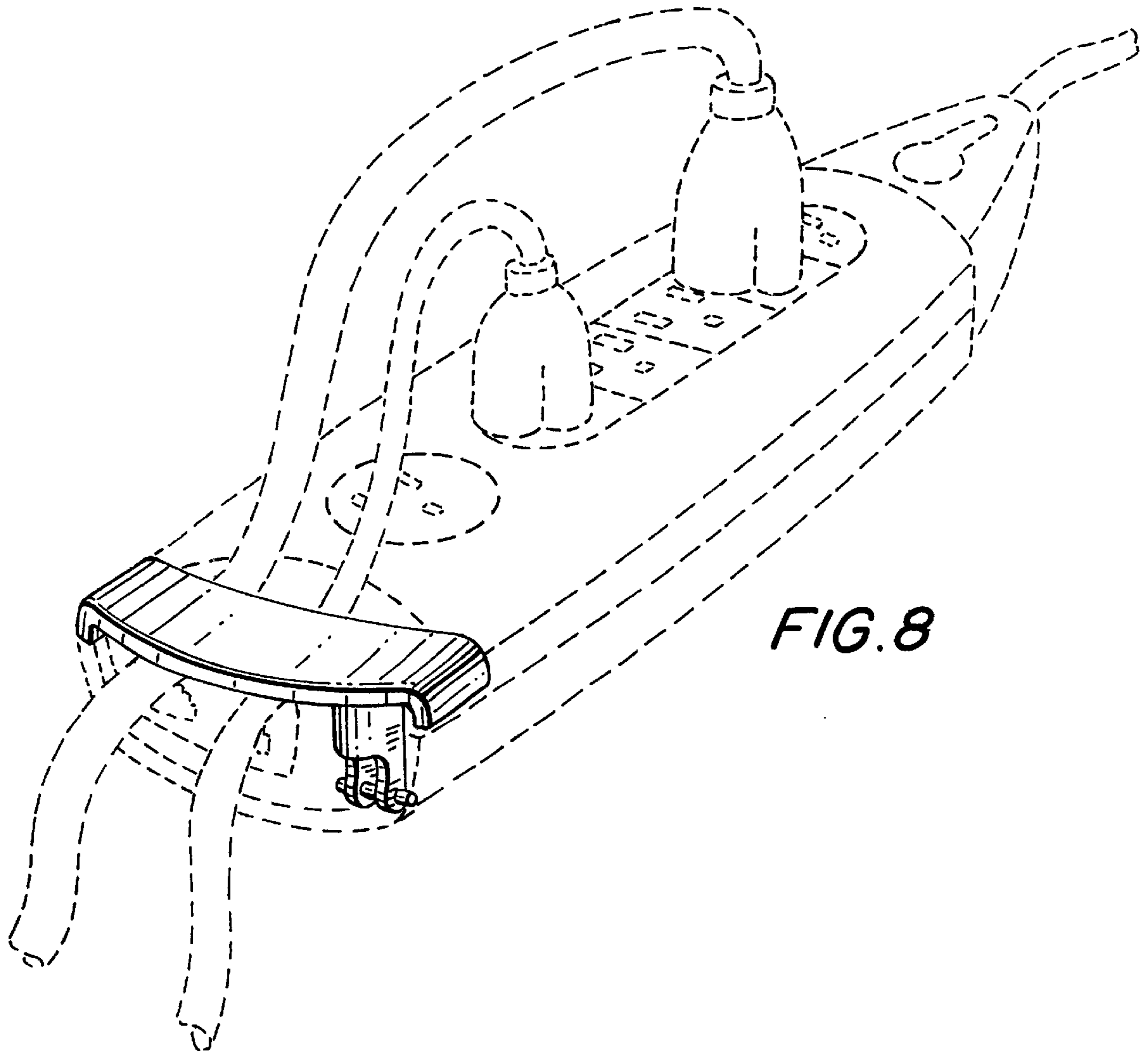
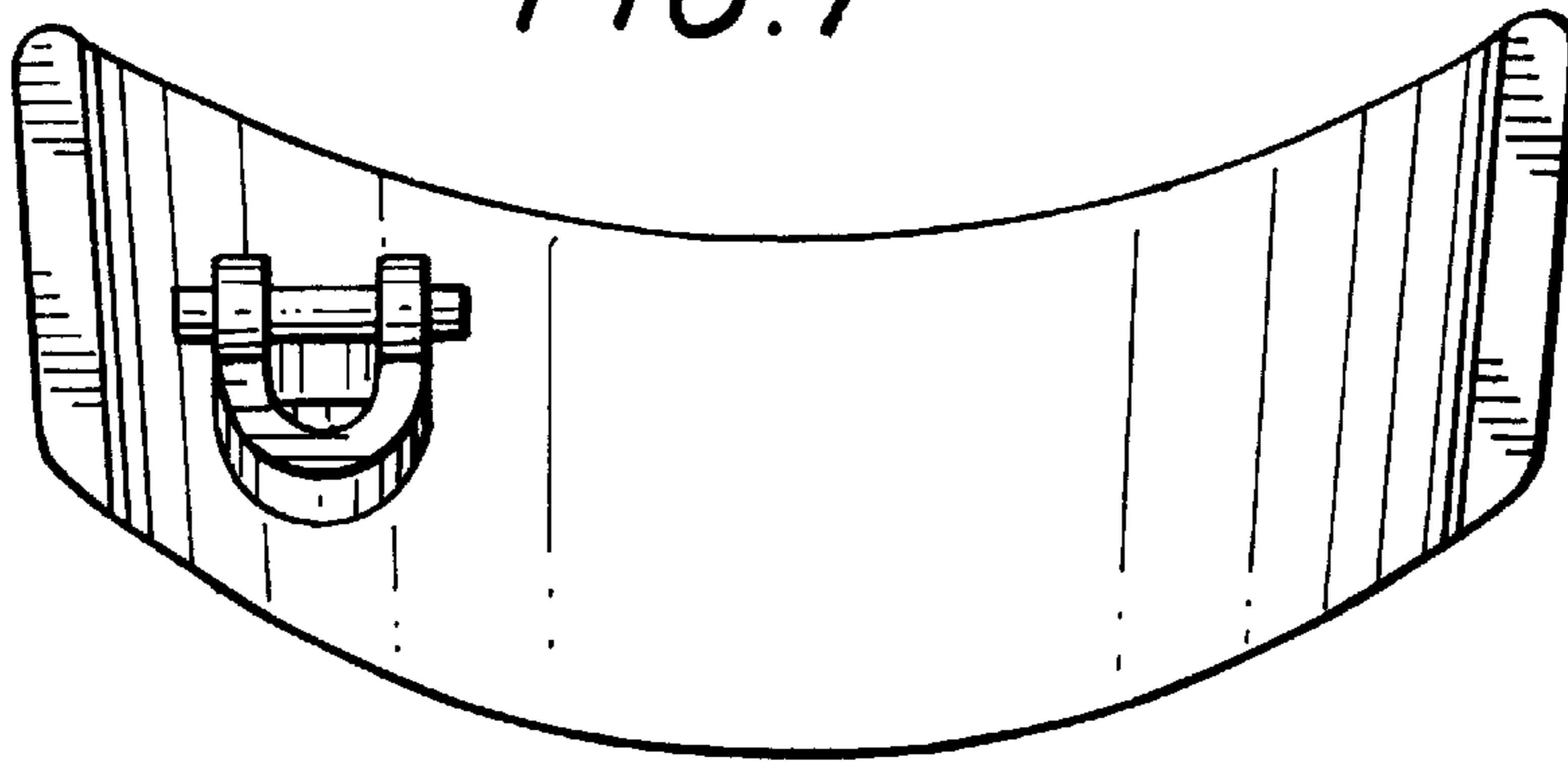


FIG. 8