



US00D467876S

(12) **United States Design Patent**  
**Lee et al.**

(10) **Patent No.:** **US D467,876 S**

(45) **Date of Patent:** **\*\* Dec. 31, 2002**

(54) **ELECTRICAL CONNECTOR**

(75) Inventors: **George Lee**, Tu-Chen (TW); **Eric Juntwait**, Harrisburg, PA (US)

(73) Assignee: **Hon Hai Precision Ind. Co., Ltd.**, Taipei Hsien (TW)

(\*\*) Term: **14 Years**

(21) Appl. No.: **29/159,430**

(22) Filed: **Apr. 19, 2002**

**Related U.S. Application Data**

(60) Division of application No. 29/133,082, filed on Nov. 20, 2000, which is a continuation-in-part of application No. 09/207,082, filed on Dec. 7, 1998, now abandoned.

(51) **LOC (7) Cl.** ..... **13-03**

(52) **U.S. Cl.** ..... **D13/147**

(58) **Field of Search** ..... D13/147; 439/350, 439/352, 353, 354, 357, 660, 677, 680-682

(56) **References Cited**

**U.S. PATENT DOCUMENTS**

D205,509 S \* 8/1966 Reynolds ..... D13/147  
3,366,729 A \* 1/1968 Pauza ..... D13/147 X

D210,533 S \* 3/1968 Pauza ..... D13/147  
D216,888 S \* 3/1970 Kunkle ..... D13/147  
4,398,073 A \* 8/1983 Botz et al. .... 439/350 X  
4,462,654 A \* 7/1984 Aiello ..... 439/347  
4,915,650 A \* 4/1990 Daly et al. .... 439/498  
D324,031 S \* 2/1992 Lambert, II et al. .... D13/147  
6,017,252 A \* 1/2000 May et al. .... 439/752  
6,074,237 A \* 6/2000 Lee ..... 439/358 X  
6,171,131 B1 \* 1/2001 Lee ..... 439/358

\* cited by examiner

*Primary Examiner*—Joel Sincavage

(74) *Attorney, Agent, or Firm*—Wei Te Chung

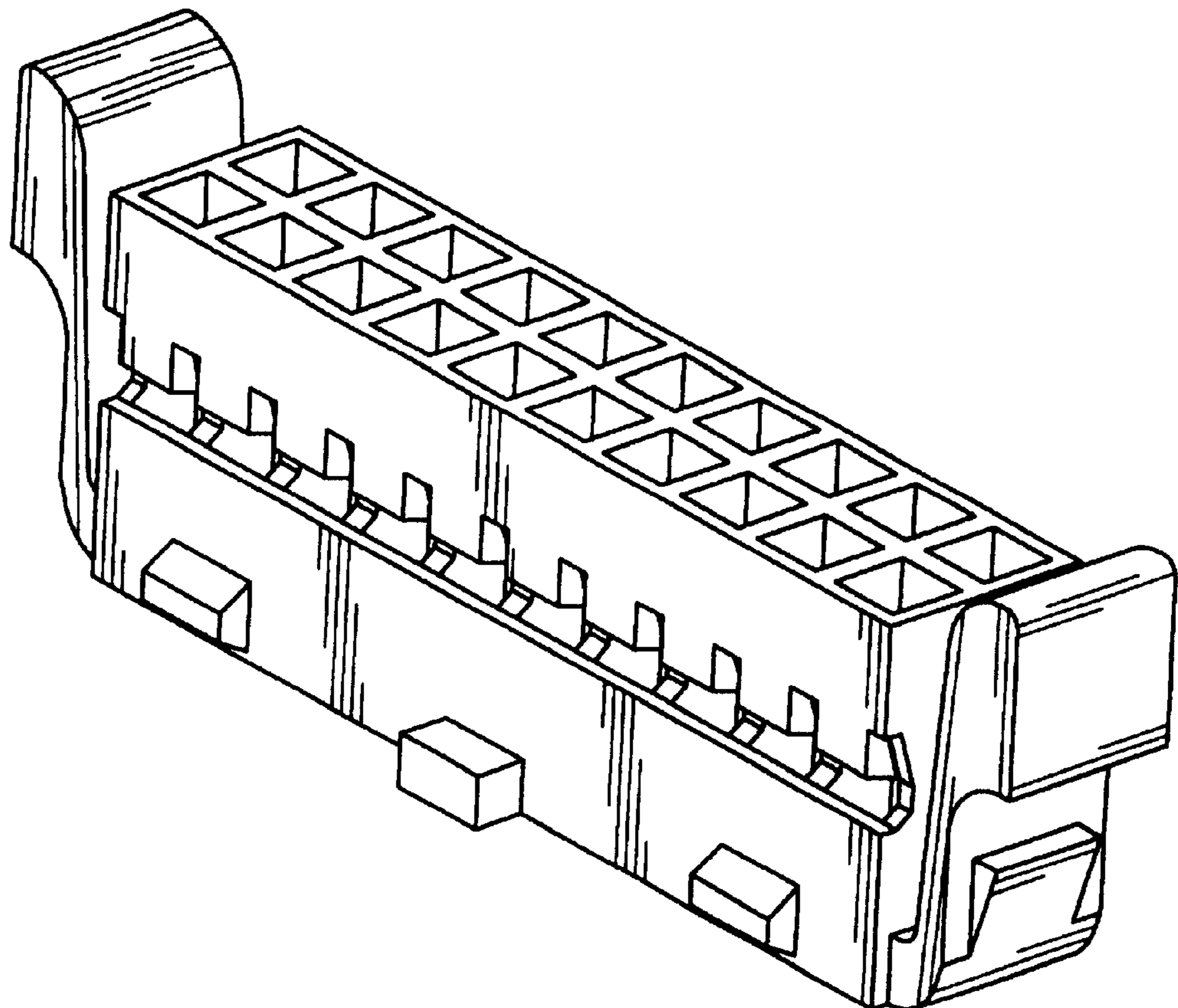
(57) **CLAIM**

The ornamental design for an electrical connector, as shown.

**DESCRIPTION**

FIG. 1 is a front, top and right side perspective view of an electrical connector of our new design; FIG. 2 is a front elevational view of FIG. 1; FIG. 3 is a rear elevational view of FIG. 1; FIG. 4 is a left side elevational view of FIG. 1; FIG. 5 is a right side elevational view of FIG. 1; FIG. 6 is a top plan view of FIG. 1; and, FIG. 7 is a bottom plan view of FIG. 1.

**1 Claim, 4 Drawing Sheets**



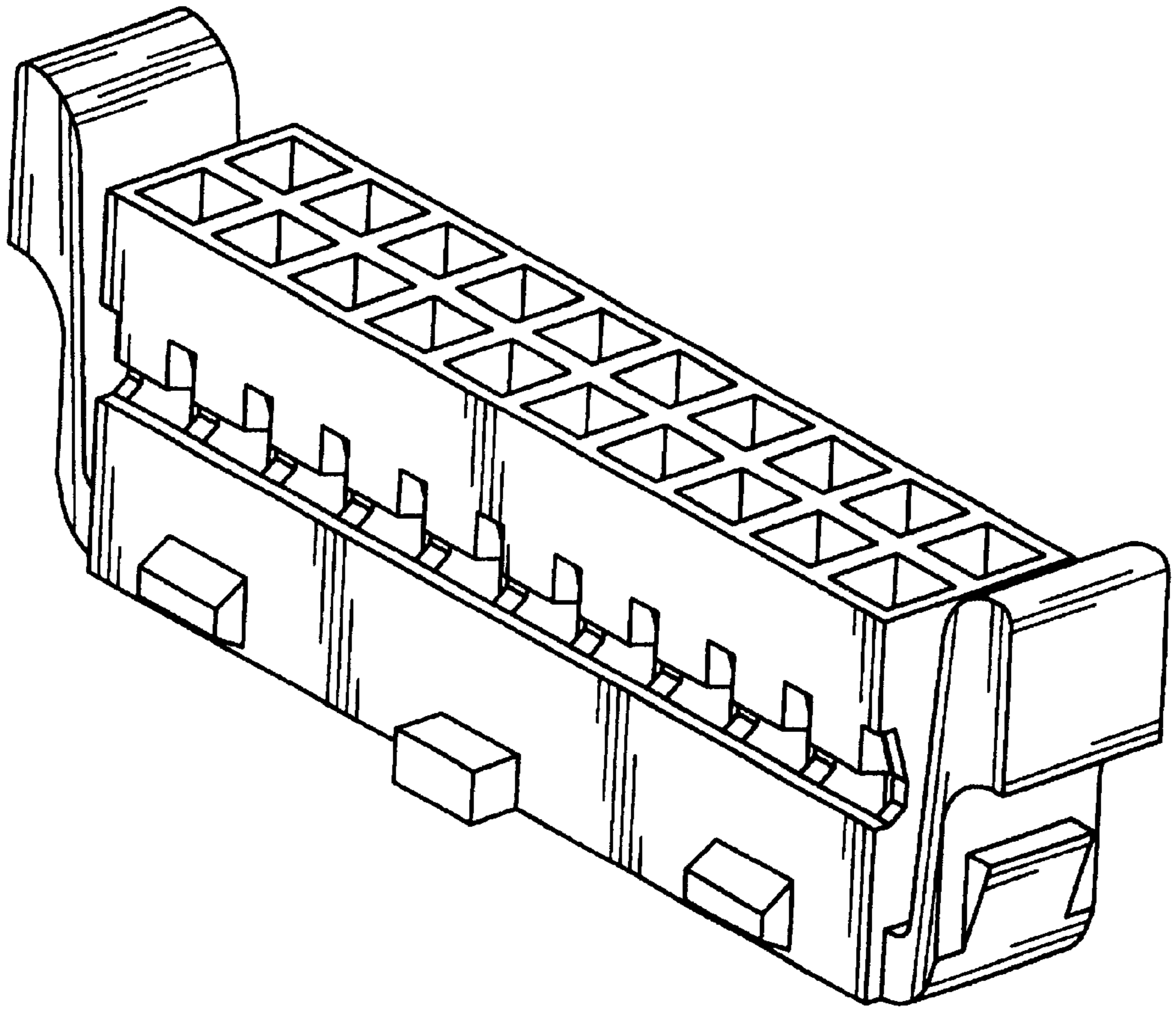


FIG. 1

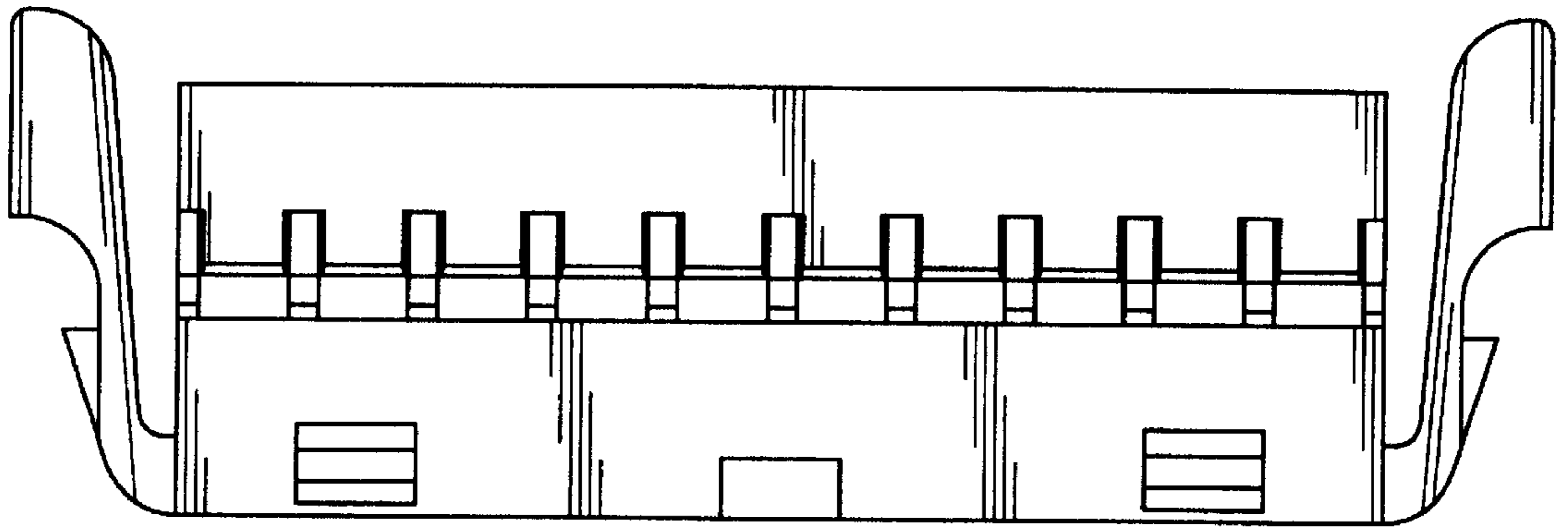


FIG. 2

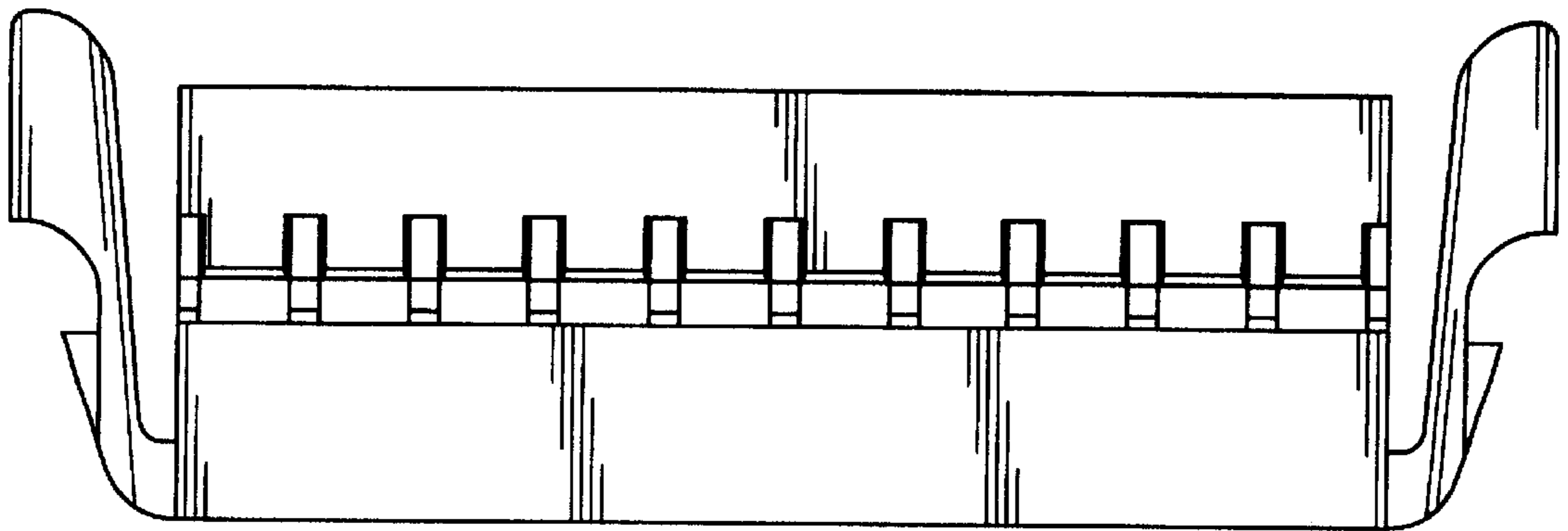


FIG. 3

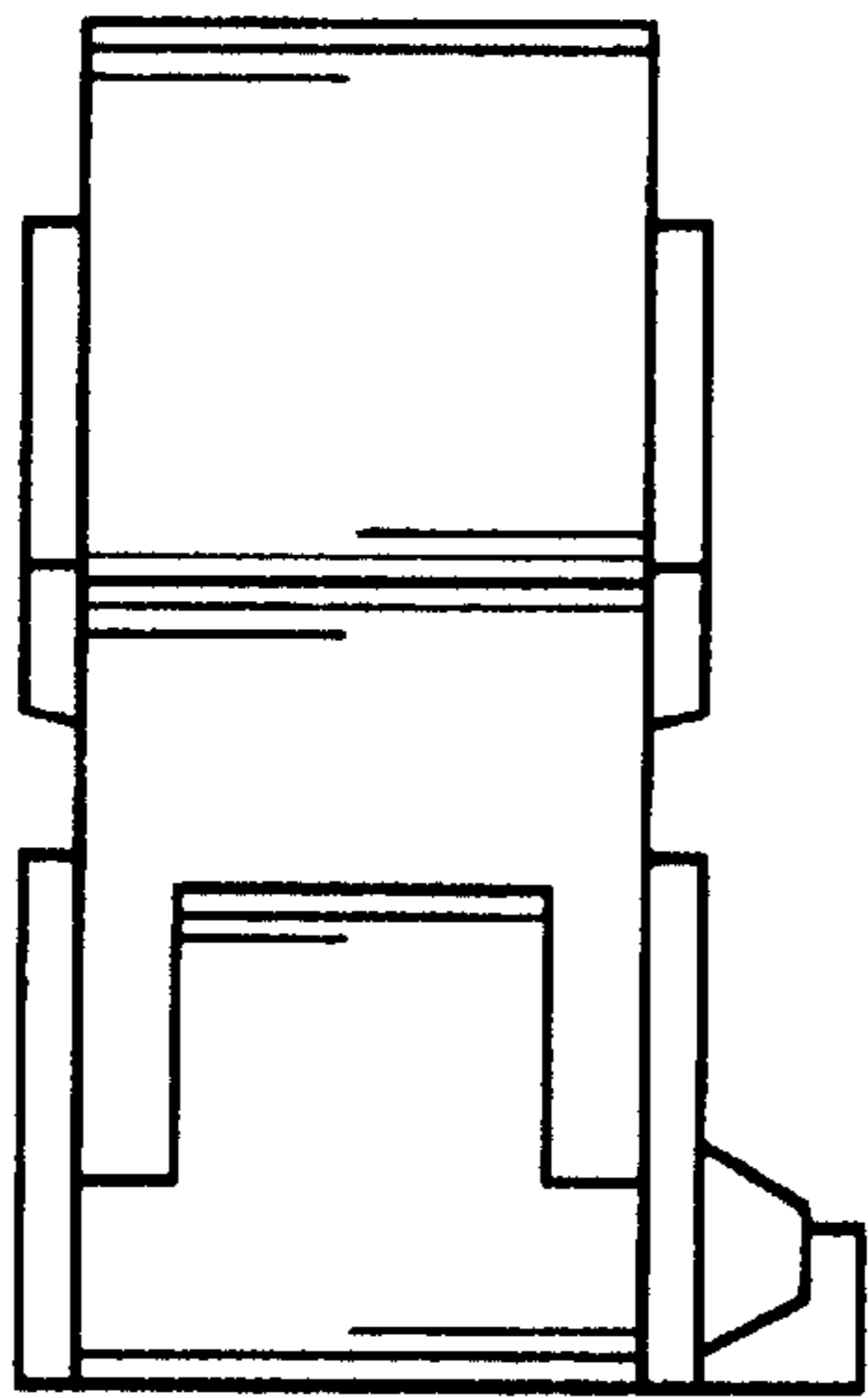


FIG. 4

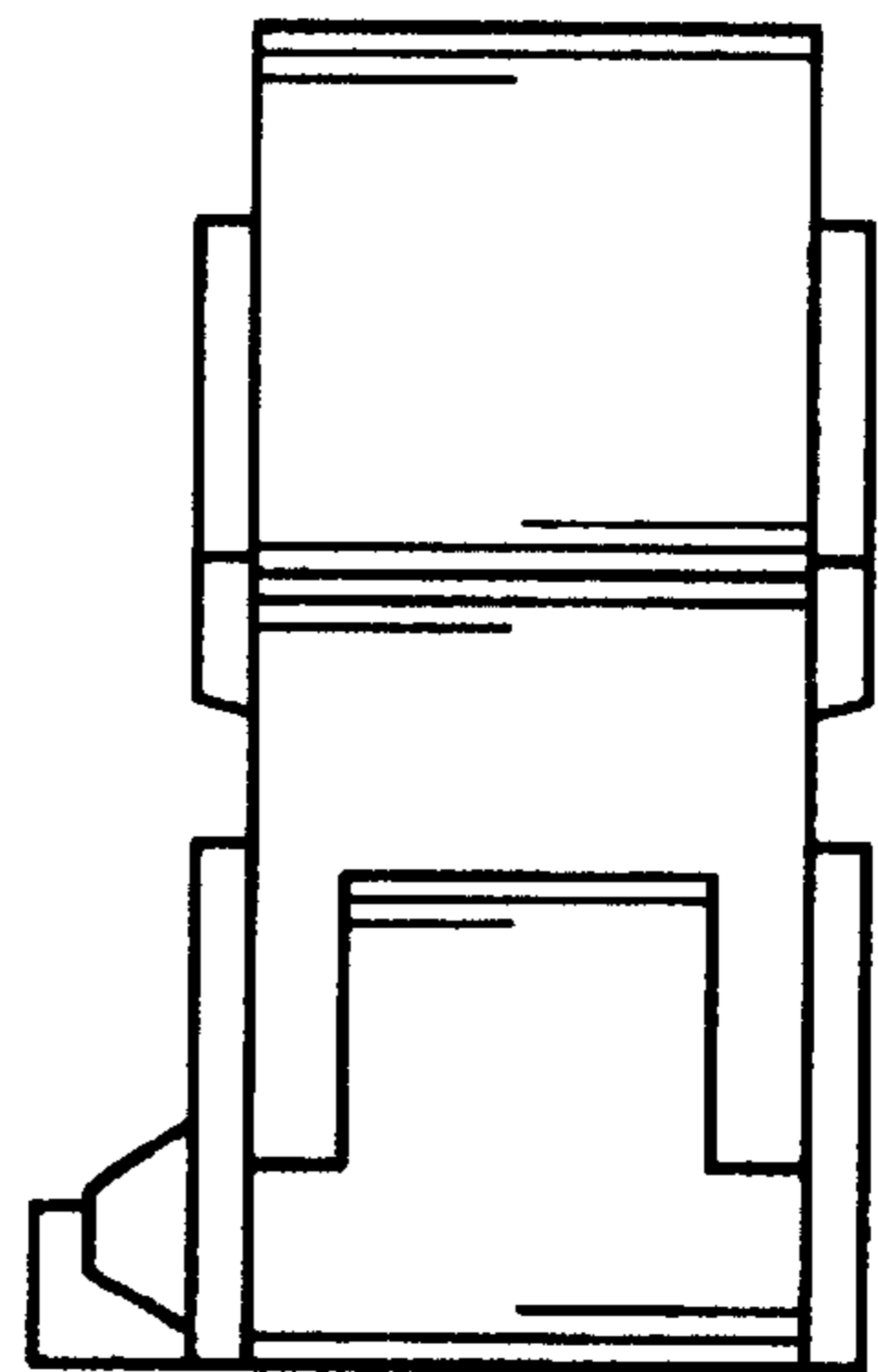


FIG. 5

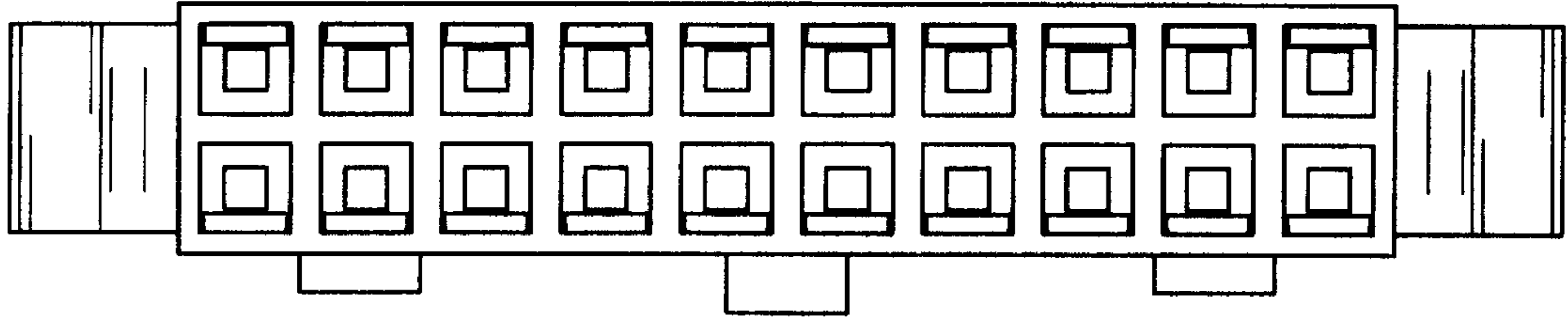


FIG. 6

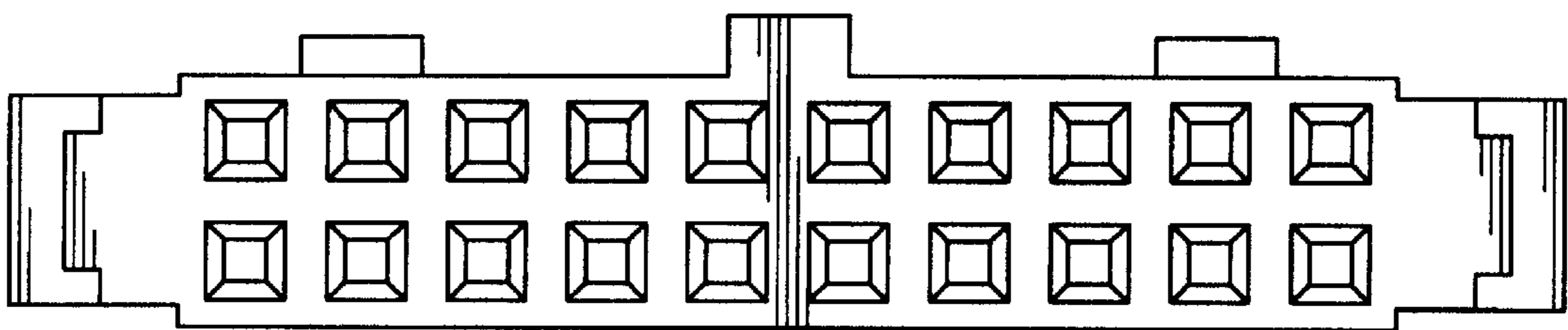


FIG. 7