



US00D467873S

(12) **United States Design Patent**  
**Yu**

(10) **Patent No.:** **US D467,873 S**

(45) **Date of Patent:** **\*\* Dec. 31, 2002**

(54) **RECEPTACLE ADAPTER**

(76) Inventor: **Jeff Yu**, 1101 S. Winchester Blvd.  
#D146, San Jose, CA (US) 95128

(\*\*) Term: **14 Years**

(21) Appl. No.: **29/157,848**

(22) Filed: **Mar. 28, 2002**

(51) **LOC (7) Cl.** ..... **13-03**

(52) **U.S. Cl.** ..... **D13/137.2**

(58) **Field of Search** ..... D9/423; D13/123,  
D13/133, 137.1-137.4, 139.1-139.8, 160;  
174/48-49, 53-57, 136; 191/12 R, 124;  
361/614; 439/107, 131, 528, 535-536, 538,  
571, 620, 650-654, 954

(56) **References Cited**

**U.S. PATENT DOCUMENTS**

D195,955 S \* 8/1963 Carlson ..... D13/137.1  
D284,852 S \* 7/1986 Maloney ..... D13/139.8  
D288,177 S \* 2/1987 Yang ..... D13/139.6

4,861,286 A \* 8/1989 Fosnaugh ..... 439/651  
5,566,053 A \* 10/1996 Chou ..... 174/50  
D379,966 S \* 6/1997 Gallagher ..... D13/137.3  
5,658,158 A \* 8/1997 Milan ..... 439/214  
5,964,618 A \* 10/1999 McCarthy ..... 439/674

\* cited by examiner

*Primary Examiner*—Robert M. Spear

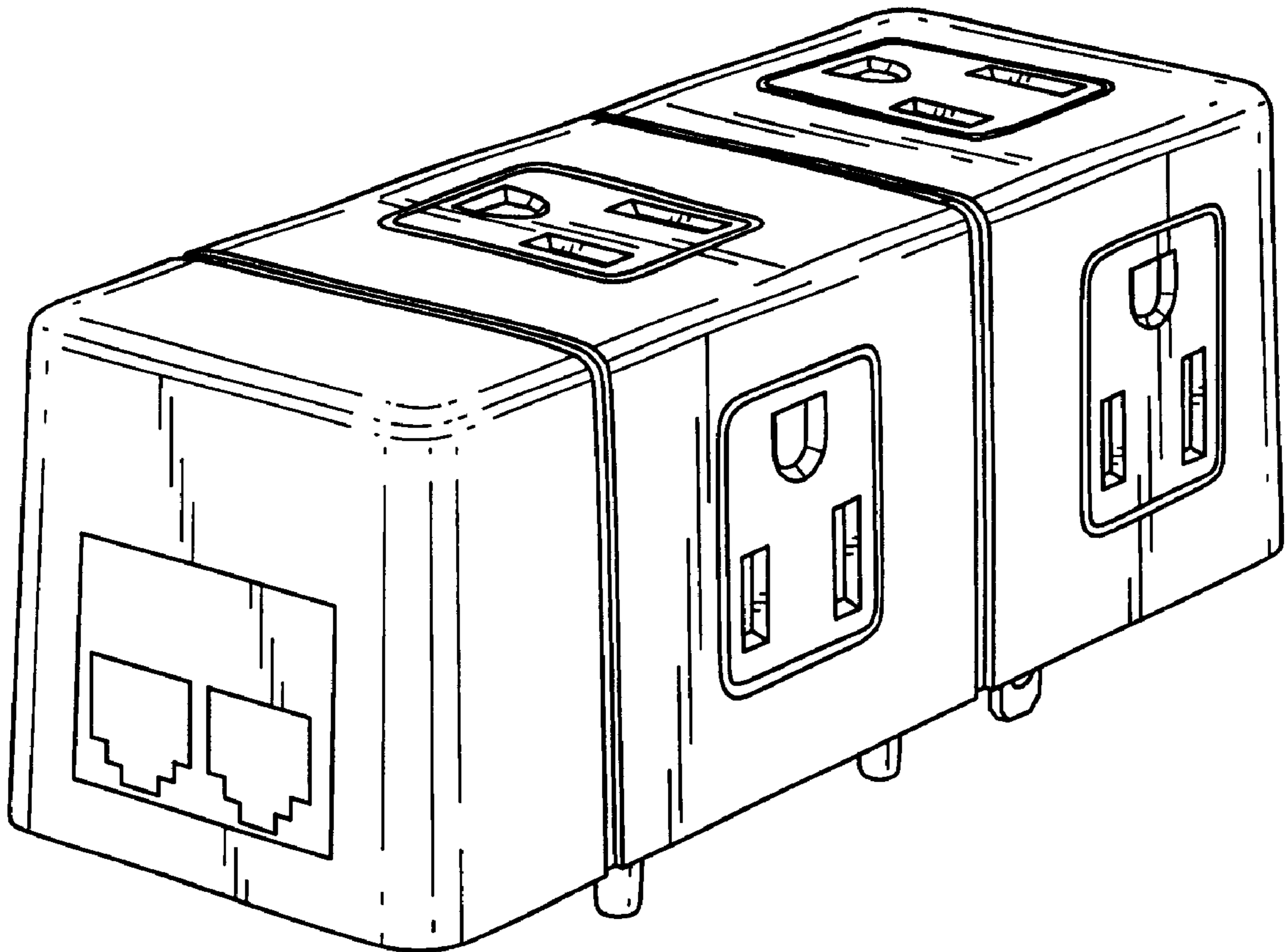
(57) **CLAIM**

The ornamental design for a receptacle adapter, as shown and described.

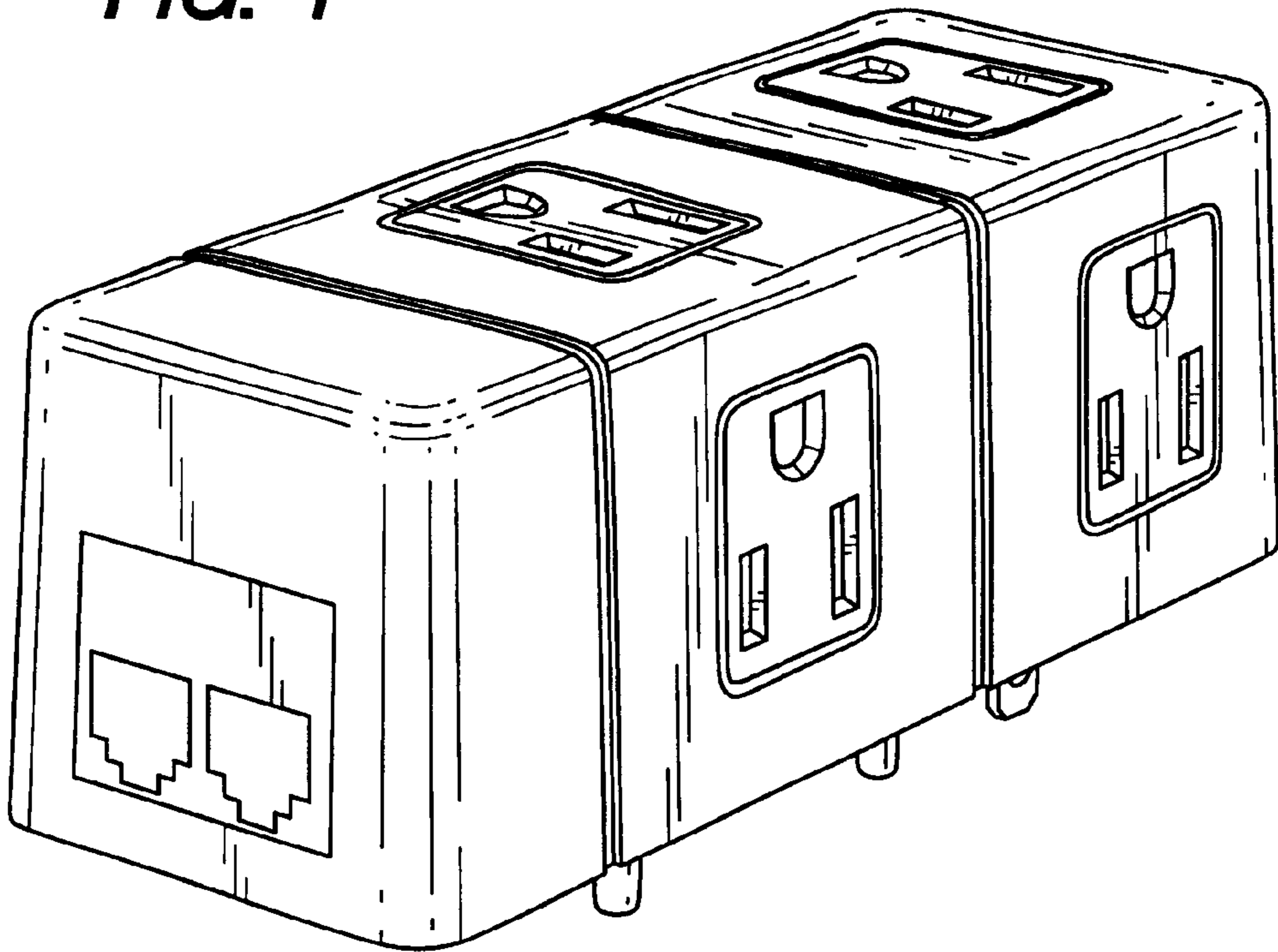
**DESCRIPTION**

FIG. 1 is a front perspective view of a receptacle adapter; FIG. 2 is a front elevational view thereof; FIG. 3 is a top view thereof; FIG. 4 is a rear elevational view thereof; FIG. 5 is a left elevational view thereof; FIG. 6 is a right elevational view thereof; and, FIG. 7 is a bottom view thereof.

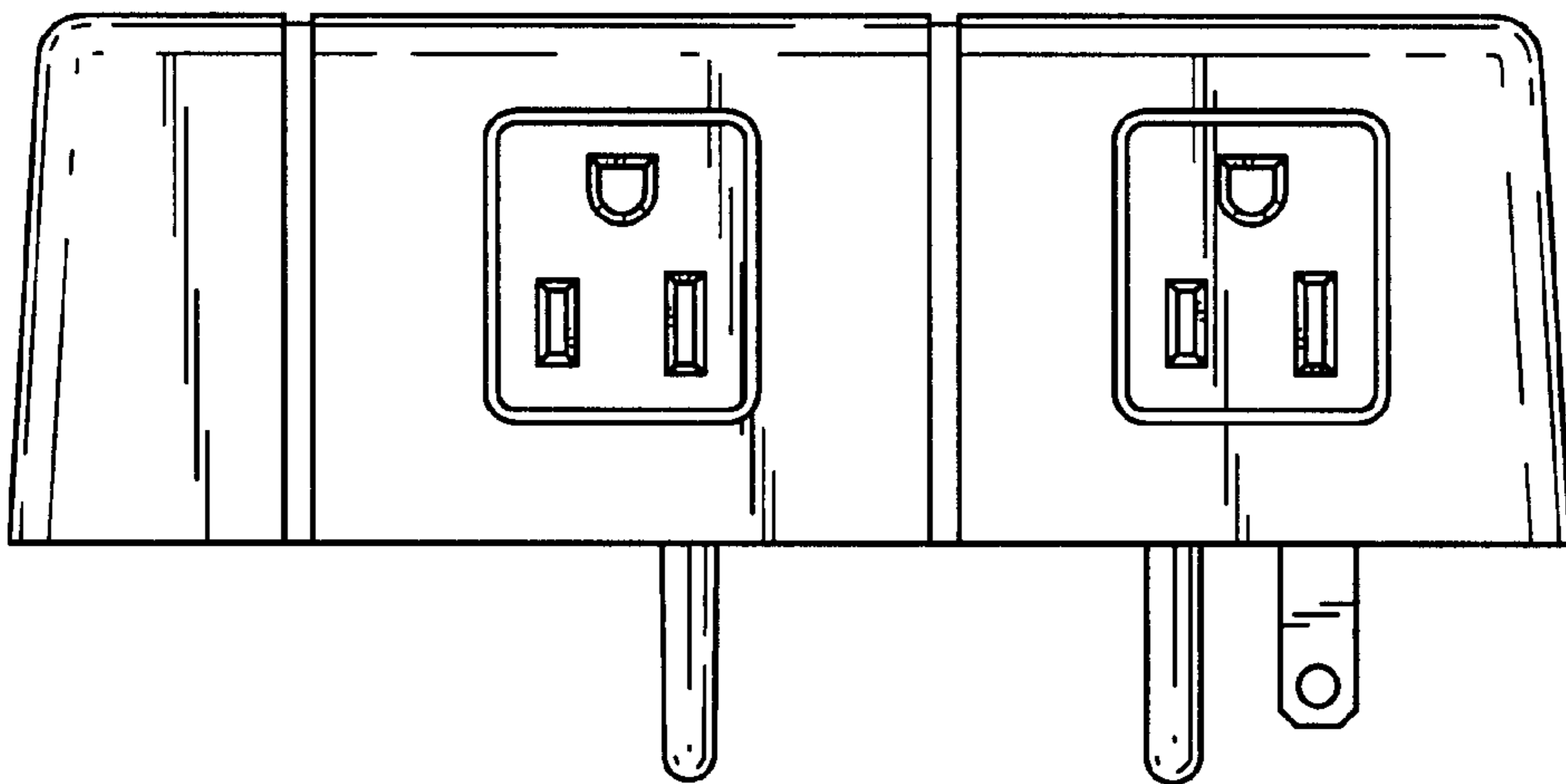
**1 Claim, 3 Drawing Sheets**



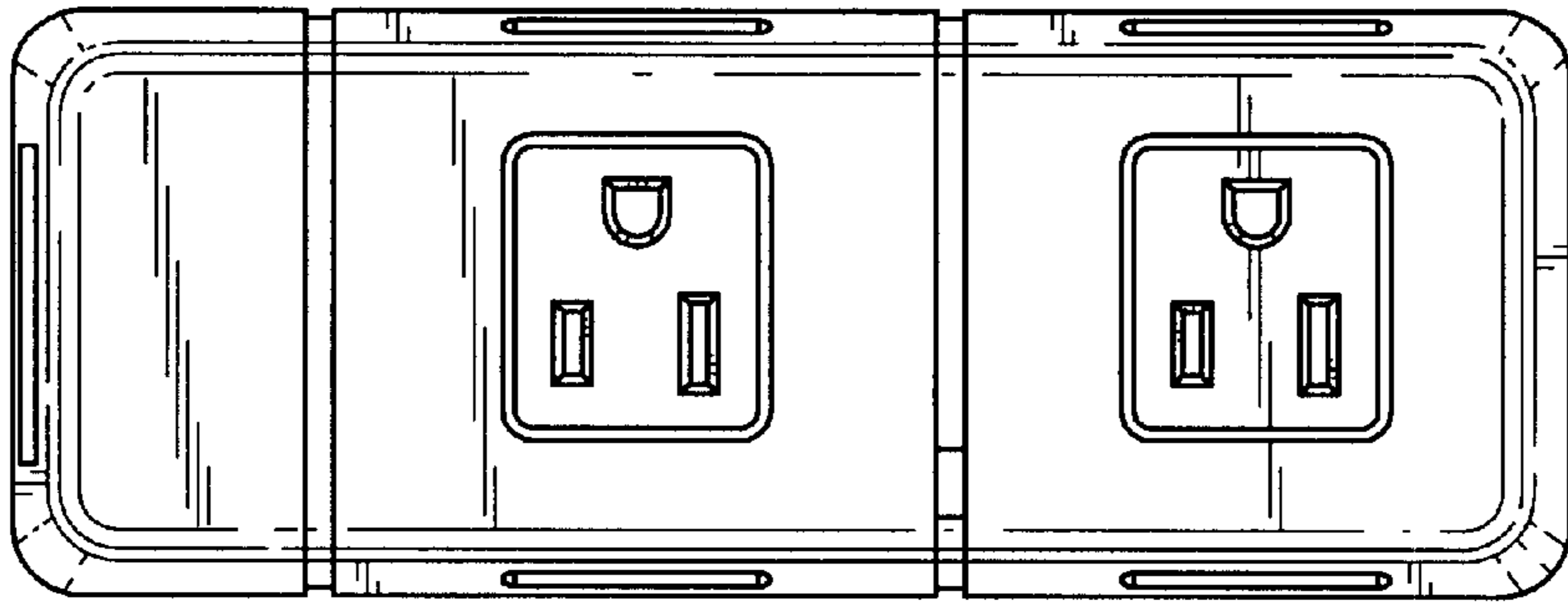
**FIG. 1**



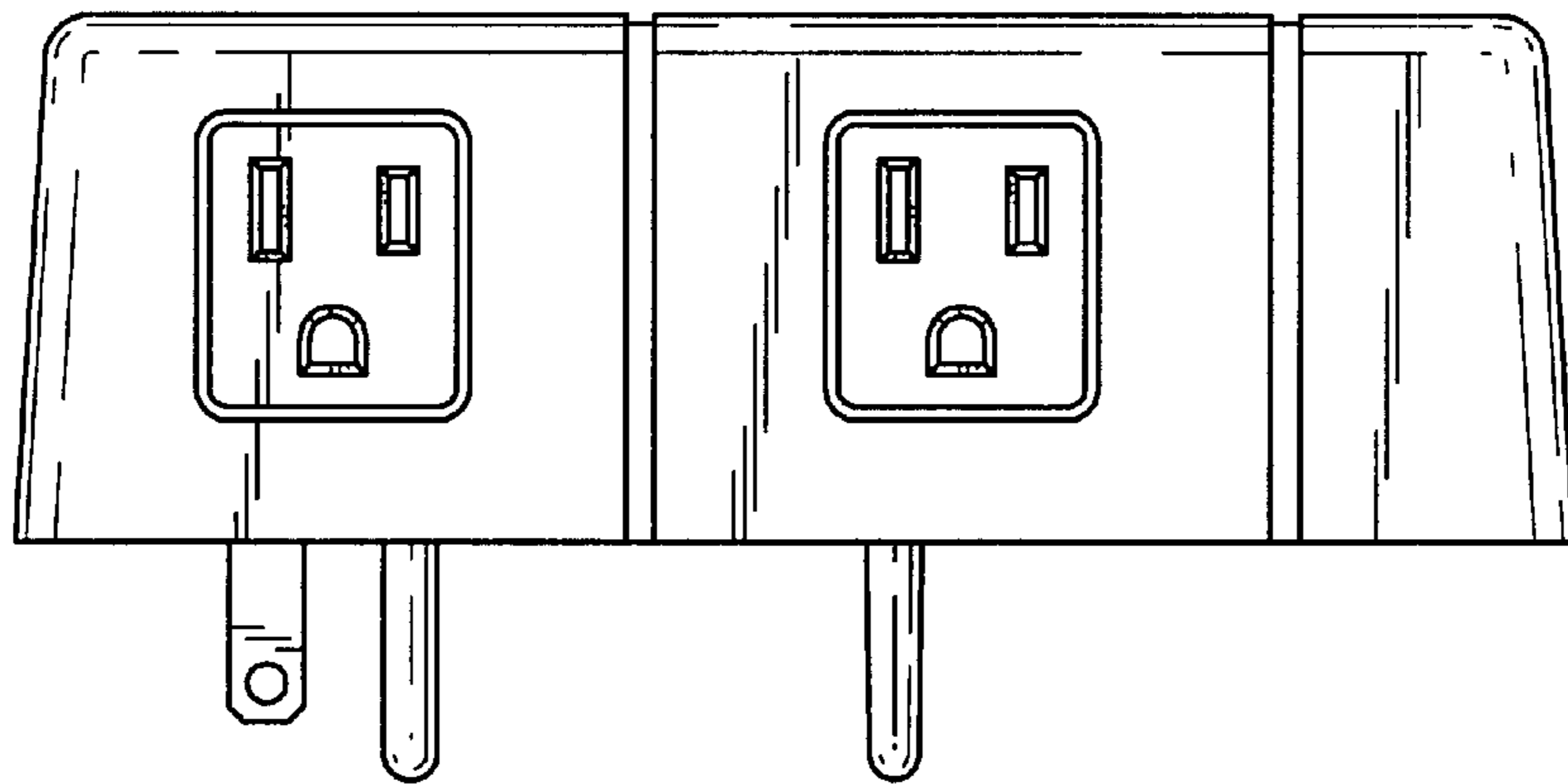
**FIG. 2**



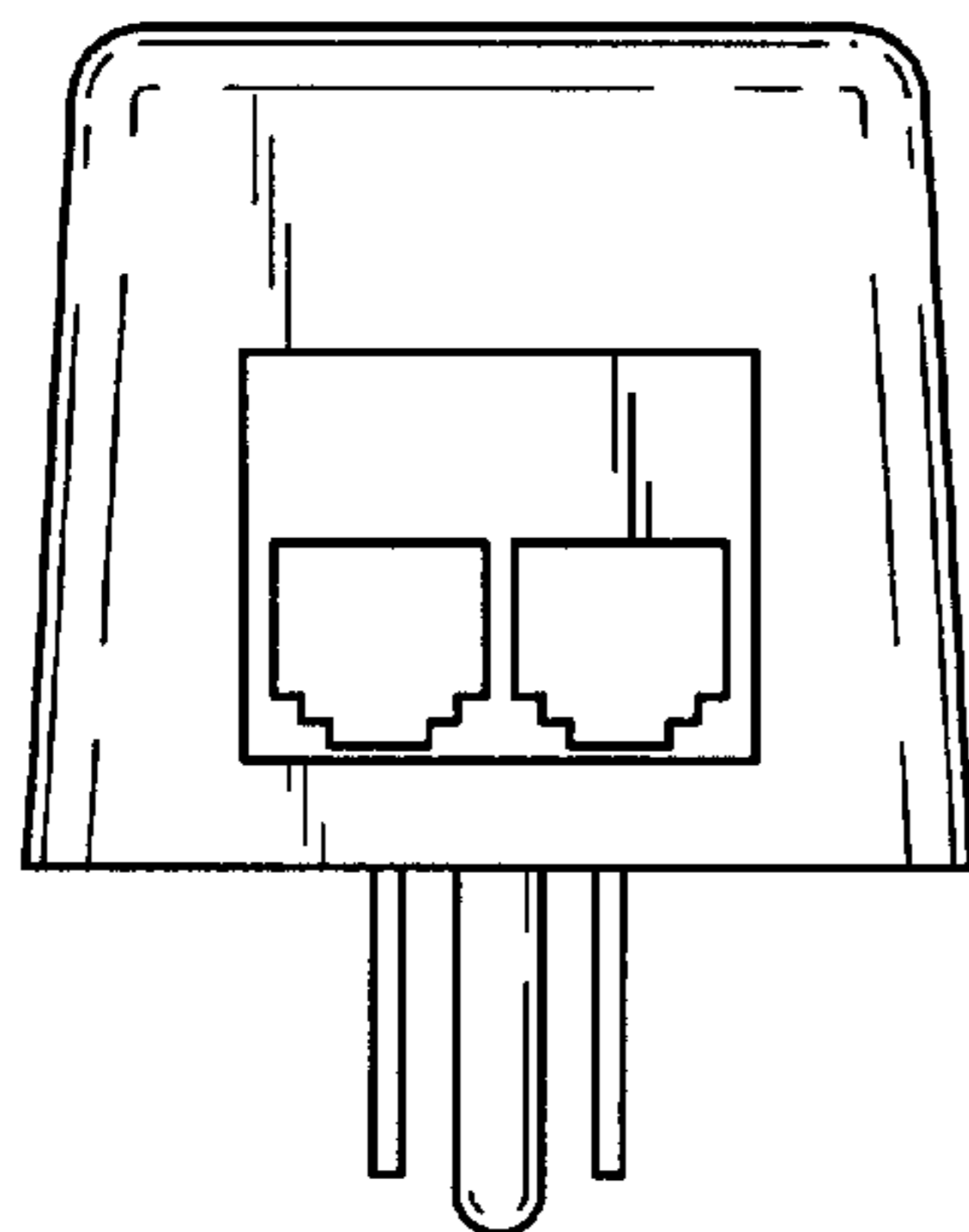
**FIG. 3**



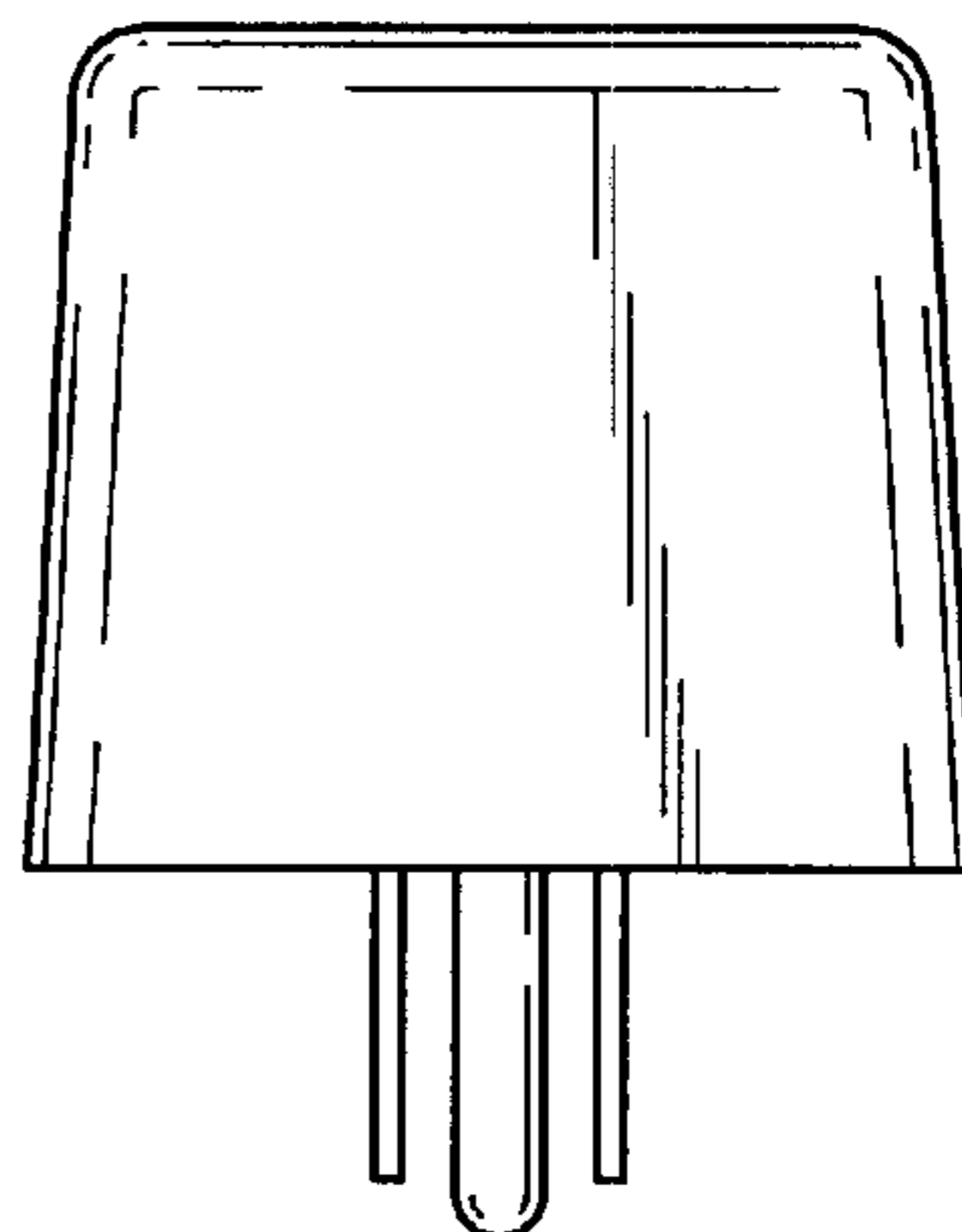
**FIG. 4**



**FIG. 5**



**FIG. 6**



**FIG. 7**

