



US00D467872S

(12) **United States Design Patent**
Yeh

(10) **Patent No.:** **US D467,872 S**

(45) **Date of Patent:** **** Dec. 31, 2002**

(54) **ELECTRICAL CONNECTOR**

(75) **Inventor:** **Joel J. Yeh**, San Gabrie, CA (US)

(73) **Assignee:** **Hon Hai Precision Ind. Co., Ltd.**,
Taipei Hsien (TW)

(**) **Term:** **14 Years**

(21) **Appl. No.:** **29/158,001**

(22) **Filed:** **Mar. 26, 2002**

(51) **LOC (7) Cl.** **13-03**

(52) **U.S. Cl.** **D13/133**

(58) **Field of Search** D13/133, 147,
D13/146; 439/188, 607, 668, 540.1, 541.5,
939

(56) **References Cited**

U.S. PATENT DOCUMENTS

3,403,369 A * 9/1968 Steiff et al. 439/79
5,735,699 A * 4/1998 Tan et al. 439/939 X

6,050,845 A * 4/2000 Smalley, Jr. et al. 439/417
6,213,812 B1 * 4/2001 Kan 439/607
6,234,833 B1 * 5/2001 Tsai et al. 439/541.5
D457,495 S * 5/2002 Shi et al. D13/133

* cited by examiner

Primary Examiner—Joel Sincavage

(74) *Attorney, Agent, or Firm*—Wei Te Chung

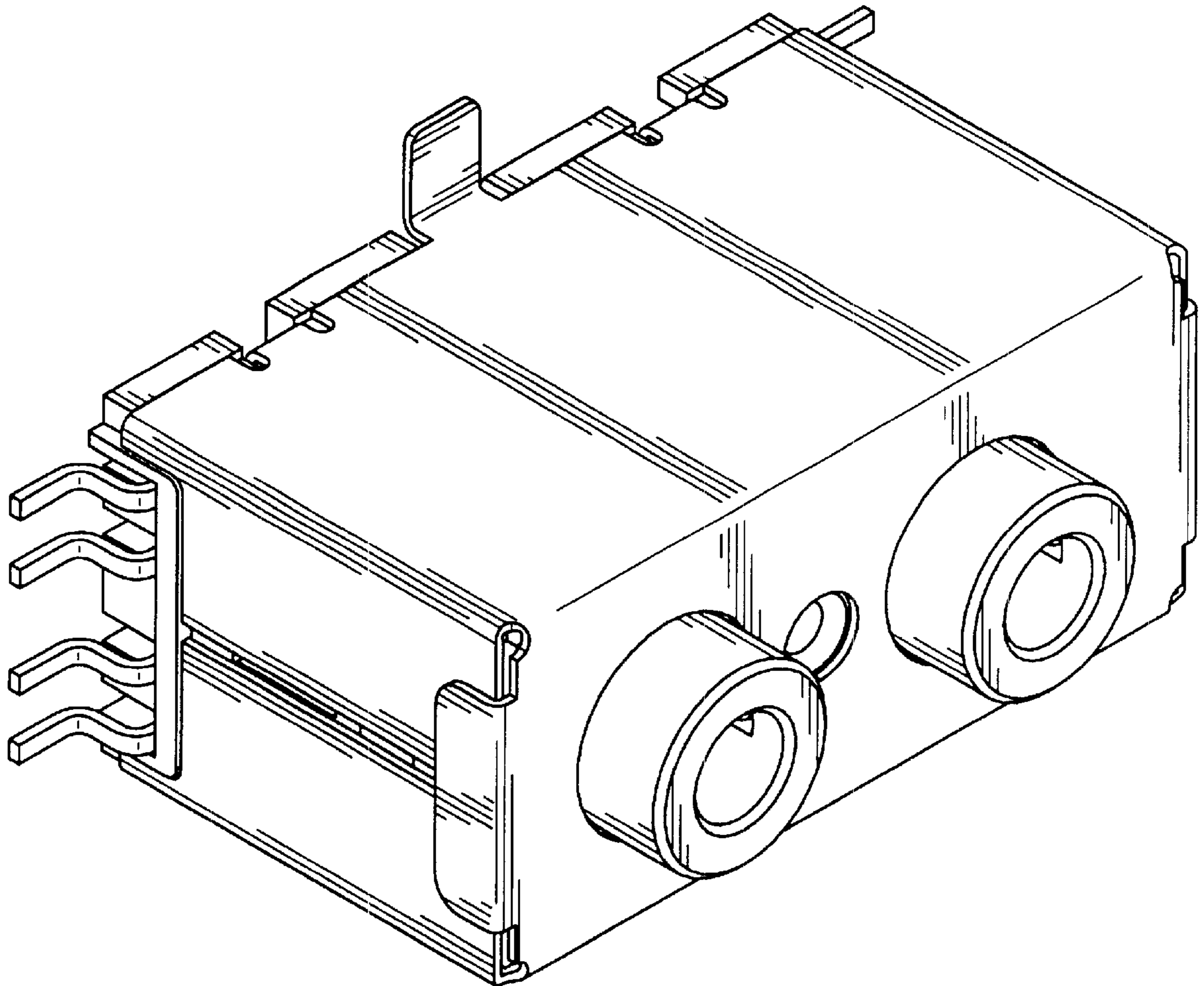
(57) **CLAIM**

The ornamental design for an electrical connector, as shown.

DESCRIPTION

FIG. 1 is a front, top and left side perspective view of an electrical connector showing my new design; FIG. 2 is a front elevational view thereof; FIG. 3 is a rear elevational view thereof; FIG. 4 is a left side elevational view thereof; FIG. 5 is a right side elevational view thereof; FIG. 6 is a top plan view thereof; and, FIG. 7 is a bottom plan view thereof.

1 Claim, 4 Drawing Sheets



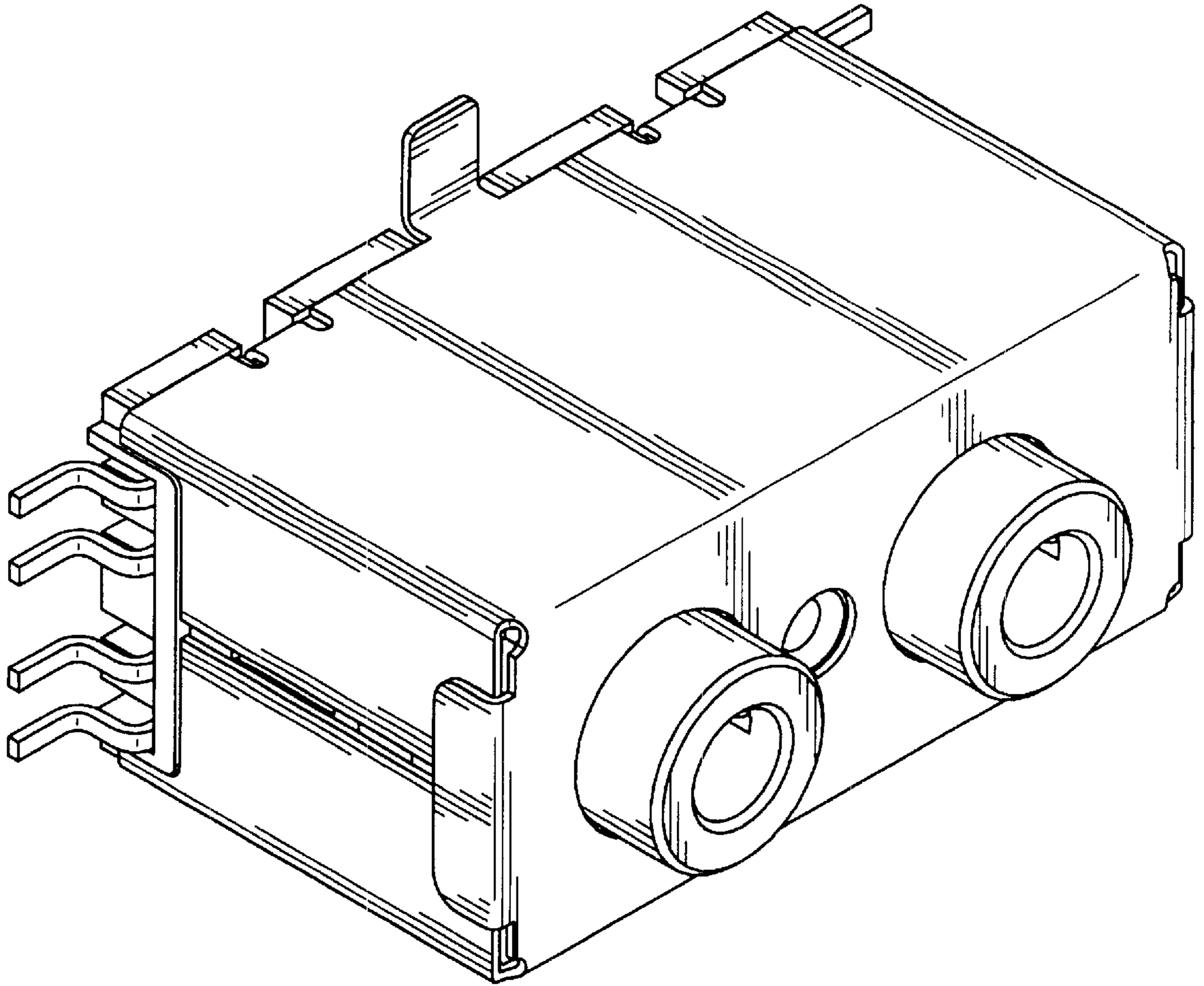


FIG. 1

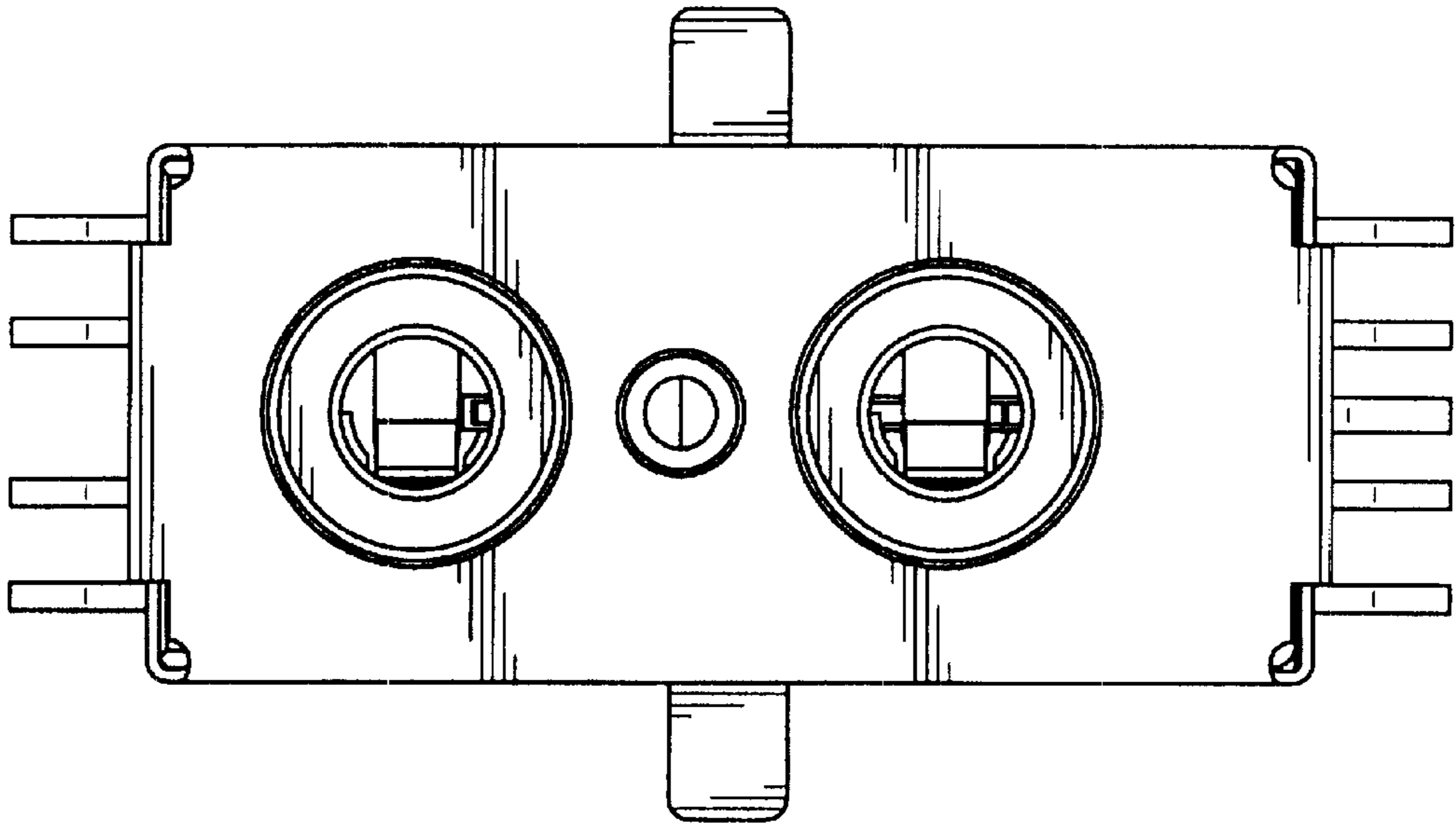


FIG. 2

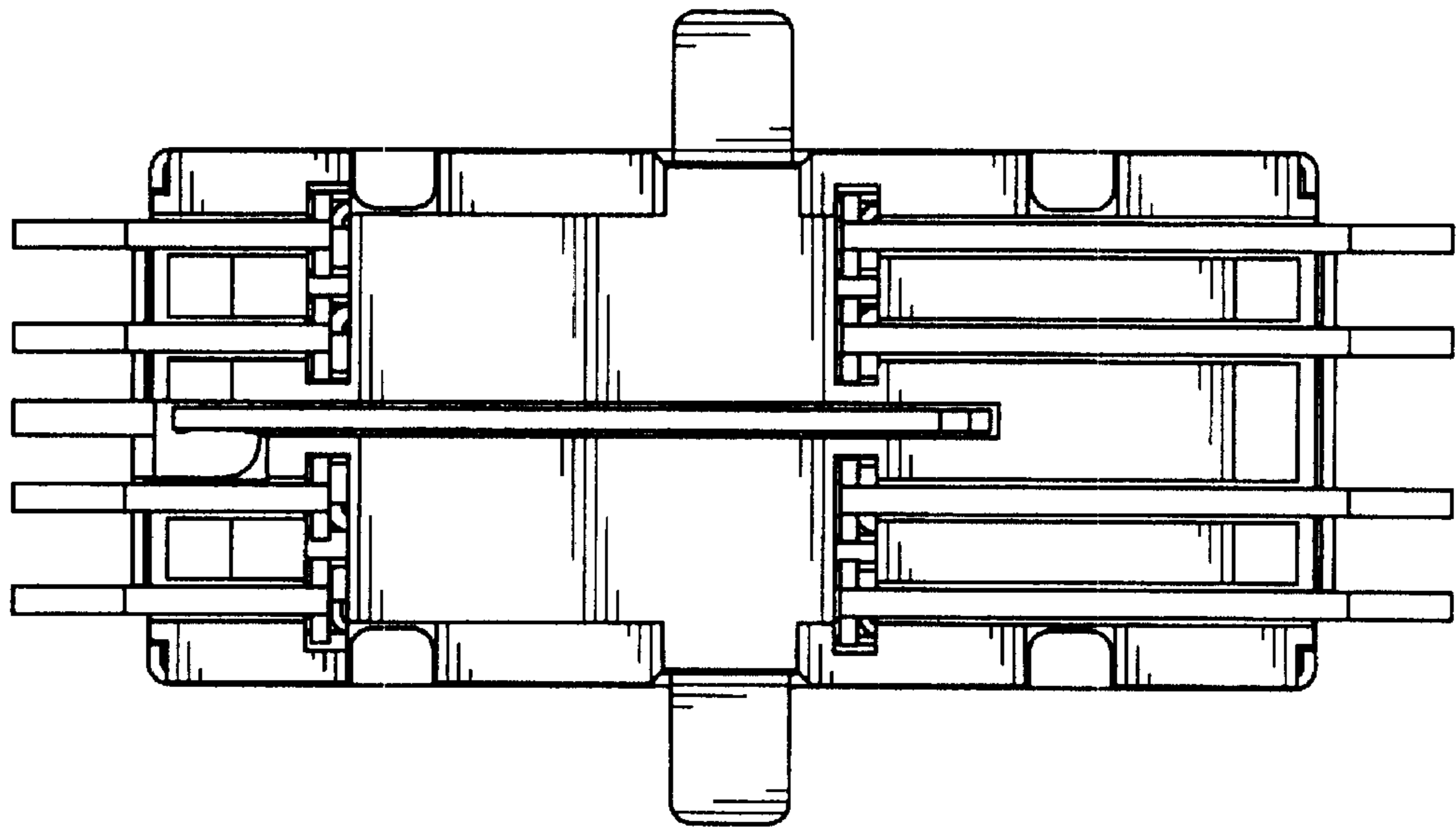


FIG. 3

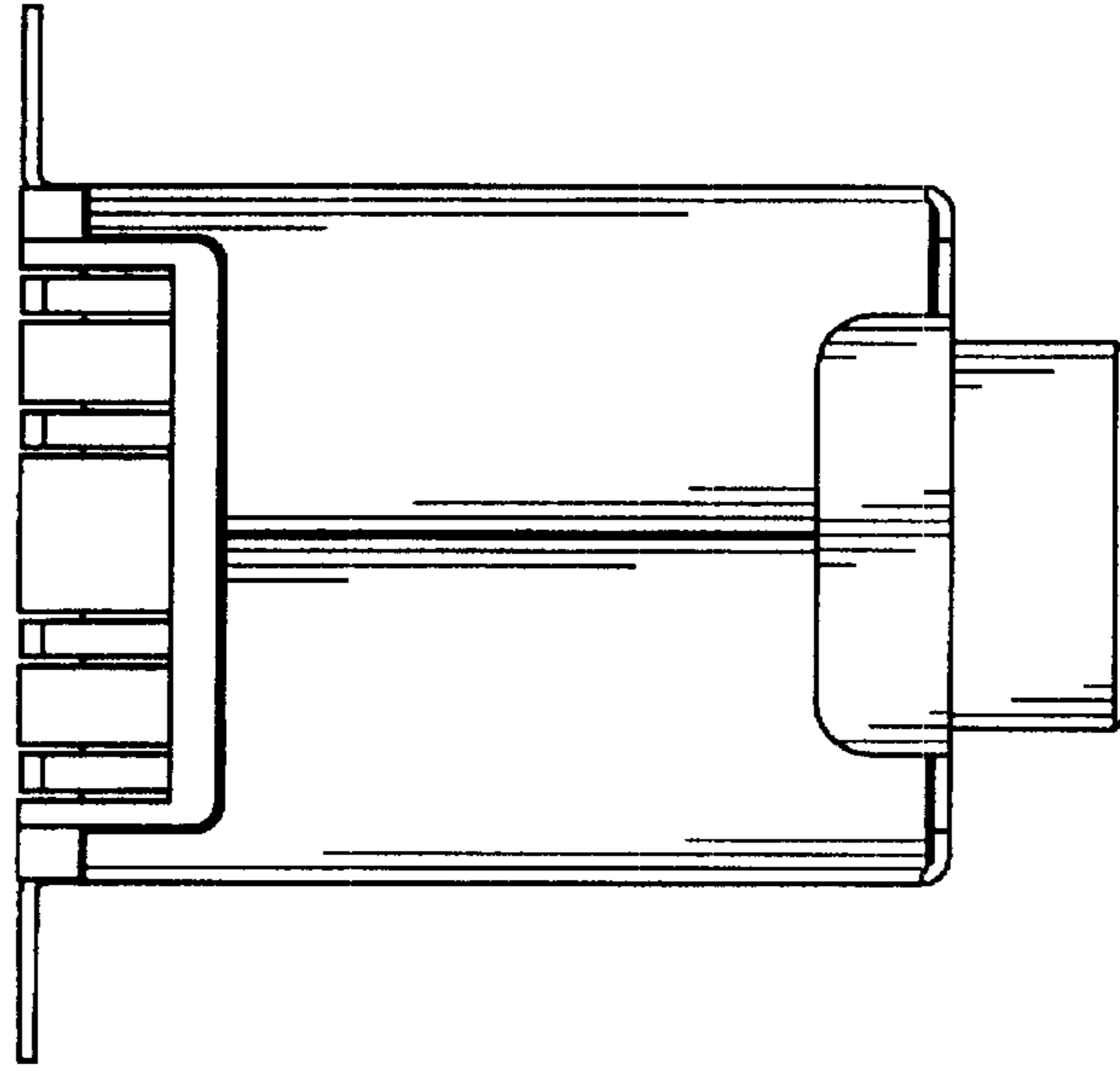


FIG. 4

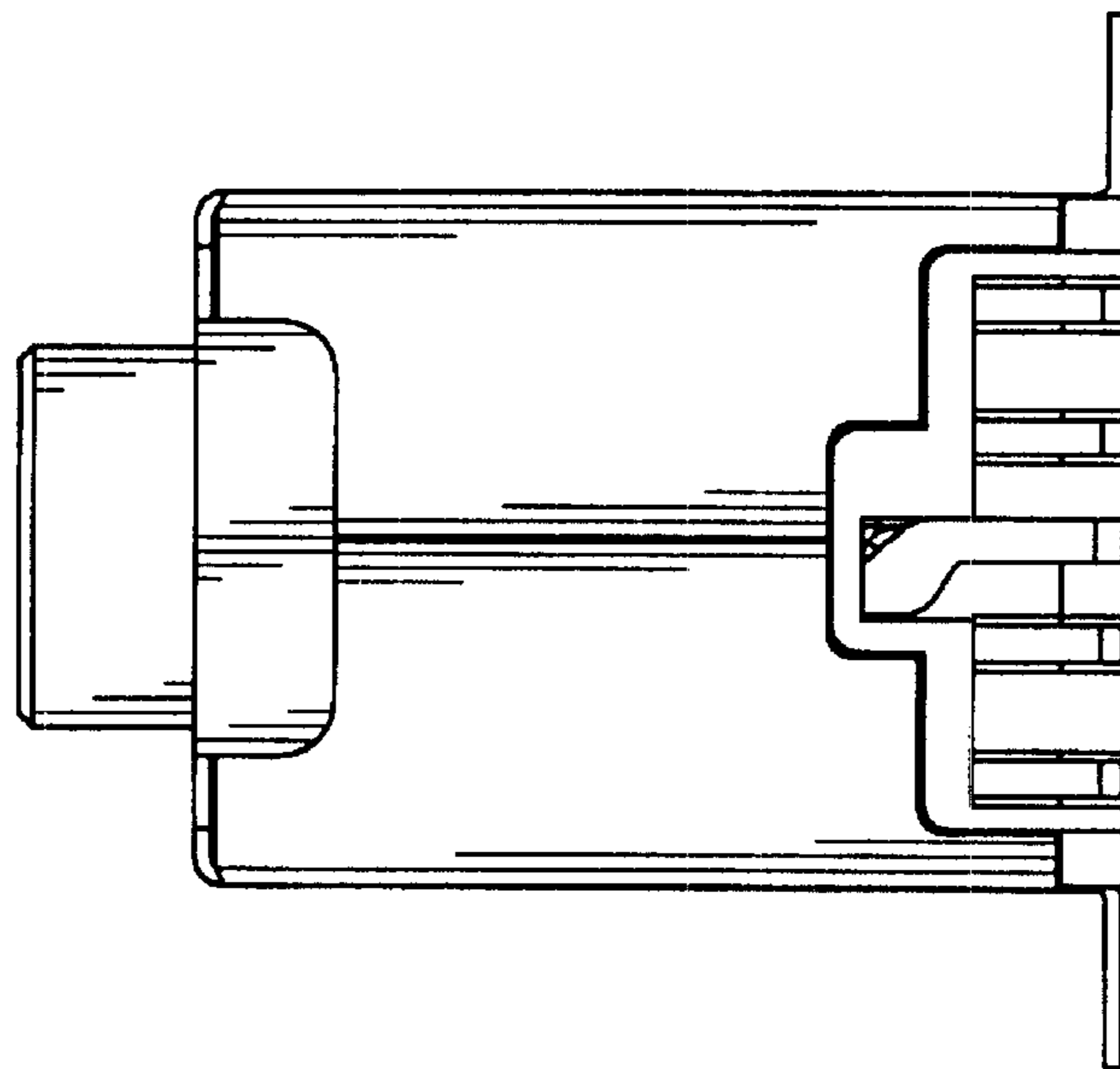


FIG. 5

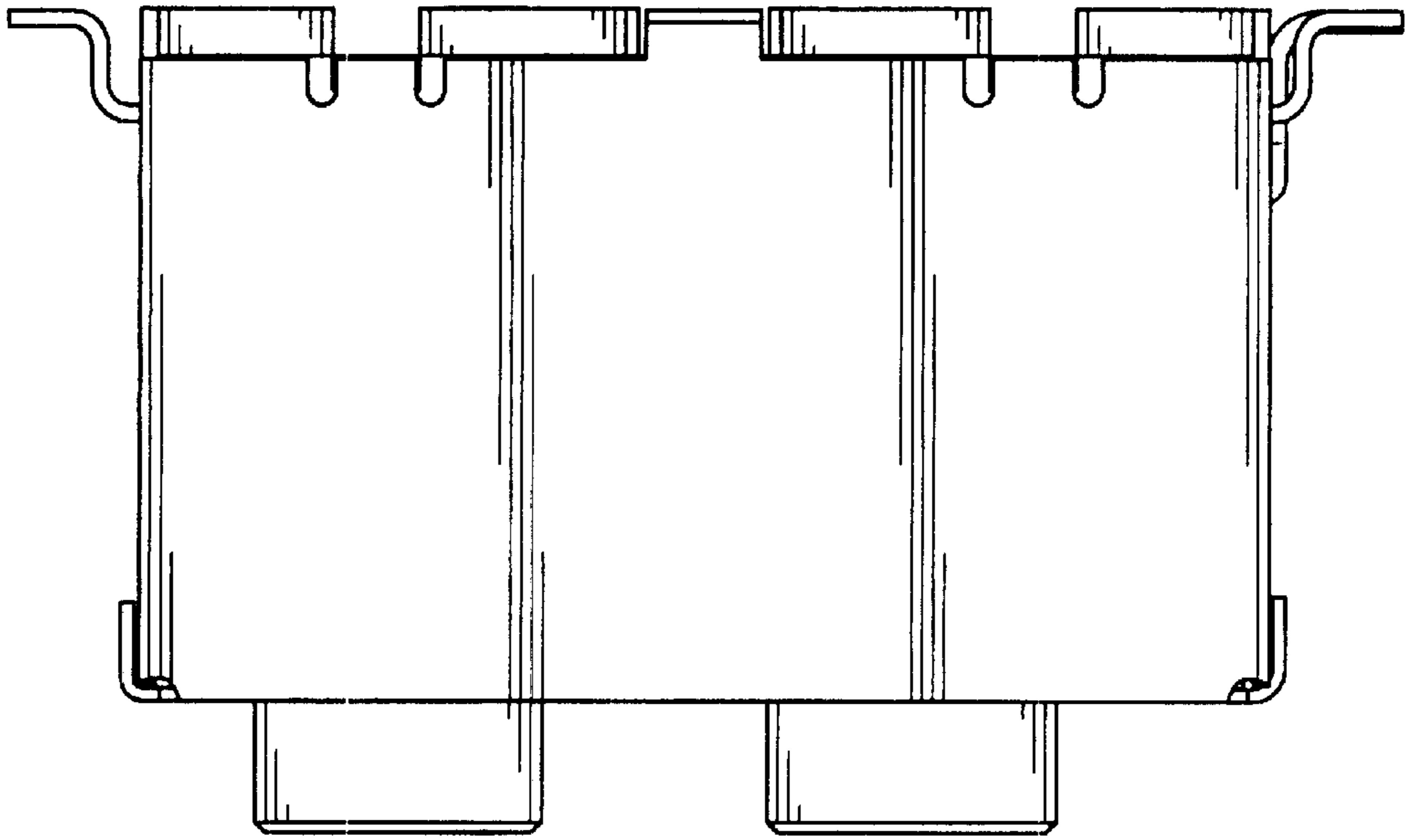


FIG. 6

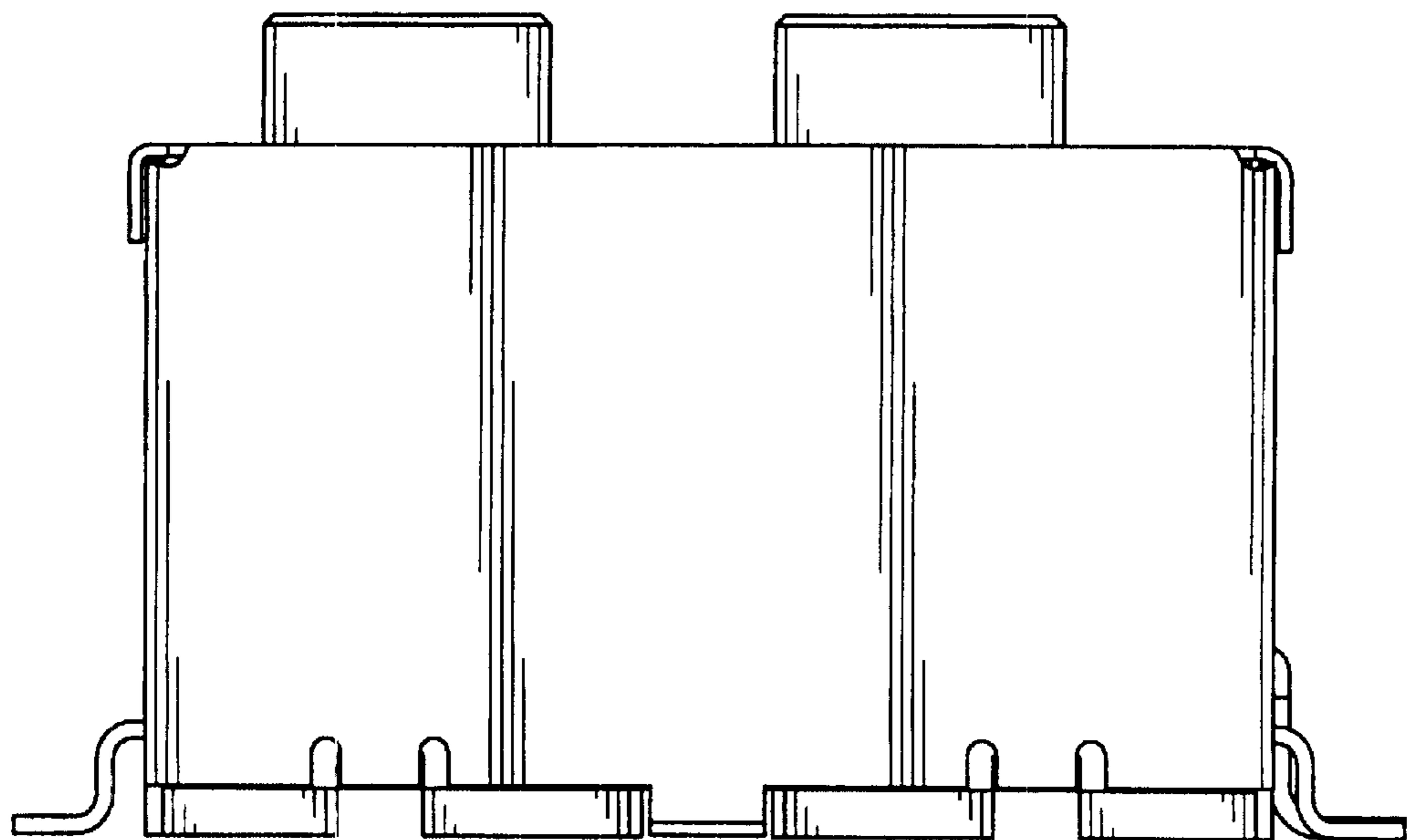


FIG. 7