



US00D467869S

(12) **United States Design Patent**
Ando et al.

(10) **Patent No.:** **US D467,869 S**

(45) **Date of Patent:** **** Dec. 31, 2002**

(54) **PORTION OF POWER CONVERTER**

(75) Inventors: **Masaru Ando**, Kamakura (JP);
Tetsujiro Tsunoda, Saitama (JP);
Kazunari Nishitani, Yokohama (JP);
Yoshikatsu Nagashima, Kawasaki (JP);
Nobuhiro Shingai, Tokyo (JP)

(73) Assignee: **Kabushiki Kaisha Toshiba**, Tokyo (JP)

(**) Term: **14 Years**

(21) Appl. No.: **29/149,978**

(22) Filed: **Oct. 25, 2001**

(30) **Foreign Application Priority Data**

Jun. 19, 2001 (JP) 2001-017830

(51) **LOC (7) Cl.** **13-02**

(52) **U.S. Cl.** **D13/110**

(58) **Field of Search** D13/110, 182;
361/736, 752; 363/37, 141, 144; 257/687,
724; 174/59

(56) **References Cited**

U.S. PATENT DOCUMENTS

3,621,112 A * 11/1971 Stickley et al. 174/50.52
4,899,256 A * 2/1990 Sway-Tin 361/715
D334,171 S * 3/1993 McDonnal D13/110
D340,907 S * 11/1993 Smith et al. D13/110
D364,384 S 11/1995 Tomio et al.
5,471,089 A * 11/1995 Nagatomo et al. 257/691

D387,033 S * 12/1997 Rodriguez D13/110
5,812,387 A * 9/1998 Lu et al. 363/144
D421,968 S * 3/2000 Matsumura D13/182
D426,522 S * 6/2000 Matsumura D13/182
6,091,604 A * 7/2000 Plougsgaard et al. ... 363/141 X
D432,504 S * 10/2000 Matsumura D13/182

FOREIGN PATENT DOCUMENTS

JP 982732 6/1997

* cited by examiner

Primary Examiner—Joel Sincavage

(74) *Attorney, Agent, or Firm*—Oblon, Spivak, McClelland,
Maier & Neustadt, P.C.

(57) **CLAIM**

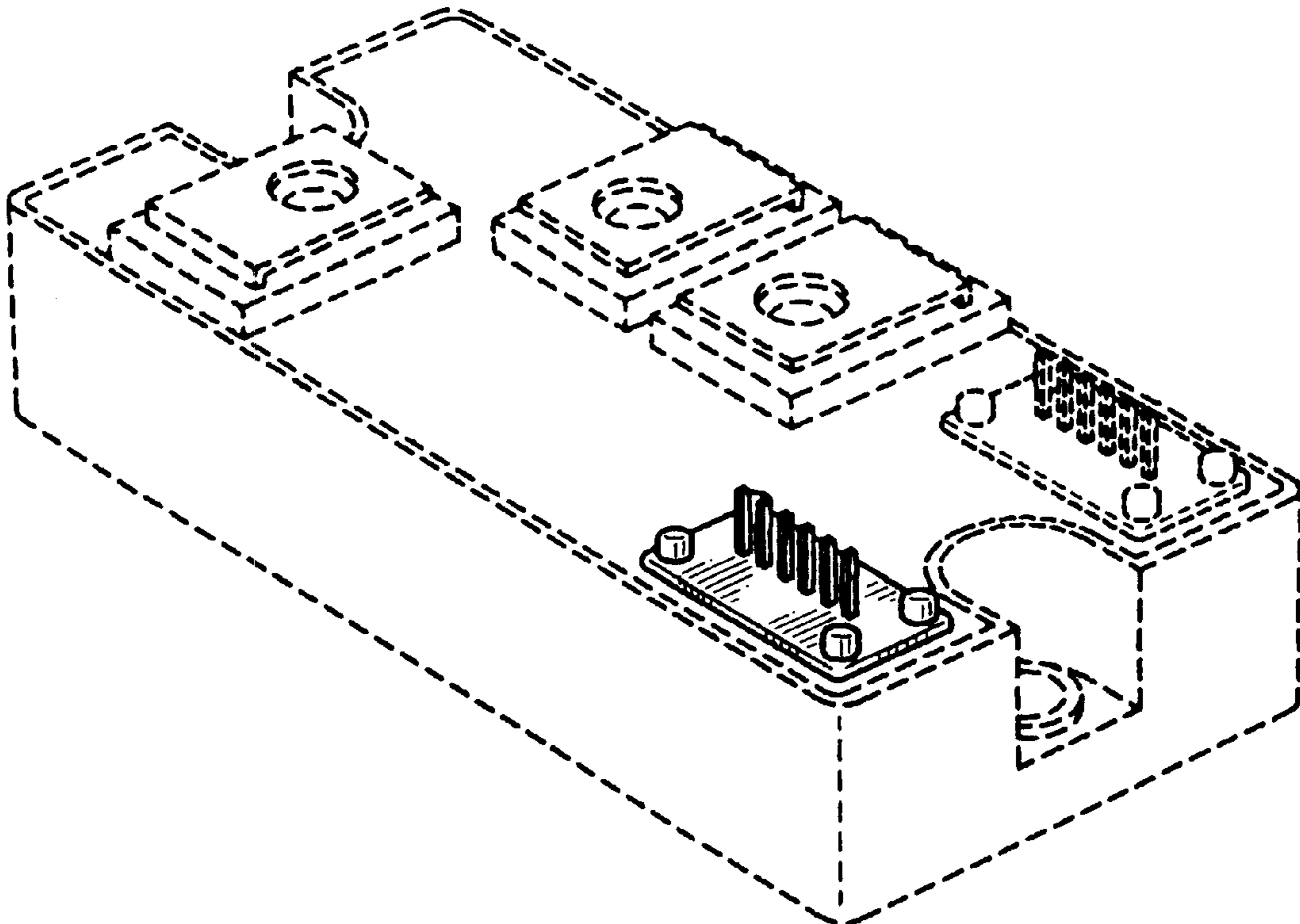
The ornamental design for a portion of power converter, as shown and described.

DESCRIPTION

FIG. 1 is a front, top and right side perspective view of a portion of a power converter, showing our new design; FIG. 2 is a top plan view thereof; FIG. 3 is a front elevational view thereof; FIG. 4 is a right side elevational view thereof; FIG. 5 is a left side elevational view thereof; FIG. 6 is a rear elevational view thereof; and, FIG. 7 is a bottom plan view.

The broken lines are for illustrative only and form no part of the claimed design.

1 Claim, 2 Drawing Sheets



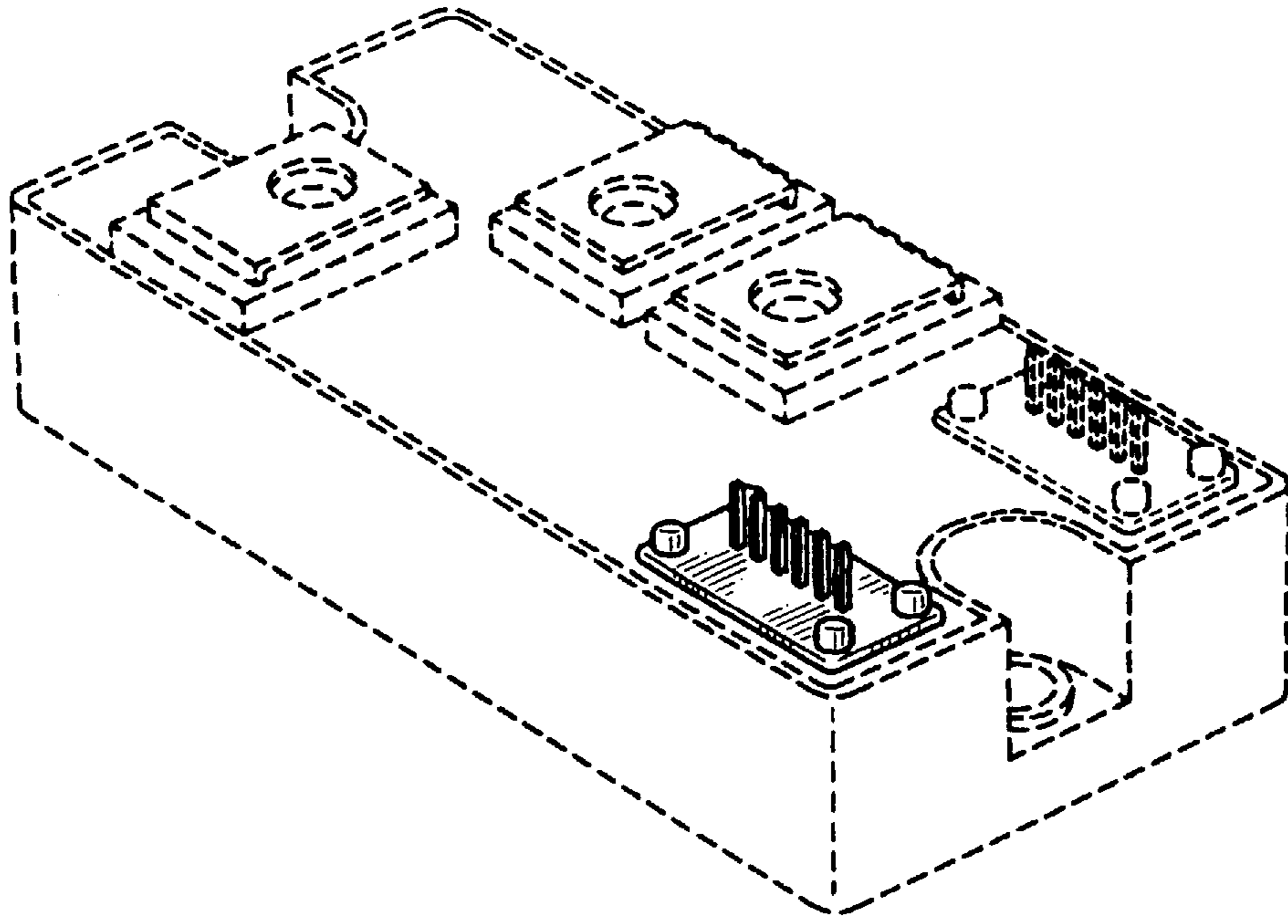


Fig. 1

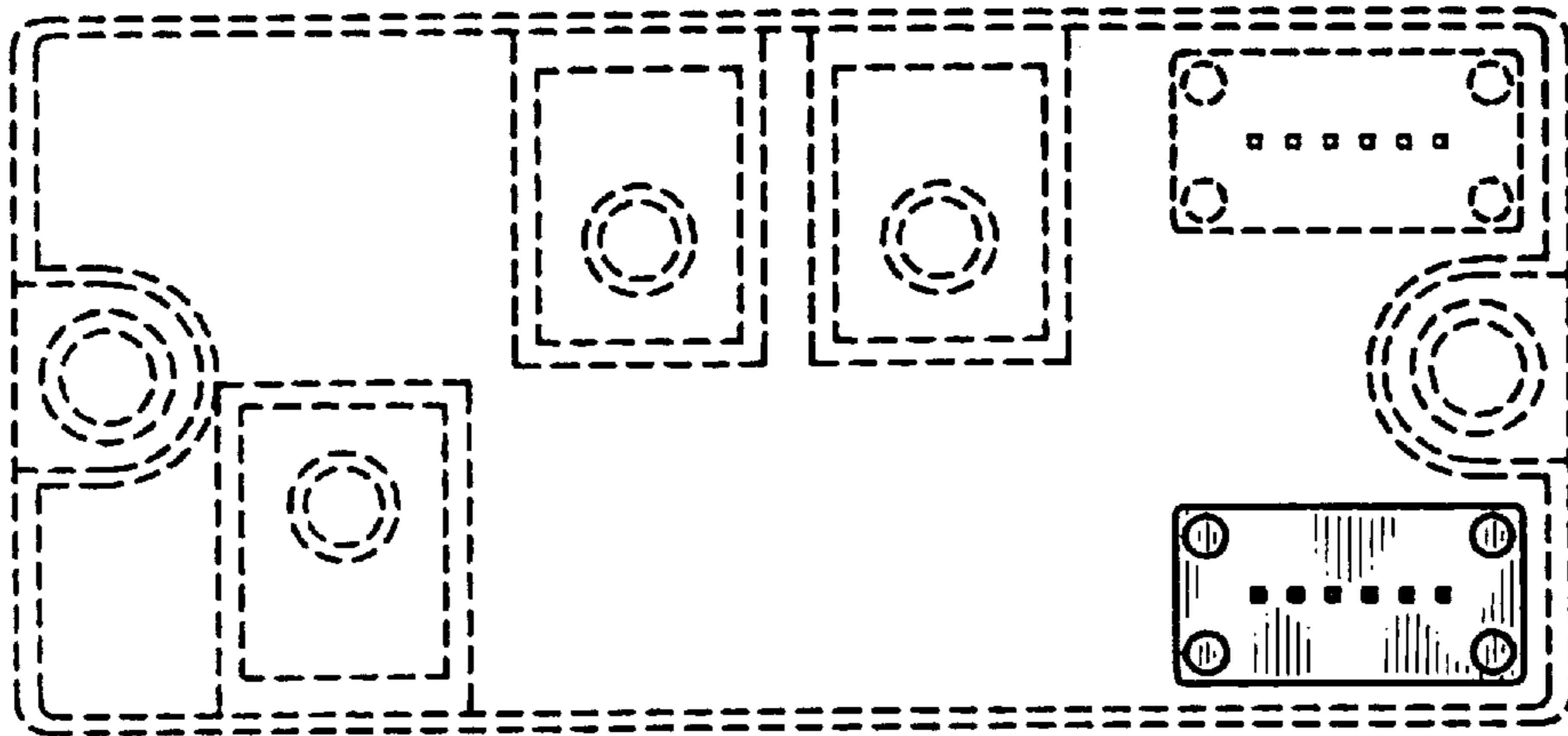


Fig. 2

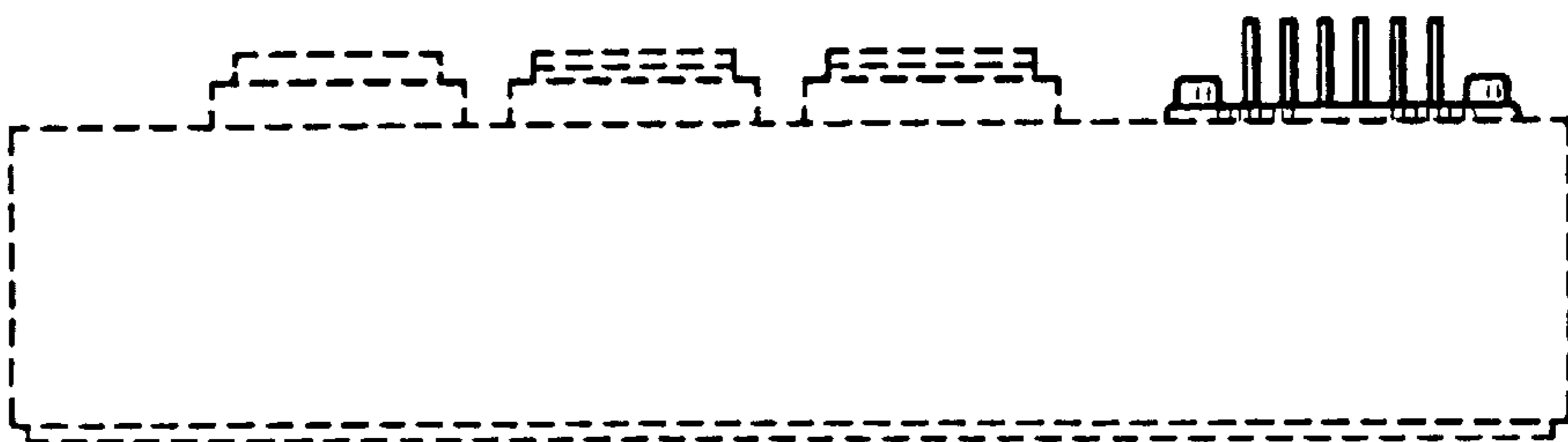


Fig. 3

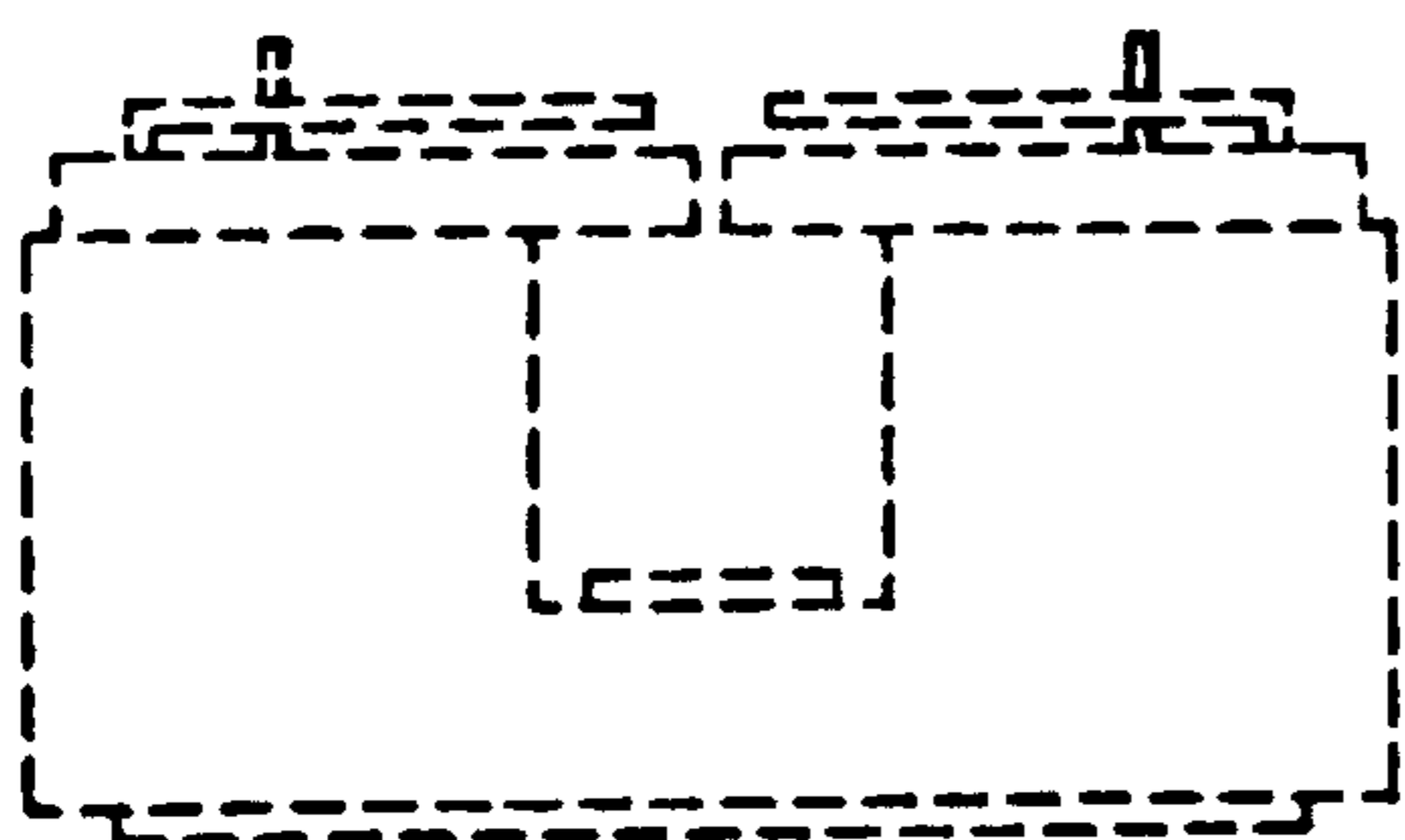


Fig. 5

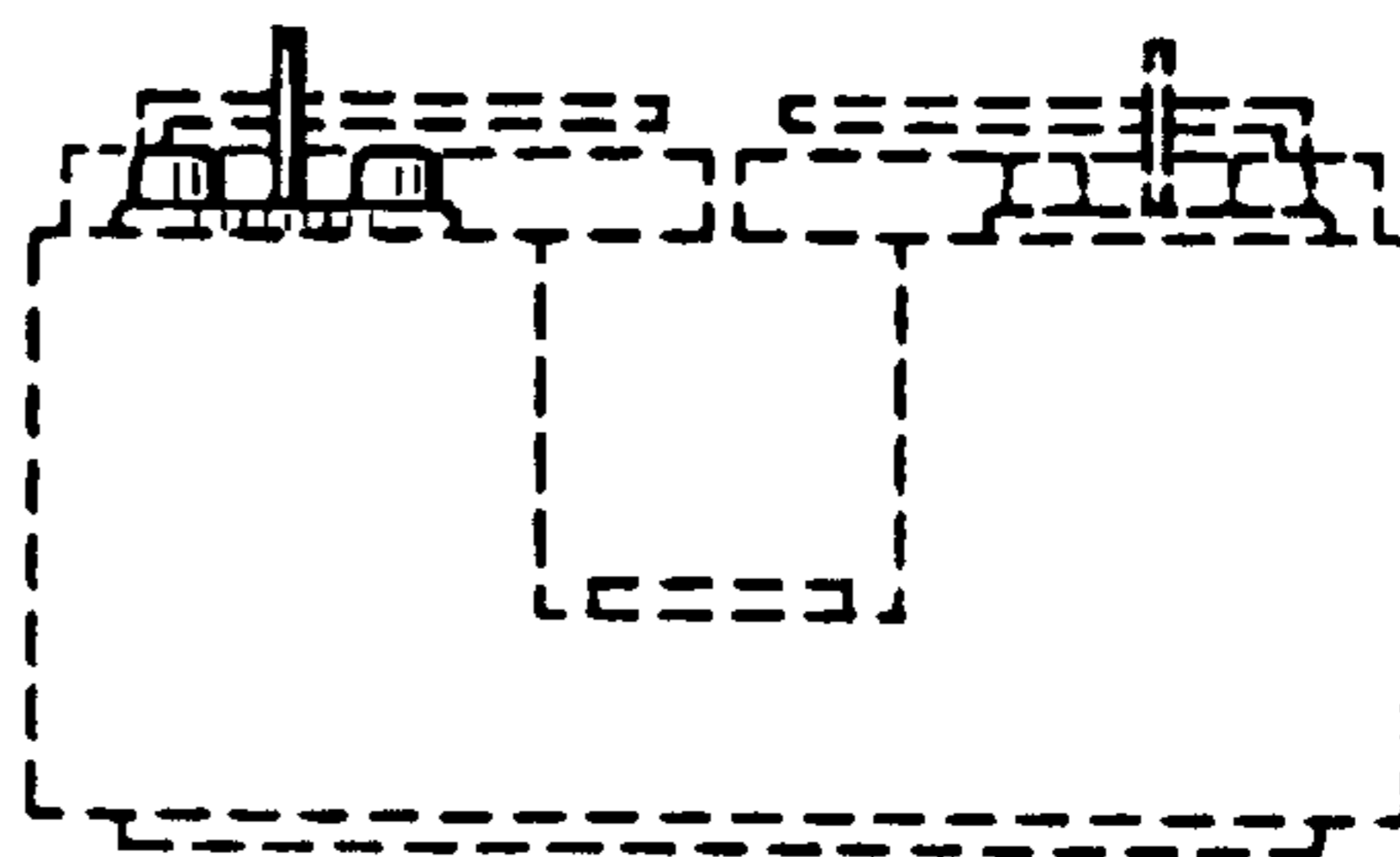


Fig. 4

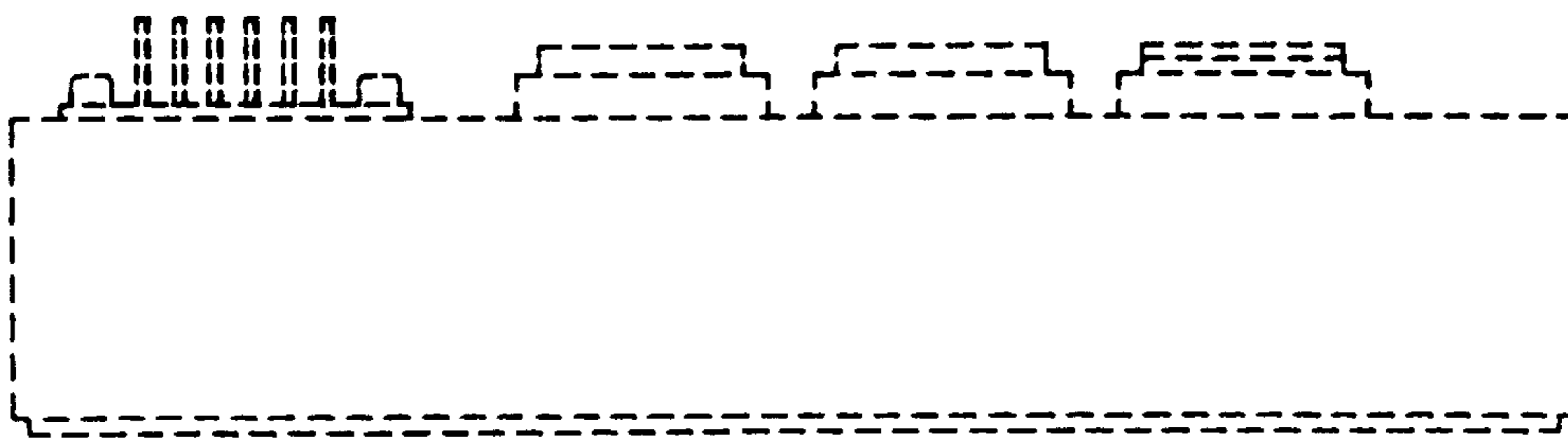


Fig. 6

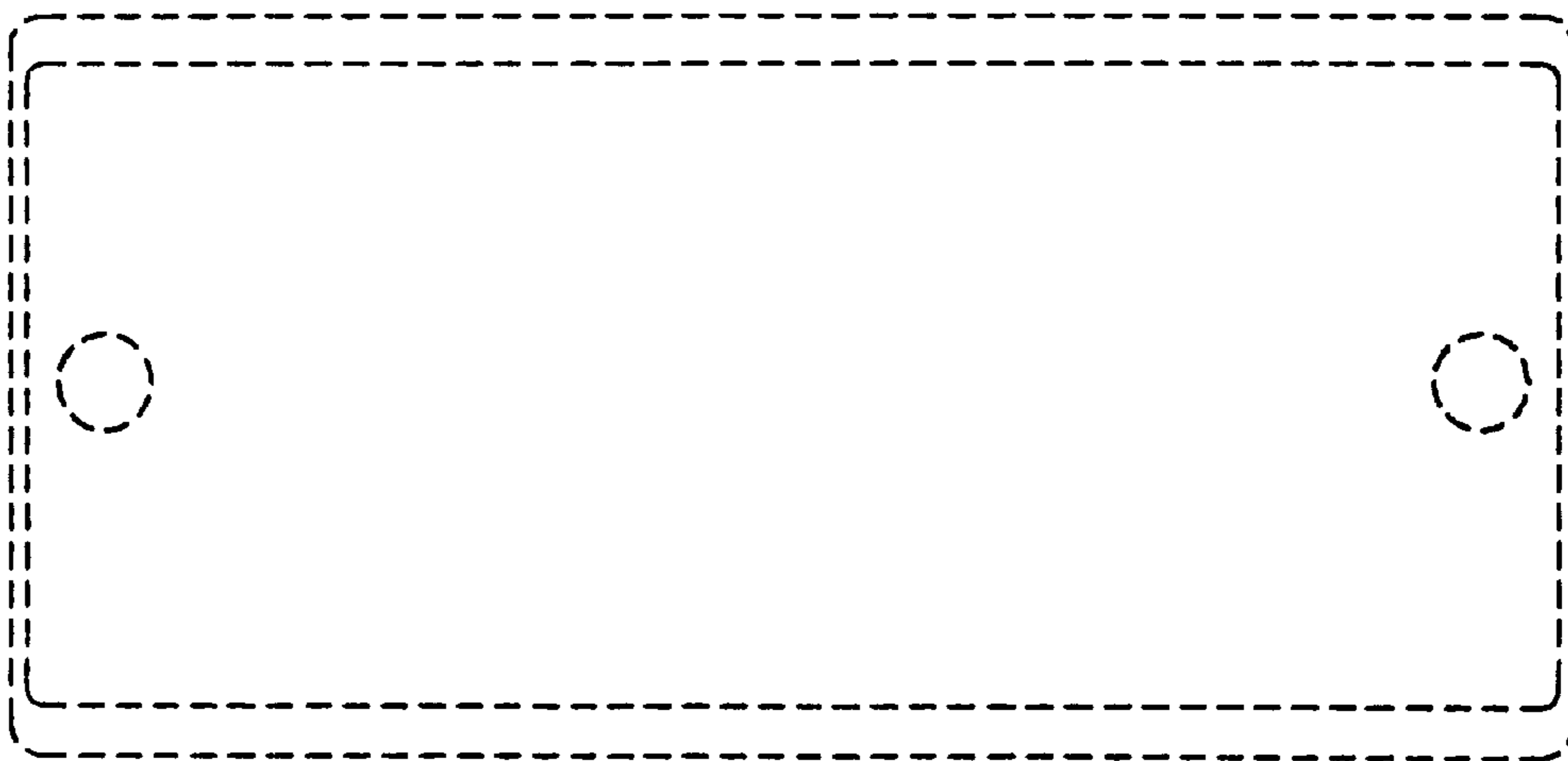


Fig. 7

UNITED STATES PATENT AND TRADEMARK OFFICE
CERTIFICATE OF CORRECTION

PATENT NO. : Des. 467,869 S
DATED : December 31, 2002
INVENTOR(S) : Ando et al.

Page 1 of 1

It is certified that error appears in the above-identified patent and that said Letters Patent is hereby corrected as shown below:

Title page,

Item [75], Inventors, should read:

-- [75] Inventors: **Masaru Ando**, Kamakura (JP);
 Tetsujiro Tsunoda, Saitama (JP);
 Kazunobu Nishitani, Yokohama (JP);
 Yoshikatsu Nagashima, Kawasaki (JP);
 Nobuhiro Shingai, Tokyo (JP) --

Signed and Sealed this

Twenty-seventh Day of May, 2003

A handwritten signature in black ink, appearing to read 'James E. Rogan', written over a horizontal line.

JAMES E. ROGAN
Director of the United States Patent and Trademark Office