



US00D467862S

(12) **United States Design Patent**
Jenkins

(10) **Patent No.:** **US D467,862 S**

(45) **Date of Patent:** **** Dec. 31, 2002**

(54) **PICKUP TRUCK CARGO RESTRAINT**

(76) **Inventor:** **Victor W. Jenkins, HC-62, Box 645A, Aragon, NM (US) 87820**

(**) **Term:** **14 Years**

(21) **Appl. No.:** **29/156,698**

(22) **Filed:** **Mar. 5, 2002**

(51) **LOC (7) Cl.** **12-16**

(52) **U.S. Cl.** **D12/414**

(58) **Field of Search** D12/406, 412, D12/414, 414.1, 426; 296/3, 26, 50, 24.1-24.2, 180.1, 56-60; 410/139, 141-144, 151, 129-130, 145, 108-110; 280/727

(56) **References Cited**

U.S. PATENT DOCUMENTS

D206,654 S	*	1/1967	Smith	D12/414
4,405,170 A		9/1983	Raya	296/10
4,611,824 A		9/1986	McIntosh	280/748
D300,734 S	*	4/1989	Kruitbosch	D12/414
4,867,497 A		9/1989	Jayne	296/3
D306,003 S		2/1990	Berkan, Jr.	D12/155
D326,076 S	*	5/1992	Wiese	D12/414
D363,460 S		10/1995	Marshall	D12/406
D365,323 S	*	12/1995	Napierkowski et al.	D12/414

5,553,762 A		9/1996	Brown	224/403
D392,938 S	*	3/1998	Sylvester	D12/426
D393,622 S	*	4/1998	Goertzen	D12/426
5,827,023 A		10/1998	Stull	410/110
6,179,181 B1		1/2001	Johnson et al.	224/405
6,196,602 B1		3/2001	Esplin	296/3

* cited by examiner

Primary Examiner—Stacia Cadmus

(74) *Attorney, Agent, or Firm*—Rod D. Baker

(57) **CLAIM**

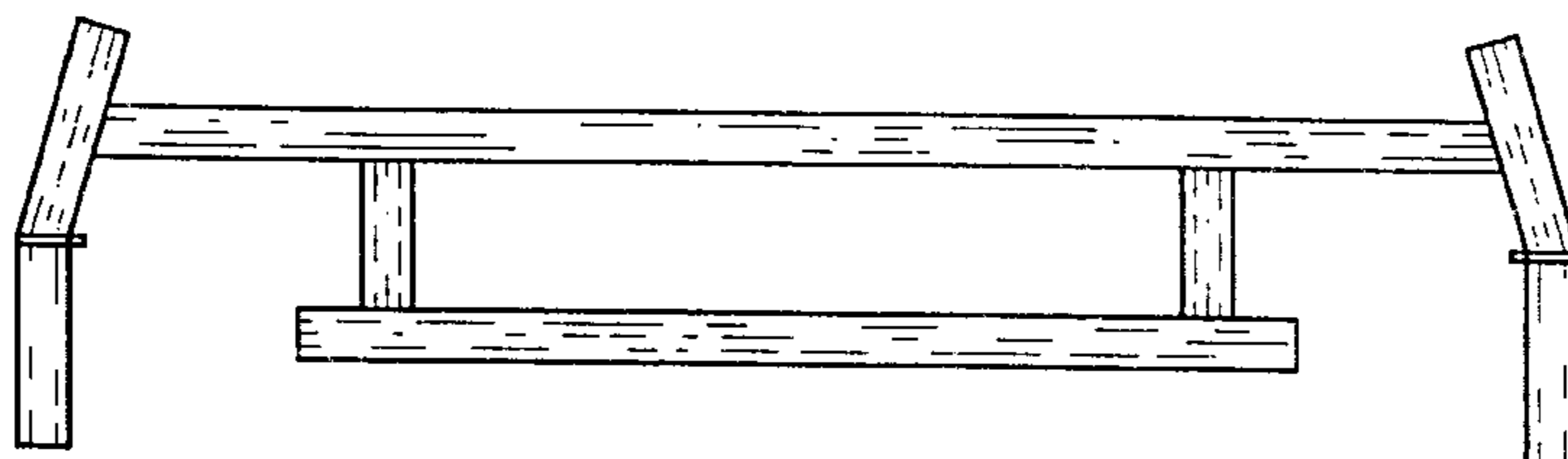
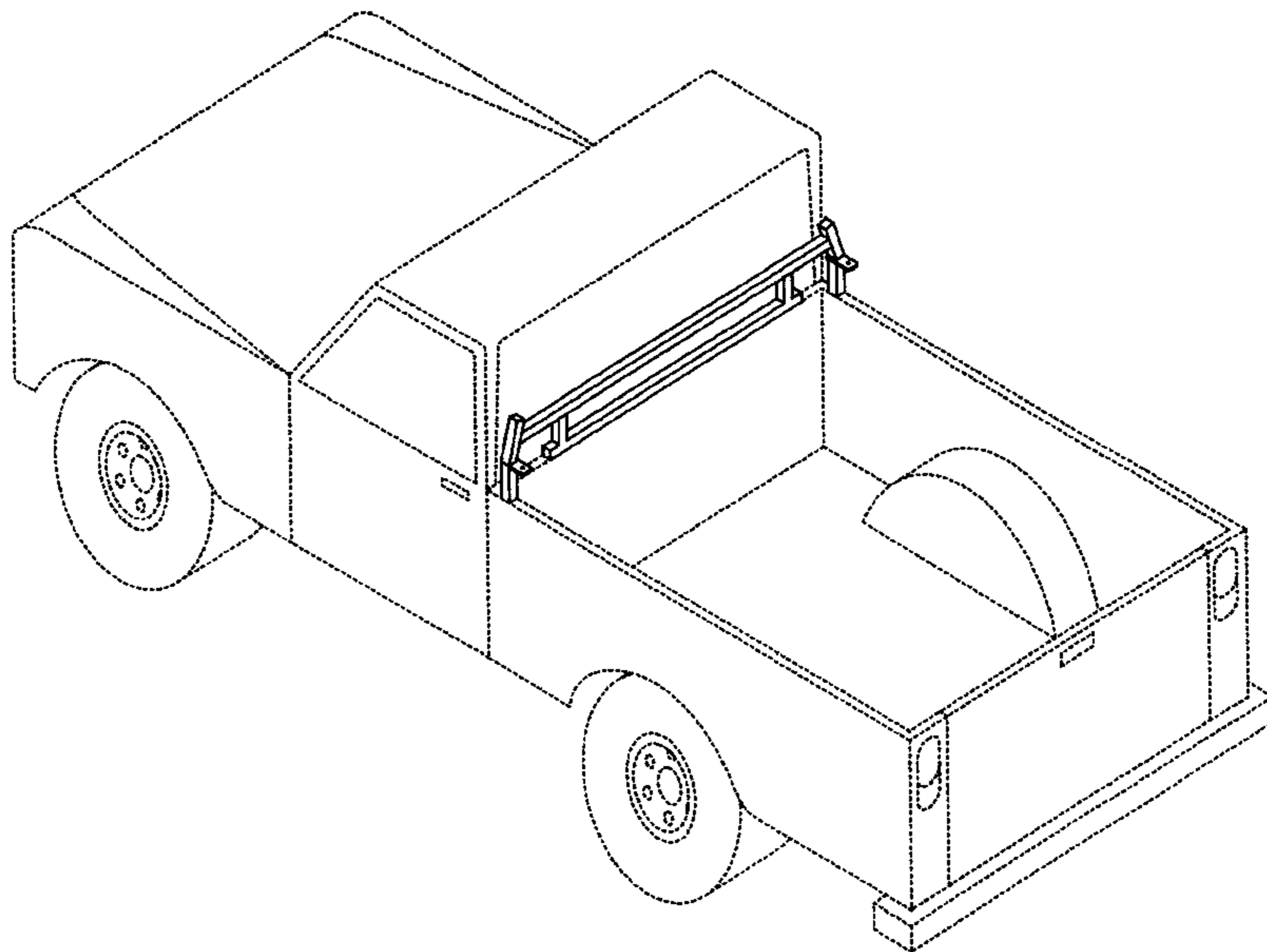
The ornamental design for a pickup truck cargo restraint, as shown and described.

DESCRIPTION

FIG. 1 is a perspective view, from behind and above, of a pickup truck cargo restraint embodying my new design; FIG. 2 is an enlarged front elevation view thereof; FIG. 3 is an enlarged rear elevation view thereof; FIG. 4 is an enlarged right side elevation view thereof; and FIG. 5 is an enlarged top plan view thereof; and, FIG. 6 is an enlarged bottom view thereof.

The broken line showing of the outline of a pickup truck is for illustrative purposes only and forms no part of the claimed design.

1 Claim, 3 Drawing Sheets



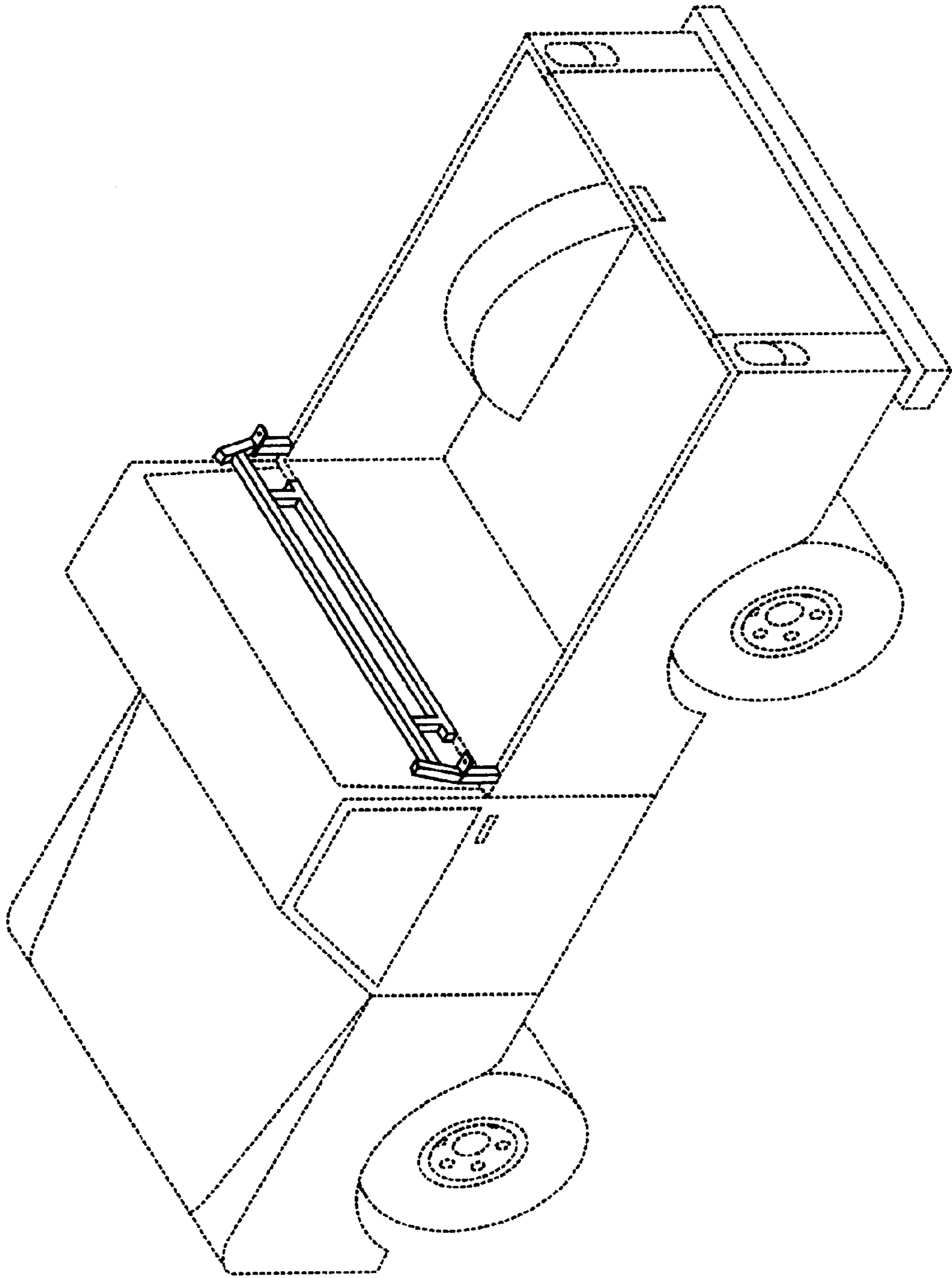


FIG. 1

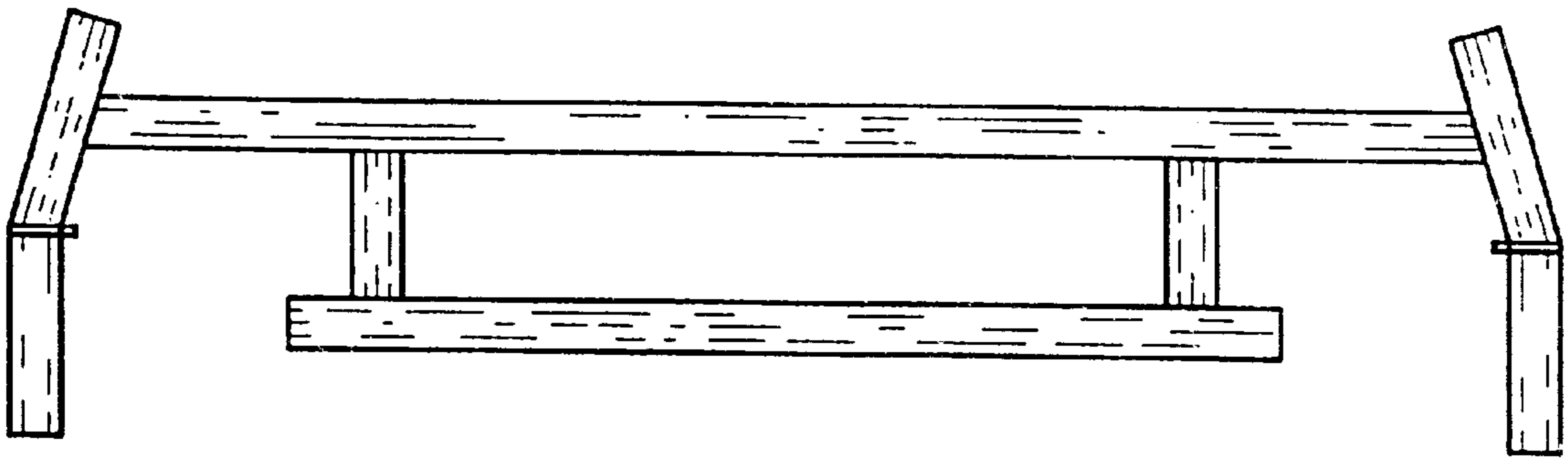


FIG. 2

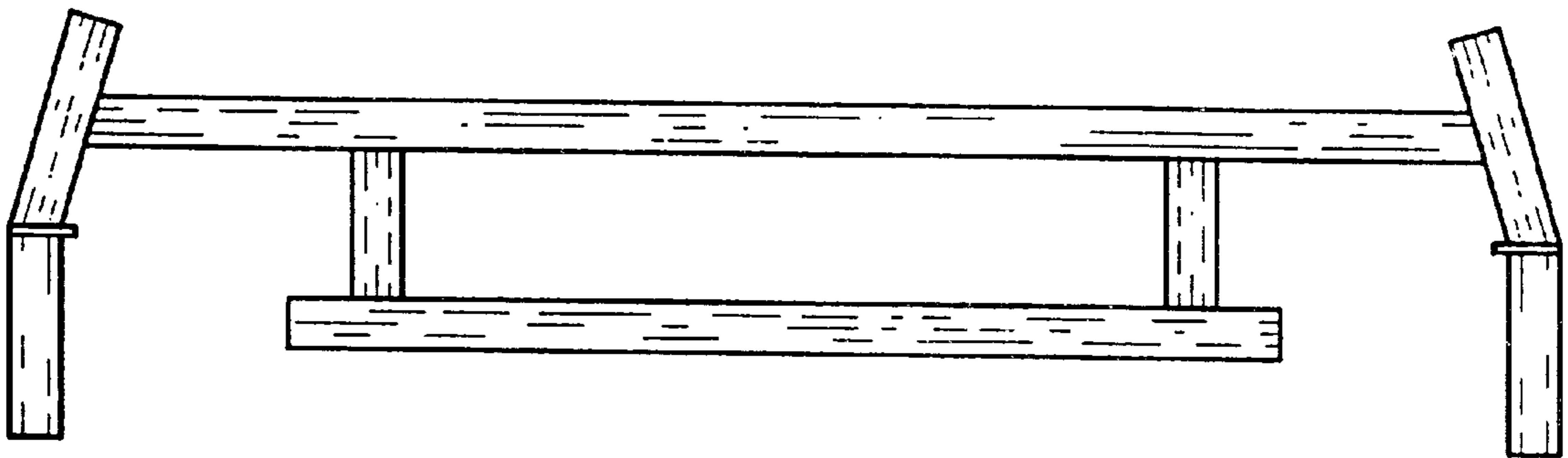


FIG. 3

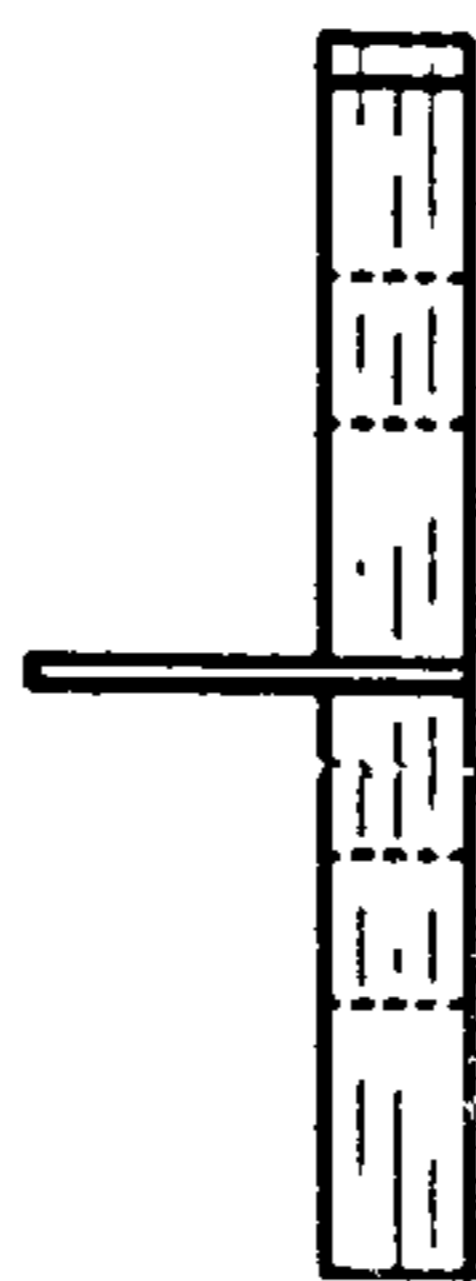


FIG. 4

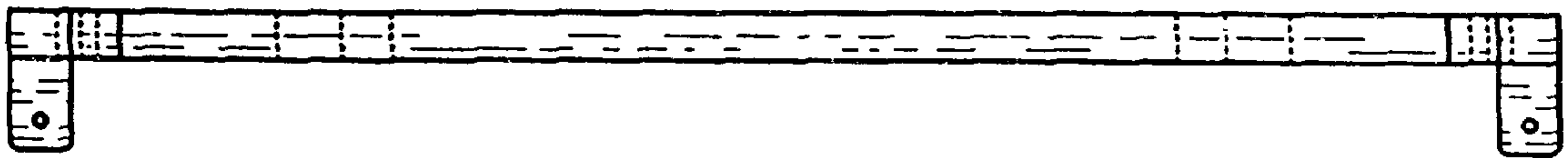


FIG. 5

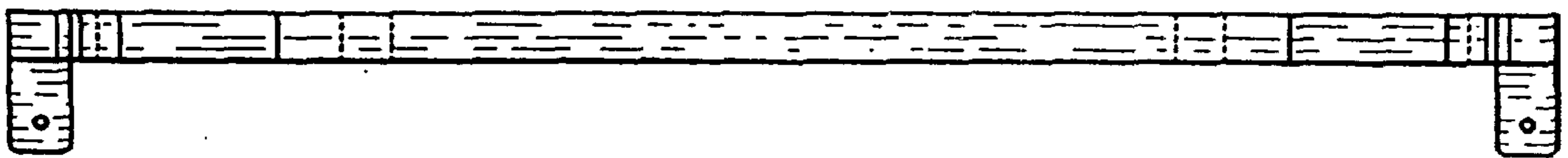


FIG. 6