



US00D467861S

(12) **United States Design Patent**
Lee

(10) **Patent No.:** **US D467,861 S**

(45) **Date of Patent:** **** Dec. 31, 2002**

(54) **HELICOPTER**

D406,810 S * 3/1999 Lai D12/326

(75) Inventor: **Won Hak Lee**, Everett, WA (US)

* cited by examiner

(73) Assignee: **General Helicopter, Inc.**, Snohomish, WA (US)

Primary Examiner—Marcus A. Jackson
(74) *Attorney, Agent, or Firm*—Dean A. Craine

(**) Term: **14 Years**

(57) **CLAIM**

(21) Appl. No.: **29/150,595**

The ornamental design for a helicopter, as shown and described.

(22) Filed: **Nov. 6, 2001**

DESCRIPTION

(51) **LOC (7) Cl.** **12-12**

(52) **U.S. Cl.** **D12/326**

(58) **Field of Search** D12/326, 327,
D12/319, 328, 329; 224/17.19, 17.21, 17.15,
17.11; D21/301

FIG. 1 is a right side elevational view of a helicopter showing my new design.

FIG. 2 is a left side elevational view thereof.

FIG. 3 is a top plan view thereof.

FIG. 4 is a bottom plan view thereof.

FIG. 5 is a front elevational view thereof; and,

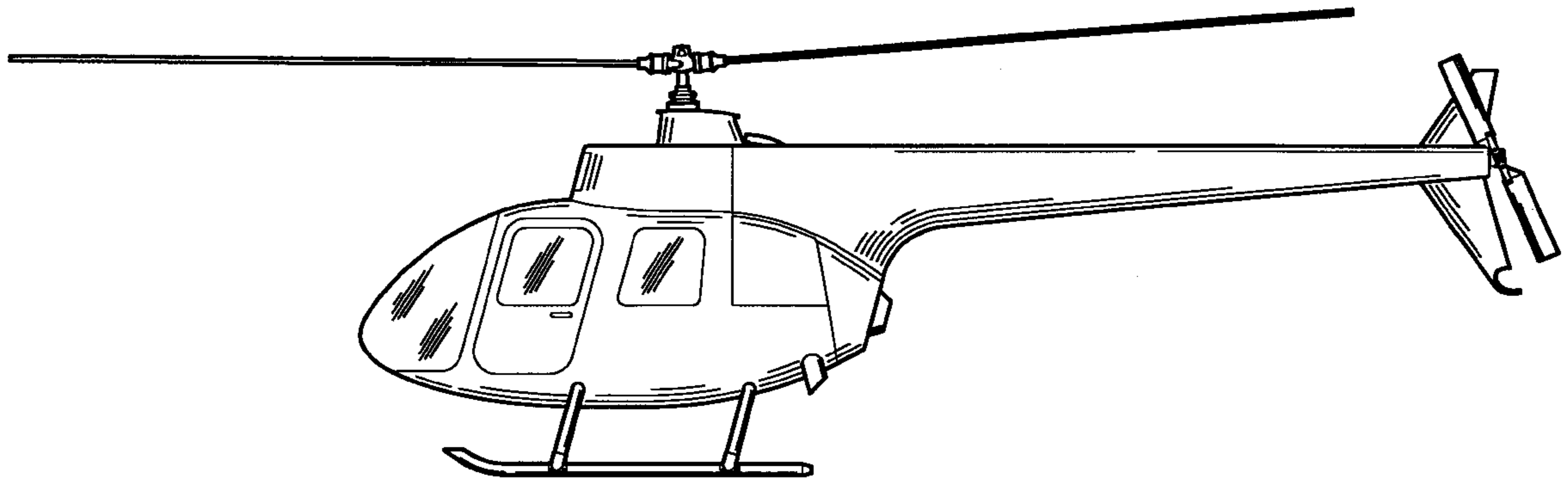
FIG. 6 is a rear elevational view thereof.

(56) **References Cited**

U.S. PATENT DOCUMENTS

D363,054 S * 10/1995 Taylor et al. D12/326

1 Claim, 5 Drawing Sheets



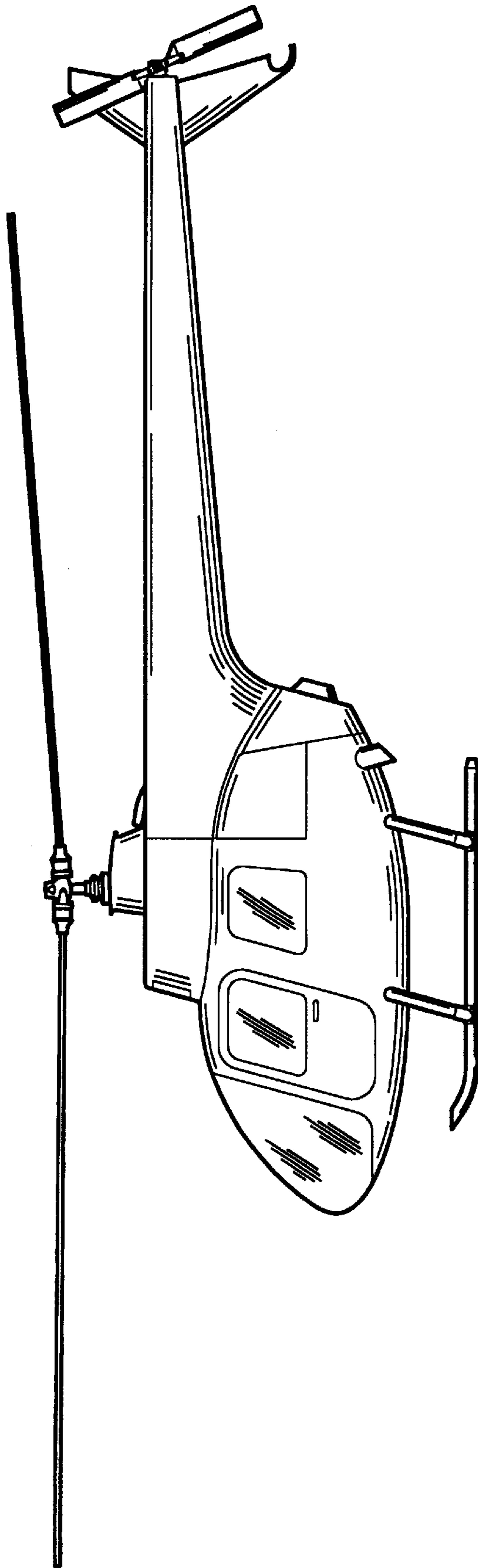


FIG.1

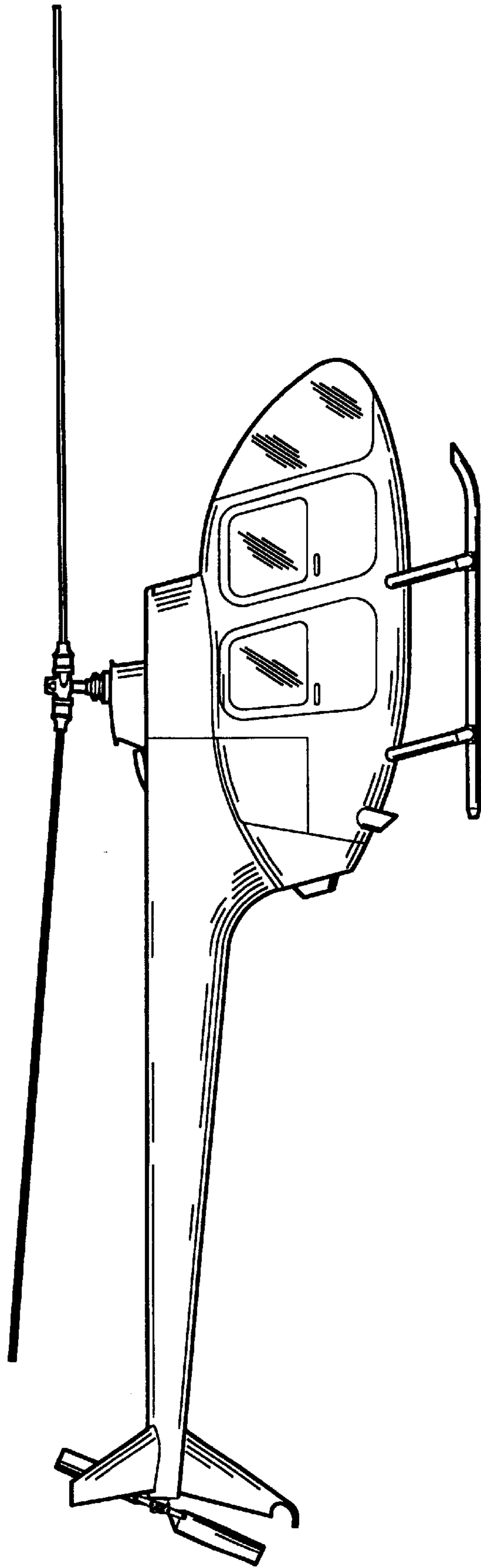


FIG.2

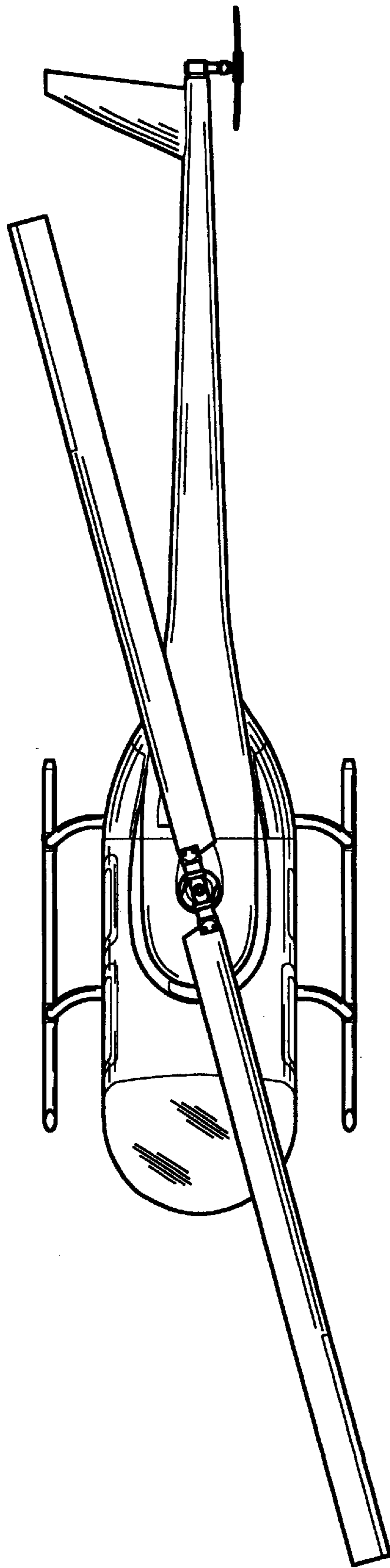


FIG.3

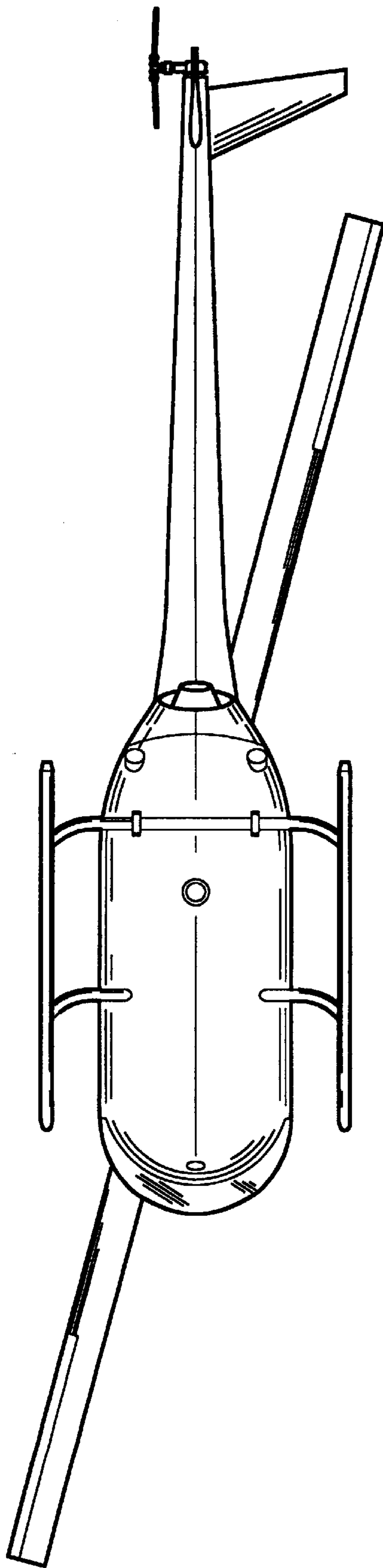


FIG.4

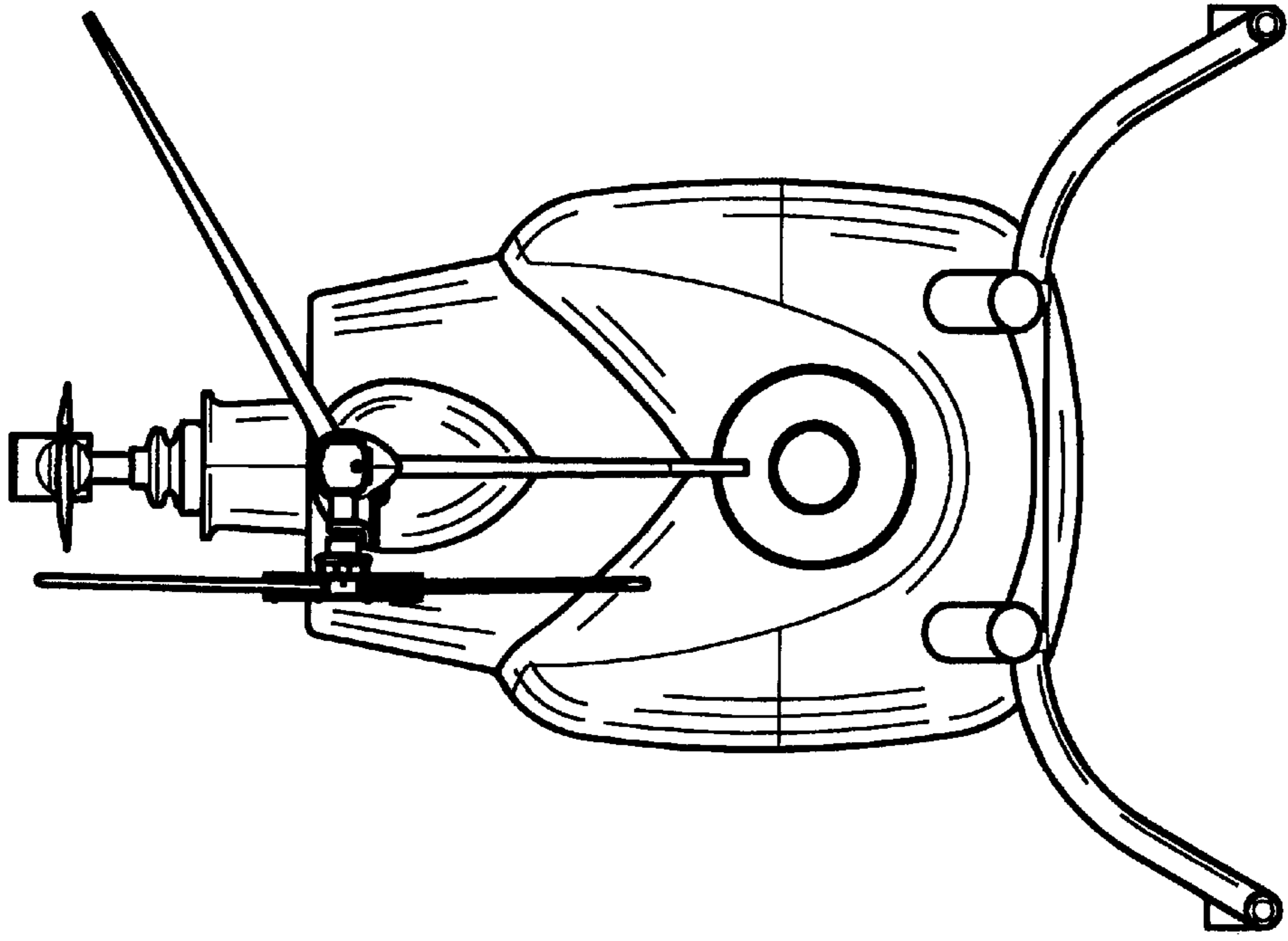


FIG. 6

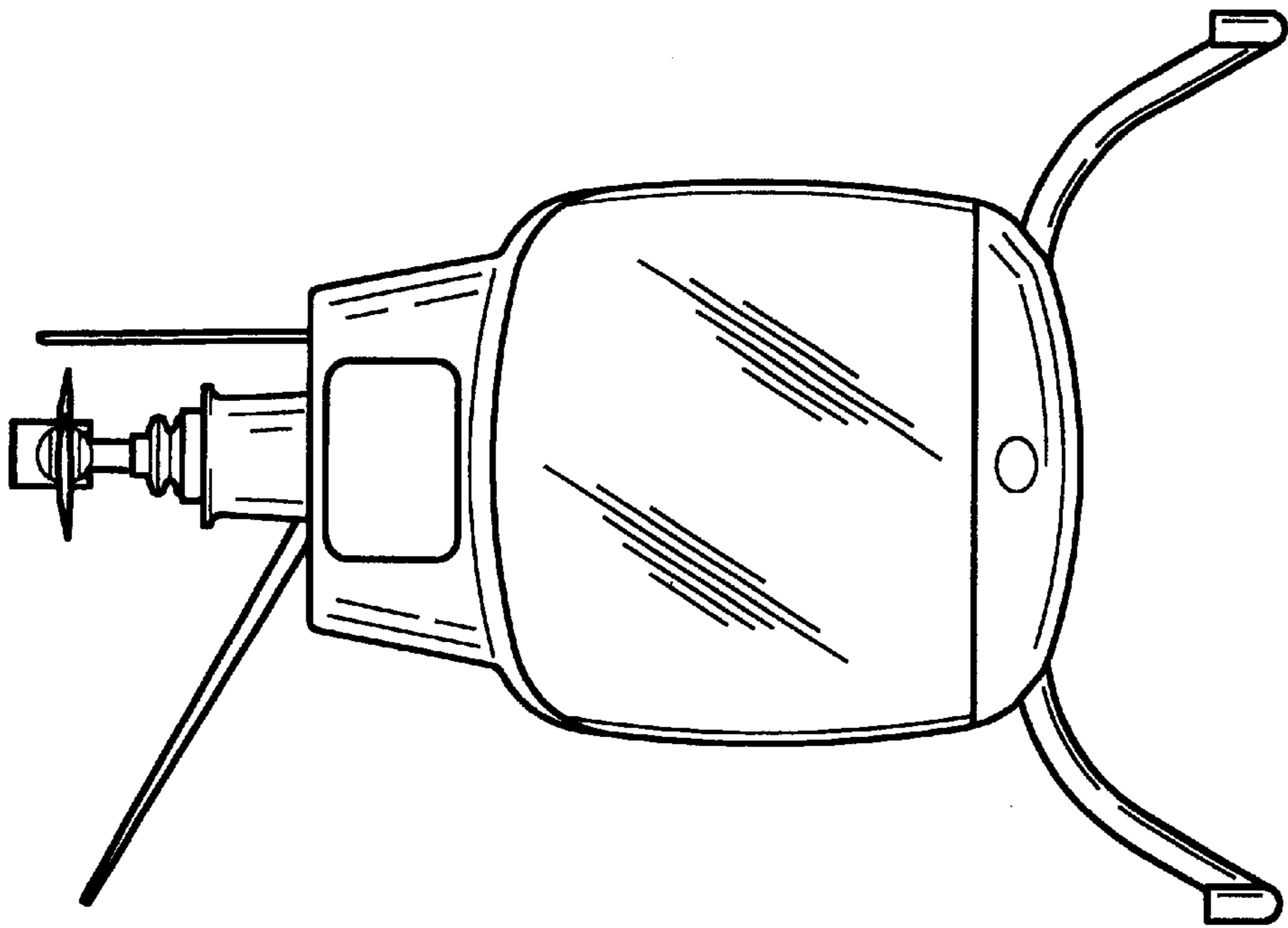


FIG. 5