



US00D467856S

(12) **United States Design Patent**
Pfeiffer

(10) **Patent No.:** **US D467,856 S**

(45) **Date of Patent:** **** Dec. 31, 2002**

(54) **FRONT FACE OF A VEHICLE WHEEL**

(75) **Inventor:** **Peter Pfeiffer**, Boeblingen (DE)

(73) **Assignee:** **DaimlerChrysler AG**, Stuttgart (DE)

(**) **Term:** **14 Years**

(21) **Appl. No.:** **29/144,676**

(22) **Filed:** **Jul. 10, 2001**

(30) **Foreign Application Priority Data**

Jan. 11, 2001 (DE) 4 01 00 125

(51) **LOC (7) Cl.** **12-16**

(52) **U.S. Cl.** **D12/209**

(58) **Field of Search** D12/204-211;
301/37.101, 64.101, 65

(56) **References Cited**

U.S. PATENT DOCUMENTS

D370,883 S	*	6/1996	Bhambra	D12/209
D377,471 S	*	1/1997	Stach	D12/209
D392,237 S	*	3/1998	Kelley	D12/209
D407,057 S	*	3/1999	Goplen	D12/211
D412,479 S	*	8/1999	Sacco et al.	D12/209

D432,479 S * 10/2000 Lee et al. D12/209

D432,970 S * 10/2000 Pfeiffer et al. D12/209

D436,568 S * 1/2001 Chung D12/209

D436,912 S * 1/2001 Boyer D12/211

* cited by examiner

Primary Examiner—Stacia Cadmus

(74) *Attorney, Agent, or Firm*—Crowell & Moring LLP

(57) **CLAIM**

The ornamental design for a front face of a vehicle wheel, as shown and described.

DESCRIPTION

FIG. 1 is a front view of a first embodiment of a front face of a vehicle wheel according to my novel design;

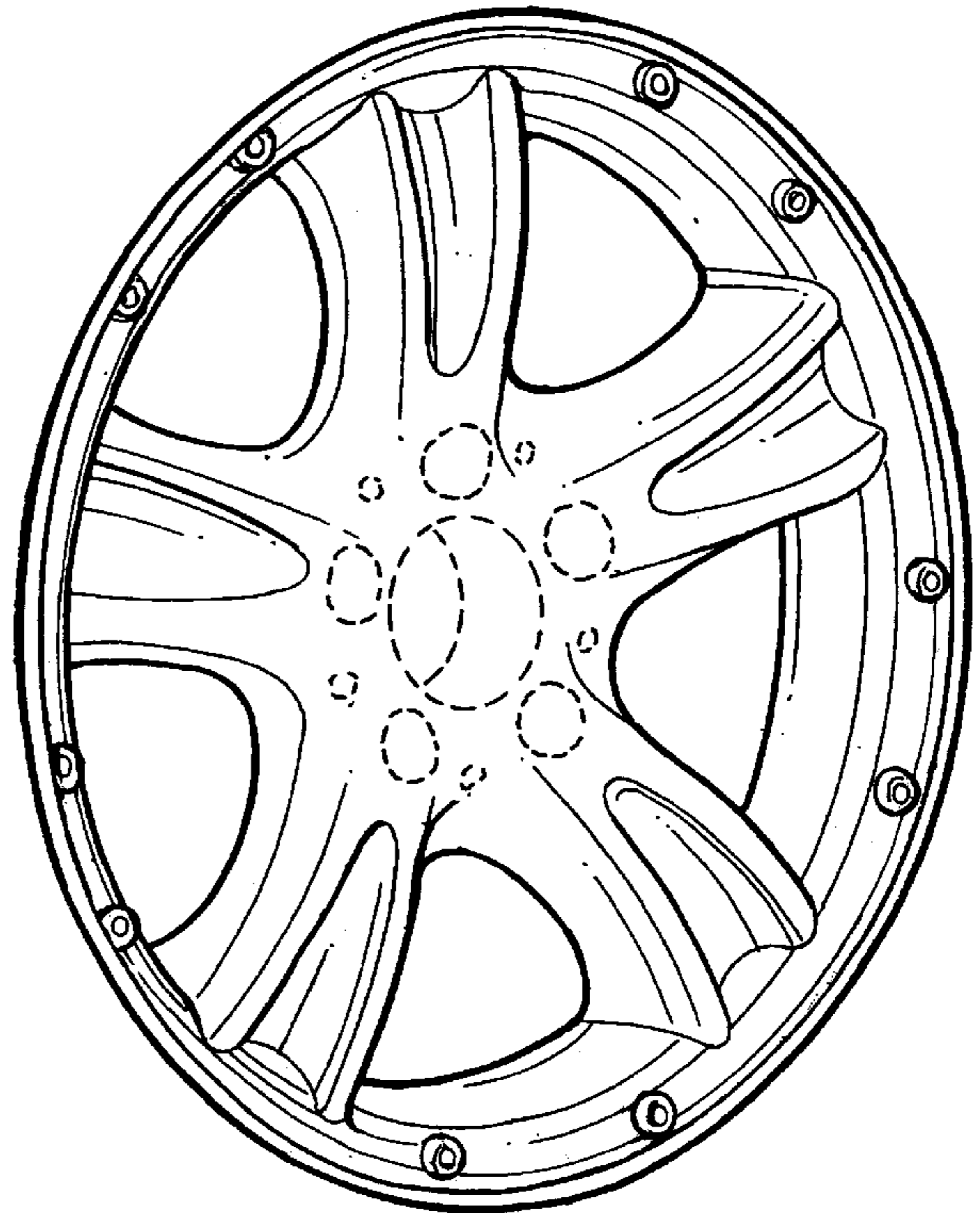
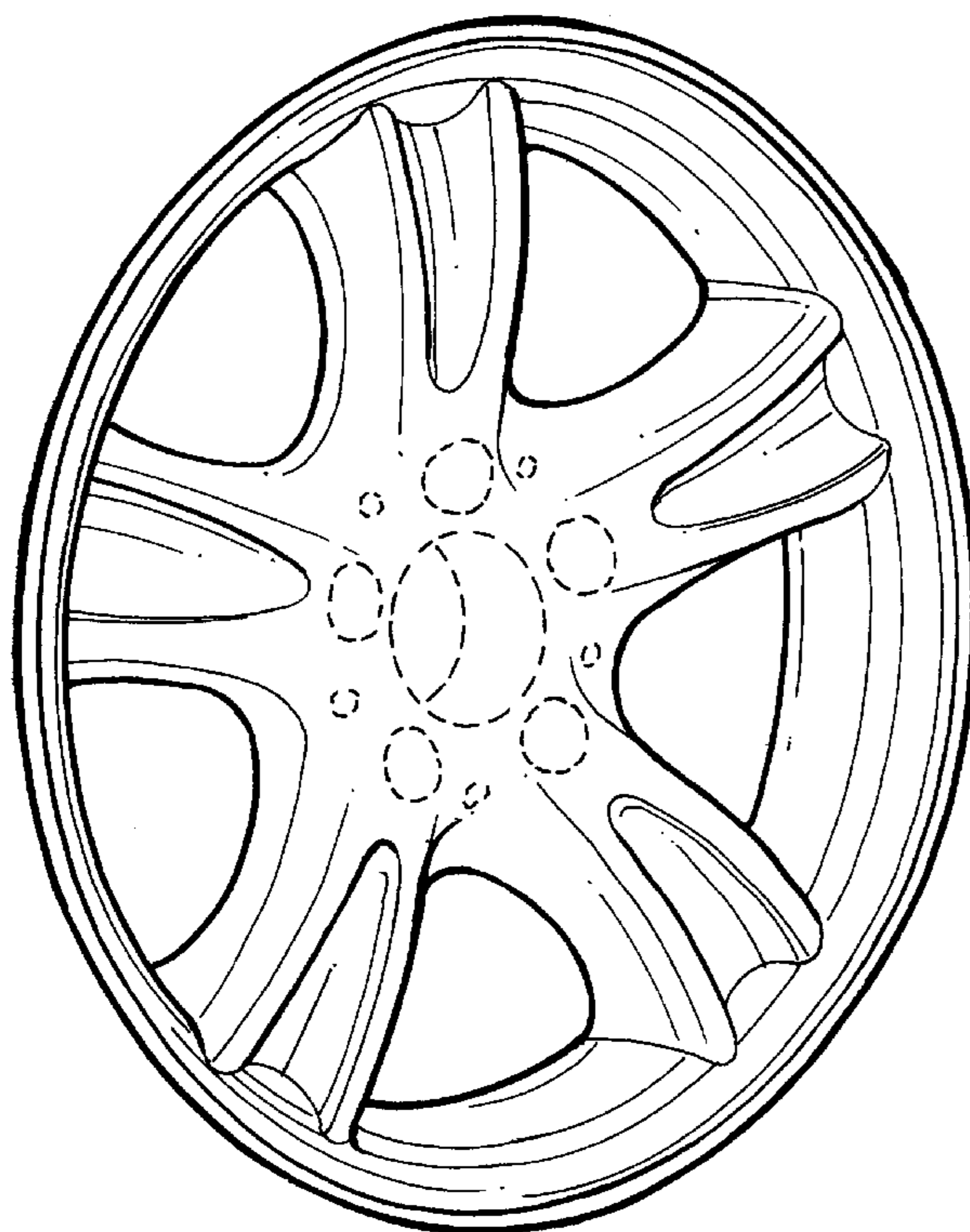
FIG. 2 is a perspective view of the first embodiment of the front face of a vehicle wheel according to my novel design;

FIG. 3 is a front view of a second embodiment of the front face of a vehicle wheel according to my novel design; and,

FIG. 4 is a perspective view of the second embodiment of the front face of a vehicle wheel according to my novel design.

The dash lines included depict environment and are not part of the claimed design.

1 Claim, 2 Drawing Sheets



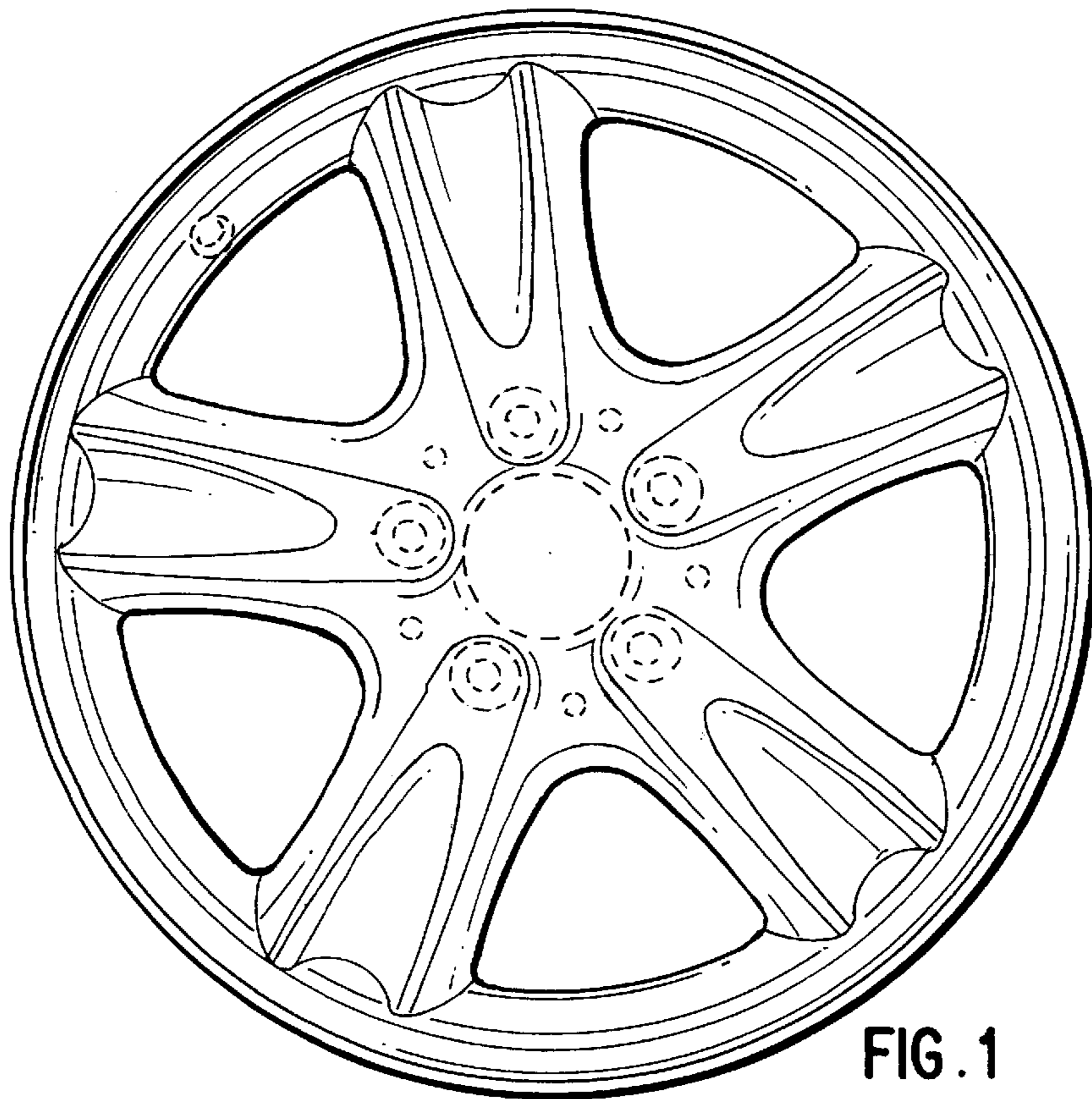


FIG. 1

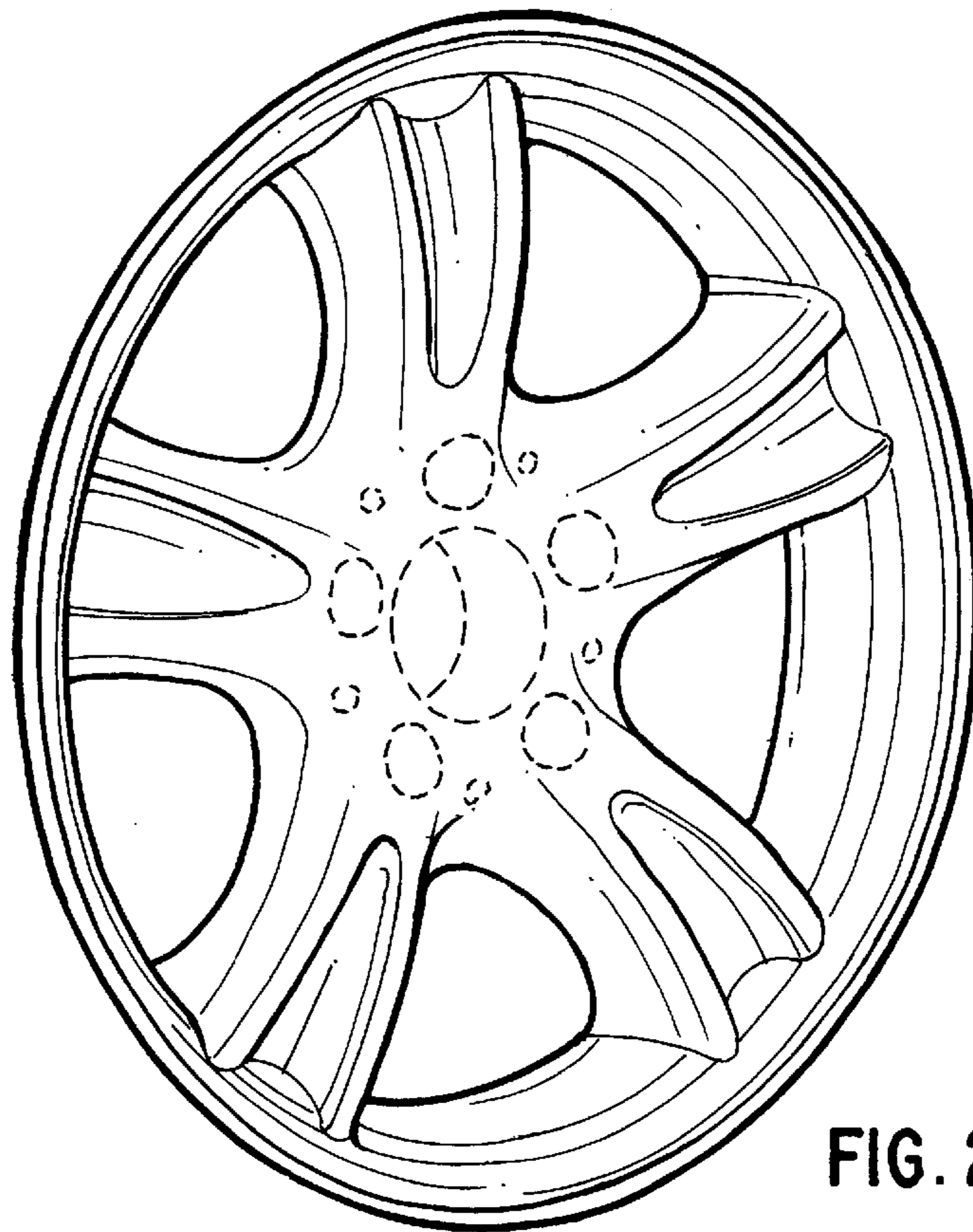


FIG. 2

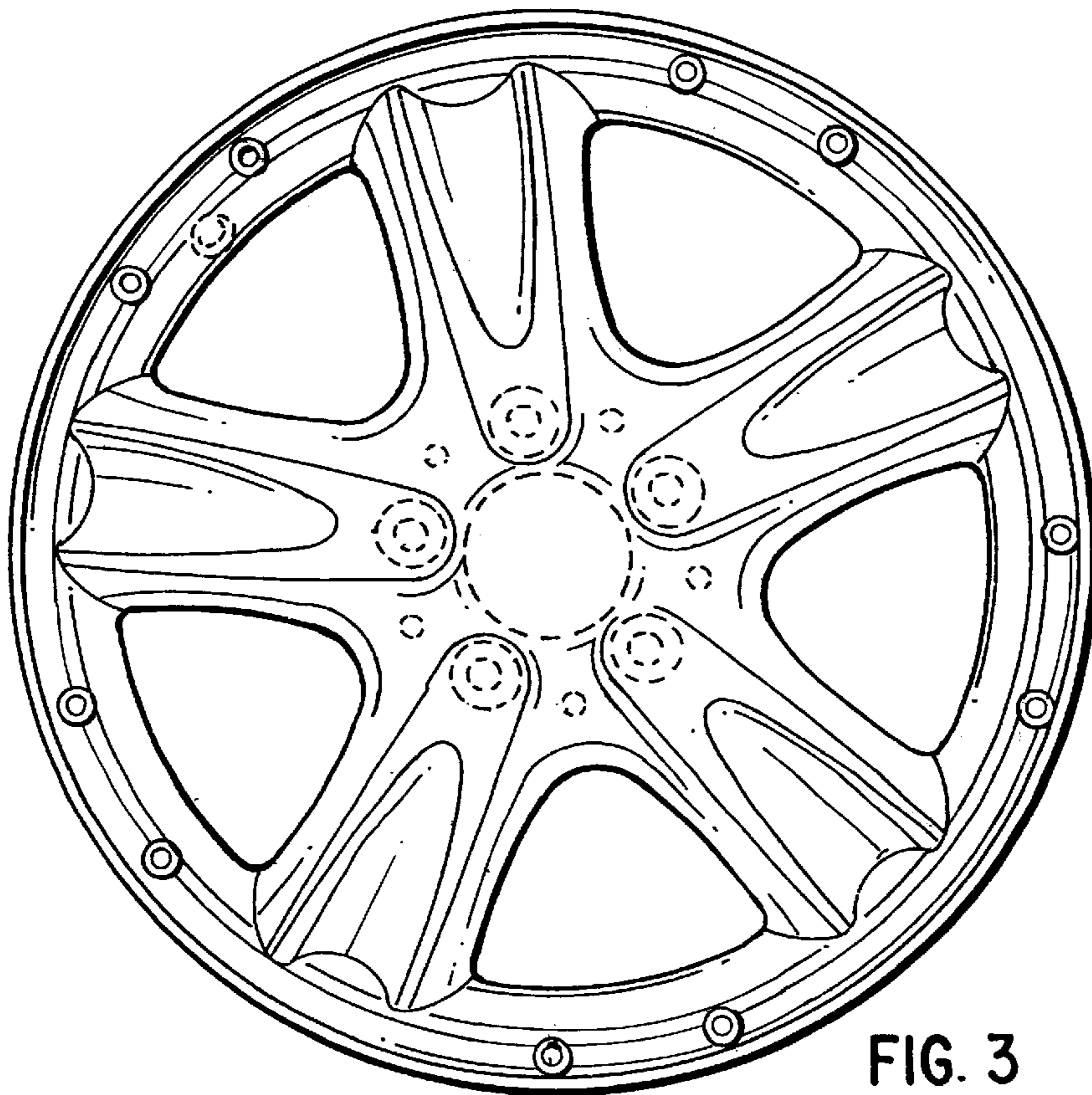


FIG. 3

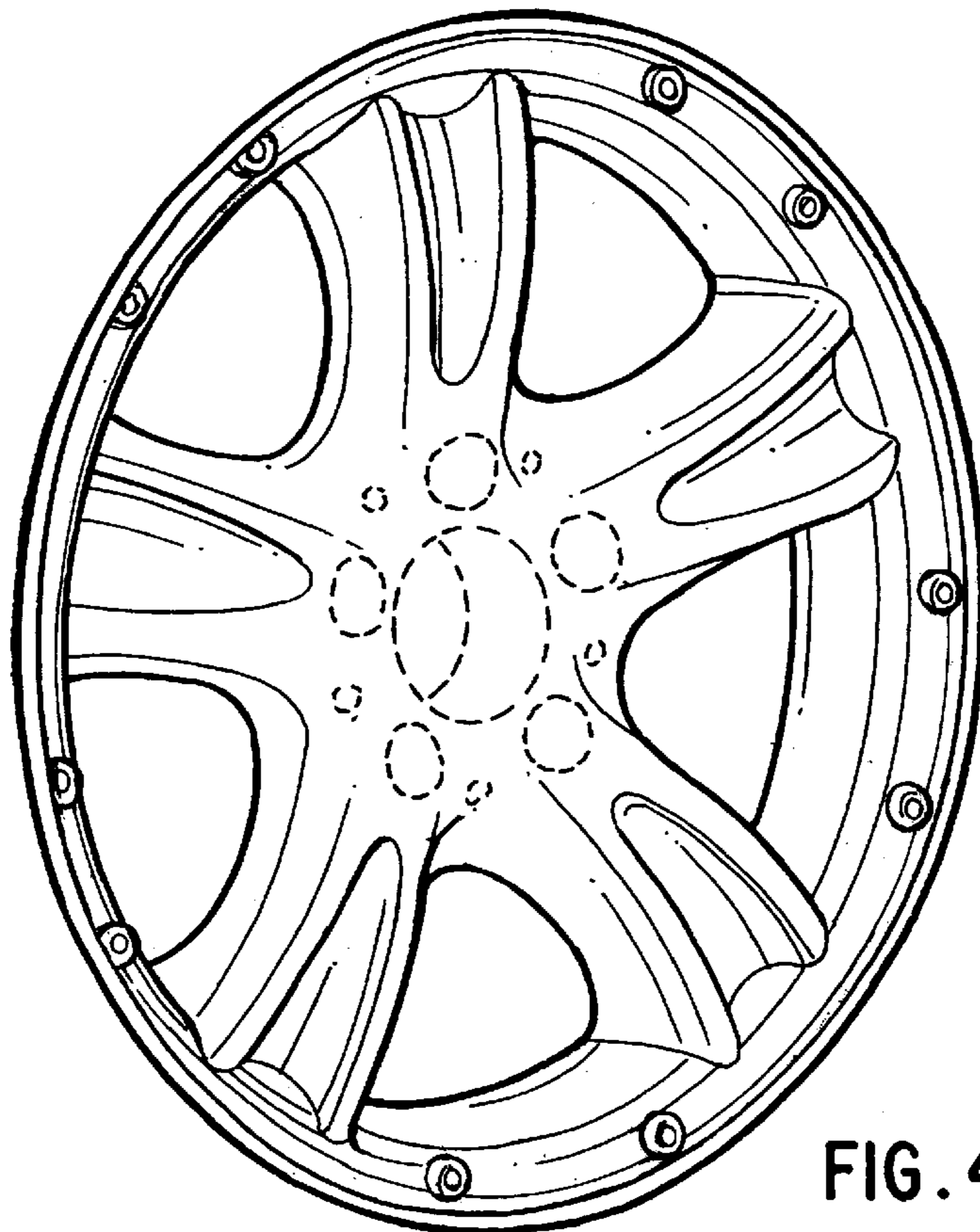


FIG. 4