



US00D467846S

(12) **United States Design Patent**
McGee

(10) **Patent No.:** **US D467,846 S**

(45) **Date of Patent:** **** Dec. 31, 2002**

(54) **TRIANGULAR MUFFLER**

(75) **Inventor:** **Charles Donald McGee**, Dana Point,
CA (US)

(73) **Assignee:** **Car Sound Exhaust Systems, Inc.**,
Rancho Santa Margarita, CA (US)

(**) **Term:** **14 Years**

(21) **Appl. No.:** **29/122,556**

(22) **Filed:** **Apr. 27, 2000**

(51) **LOC (7) Cl.** **12-16**

(52) **U.S. Cl.** **D12/194**

(58) **Field of Search** D12/194, 400;
181/227-229, 231-232, 240-245, 247,
256-257, 264, 282, 248-252; 29/890, 890.08;
60/317, 313, 323, 302, 299; 239/127; D15/5

(56) **References Cited**

U.S. PATENT DOCUMENTS

1,131,825 A	3/1915	Cochell	
1,489,422 A	4/1924	Brabant	
D159,863 S	8/1950	Russell	D12/194
D162,176 S	2/1951	Kaplan	D12/194
D165,986 S	2/1952	Koonter	D12/194
D167,485 S	8/1952	Sandler	D12/194
D174,138 S	3/1955	Russo	D12/194
D177,877 S	* 5/1956	Sandler	D12/194
D179,267 S	* 11/1956	Russell	D12/194
2,868,228 A	1/1959	Russell	138/46.5
2,868,229 A	1/1959	Russell	138/46.5
D184,642 S	* 3/1959	Russell	D12/194
2,909,235 A	10/1959	Beranek	181/42
2,975,854 A	3/1961	Bakke et al.	181/49

D197,175 S	12/1963	Gordon	D12/194
D246,038 S	* 10/1977	Moller	D12/194
D345,167 S	3/1994	Lee	D15/17
D363,908 S	11/1995	Maag	D12/194
D373,561 S	* 9/1996	Verlengiere	D12/194
D394,236 S	* 5/1998	Verlengiere	D12/194
D406,089 S	2/1999	Burns	D12/194

* cited by examiner

Primary Examiner—Stacia Cadmus

(74) *Attorney, Agent, or Firm*—J. Mark Holland

(57) **CLAIM**

The ornamental design for a triangular muffler, as shown and described.

DESCRIPTION

FIG. 1 is an isometric view of the triangular muffler of the present invention;

FIG. 2 is a front elevation view of the triangular muffler of FIG. 1;

FIG. 3 is a right elevation view of the triangular muffler of FIG. 1 which is identical to the left elevation view;

FIG. 4 is a rear elevation view of the triangular muffler of FIG. 1;

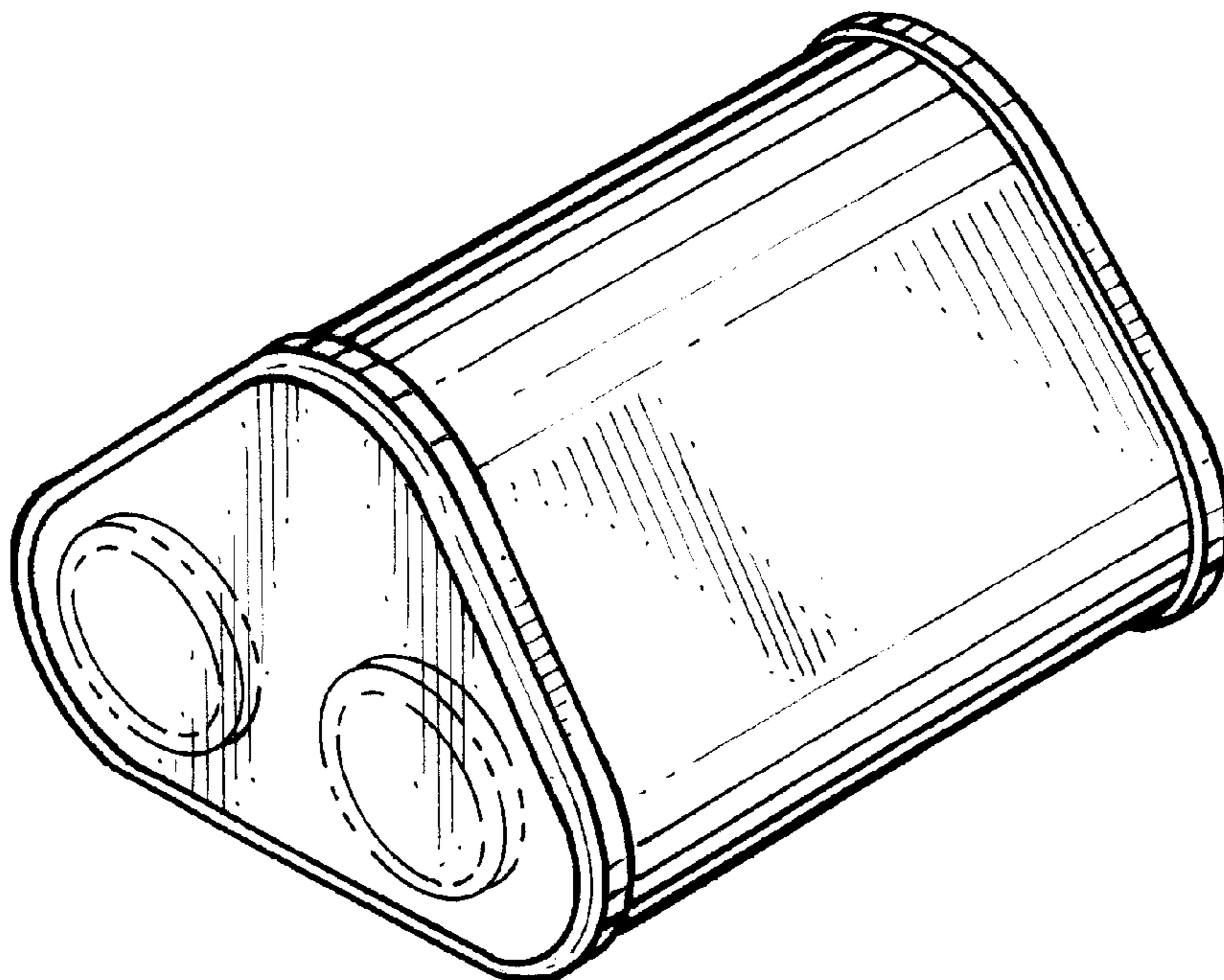
FIG. 5 is a top plan view of the triangular muffler of FIG. 1;

FIG. 6 is a bottom plan view of the triangular muffler of FIG. 1; and,

FIGS. 7-12 are additional perspective views of the triangular muffler of FIG. 1 with alternative environmental structure shown in broken lines.

Any broken line illustration is for illustrative purposes and forms no part of the claimed design.

1 Claim, 3 Drawing Sheets



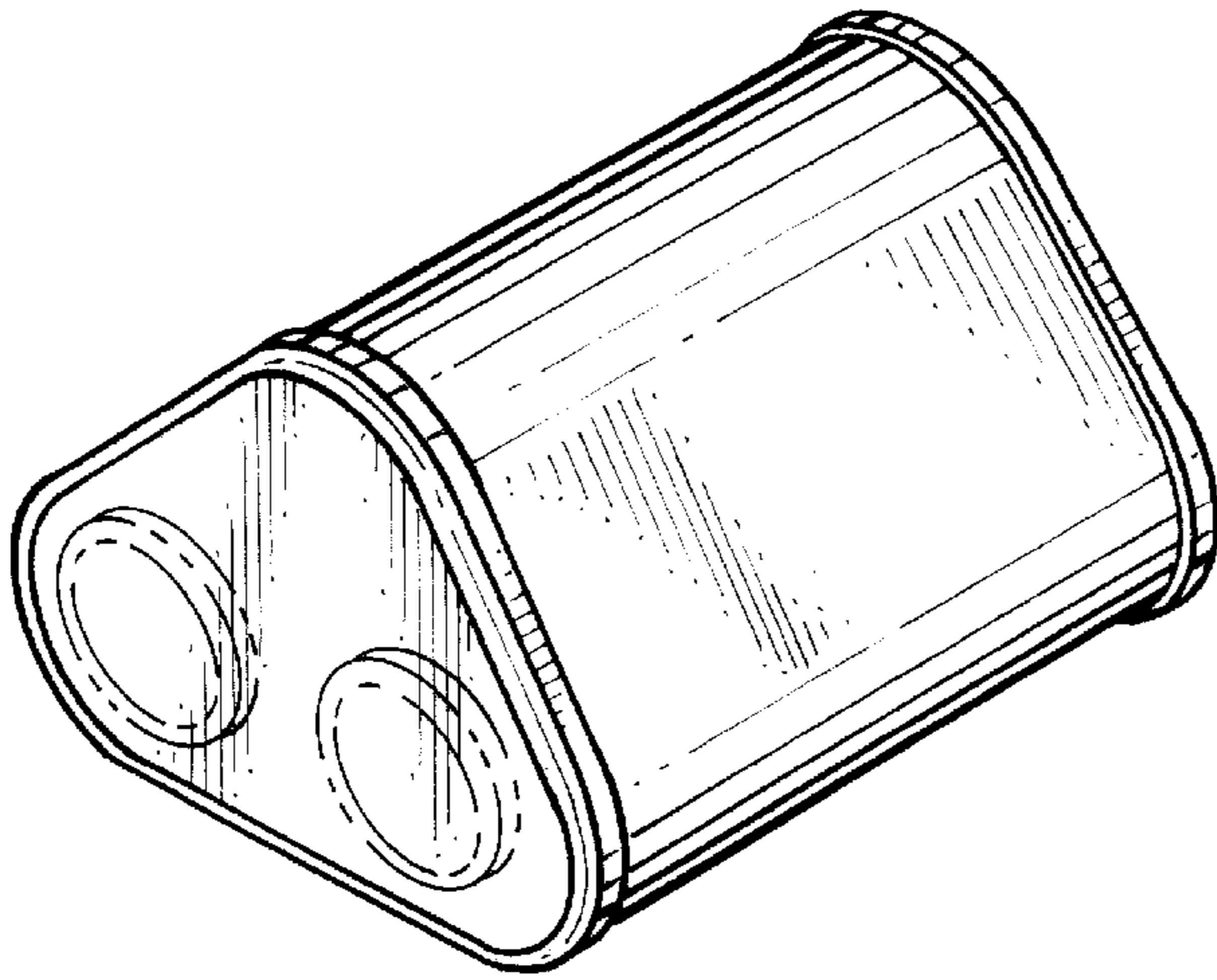


Fig. 1.

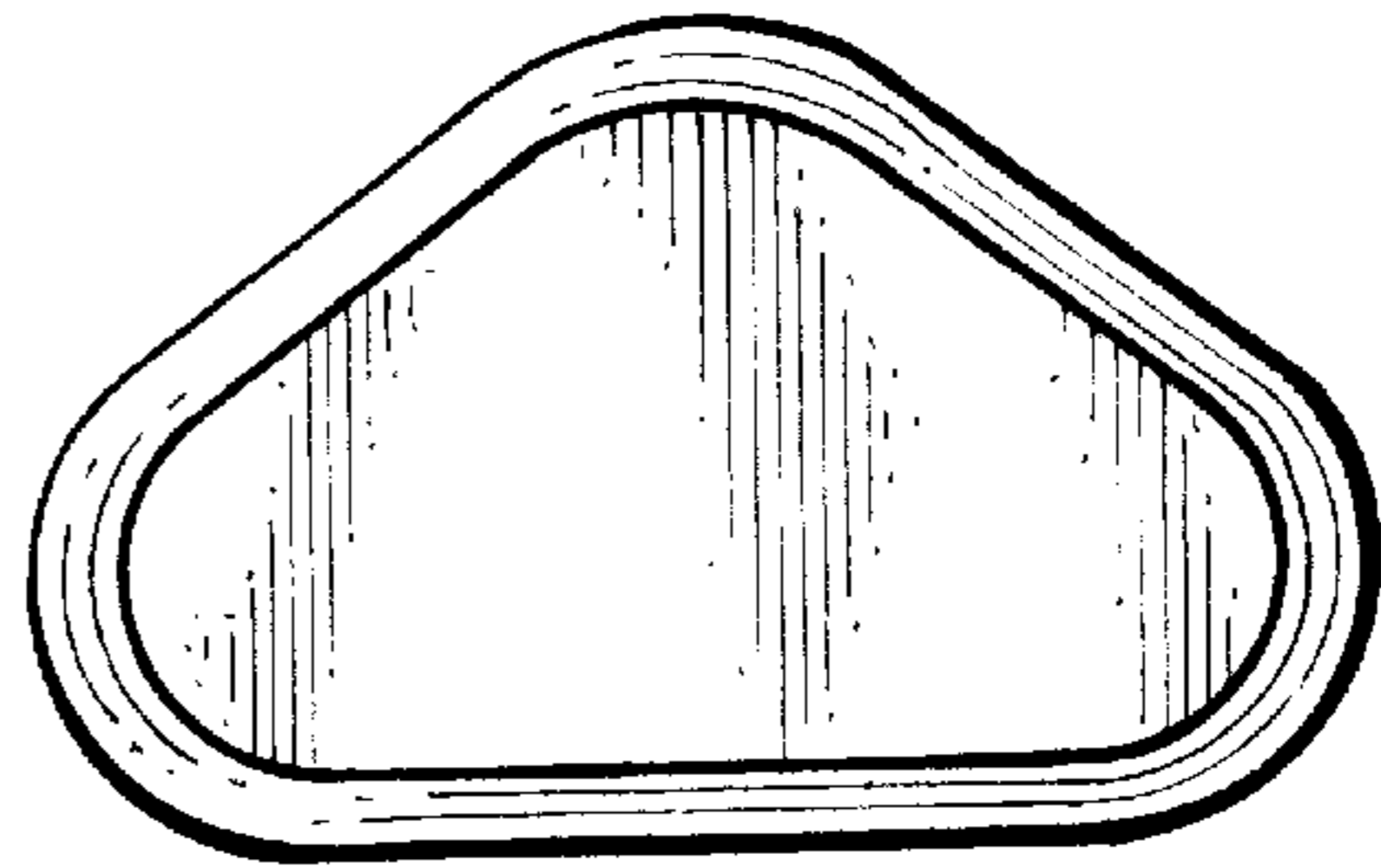


Fig. 2.

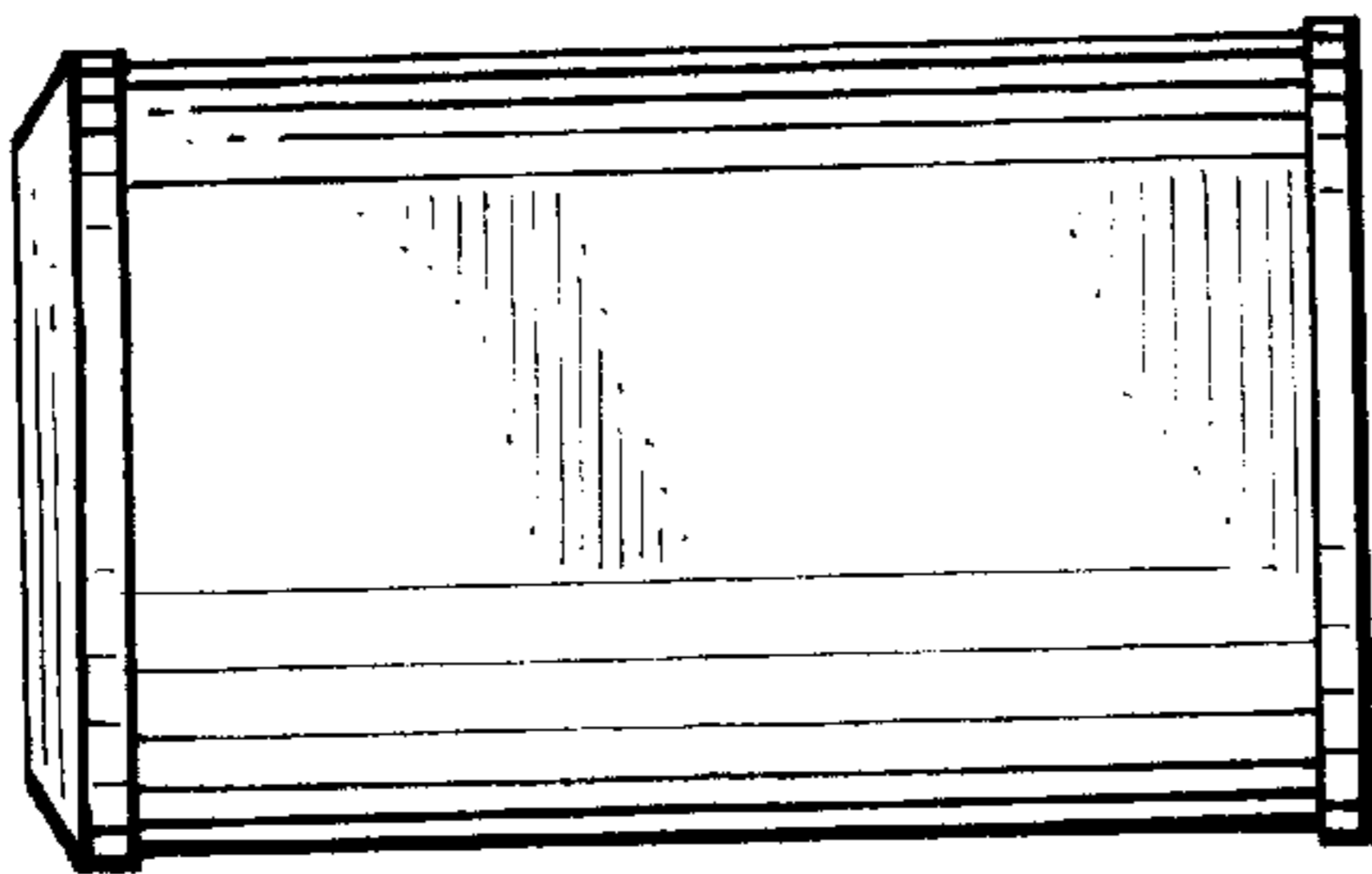


Fig. 3.

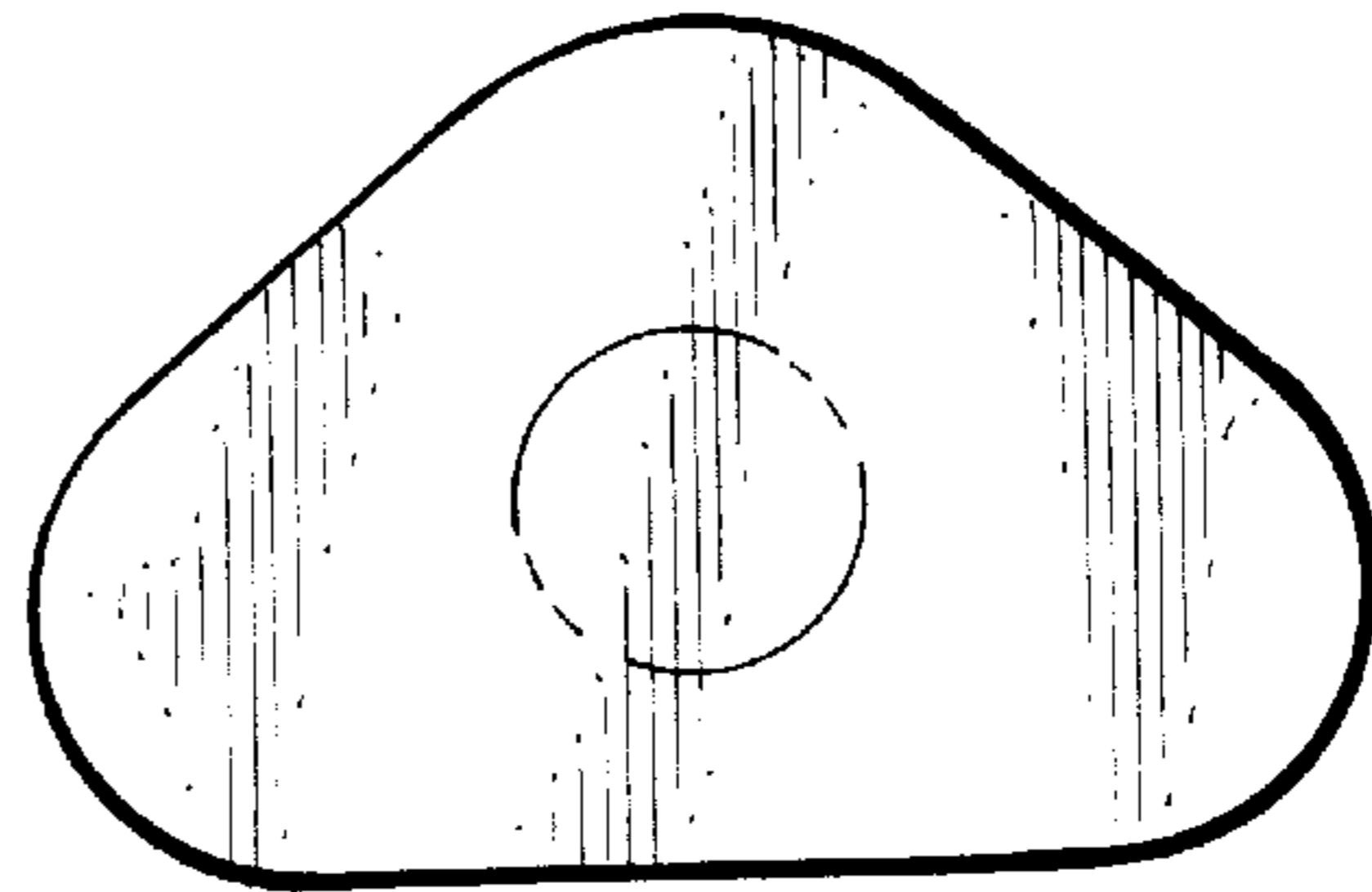


Fig. 4.

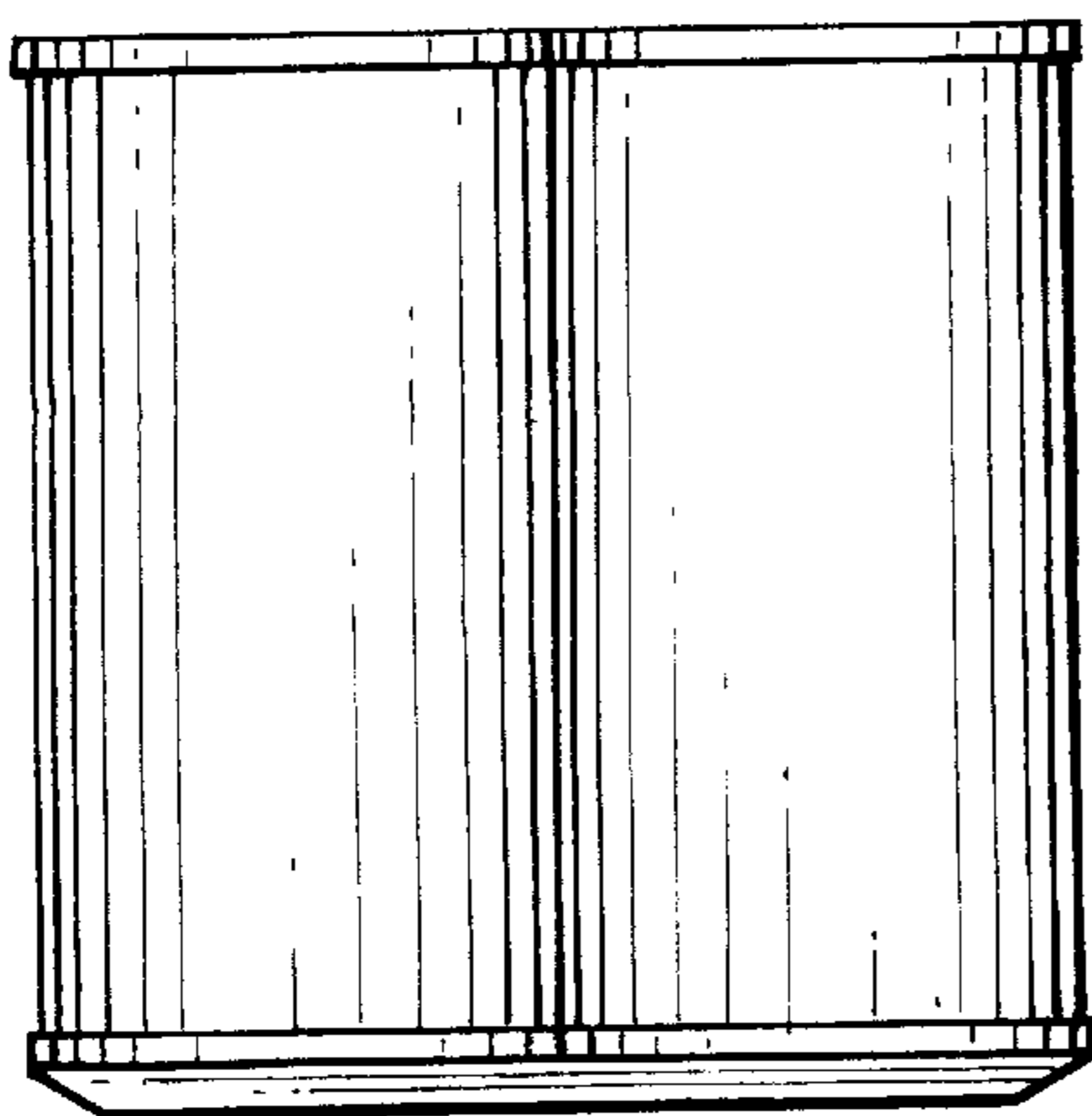


Fig. 5.

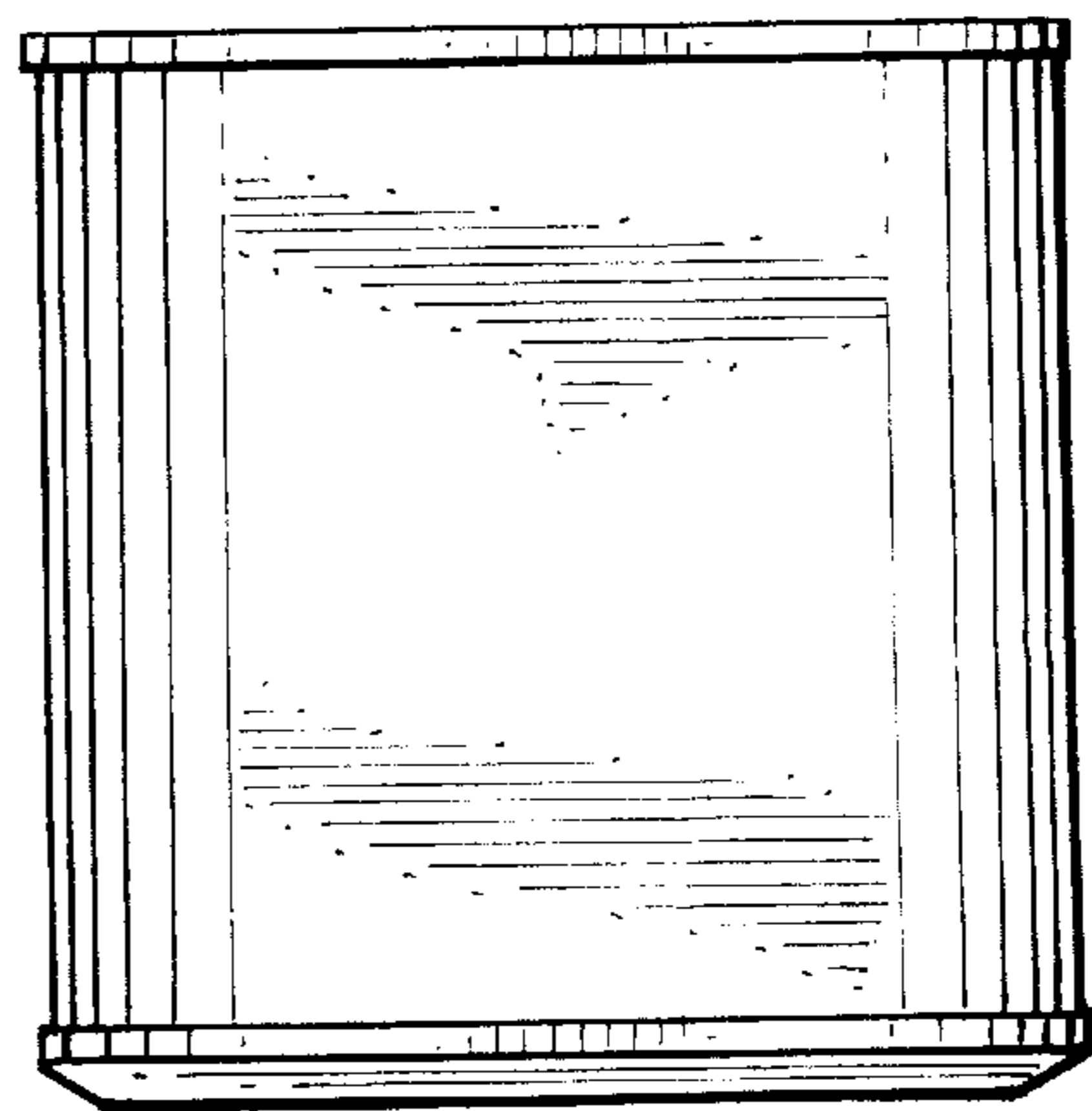


Fig. 6.

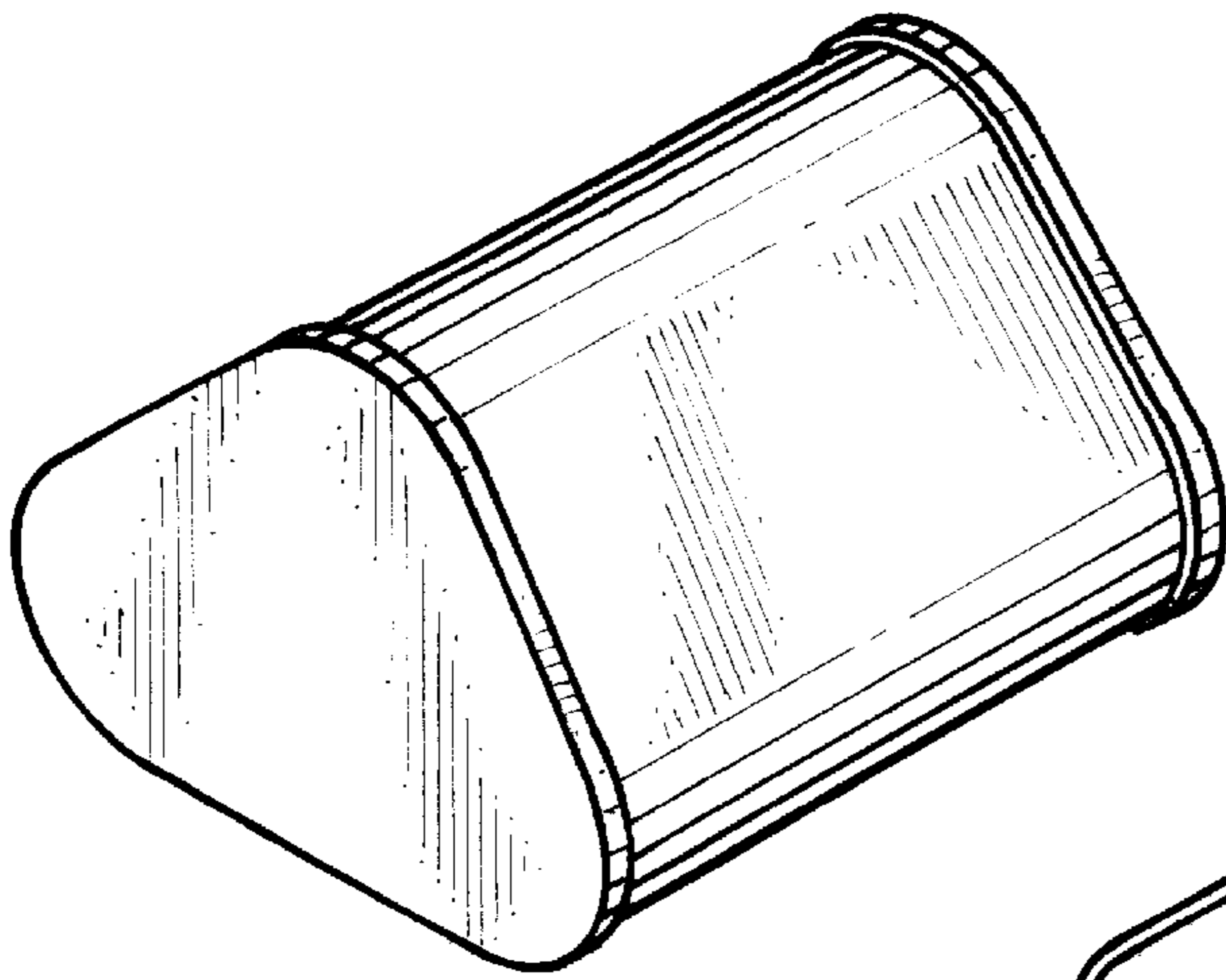


Fig. 7.

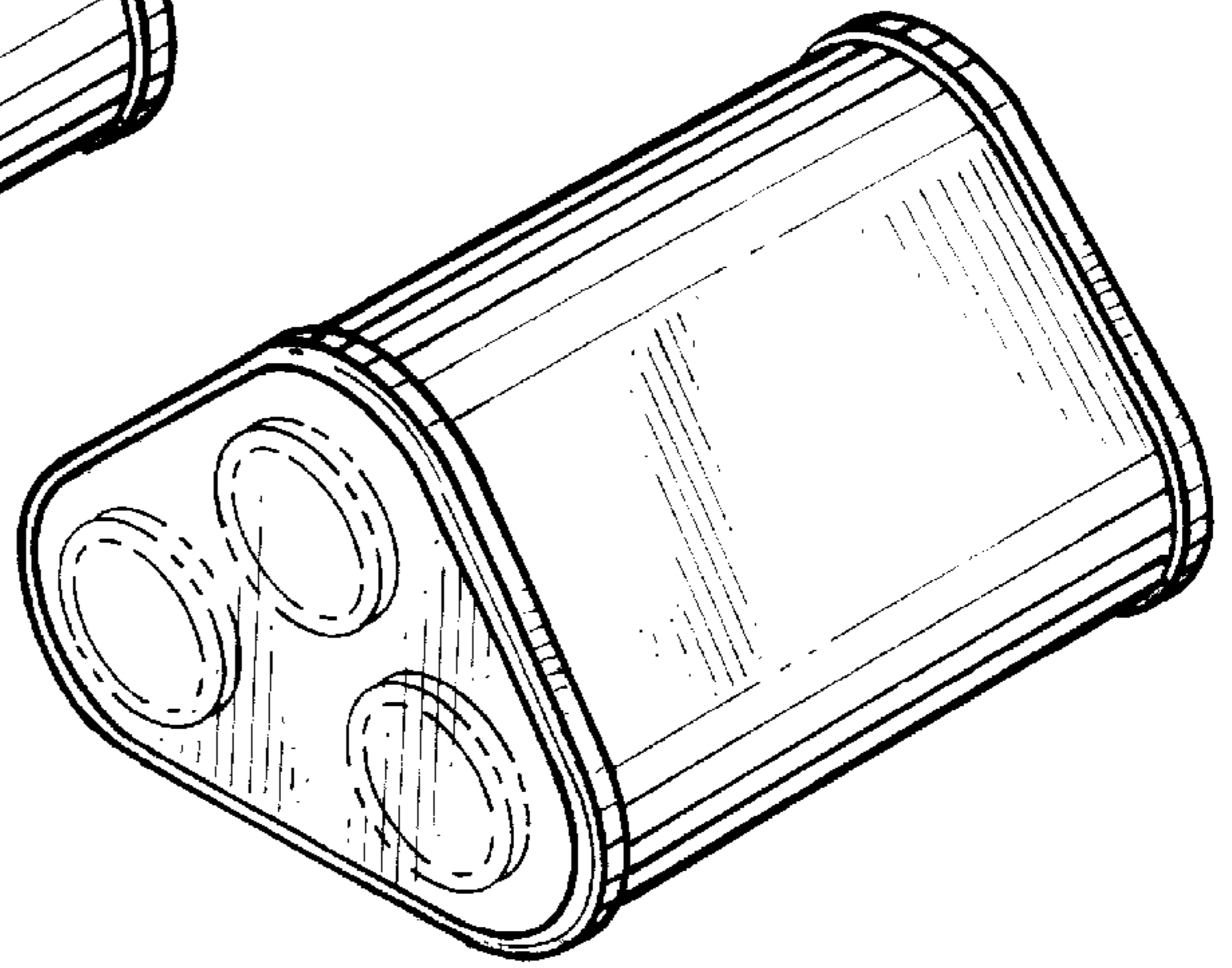


Fig. 8.

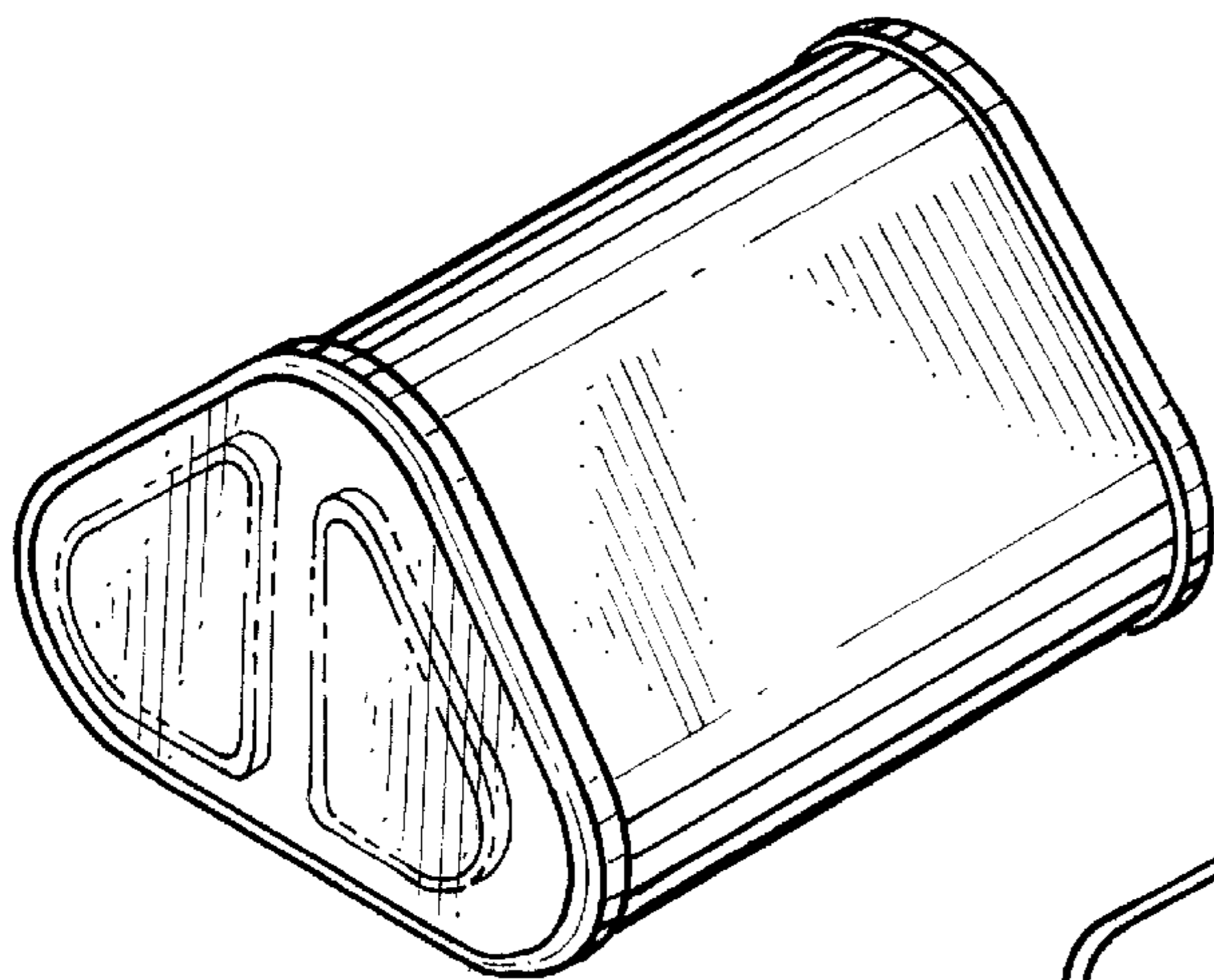


Fig. 9.

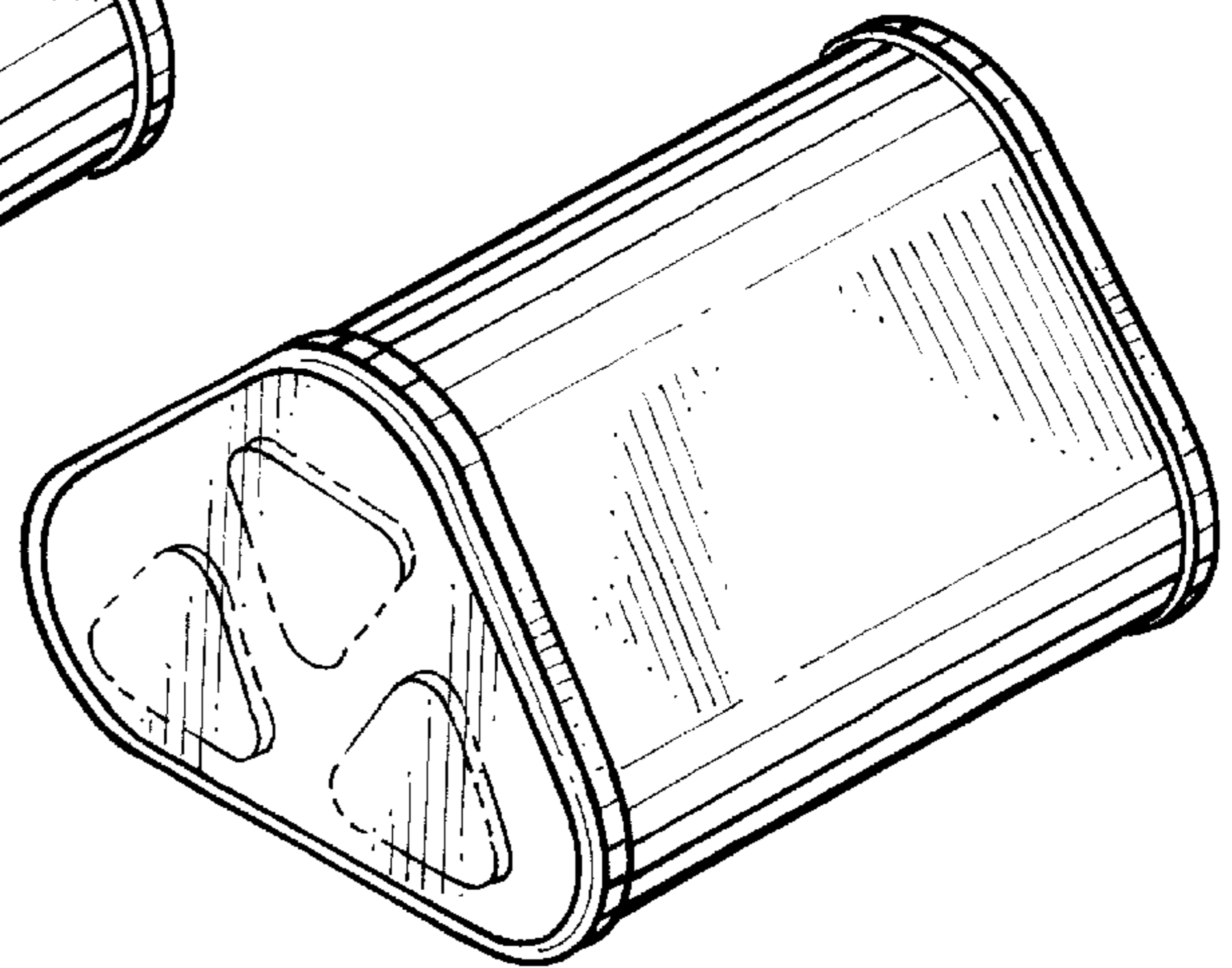


Fig. 10.

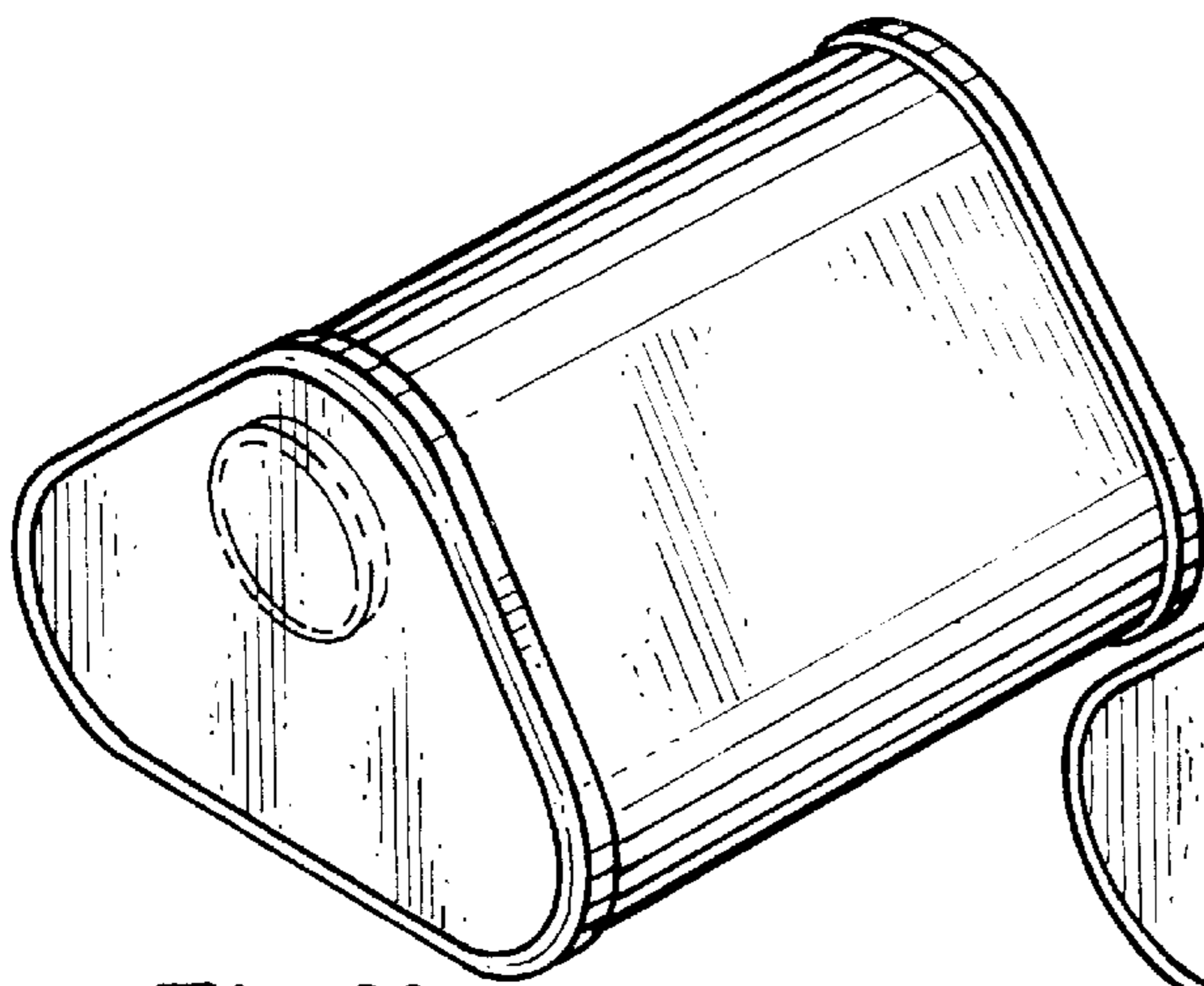


Fig. 11.

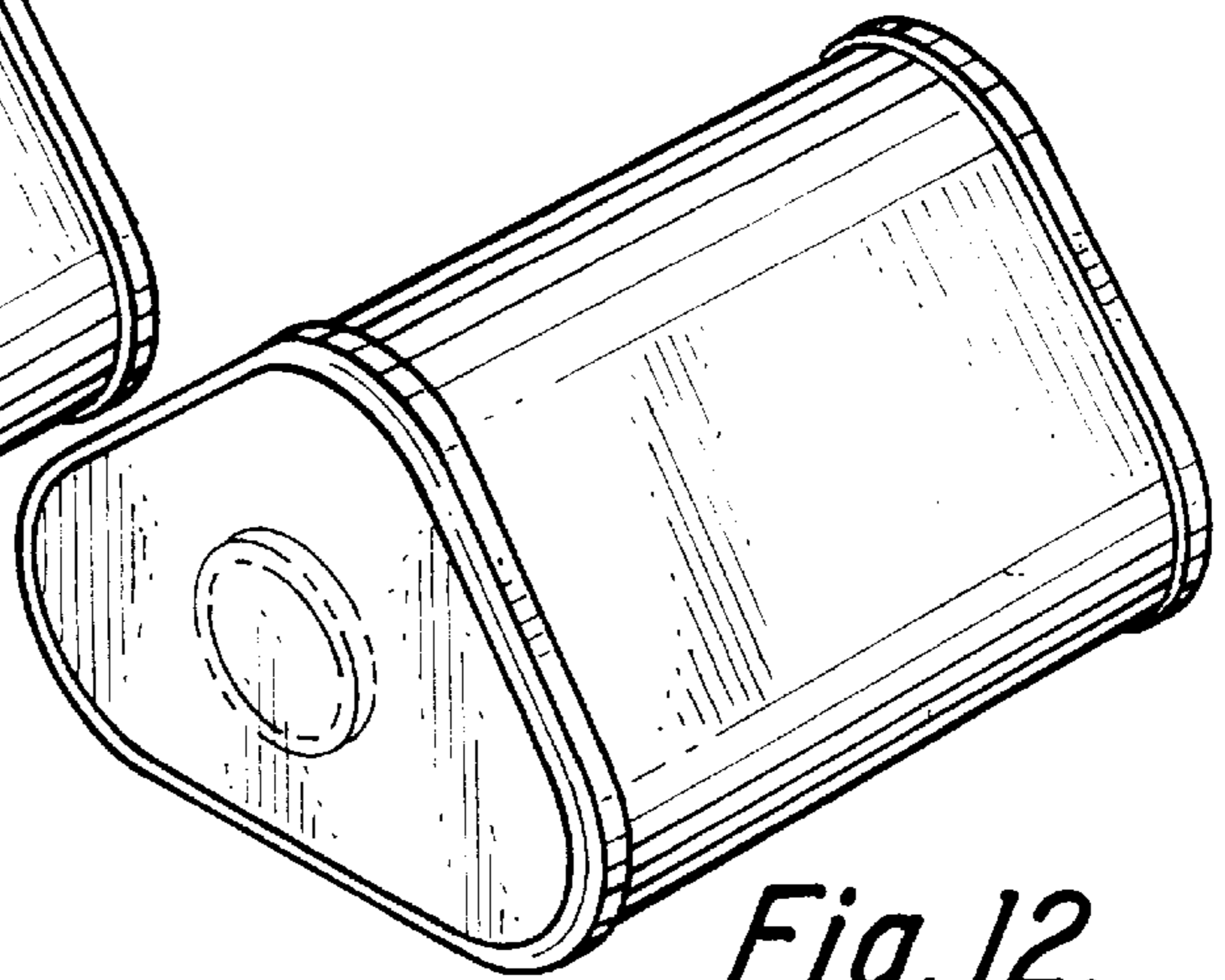


Fig. 12.